

US00D828666S

(12) **United States Design Patent** (10) **Patent No.:** **US D828,666 S**
Borovicka (45) **Date of Patent:** **** Sep. 11, 2018**

(54) **GRILL CLEANING TOOL**
(71) Applicant: **Charcoal Companion Incorporated,**
Berkeley, CA (US)
(72) Inventor: **Cory Thomas Borovicka,** Oakland, CA
(US)
(73) Assignee: **Charcoal Companion Incorporated,**
Berkeley, CA (US)
(**) Term: **15 Years**
(21) Appl. No.: **29/608,947**
(22) Filed: **Jun. 27, 2017**
(51) **LOC (11) Cl.** **07-05**
(52) **U.S. Cl.**
USPC **D32/40**
(58) **Field of Classification Search**
USPC D32/40-49; D7/683, 653; D8/11-13;
D4/116, 118
CPC A47L 17/00; B08B 1/00
See application file for complete search history.

D617,967 S * 6/2010 Lambert D32/46
D654,760 S * 2/2012 Hernandez D7/359
D664,318 S * 7/2012 Thompson D32/46
D664,319 S * 7/2012 Thompson D32/46
(Continued)

FOREIGN PATENT DOCUMENTS

CA 2023273 A1 2/1992

OTHER PUBLICATIONS

Amazon.com : Ultimate Cleaning BBQ Tool, oldest review Jul. 18, 2017, https://www.amazon.com/Ulimate-Cleaning-BBQ-Tool/dp/B0728C5VQN/ref=cm_cr_ar... site visited Feb. 28, 2018.*

(Continued)

Primary Examiner — John Windmuller
Assistant Examiner — John R Yeh
(74) *Attorney, Agent, or Firm* — Beeson Skinner Beverly, LLP

(57) **CLAIM**

The ornamental design for a grill cleaning tool, as shown and described.

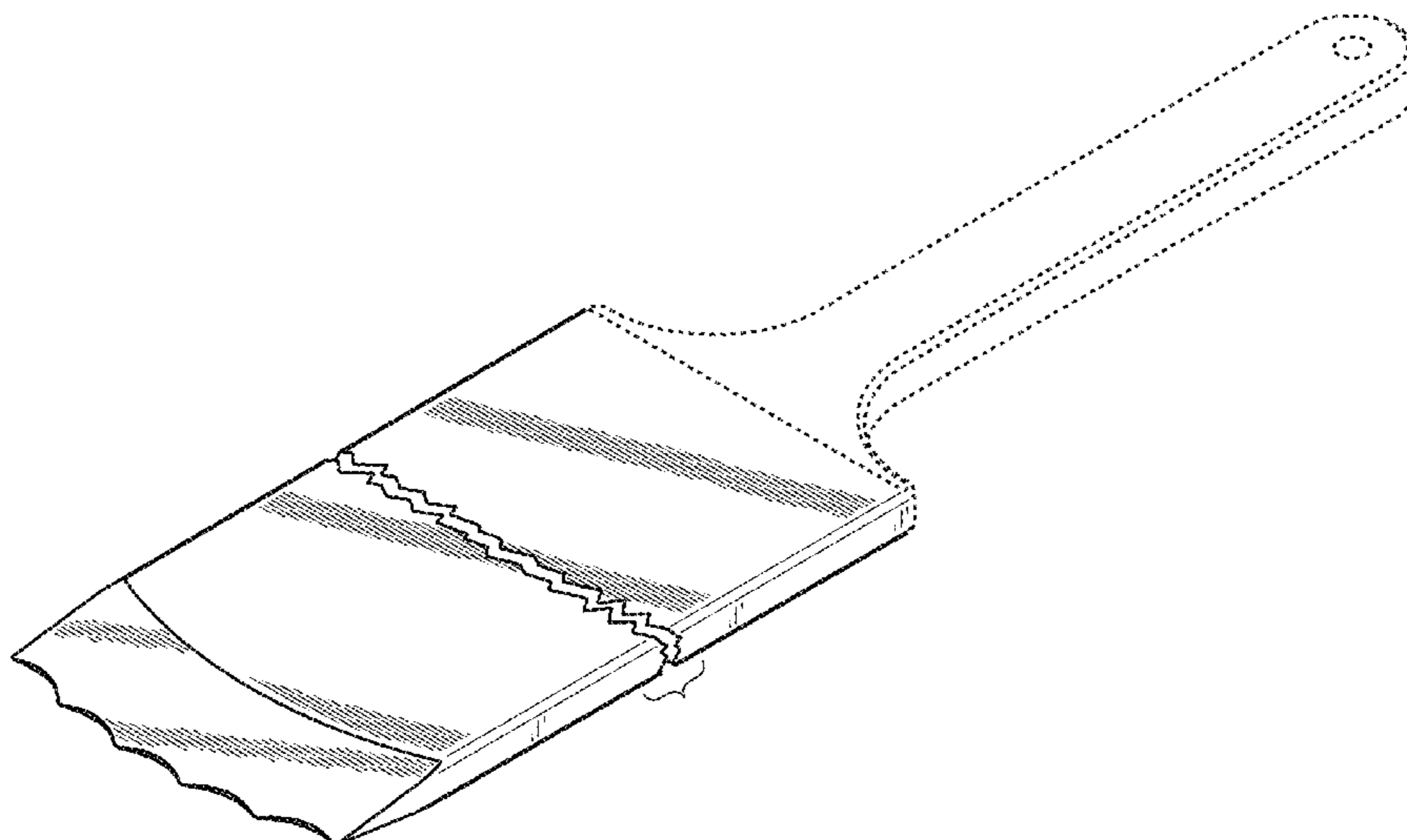
DESCRIPTION

FIG. 1 is an upper right front perspective view of a grill cleaning tool showing my new design; FIG. 2 is front elevational view thereof, the rear elevation view is unclaimed; FIG. 3 is a right side elevational view thereof, the left side elevational view being a mirror image thereof; and, FIG. 4 is a top plan thereof. The broken lines in FIGS. 1 to 4 showing the handle of the grill cleaning tool form no part of the claimed design. The broken away symbols in FIGS. 1, 3 and 4 indicate that any portion of the grill cleaning tool beyond what is shown forms no part of the claimed design.

1 Claim, 2 Drawing Sheets

(56) **References Cited**
U.S. PATENT DOCUMENTS

D17,295 S * 5/1887 Legler D32/42
3,229,316 A 1/1966 Matheson
3,765,275 A * 10/1973 Johnson A47J 43/28
15/105
D254,588 S * 4/1980 Hogue D32/49
D268,215 S * 3/1983 McBride D32/49
D280,036 S * 8/1985 Ulman D32/47
D304,892 S * 12/1989 Bevilacqua D32/46
D321,962 S * 11/1991 Roma D32/49
D324,747 S 3/1992 Rood
D358,491 S 5/1995 Hoagland
5,509,167 A * 4/1996 Wilson A47L 23/04
15/236.06
6,276,023 B1 8/2001 Grundy
D470,985 S * 2/2003 Zemel D32/48
D476,201 S * 6/2003 Atnip D8/11



(56)

References Cited

U.S. PATENT DOCUMENTS

8,741,068	B2	6/2014	Thompson	
D724,284	S *	3/2015	Warner	D32/40
D732,255	S *	6/2015	Edwins	D32/49
D762,337	S *	7/2016	Rognlien	A47L 13/12 D32/40
9,790,692	B2 *	10/2017	Bernicke-Grussing	E04F 21/1655
9,820,612	B2 *	11/2017	Thompson	A47L 17/06
2006/0048328	A1 *	3/2006	McIlree, Sr.	A47J 37/0786 15/236.06
2009/0188061	A1	7/2009	Cybulski	
2017/0203336	A1 *	7/2017	Rosenberger	B08B 1/005

OTHER PUBLICATIONS

Home Depot, <https://www.homedepot.com/p/Charcoal-Companion-Safe-Scrape-The-Non-Bristle-Grill-Cleaning-Tool-CC7332/>

300091707, oldest review Mar. 14, 2018, site visited Feb. 28, 2018.*

Safe Scrape Grill Cleaning Tool, website 2018, [https://www.steinmart.com/product/safe+scrape+grill+cleaning+tool+65269607.do?gdfi= . . .](https://www.steinmart.com/product/safe+scrape+grill+cleaning+tool+65269607.do?gdfi=. . .) site visited Feb. 28, 2018.*

Ultimate Cleaning BBQ Tool [online], site visited [Jun. 28, 2017]. Available from Internet URL: https://www.amazon.com/Great-Scrape-Woody-Paddle-Natural/dp/B013S1SM4I/ref=sr_1_3?ie=UTF8&qid=1498679621&sr=8-3.

Great Scrape The Woody Paddle All Natural BBQ Grill Scraper [online], site visited [Jun. 28, 2017]. Available from internet URL: https://www.amazon.com/Ultimate-Cleaning-BBQ-Tool/dp/B0728C5VQN/ref=sr_1_6?e=UTF8&qid=1498679621&sr=8-6.

Grill Hog Cedar BBQ GRill Scraper [online], site visited [Jun. 28, 2017]. Available from Internet URL: https://www.amazon.com/Grill-Hog-Cedar-BBQ-Scraper/dp/B06XCBPQNS/ref=sr_1_7?ie=UTF8&qid=1498679621&sr=8-7.

* cited by examiner

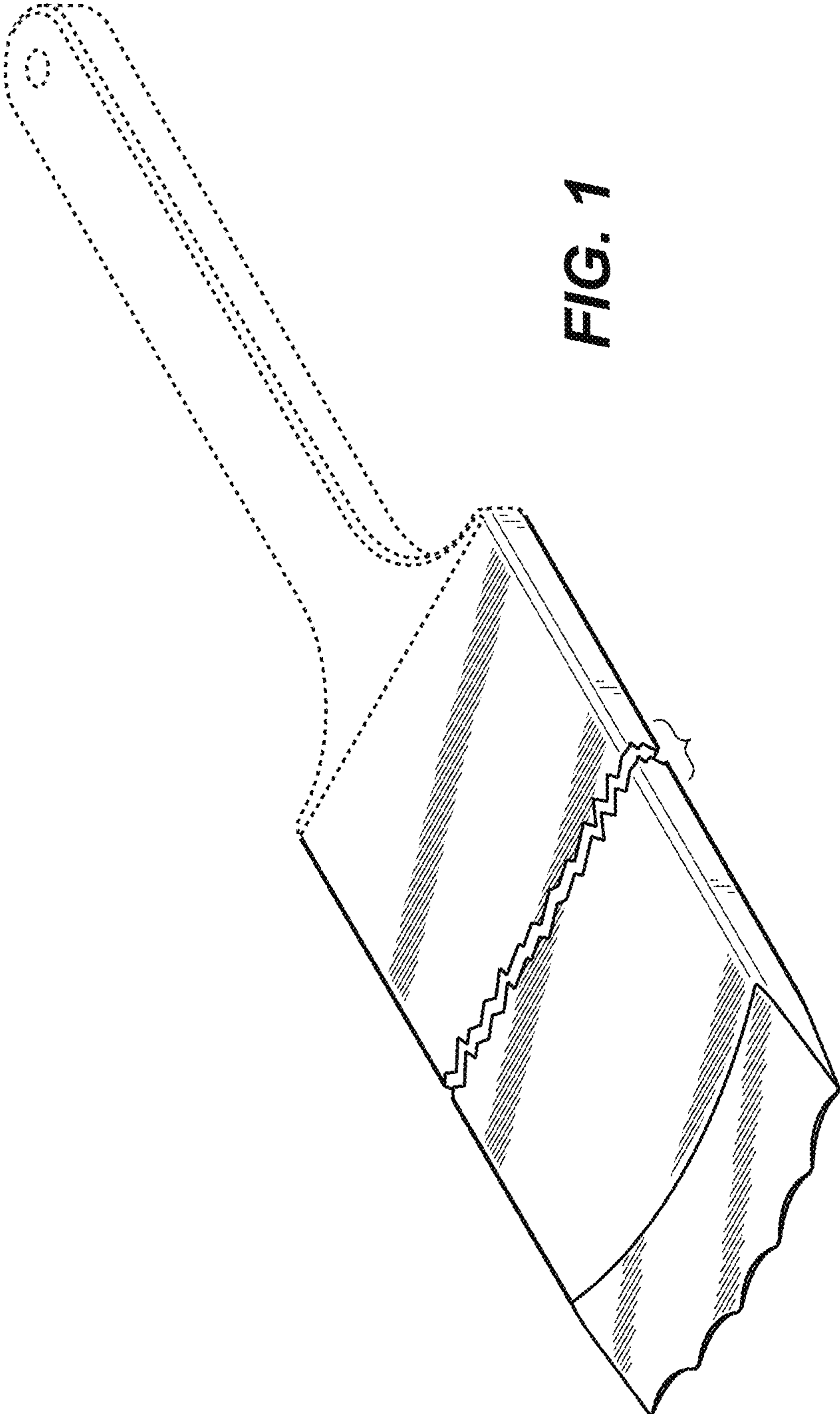




FIG. 2



FIG. 3

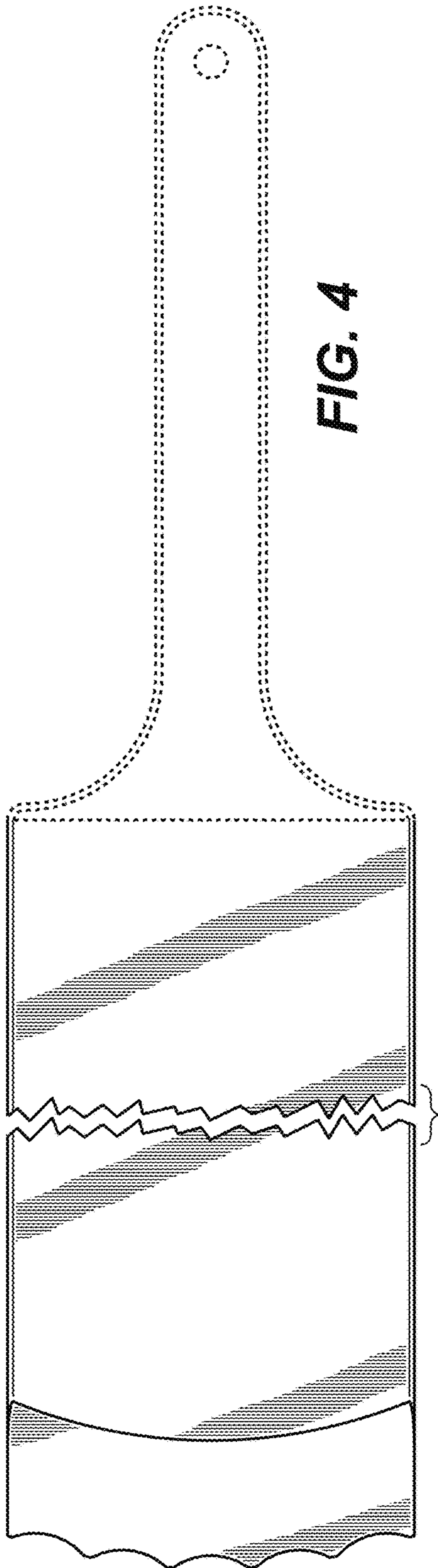


FIG. 4