



US00D828665S

(12) **United States Design Patent** (10) **Patent No.:** **US D828,665 S**
Helfert et al. (45) **Date of Patent:** **** Sep. 11, 2018**

(54) **WINDOW CLEANING APPLIANCE**
(71) Applicant: **Alfred Kaercher GmbH & Co. KG**,
Winnenden (DE)
(72) Inventors: **Matthias Helfert**, Winnenden (DE);
Michael Meyer, Schwaikheim (DE)
(73) Assignee: **Alfred Kaercher GmbH & Co. KG**,
Winnenden (DE)

D548,415 S * 8/2007 Libman D32/41
D588,767 S * 3/2009 Libman D32/41
D658,835 S * 5/2012 Houghton D32/45
D703,406 S * 4/2014 Meyer D32/41
D720,107 S * 12/2014 Meyer D32/41
D723,756 S * 3/2015 Goodman D32/41
D768,948 S * 10/2016 Baxter D32/18
D779,143 S * 2/2017 Sgroi, Jr. D32/46

(Continued)

(**) Term: **15 Years**
(21) Appl. No.: **29/562,823**
(22) Filed: **Apr. 29, 2016**

(30) **Foreign Application Priority Data**

Nov. 16, 2015 (WO) 935751001

(51) **LOC (11) Cl.** **07-05**

(52) **U.S. Cl.**
USPC **D32/40**

(58) **Field of Classification Search**
USPC D32/40-43, 45-46, 50-52
CPC A46B 11/00; A47L 11/34; A47L 13/22;
A47L 13/24; A47L 13/20; A47L 13/256
See application file for complete search history.

(56) **References Cited**

U.S. PATENT DOCUMENTS

D152,375 S * 1/1949 Seley D32/41
D301,069 S * 5/1989 Benson D26/2
D360,505 S * 7/1995 Goodman D32/41
5,680,668 A * 10/1997 Kim A47L 1/16
15/236.02
D391,712 S * 3/1998 Immerman D32/41
D427,335 S * 6/2000 Noll D26/2
D458,427 S * 6/2002 Kunkler D32/45
D487,830 S * 3/2004 Snell D32/41
6,738,565 B2 * 5/2004 Choi H01J 5/48
313/318.07

OTHER PUBLICATIONS

AmazonSmile : Karcher WV 50 Plus Window Vac, review Feb. 4,
2013, <https://smile.amazon.com/Karcher-Plus-Window-Streak-Free-Shine/dp/B00LIVCCNI/ref=s...>, site visited Jan. 3, 2018.*

(Continued)

Primary Examiner — Eric L Goodman
Assistant Examiner — John R Yeh

(74) *Attorney, Agent, or Firm* — Lipsitz & McAllister,
LLC

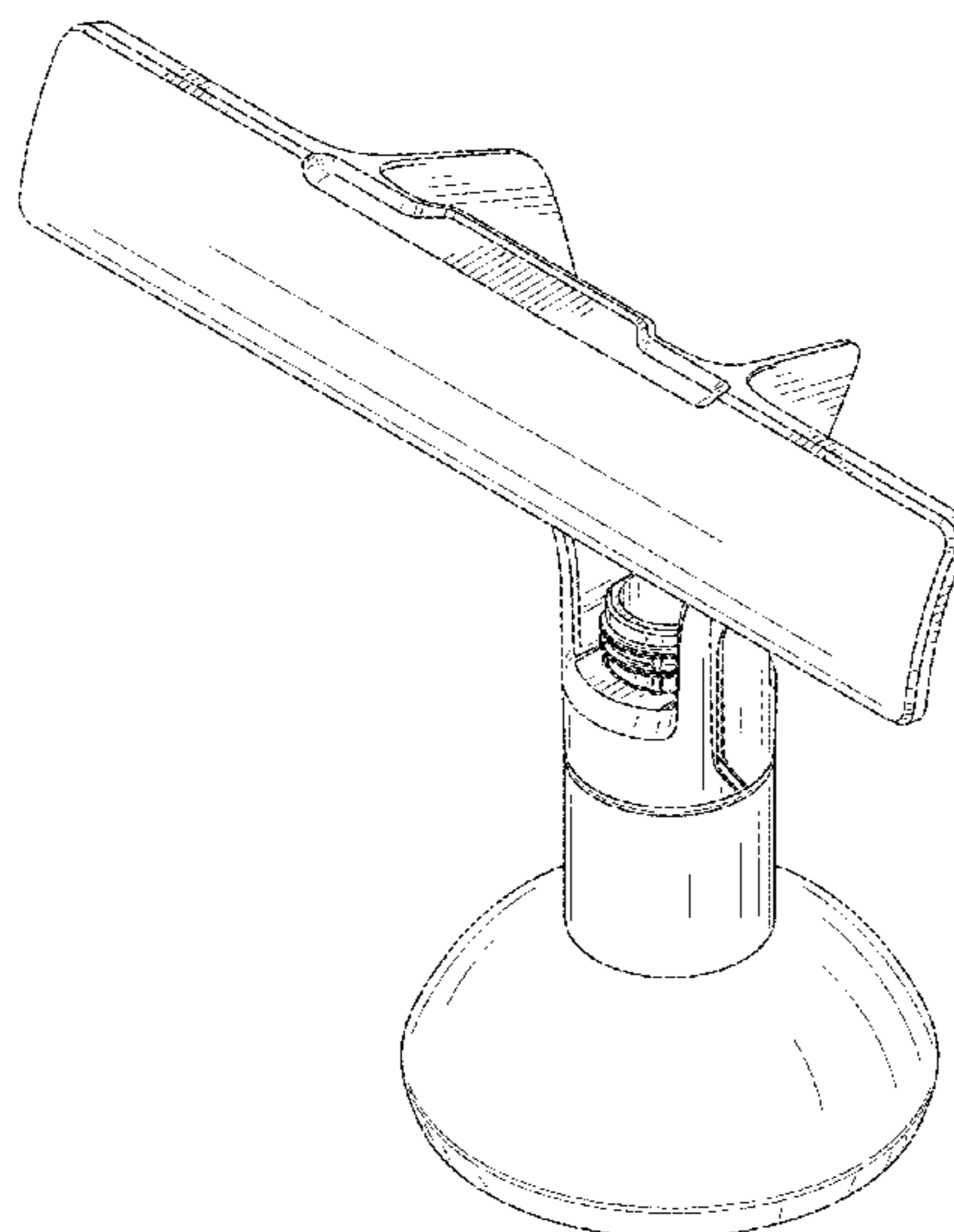
(57) **CLAIM**

The ornamental design for a window cleaning appliance, as
shown and described.

DESCRIPTION

FIG. 1 is a front, top and left side perspective view of a
window cleaning appliance showing the new design;
FIG. 2 is a front, top and right side perspective view thereof;
FIG. 3 is a front elevational view thereof;
FIG. 4 is a left side elevational view thereof;
FIG. 5 is a rear elevational view thereof;
FIG. 6 is a right side elevational view thereof; and,
FIG. 7 is a top plan view thereof.
The broken lines in the figures represent portions of the
window cleaning appliance that form no part of the claimed
design.

1 Claim, 7 Drawing Sheets



(56)

References Cited

U.S. PATENT DOCUMENTS

D787,144 S * 5/2017 Thompson D32/41
2006/0188319 A1* 8/2006 Nebesnak A47L 1/08
401/139
2010/0327729 A1* 12/2010 Lamouri H01K 1/38
313/113

OTHER PUBLICATIONS

Fruugo, Karcher Window Washing WV5 Premium, <https://www.fruugo.us/karcher-window-washing-wv5-premium/p-10654786-22476704?gclid=...>, site visited Jan. 3, 2018.*

Extract from catalog of Alfred Kaercher GmbH & Co. KG, "Programme 2011 Kaercher Home and Garden", cover, p. 124 and last page (Nov. 2010).

Extract from catalog of Alfred Kaercher GmbH & Co. KG, "Programme 2012 Kaercher Home and Garden", cover, page 107 and last page (Oct. 2011).

Extract from catalog of Alfred Kaercher GmbH & Co. KG, "Programme 2013 Kaercher Home and Garden", cover, pp. 103, 104 and last page (Oct. 2012).

Extract from catalog of Alfred Kaercher GmbH & Co. KG, "Programme 2014 Kaercher Home and Garden", cover, pp. 89-91 and last page (Oct. 2013).

Extract from catalog of Alfred Kaercher GmbH & Co. KG, "Programme 2015 Home and Garden", cover, pp. 95-98, and last page (Oct. 2014).

* cited by examiner

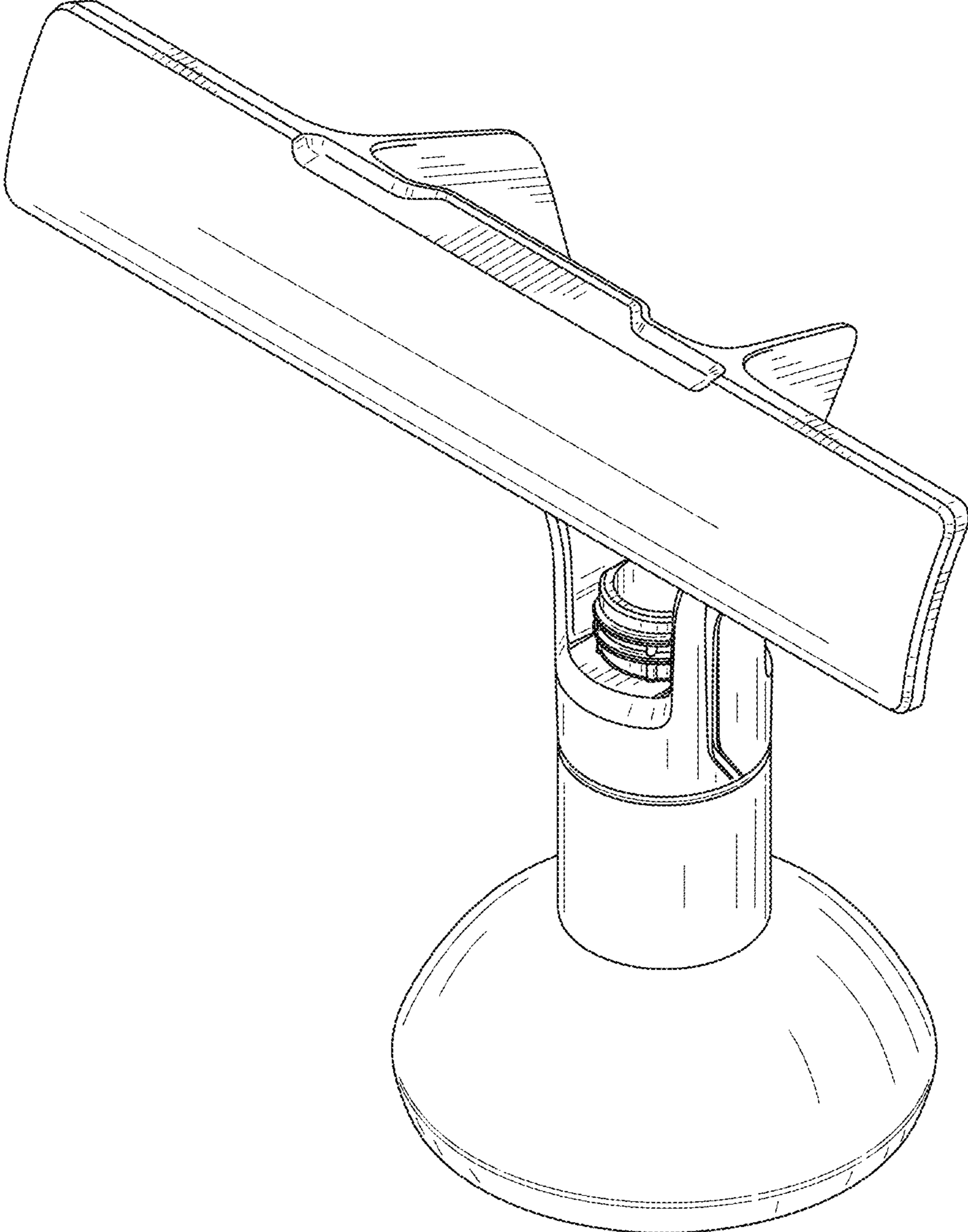


FIG. 1

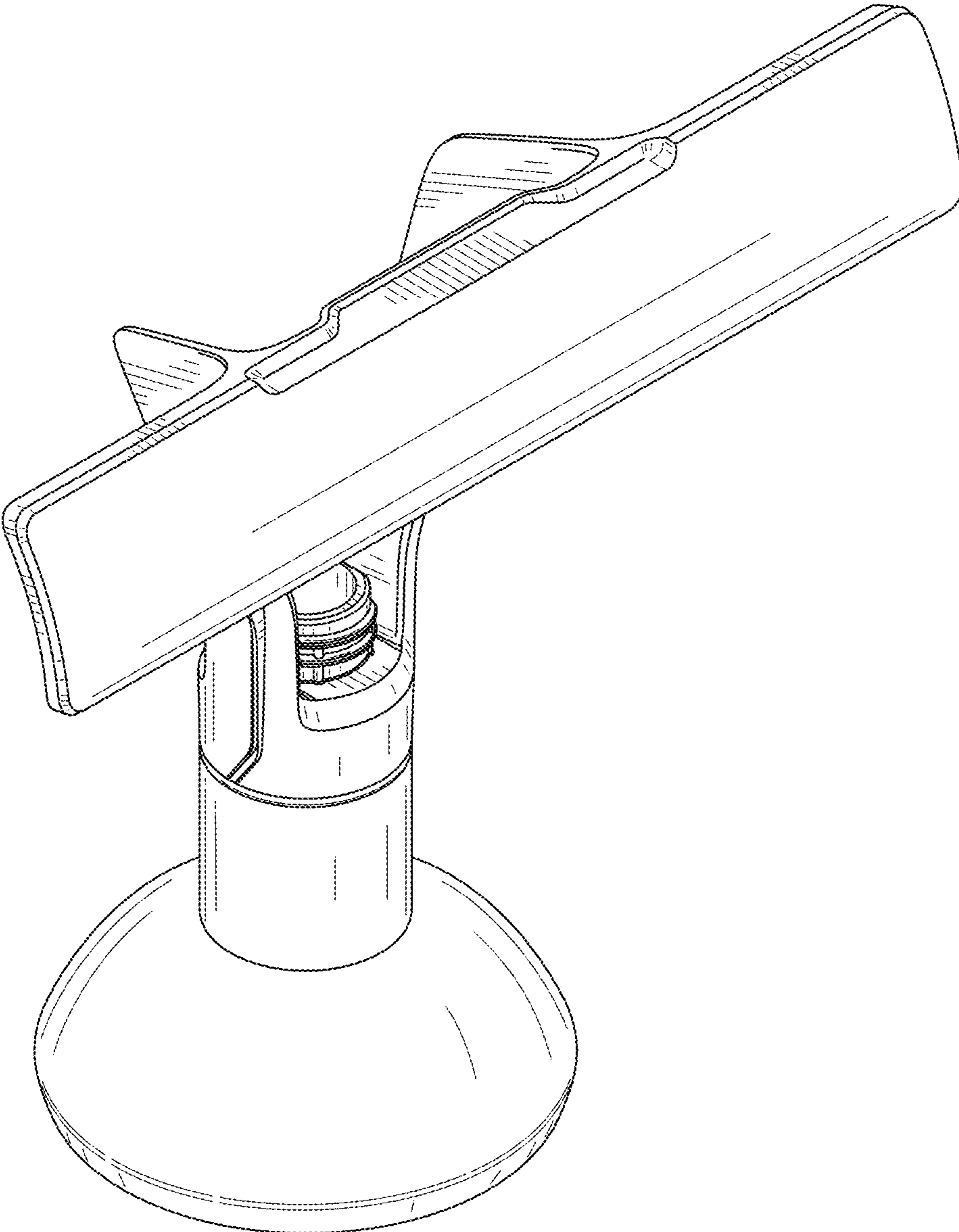


FIG. 2

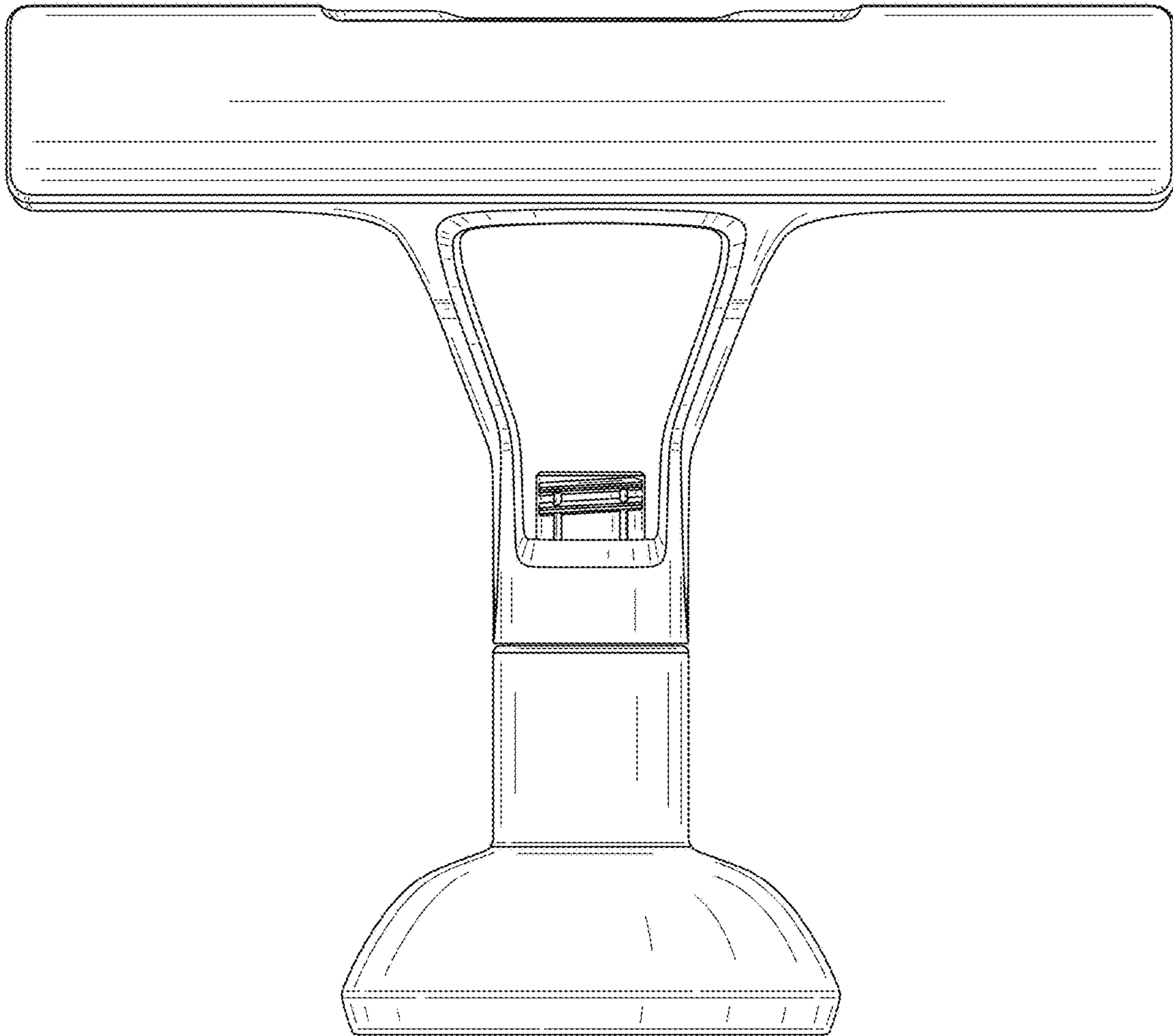


FIG. 3

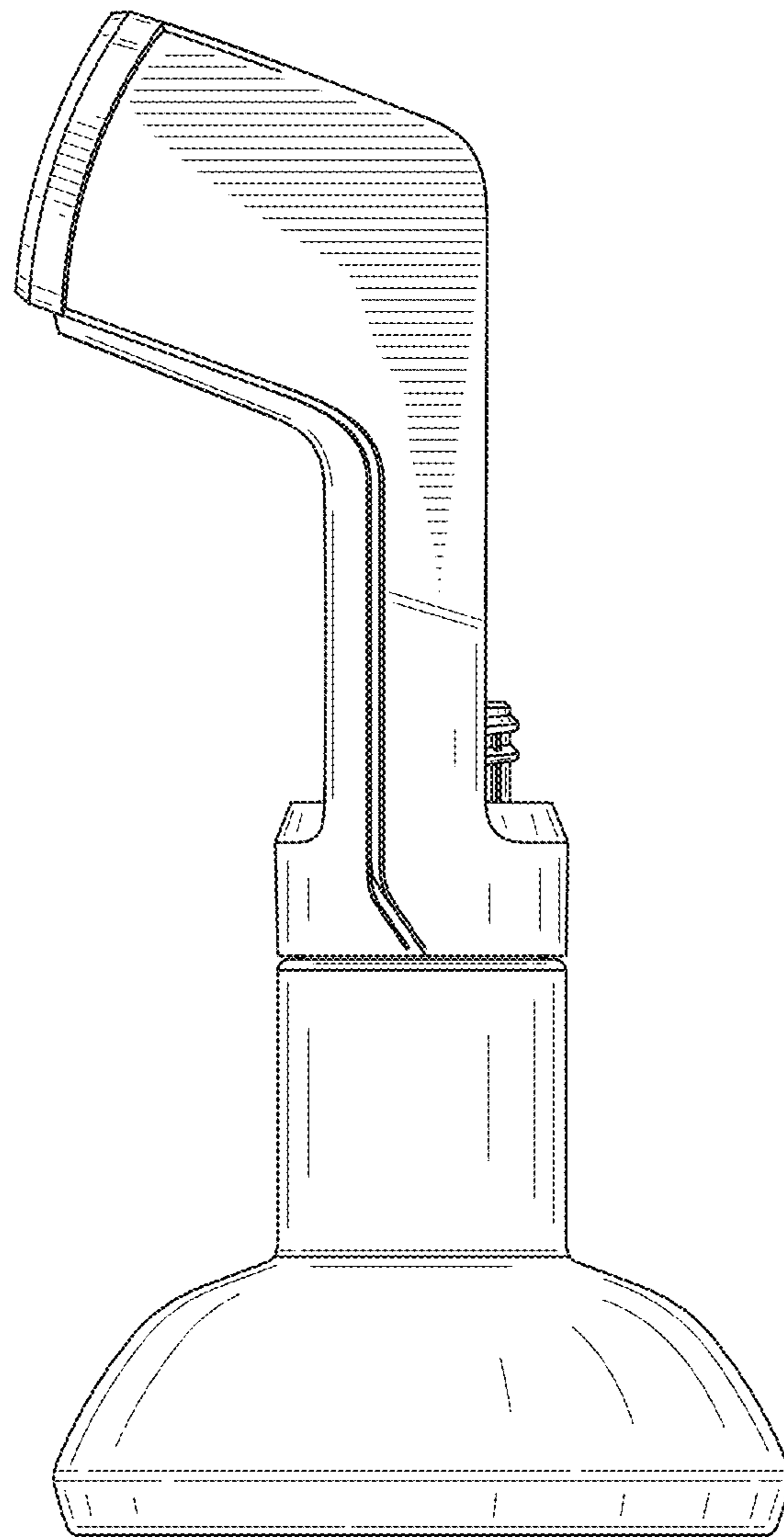


FIG. 4

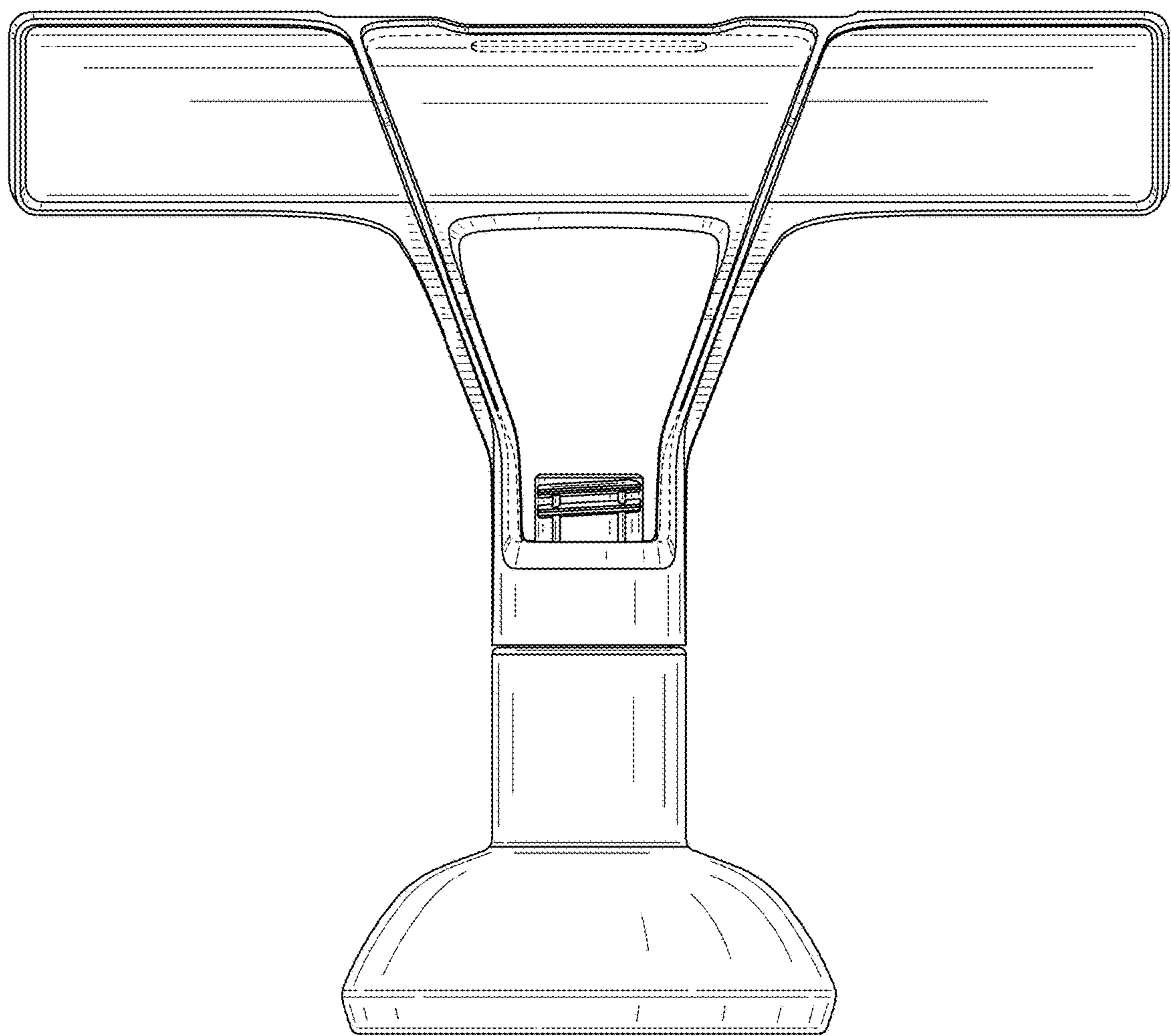


FIG. 5

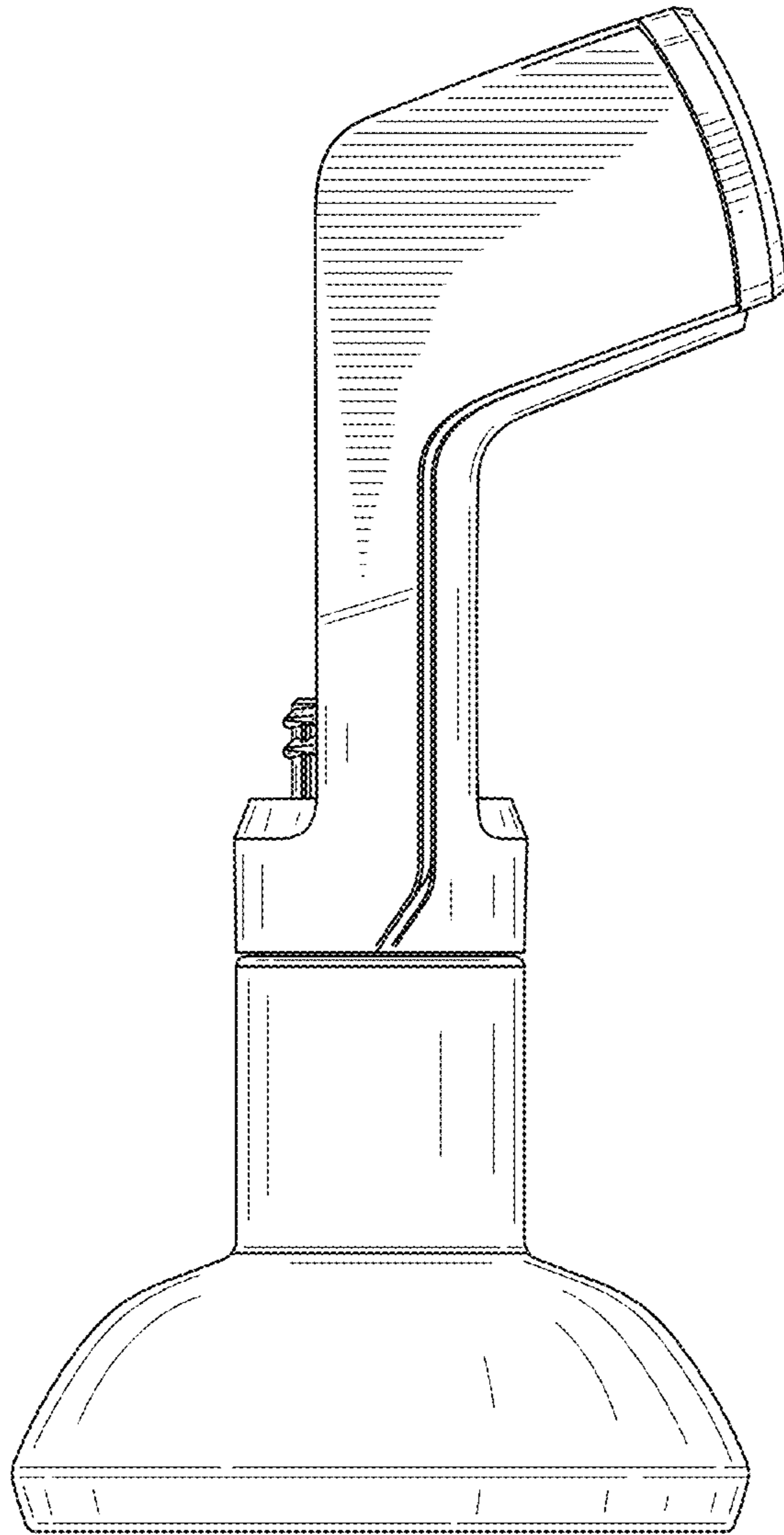


FIG. 6

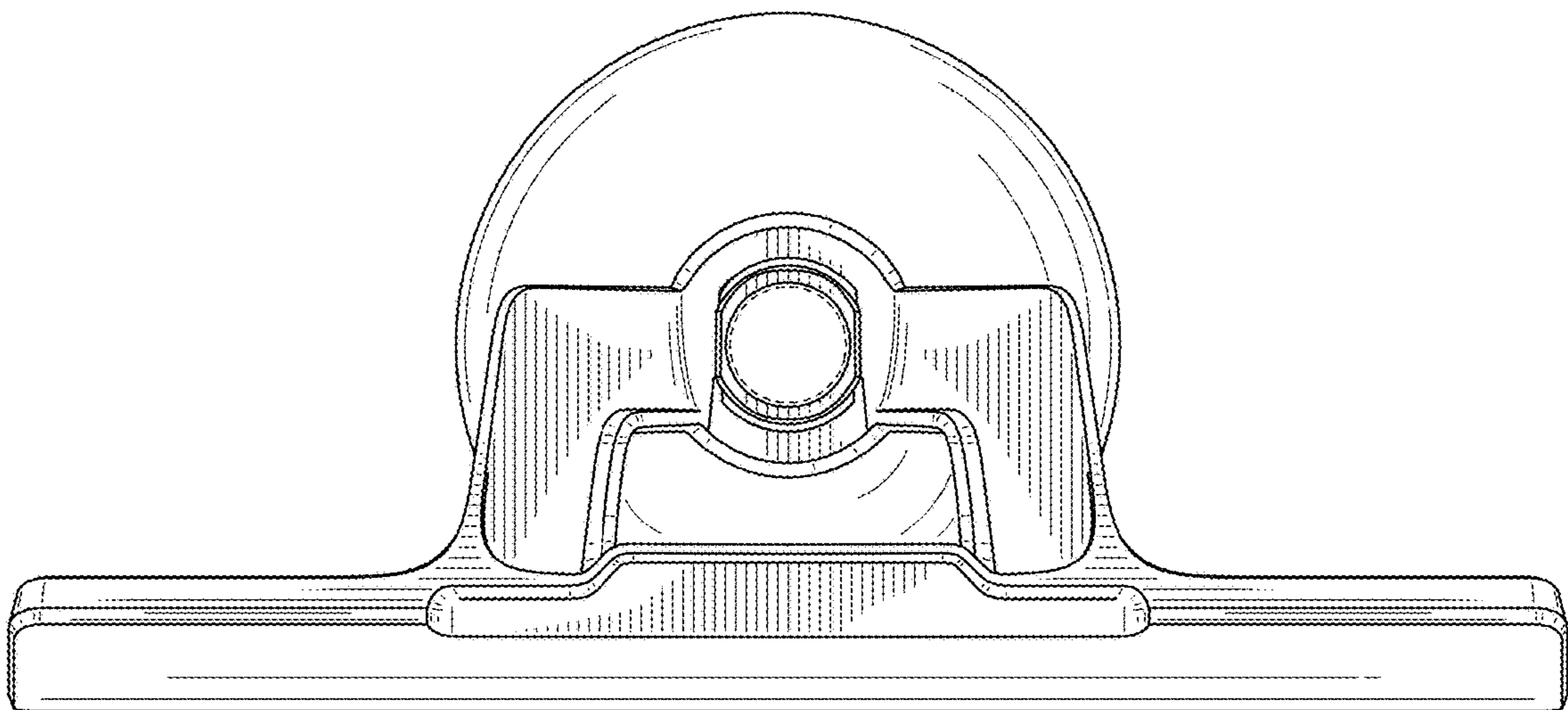


FIG. 7