



US00D828664S

(12) **United States Design Patent**
Tokoi

(10) **Patent No.:** **US D828,664 S**
(45) **Date of Patent:** **** Sep. 11, 2018**

(54) **HANDLE FOR AN ELECTRIC VACUUM CLEANER**

(71) Applicant: **IRIS OHYAMA INC.**, Sendai-shi, Miyagi (JP)

(72) Inventor: **Shohei Tokoi**, Kakuda (JP)

(73) Assignee: **IRIS OHYAMA INC.**, Sendai-shi (JP)

(**) Term: **15 Years**

(21) Appl. No.: **29/615,633**

(22) Filed: **Aug. 30, 2017**

(30) **Foreign Application Priority Data**

Mar. 4, 2017 (JP) 2017-004469

(51) **LOC (11) Cl.** **15-05**

(52) **U.S. Cl.**
USPC **D32/34**

(58) **Field of Classification Search**
USPC D32/31-34, 20-22, 38-39, 45
CPC A47L 9/02; A47L 9/04; A47L 9/06; A47L 9/0477; A47L 9/2842; A47L 9/0693; A47L 9/0444; A47L 9/0461; A47L 9/325; A47L 9/28; A47L 5/362; A47L 5/365; A47L 5/325; A47L 5/28; A47L 5/30; A47L 5/34; A47L 5/36; A47L 5/02; A47L 5/24; A47L 11/4044; E04H 4/1654; A46B 13/001; E01H 1/0854

See application file for complete search history.

(56) **References Cited**

U.S. PATENT DOCUMENTS

D420,477 S * 2/2000 Saunders D32/34
D586,054 S * 2/2009 Yoon D32/34

D641,112 S * 7/2011 Lee D32/34
8,056,181 B2 * 11/2011 Kim A47L 5/36
15/320
8,161,600 B2 * 4/2012 Kwon A47L 9/248
15/416
8,230,551 B2 * 7/2012 Borgerink A47L 9/0027
15/319

* cited by examiner

Primary Examiner — Ruth McInroy

(74) *Attorney, Agent, or Firm* — Studebaker & Brackett PC

(57) **CLAIM**

The ornamental design for a handle for an electric vacuum cleaner, as shown and described.

DESCRIPTION

FIG. 1 is a front, top and right-side perspective view of a handle for an electric vacuum cleaner showing my new design;

FIG. 2 is a front view thereof;

FIG. 3 is a rear view thereof;

FIG. 4 is a top view thereof;

FIG. 5 is a bottom view thereof; and,

FIG. 6 is a right-side view thereof, with the left-side view being a mirror image thereof.

The broken lines shown represent unclaimed subject matter of the handle for an electric vacuum cleaner and form no part of the claimed design.

1 Claim, 4 Drawing Sheets

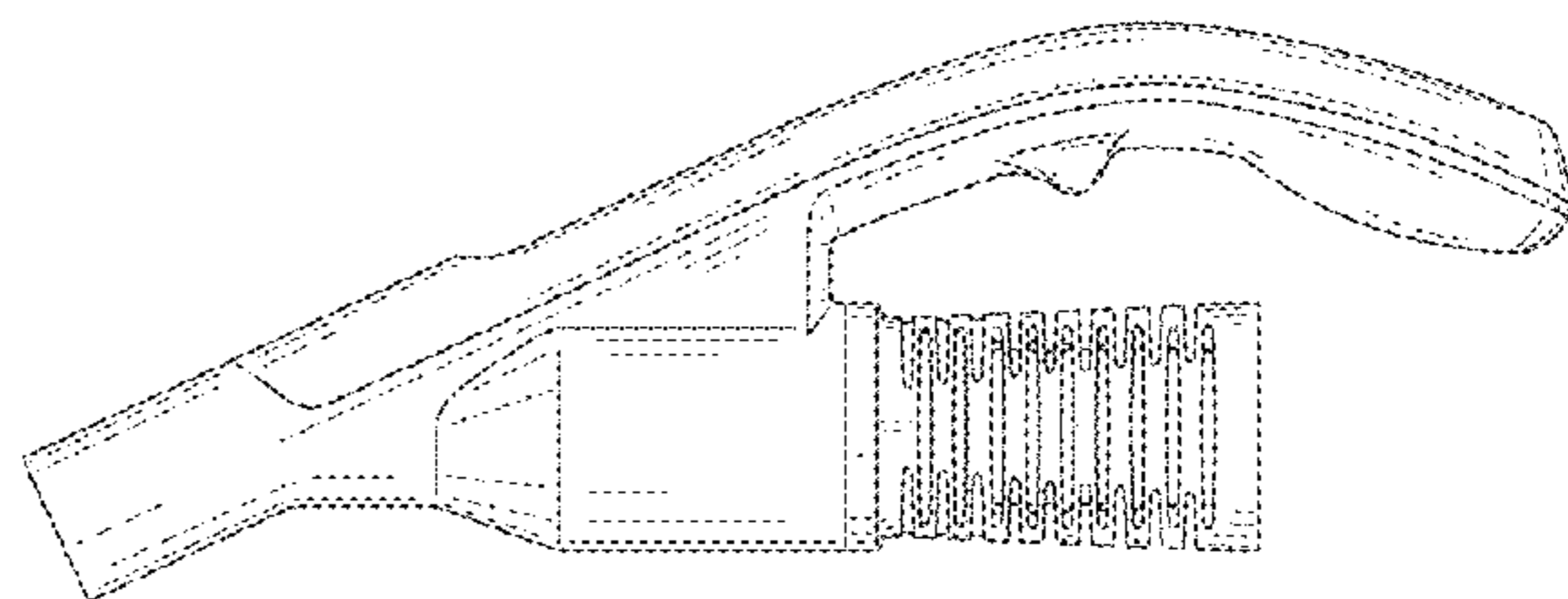
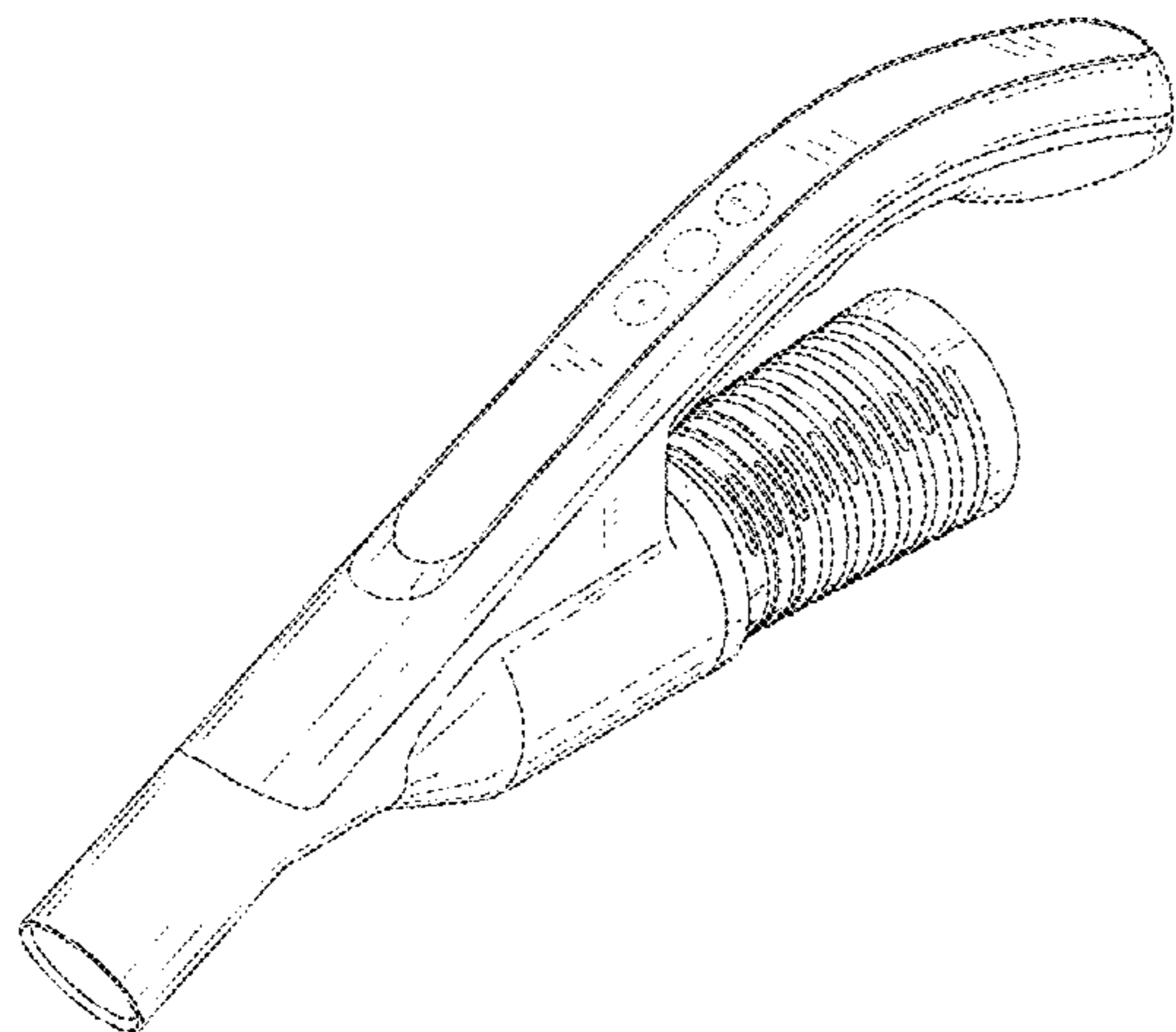


FIG. 1

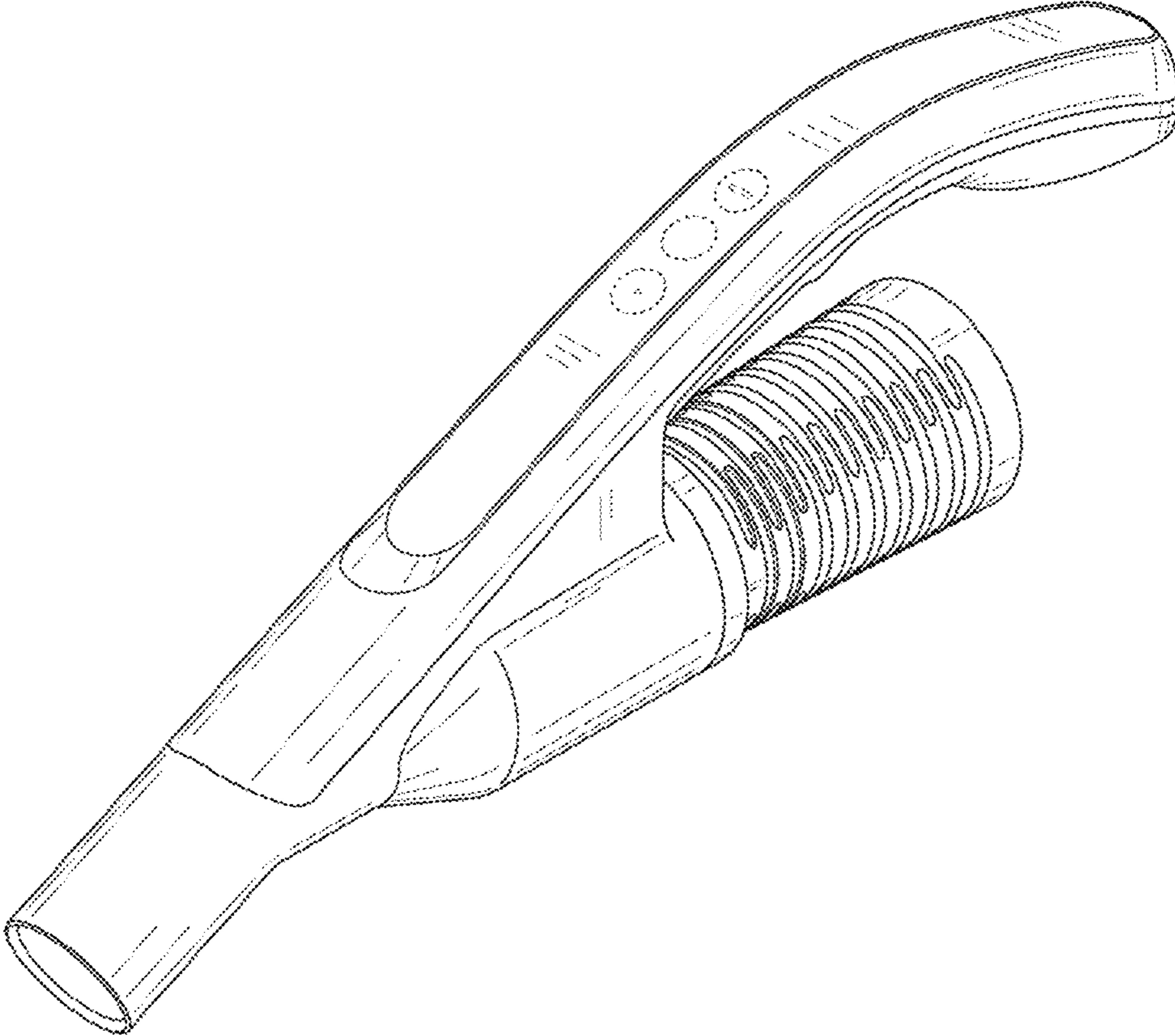


FIG. 2

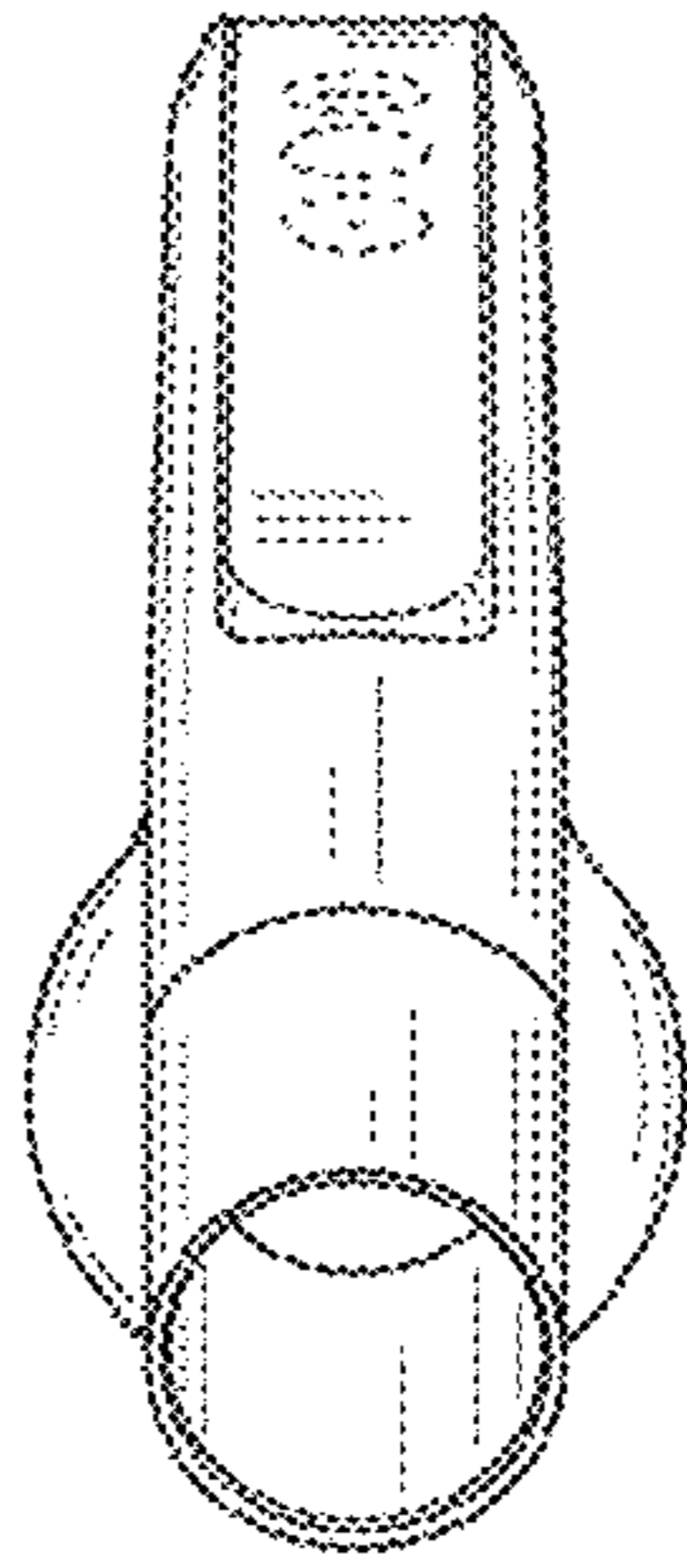


FIG. 3

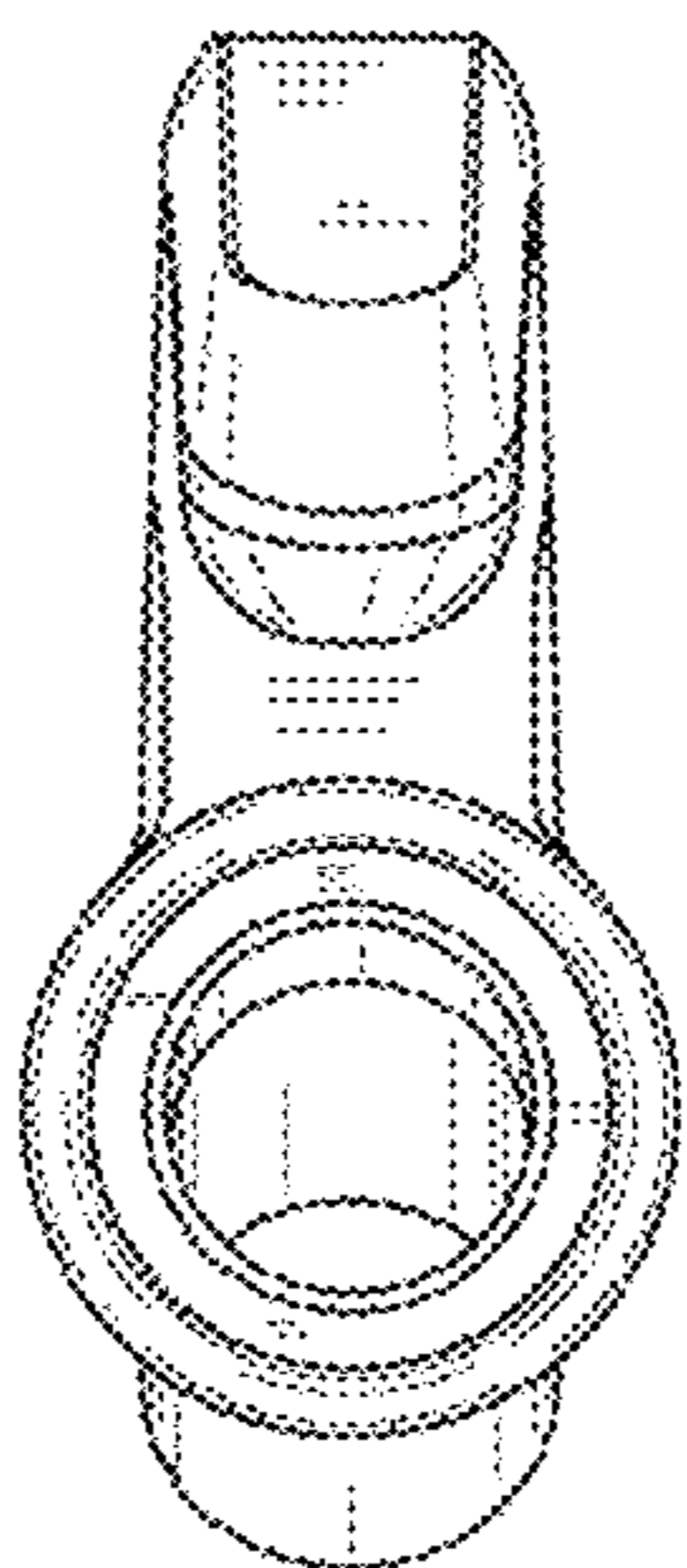


FIG. 4

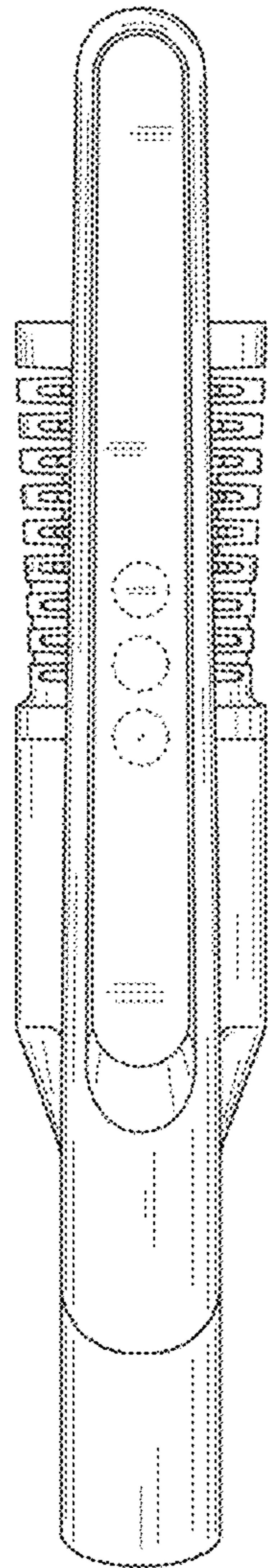


FIG. 5

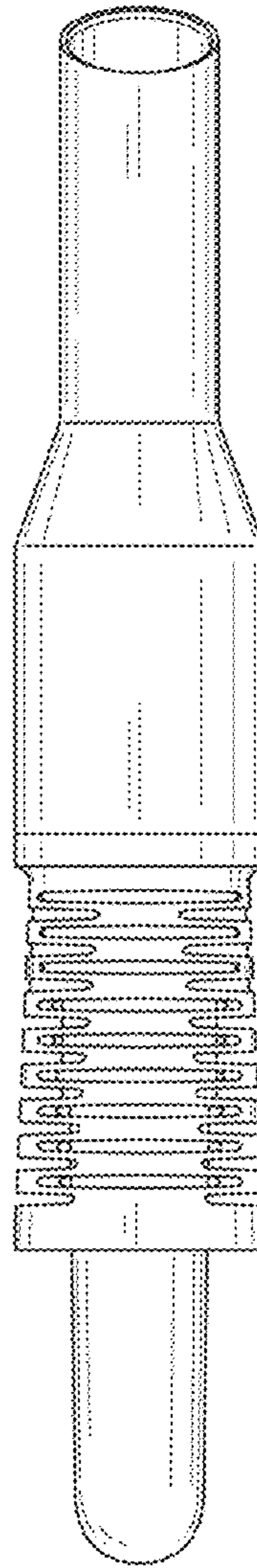


FIG. 6

