



US00D828662S

(12) **United States Design Patent**
Ha et al.

(10) **Patent No.:** **US D828,662 S**

(45) **Date of Patent:** **** Sep. 11, 2018**

(54) **DETERGENT INLET FOR WASHING MACHINE**

(71) Applicant: **LG ELECTRONICS INC.**, Seoul (KR)

(72) Inventors: **Youngsoo Ha**, Seoul (KR); **Eunyoung Chee**, Seoul (KR); **Jaecil Bae**, Seoul (KR)

(73) Assignee: **LG ELECTRONICS INC.**, Seoul (KR)

(**) Term: **15 Years**

(21) Appl. No.: **35/503,005**

(22) Filed: **Nov. 15, 2016**

(80) **Hague Agreement Data**

Int. Filing Date: **Nov. 15, 2016**

Int. Reg. No.: **DM/093541**

Int. Reg. Date: **Nov. 15, 2016**

Int. Reg. Pub. Date: **May 19, 2017**

(30) **Foreign Application Priority Data**

Jun. 8, 2016 (KR) 30-2016-0027629

(51) **LOC (11) Cl.** **15-05**

(52) **U.S. Cl.**

USPC **D32/29.1**

CPC **D06F 39/022** (2013.01)

(58) **Field of Classification Search**

USPC D32/1, 5, 6, 8, 10, 25, 28, 29.1; 68/11, 68/20, 27, 29, 38, 3 R

CPC D06F 39/022; D06F 39/028; D06F 39/14; D06F 37/28; D06F 33/02; D06F 58/00; D06F 58/02

See application file for complete search history.

(56) **References Cited**

U.S. PATENT DOCUMENTS

D637,371 S * 5/2011 Sim D32/25
D658,340 S * 4/2012 Jeon D32/6

D658,343 S * 4/2012 Jeon D32/29.1
D663,497 S * 7/2012 Ha D32/29.1
D663,498 S * 7/2012 Jeon D32/29.1
D682,492 S * 5/2013 Chung D32/6
D683,088 S * 5/2013 Chung D32/6
D732,777 S * 6/2015 Ha D32/28
D754,407 S * 4/2016 Chung D32/25
9,315,936 B2 * 4/2016 Bolduan D06F 39/022
D755,458 S * 5/2016 Jeon D32/25
9,334,602 B2 * 5/2016 Hasse D06F 39/022
D767,221 S * 9/2016 Ha D32/25
D767,836 S * 9/2016 Ha D32/25
D767,837 S * 9/2016 Chee D32/25
D772,509 S * 11/2016 Ha D32/29.1
D773,132 S * 11/2016 Ha D32/25
D773,133 S * 11/2016 Ha D32/25
D787,764 S * 5/2017 Kim D32/29.1
D788,390 S * 5/2017 Kim D32/29.1
D788,391 S * 5/2017 Kim D32/29.1
D800,402 S * 10/2017 Ha D32/29.1

(Continued)

Primary Examiner — Richard E Chilcot

(74) *Attorney, Agent, or Firm* — Birch, Stewart, Kolasch & Birch, LLP

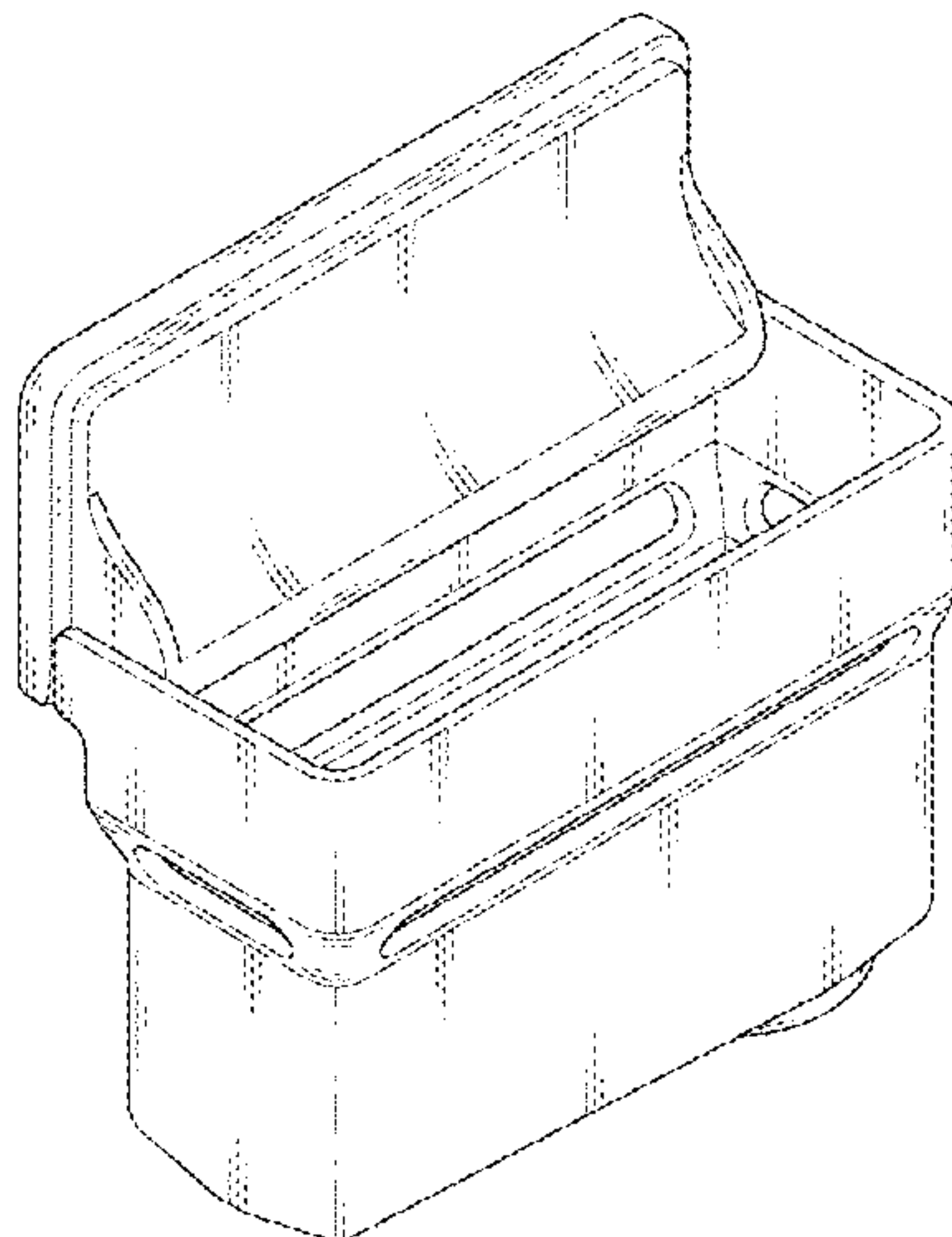
(57) **CLAIM**

The ornamental design for a detergent inlet for washing machine, as shown and described.

DESCRIPTION

1. Detergent inlet for washing machine
FIG. 1.1 is a perspective view of our new design for a detergent inlet in the open position for a washing machine; FIG. 1.2 is a front elevation view thereof; FIG. 1.3 is a rear elevation view thereof; FIG. 1.4 is a left-side elevation view thereof; FIG. 1.5 is a right-side elevation view thereof; FIG. 1.6 is a top plan view thereof; FIG. 1.7 is a bottom plan view thereof; FIG. 1.8 is a perspective view of our new design for a detergent inlet in the closed position.

1 Claim, 8 Drawing Sheets



(56)

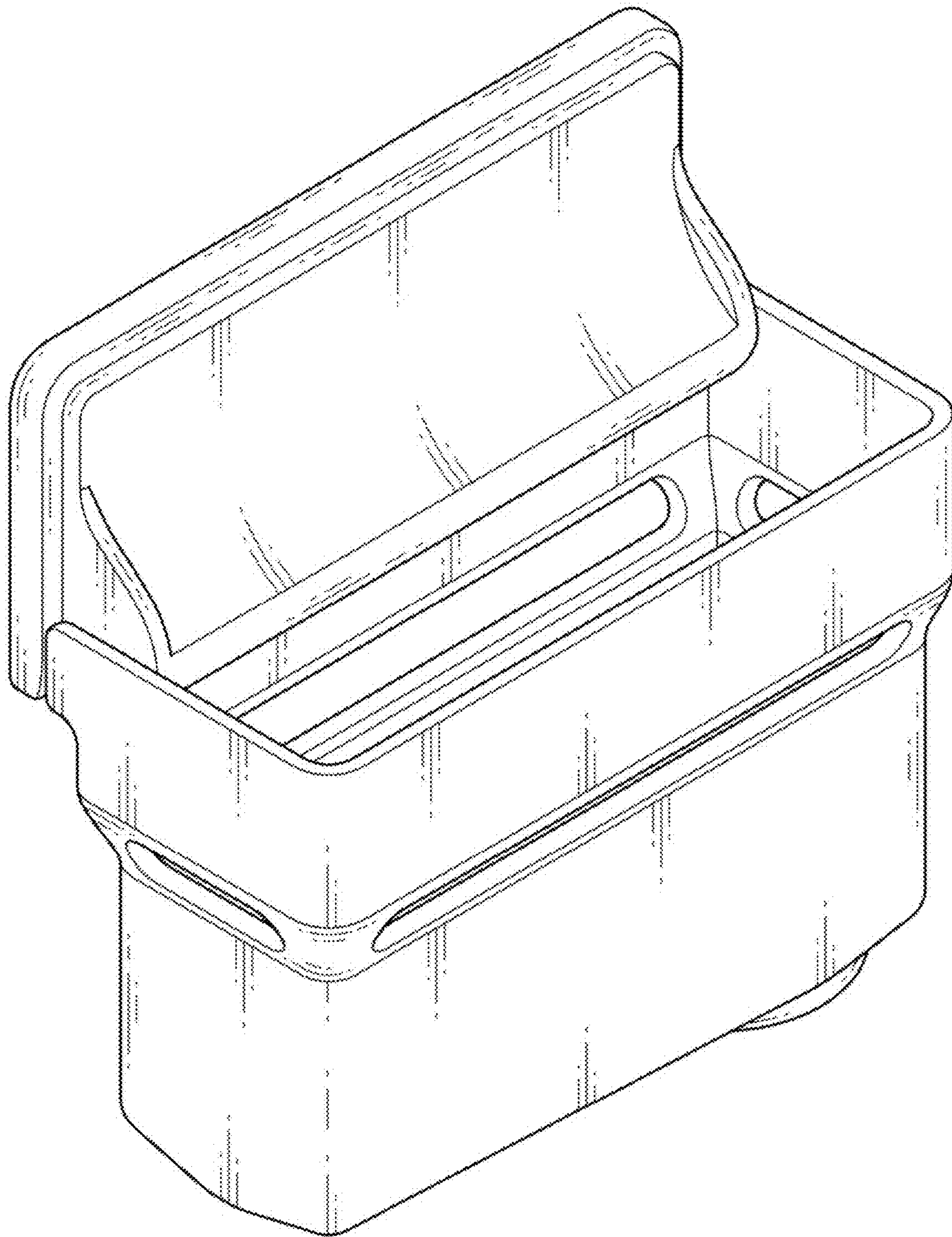
References Cited

U.S. PATENT DOCUMENTS

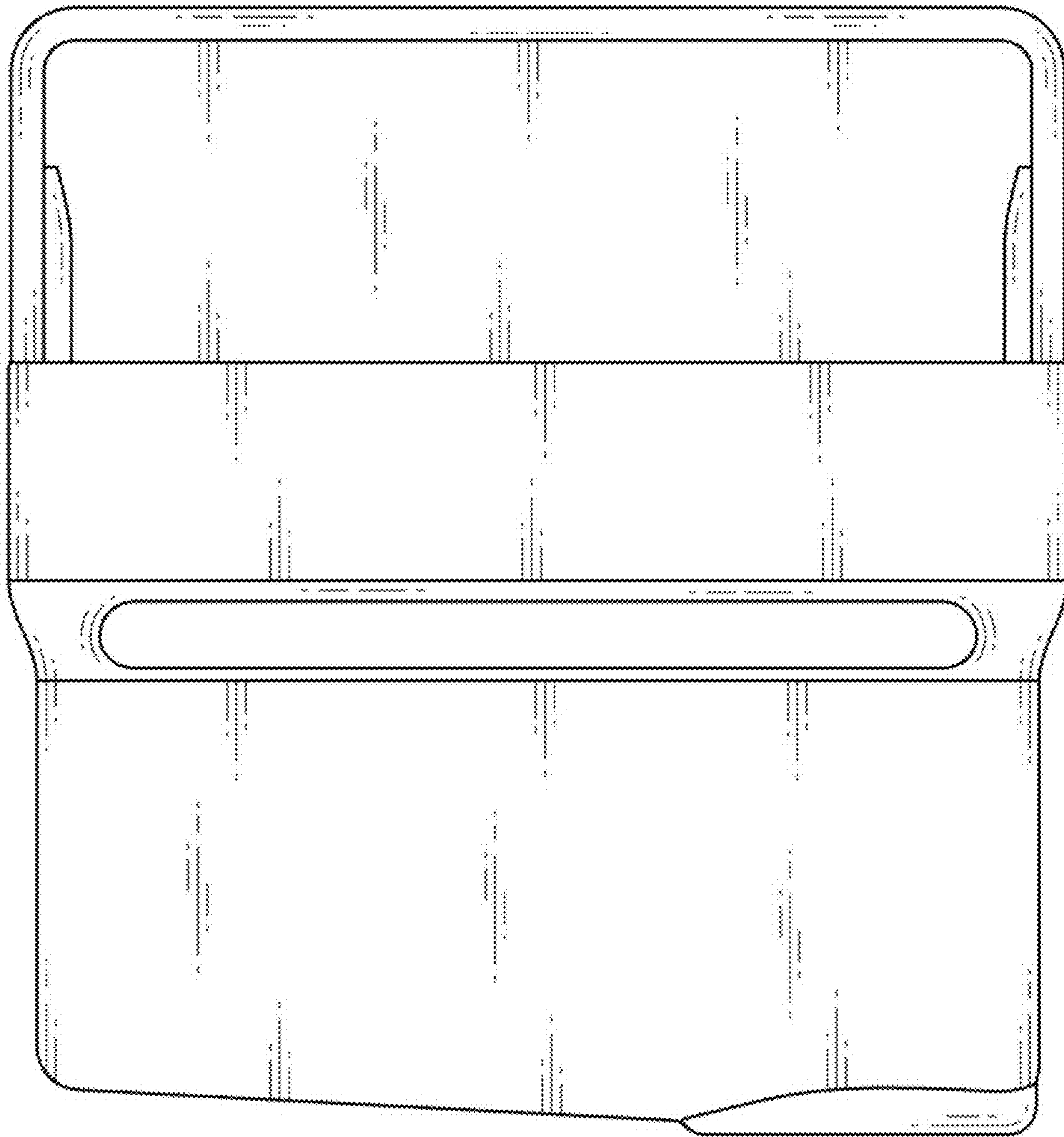
D809,724 S * 2/2018 Yoon D32/29.1
2005/0274157 A1* 12/2005 Yang D06F 39/022
68/17 R
2007/0044517 A1* 3/2007 Yang D06F 39/022
68/17 R
2010/0107704 A1* 5/2010 Seo D06F 39/02
68/17 R
2012/0174632 A1* 7/2012 Sung D06F 39/022
68/17 R
2012/0180533 A1* 7/2012 Song D06F 39/02
68/17 R
2014/0053614 A1* 2/2014 Lee D06F 39/024
68/17 A
2014/0190220 A1* 7/2014 Lee D06F 39/02
68/17 R
2016/0194813 A1* 7/2016 Kurtkaya A47L 15/4418
134/115 R
2016/0258106 A1* 9/2016 Kim D06F 39/022
2016/0273150 A1* 9/2016 Del Pos D06F 39/005

* cited by examiner

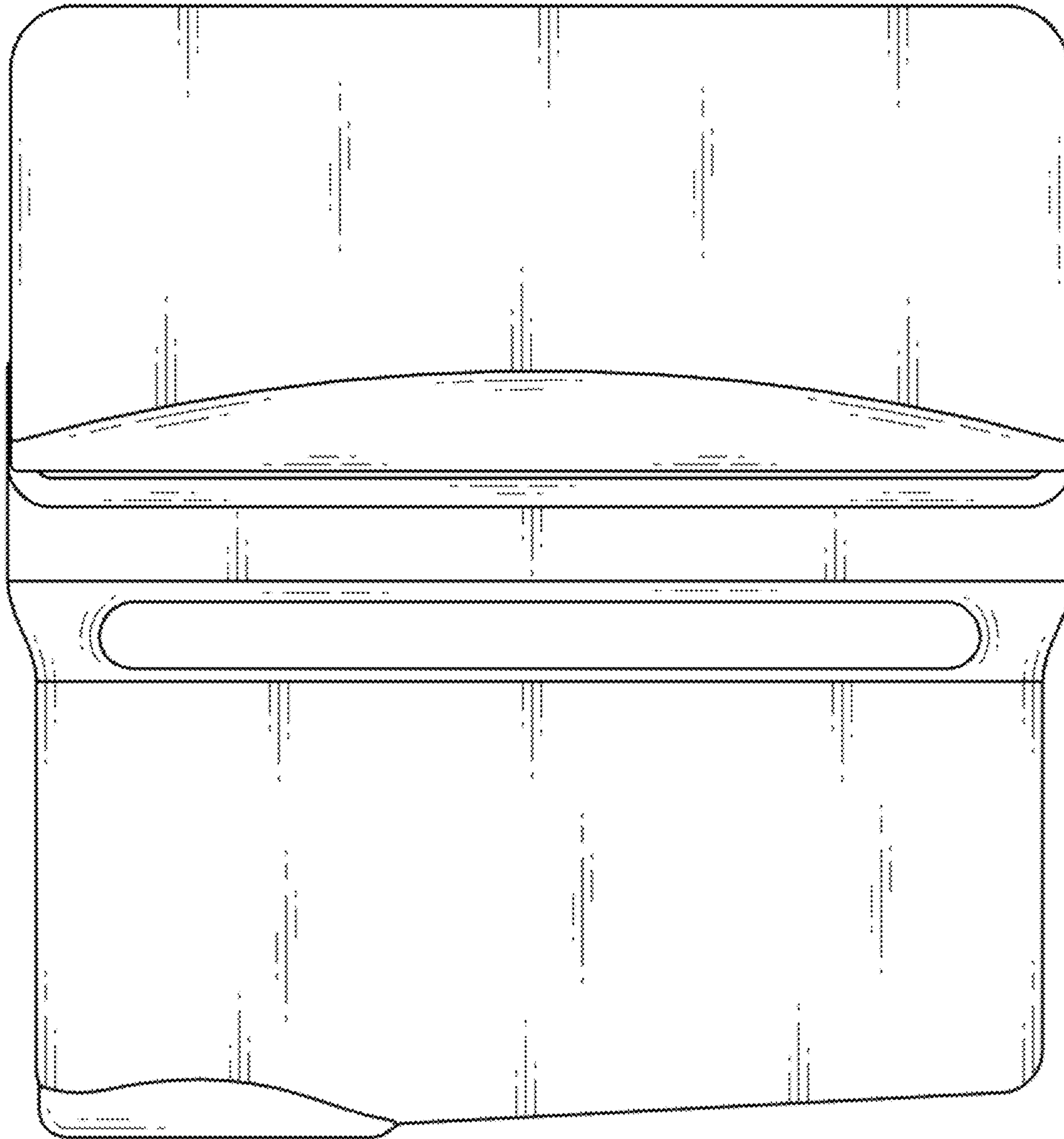
1.1



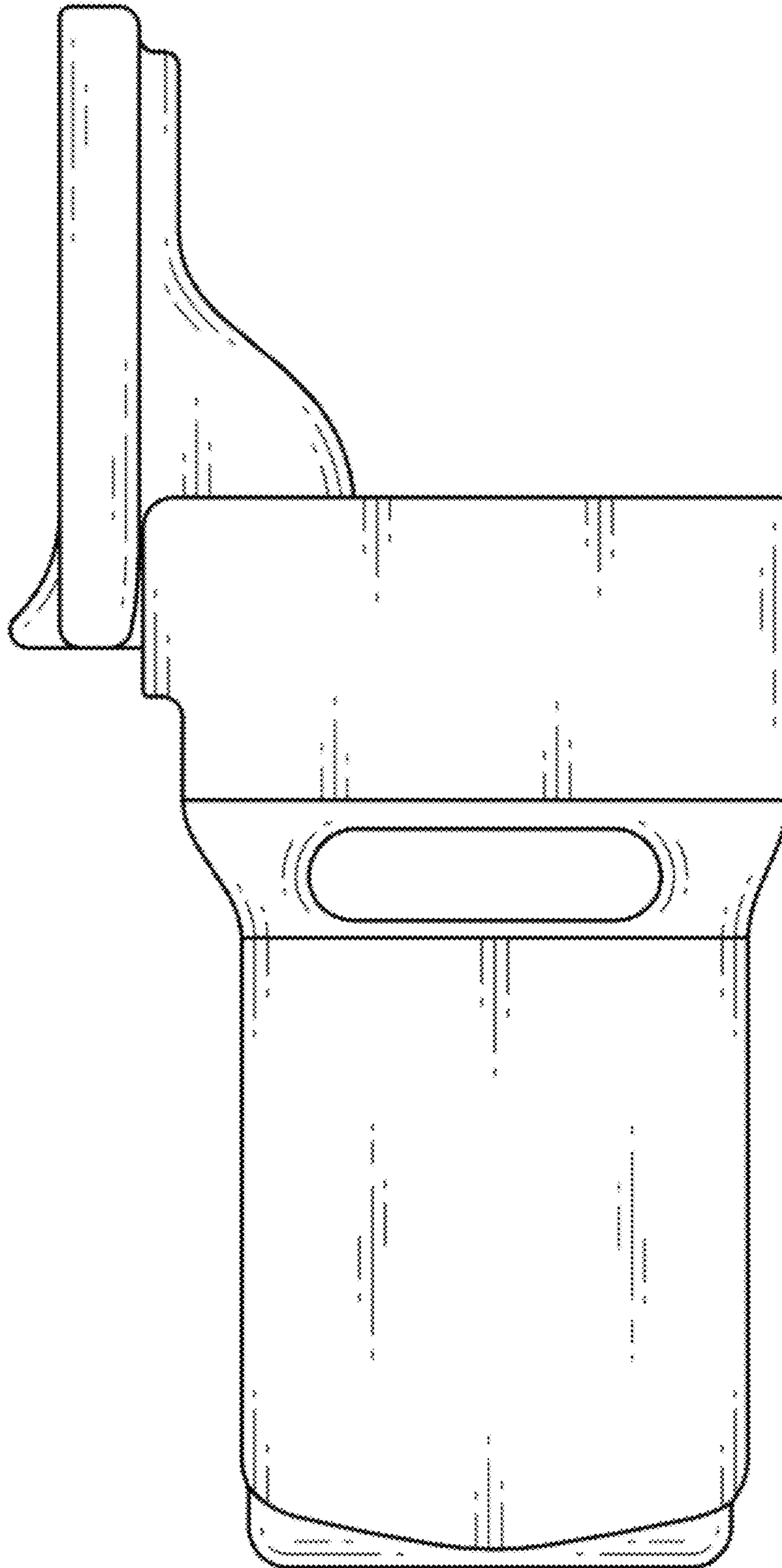
1.2



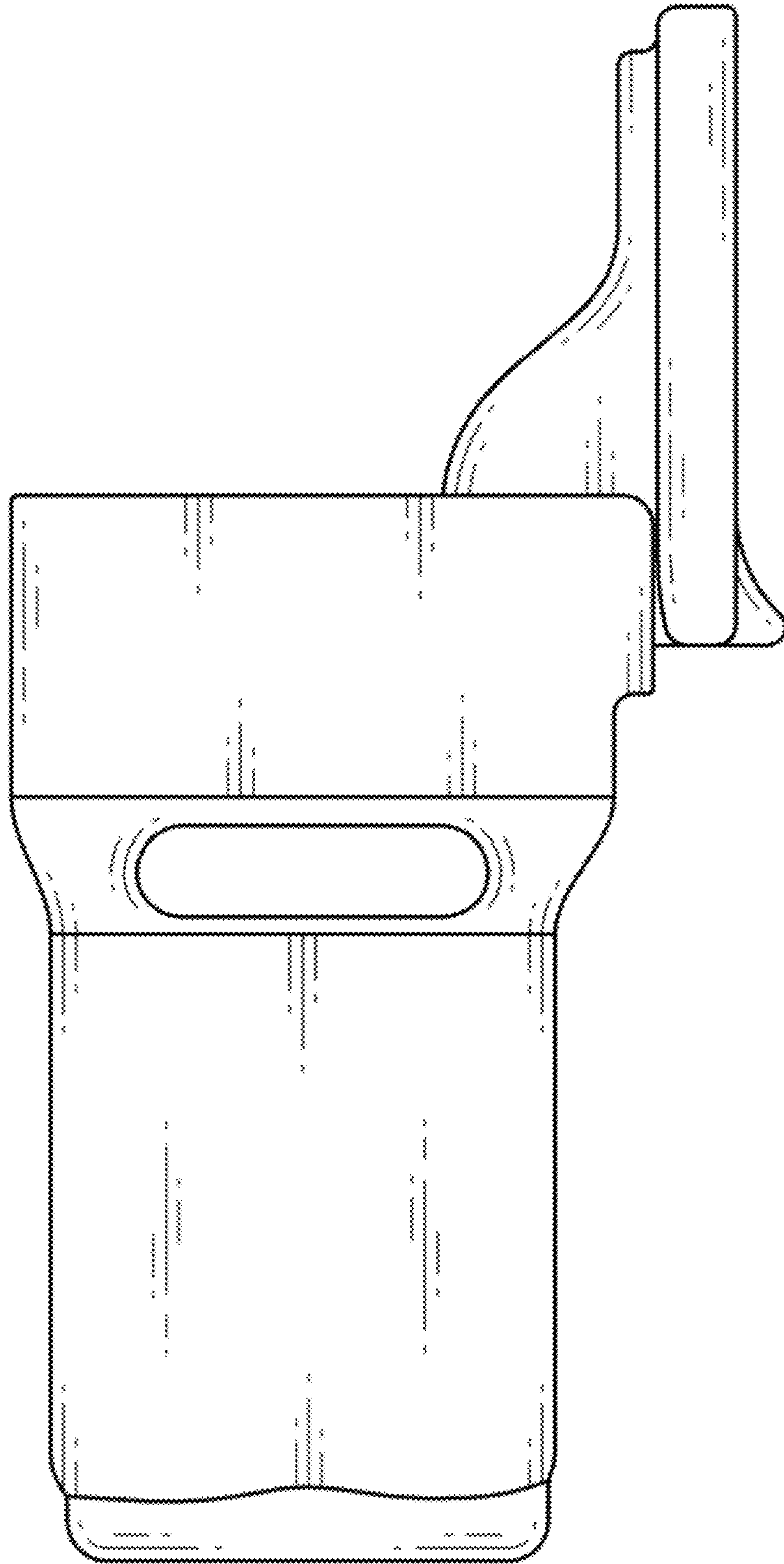
1.3



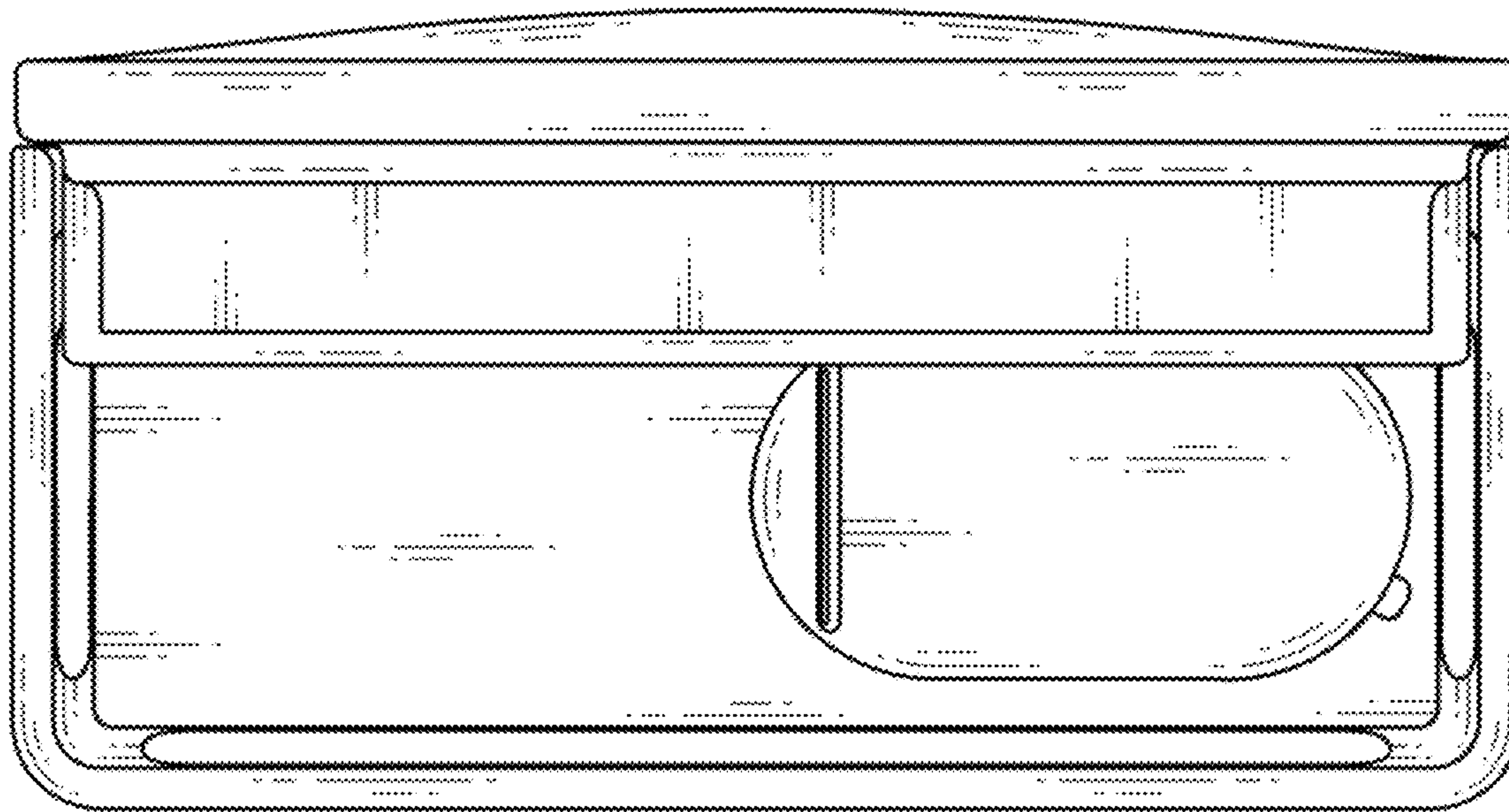
1.4



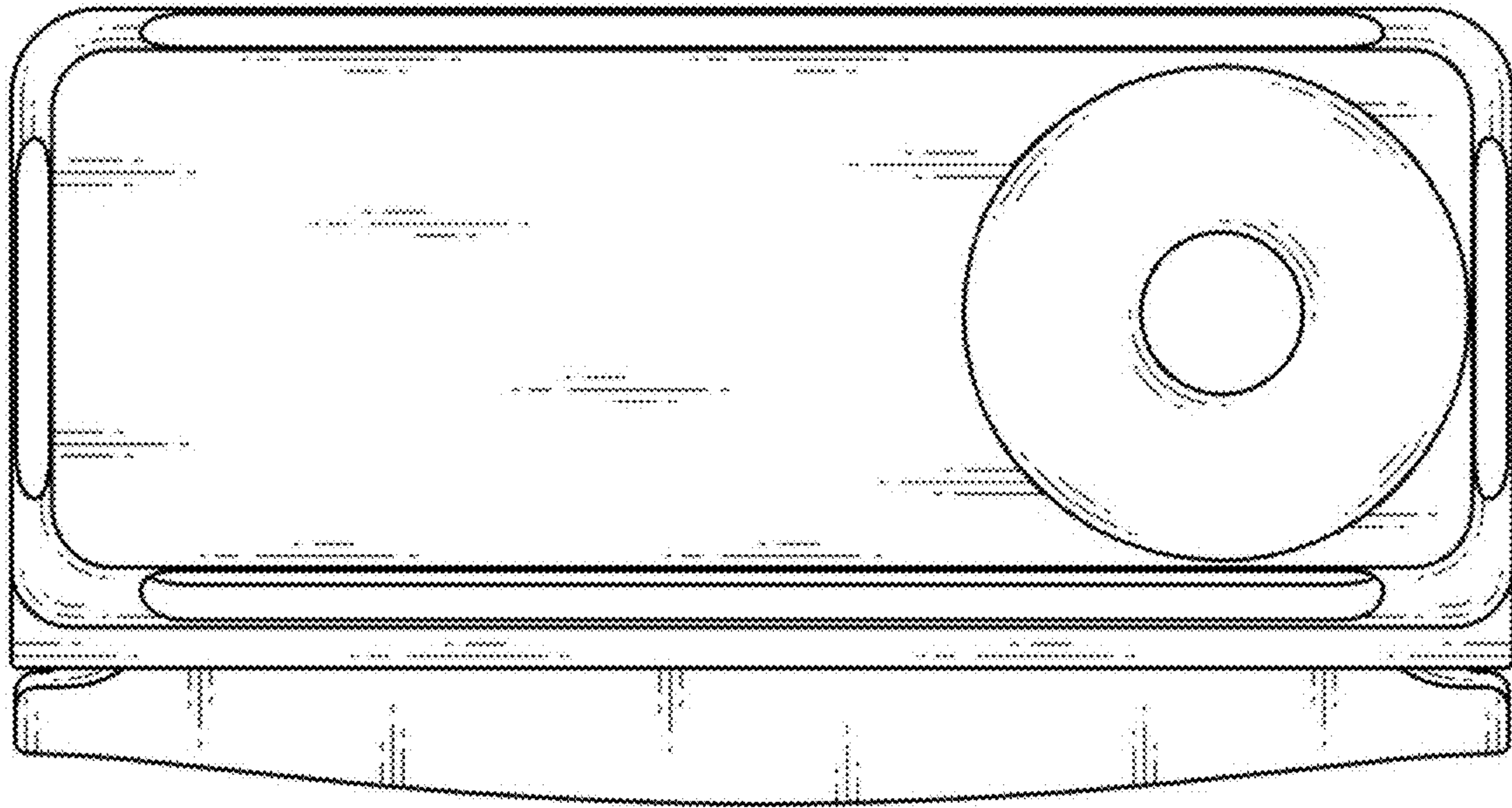
1.5



1.6



1.7



1.8

