



US00D828660S

(12) **United States Design Patent**  
**Jang et al.**

(10) **Patent No.:** **US D828,660 S**

(45) **Date of Patent:** **\*\* Sep. 11, 2018**

(54) **ROBOT VACUUM CLEANER**

(71) Applicant: **LG ELECTRONICS INC.**, Seoul (KR)

(72) Inventors: **Jaewon Jang**, Seoul (KR); **Heeseung Lim**, Seoul (KR)

(73) Assignee: **LG ELECTRONICS INC.**, Seoul (KR)

(\*\*) Term: **15 Years**

(21) Appl. No.: **35/503,013**

(22) Filed: **Nov. 15, 2016**

(80) **Hague Agreement Data**

Int. Filing Date: **Nov. 15, 2016**

Int. Reg. No.: **DM/093582**

Int. Reg. Date: **Nov. 15, 2016**

Int. Reg. Pub. Date: **May 19, 2017**

(30) **Foreign Application Priority Data**

Jun. 8, 2016 (KR) ..... 30-2016-0027634

(51) **LOC (11) Cl.** ..... **15-05**

(52) **U.S. Cl.**  
USPC ..... **D32/21**  
CPC ..... **A47L 9/16** (2013.01)

(58) **Field of Classification Search**

USPC ..... D32/18, 21-24, 31  
CPC . A47L 9/16; A47L 9/20; A47L 9/1683; A47L 9/1666; A47L 9/1608; A47L 9/2857; A47L 9/2842; A47L 9/2836; A47L 9/2847; A47L 9/2852; A47L 5/28; A47L 7/0038; G06N 3/008; E04H 4/1654  
See application file for complete search history.

(56) **References Cited**

**U.S. PATENT DOCUMENTS**

D453,402 S \* 2/2002 Kato ..... D32/1  
D473,354 S \* 4/2003 Kato ..... D32/1

D524,495 S \* 7/2006 Ljunggren ..... D32/21  
D548,411 S \* 8/2007 Schroter ..... D32/21  
D551,815 S \* 9/2007 Schroeter ..... D32/21  
D555,305 S \* 11/2007 Chun ..... D32/21  
D555,307 S \* 11/2007 Chun ..... D32/31  
D659,311 S \* 5/2012 Geringer ..... D32/21  
D660,530 S \* 5/2012 Geringer ..... D32/21  
D670,877 S \* 11/2012 Geringer ..... D32/21  
D704,400 S \* 5/2014 Shin ..... D32/21  
D720,510 S \* 12/2014 Shin ..... D32/21  
D720,511 S \* 12/2014 Shin ..... D32/21  
D737,008 S \* 8/2015 Cheon ..... D32/31  
D744,181 S \* 11/2015 Cheon ..... D32/31  
D744,183 S \* 11/2015 Cheon ..... D32/31  
D744,709 S \* 12/2015 Cheon ..... D32/31  
D745,233 S \* 12/2015 Choi ..... D32/31  
D745,757 S \* 12/2015 Choi ..... D32/21  
D746,005 S \* 12/2015 Cheon ..... D32/21  
D751,260 S \* 3/2016 Kim ..... D32/21  
D751,777 S \* 3/2016 Cheon ..... D32/21  
D752,300 S \* 3/2016 Cheon ..... D32/31  
D766,524 S \* 9/2016 Ochi ..... D32/21  
D771,885 S \* 11/2016 Caruso ..... D32/21

(Continued)

*Primary Examiner* — Richard E Chilcot

(74) *Attorney, Agent, or Firm* — Birch, Stewart, Kolasch & Birch, LLP

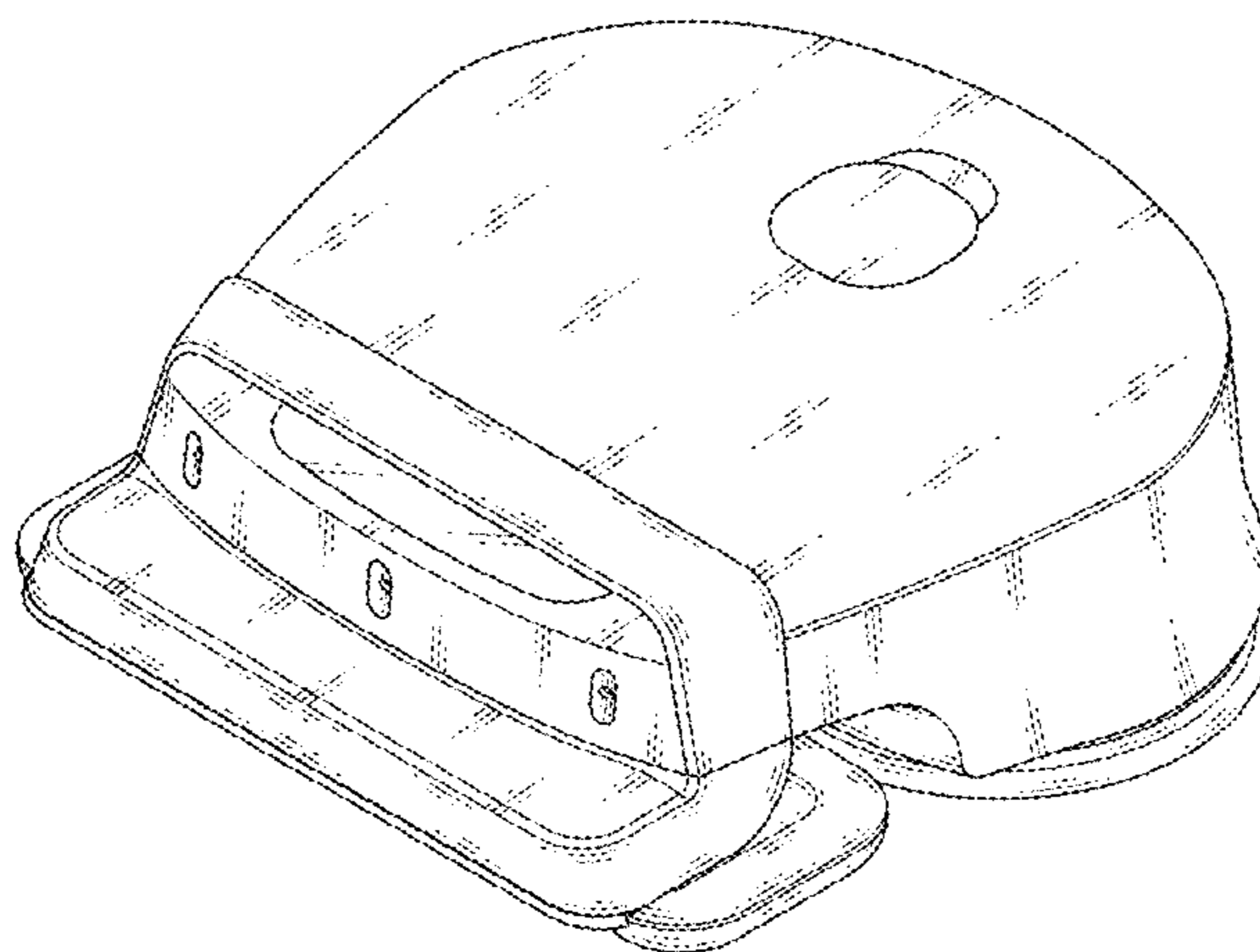
(57) **CLAIM**

The ornamental design for a robot vacuum cleaner, as shown and described.

**DESCRIPTION**

1. Robot vacuum cleaner  
FIG. 1.1 is a front perspective view of a robot cleaner, showing our new design;  
FIG. 1.2 is a front view thereof;  
FIG. 1.3 is a rear view thereof;  
FIG. 1.4 is a side view thereof;  
FIG. 1.5 is another side view thereof;  
FIG. 1.6 is a top view thereof; and  
FIG. 1.7 is a bottom view thereof.

**1 Claim, 7 Drawing Sheets**



(56)

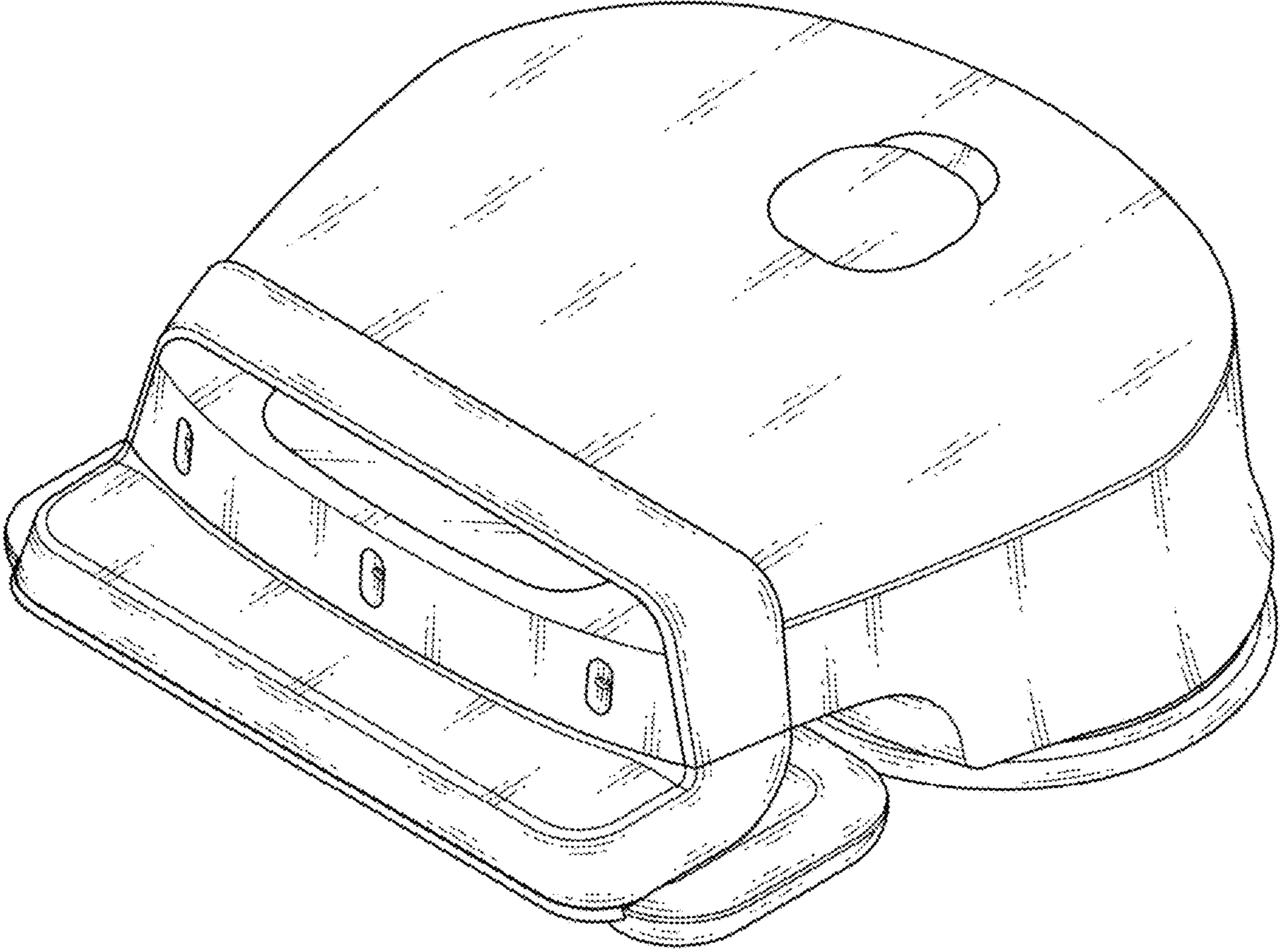
**References Cited**

U.S. PATENT DOCUMENTS

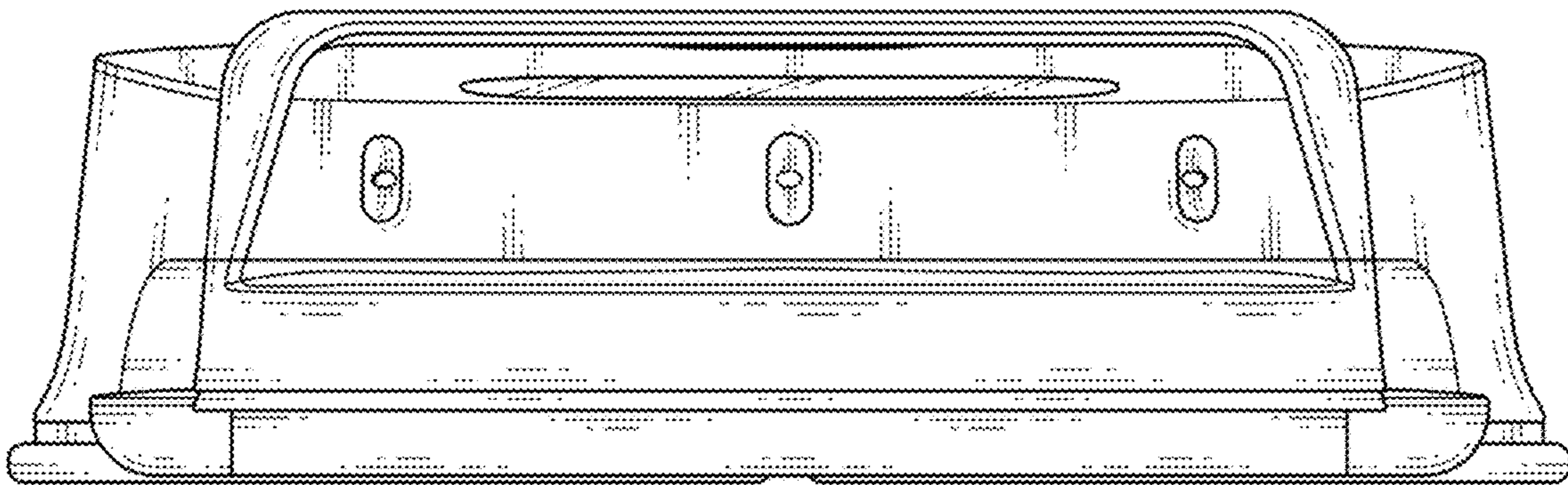
D773,758 S \* 12/2016 Caruso ..... D32/21  
D778,514 S \* 2/2017 Park ..... D32/21  
2006/0236492 A1\* 10/2006 Sudo ..... A47L 11/24  
15/319

\* cited by examiner

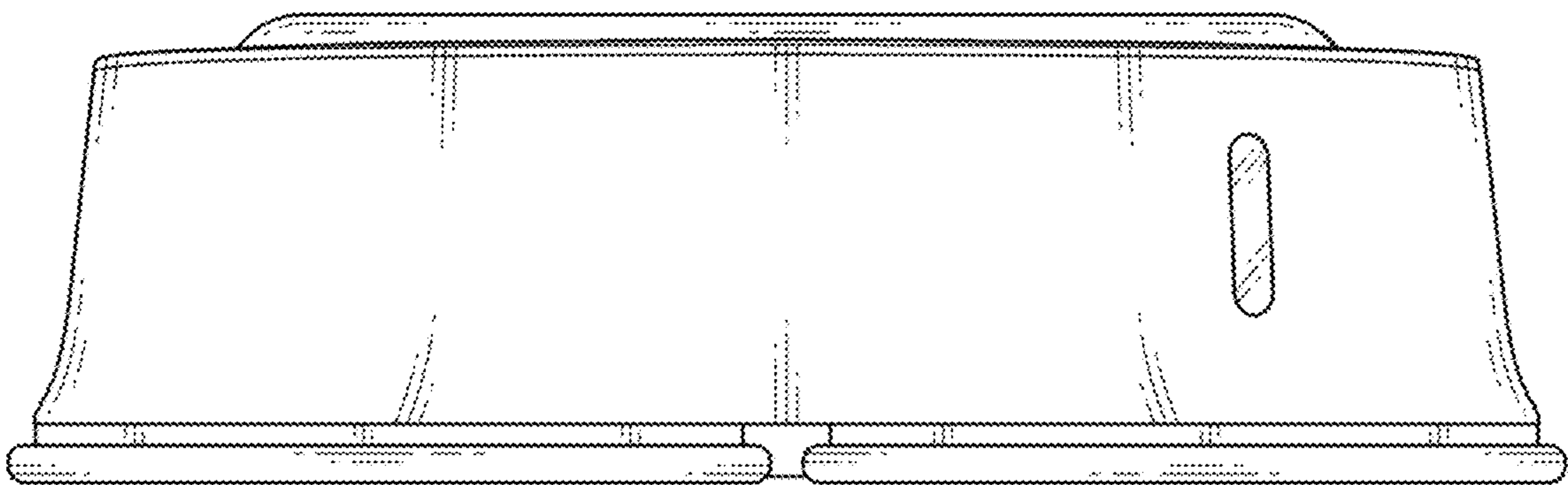
1.1



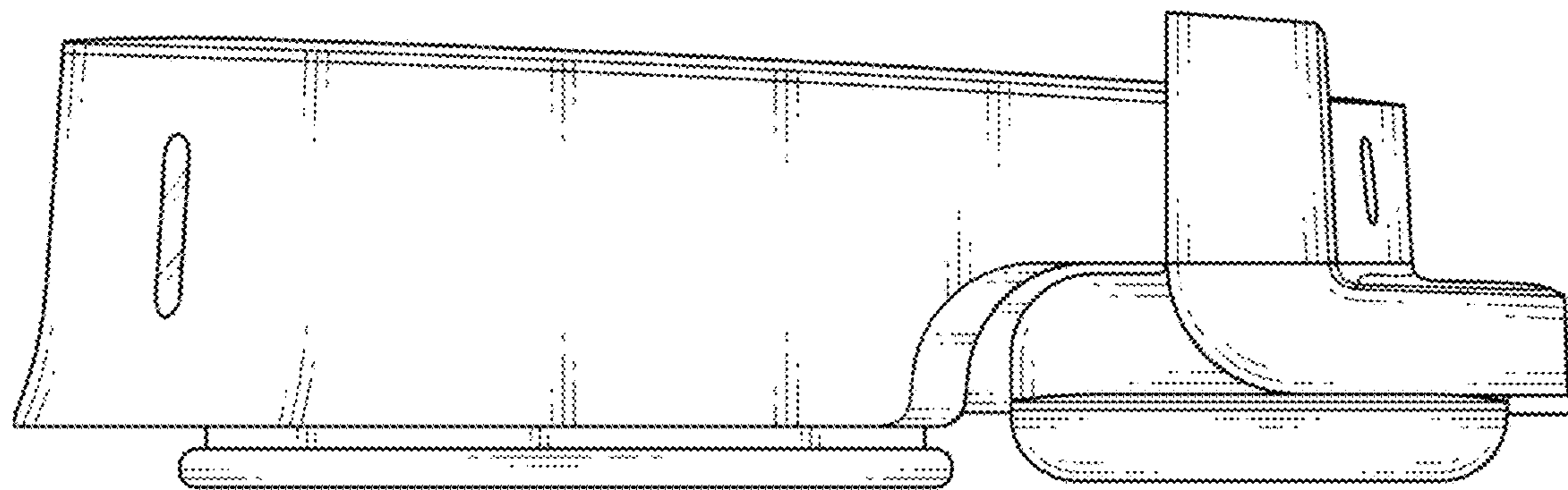
1.2



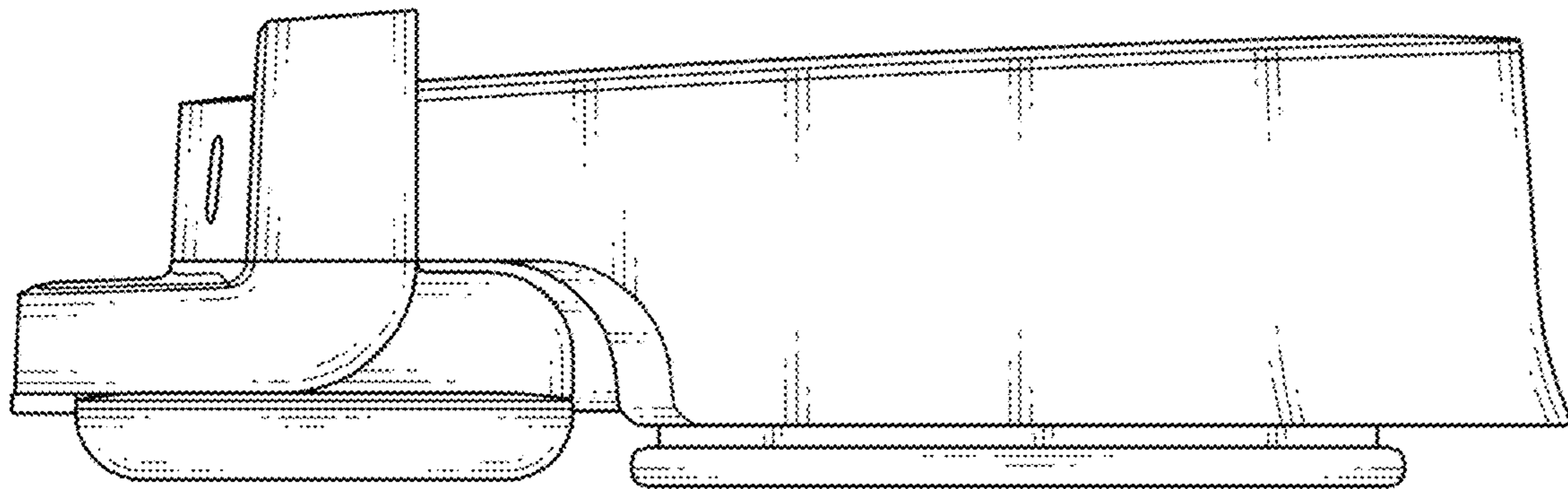
1.3



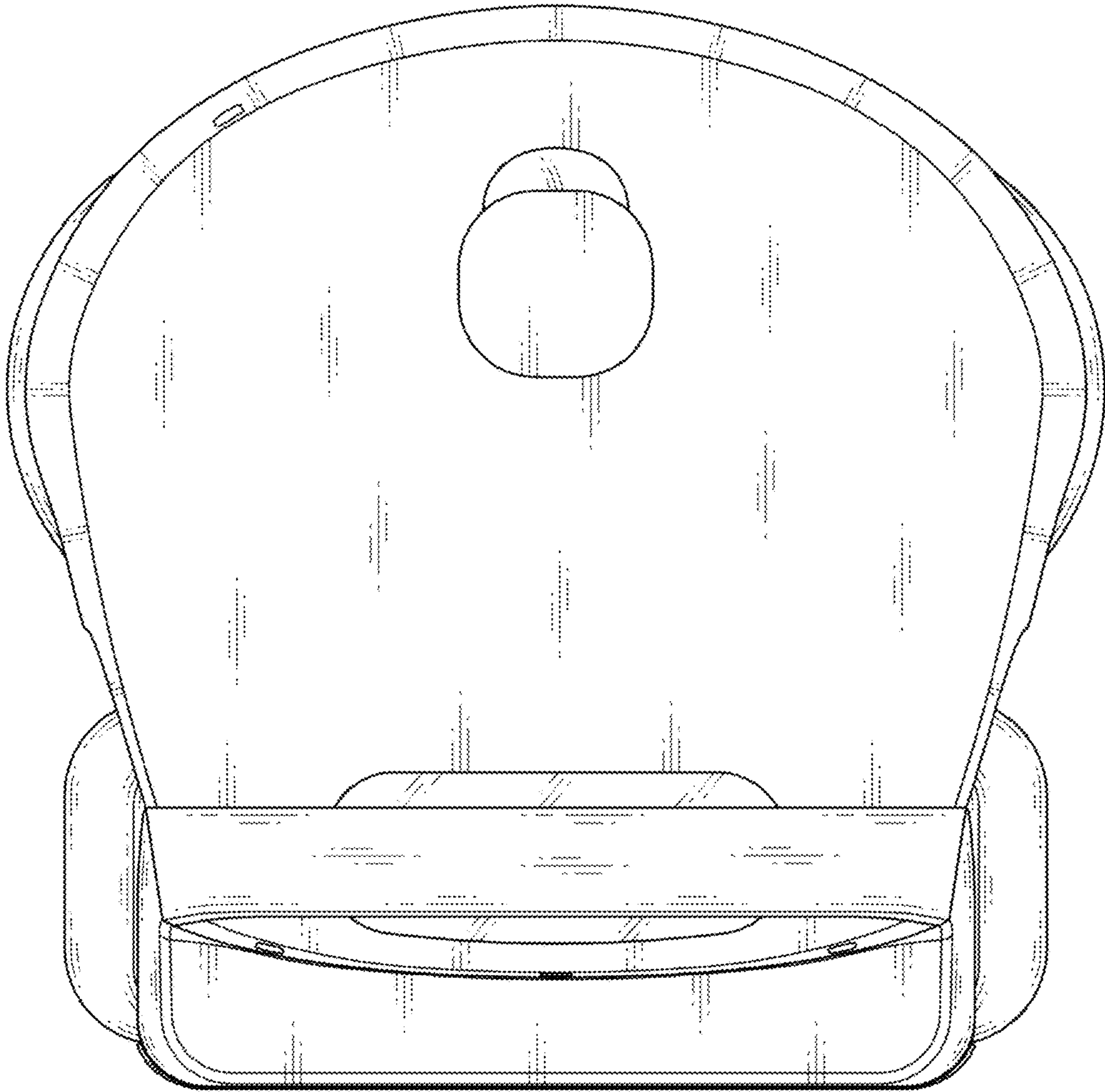
1.4



1.5



1.6





1.7

