



US00D828658S

(12) **United States Design Patent**
Guthrie

(10) **Patent No.:** **US D828,658 S**

(45) **Date of Patent:** **** Sep. 11, 2018**

(54) **TOILET PLUNGER WITH HANDLE**

(71) Applicant: **LAVELLE INDUSTRIES, INC.**,
Burlington, WI (US)

(72) Inventor: **Kevin J. Guthrie**, Wind Lake, WI (US)

(73) Assignee: **Lavelle Industries, Inc.**, Burlington,
WI (US)

(**) Term: **15 Years**

(21) Appl. No.: **29/580,045**

(22) Filed: **Oct. 5, 2016**

Related U.S. Application Data

(63) Continuation of application No. 13/683,149, filed on
Nov. 21, 2012.

(51) **LOC (11) Cl.** **15-05**

(52) **U.S. Cl.**
USPC **D32/14**

(58) **Field of Classification Search**
USPC D32/1, 14, 25, 35; D23/223, 224;
D6/524

CPC E03C 1/308; A47K 11/10
See application file for complete search history.

(56) **References Cited**

U.S. PATENT DOCUMENTS

| | | | | |
|--------------|---------|-------|-------|--------|
| D292,631 S * | 11/1987 | Tash | | D32/14 |
| D437,667 S * | 2/2001 | Hwang | | D32/35 |
| D448,534 S * | 9/2001 | Wang | | D32/35 |
| D454,673 S * | 3/2002 | Hwang | | D32/35 |
| D456,574 S * | 4/2002 | Chen | | D32/35 |
| D465,888 S * | 11/2002 | Wang | | D32/35 |
| D491,702 S * | 6/2004 | Tash | | D32/14 |

| | | | | |
|-------------------|---------|-------------|-------|------------------------|
| D509,333 S * | 9/2005 | Tash | | D32/35 |
| D514,760 S * | 2/2006 | Schoolcraft | | D32/35 |
| D535,073 S * | 1/2007 | Leaphart | | D32/35 |
| D690,959 S * | 10/2013 | Yang | | D6/524 |
| 2013/0125298 A1 * | 5/2013 | Guthrie | | E03C 1/308 4/255.11 |
| 2014/0033419 A1 * | 2/2014 | Daciw | | E03D 9/00 4/255.11 |
| 2014/0075661 A1 * | 3/2014 | Zeng | | E03D 9/00 4/255.11 |
| 2014/0115768 A1 * | 5/2014 | Wang | | E03D 9/00 4/255.11 |
| 2015/0240466 A1 * | 8/2015 | Schultz | | A47K 11/10 4/255.11 |
| 2016/0298322 A1 * | 10/2016 | Zavala | | E03C 1/308 |

* cited by examiner

Primary Examiner — Michelle E. Wilson

(74) *Attorney, Agent, or Firm* — Joseph S. Heino; James
E. Lowe, Jr.; Erin E. Kaprelian

(57) **CLAIM**

The ornamental design for a toilet plunger with handle, as
shown and described.

DESCRIPTION

FIG. 1 is a front elevational view of the toilet plunger with
handle showing my new design.

FIG. 2 is a side perspective view of the toilet plunger with
handle showing my new design.

FIG. 3 is a front, right side, and top perspective view of the
toilet plunger with handle showing my new design.

FIG. 4 is a top view of the toilet plunger with handle
showing my new design; and,

FIG. 5 is a bottom view of the toilet plunger with handle
showing my new design.

1 Claim, 4 Drawing Sheets

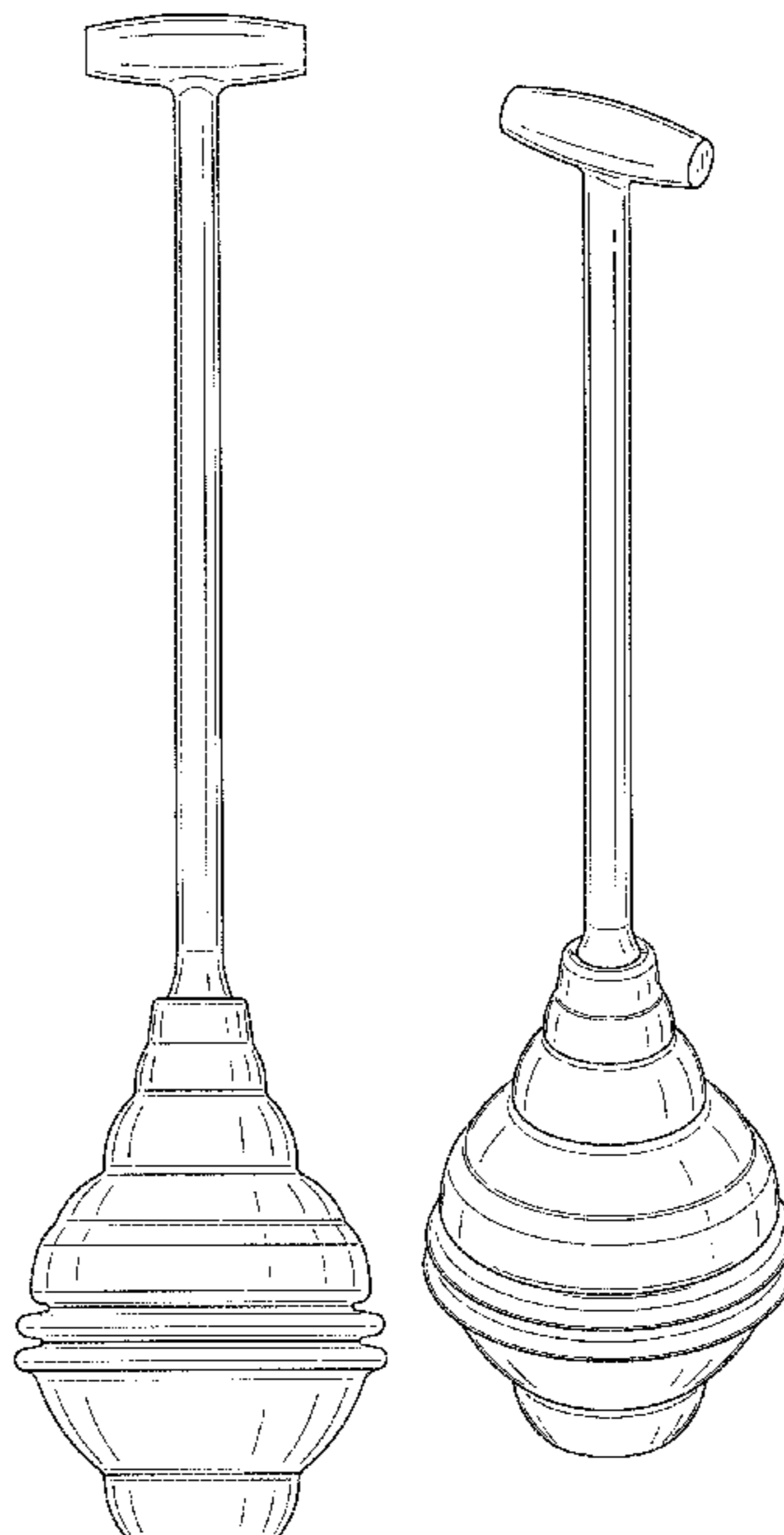


FIG. 1

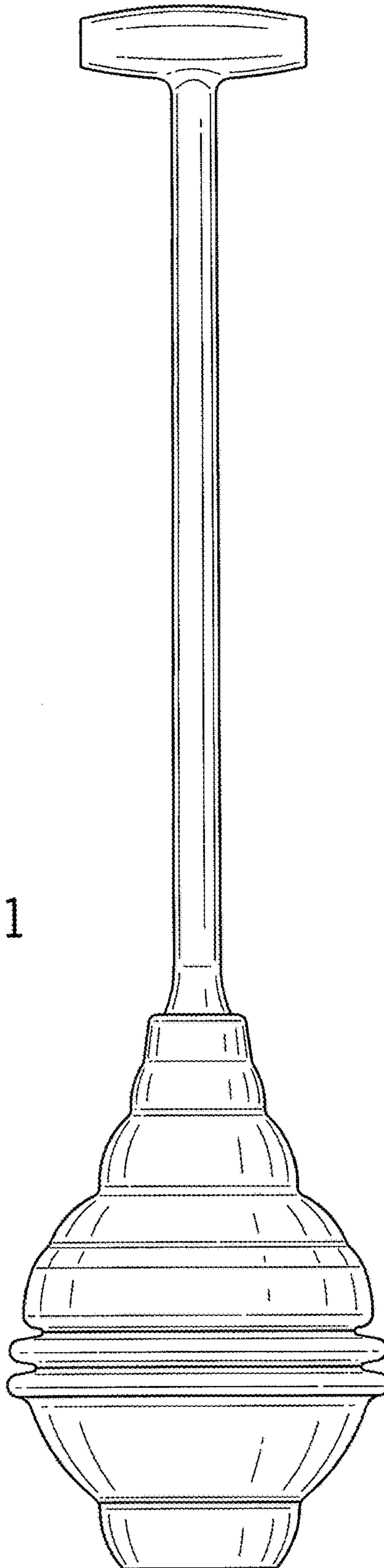


FIG. 2

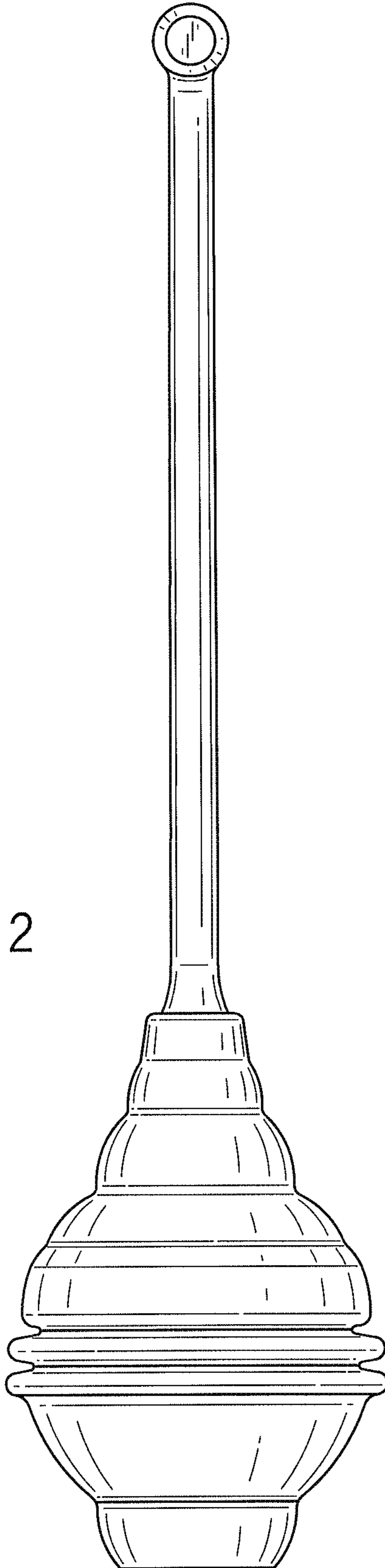
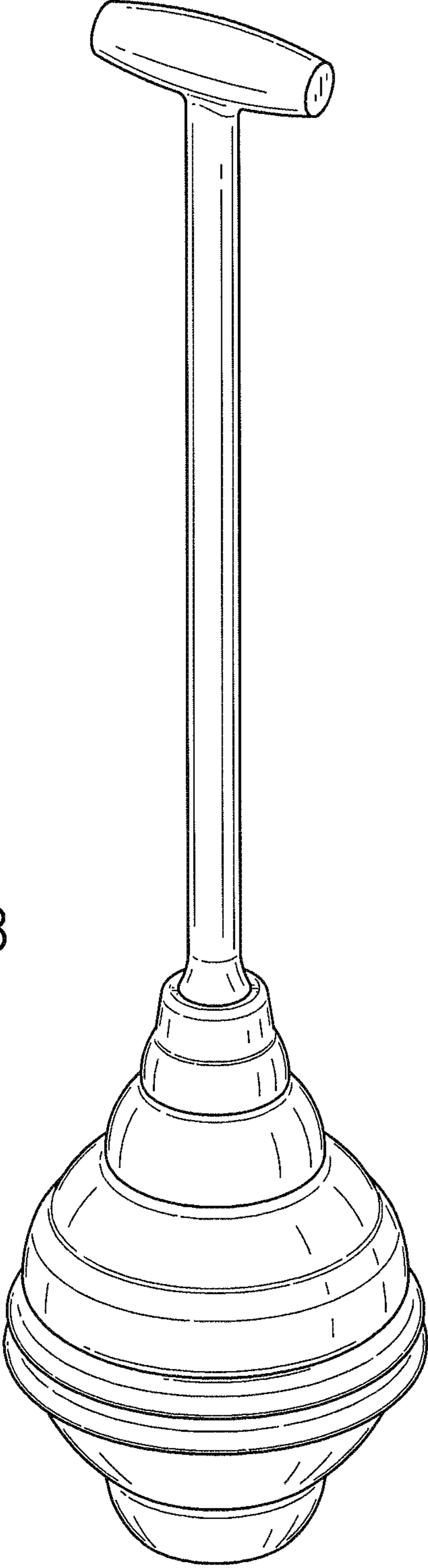


FIG. 3



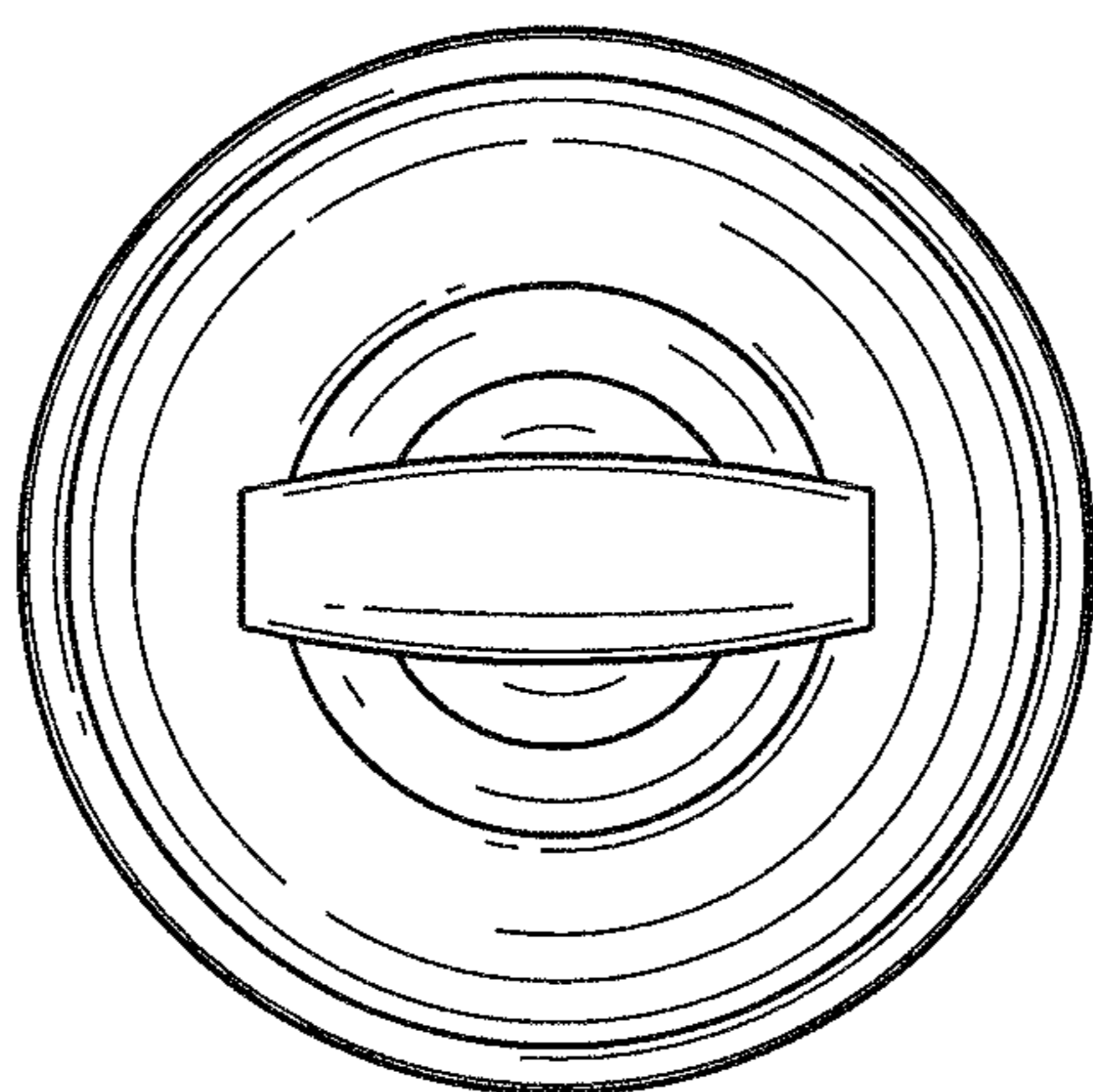


FIG. 4

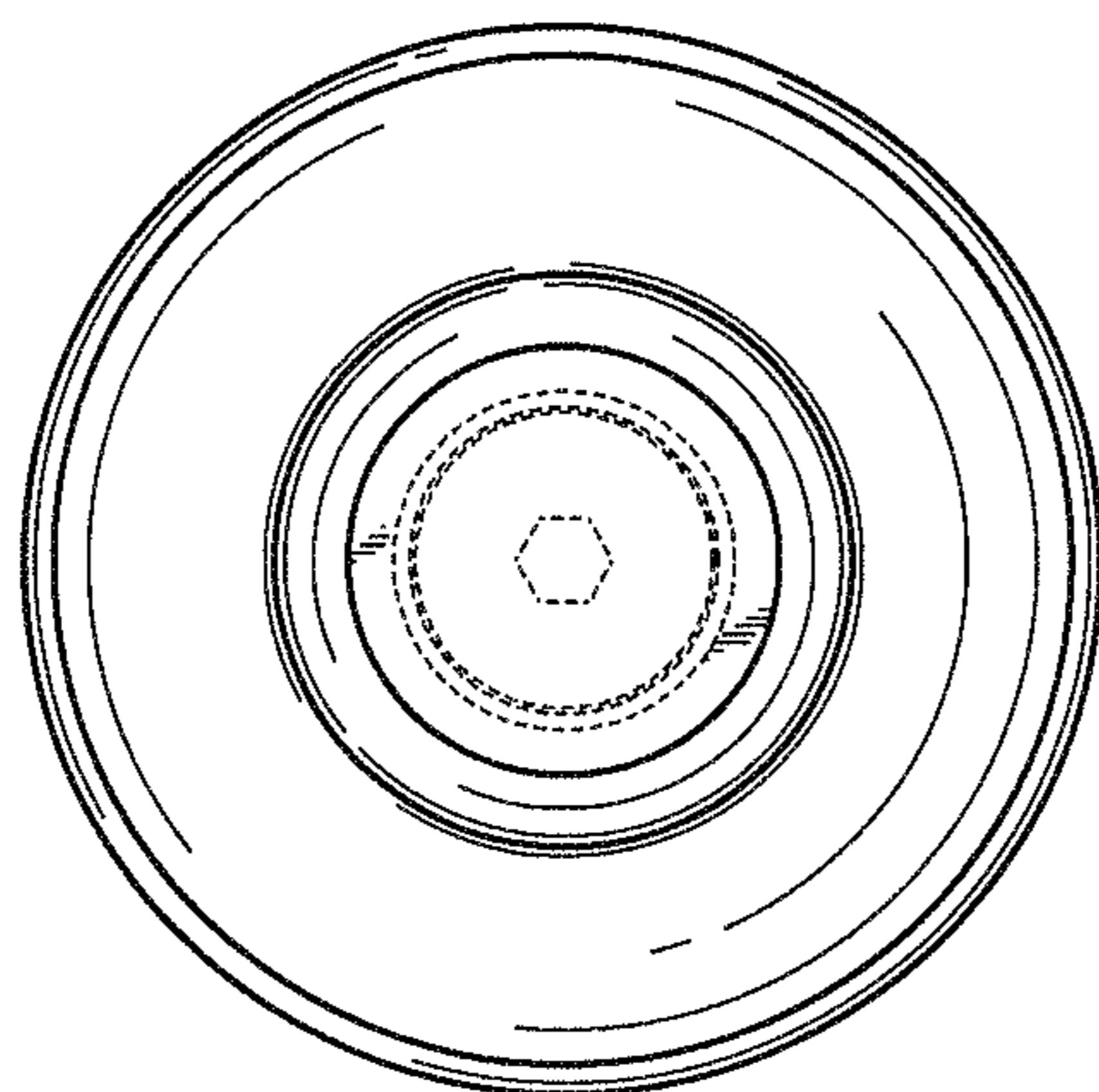


FIG. 5