



US00D828654S

(12) **United States Design Patent** (10) **Patent No.:** **US D828,654 S**
Yao (45) **Date of Patent:** **** Sep. 11, 2018**

(54) **ULTRASONIC CLEANING MACHINE**

(71) Applicant: **Shenzhen Codyson Electrical Co., Ltd.**, Shenzhen (CN)

(72) Inventor: **Xingyuan Yao**, Shenzhen (CN)

(73) Assignee: **SHENZHEN CODYSON ELECTRICAL CO., LTD.**, Shenzhen (CN)

(**) Term: **15 Years**

(21) Appl. No.: **29/608,739**

(22) Filed: **Jun. 26, 2017**

Related U.S. Application Data

(63) Continuation of application No. 29/566,817, filed on Jun. 2, 2016.

(51) **LOC (11) Cl.** **15-05**

(52) **U.S. Cl.**
USPC **D32/1**

(58) **Field of Classification Search**
USPC D32/1, 15, 16; D28/9, 73-78; D24/107, D24/117, 167, 186, 217; 451/64, 65; 134/84, 85, 6, 11, 137, 159, 184
CPC A47L 11/125; A47L 15/0086; A47L 15/0076; A47L 15/13
See application file for complete search history.

(56) **References Cited**

U.S. PATENT DOCUMENTS

D307,653 S * 5/1990 Weirsmann D32/1
D315,039 S * 2/1991 Wortham D32/1
D593,262 S * 5/2009 Gong D24/217

D633,260 S * 2/2011 Choi D32/1
D633,663 S * 3/2011 Choi D32/1
D678,634 S * 3/2013 Liao D32/1
D685,540 S * 7/2013 Yao D32/1
D688,839 S * 8/2013 Helm D32/1
D748,872 S * 2/2016 Yao D32/1
D763,521 S * 8/2016 Yao D32/1
D778,004 S * 1/2017 Yao D32/1
D778,005 S * 1/2017 Yao D32/1
D781,509 S * 3/2017 Yao D32/1
D796,749 S * 9/2017 Kessler D32/1
D808,091 S * 1/2018 Pan D32/1

* cited by examiner

Primary Examiner — Susan Bennett Hattan

Assistant Examiner — Rebecca Tsehaye

(74) *Attorney, Agent, or Firm* — Matthias Scholl, PC; Matthias Scholl

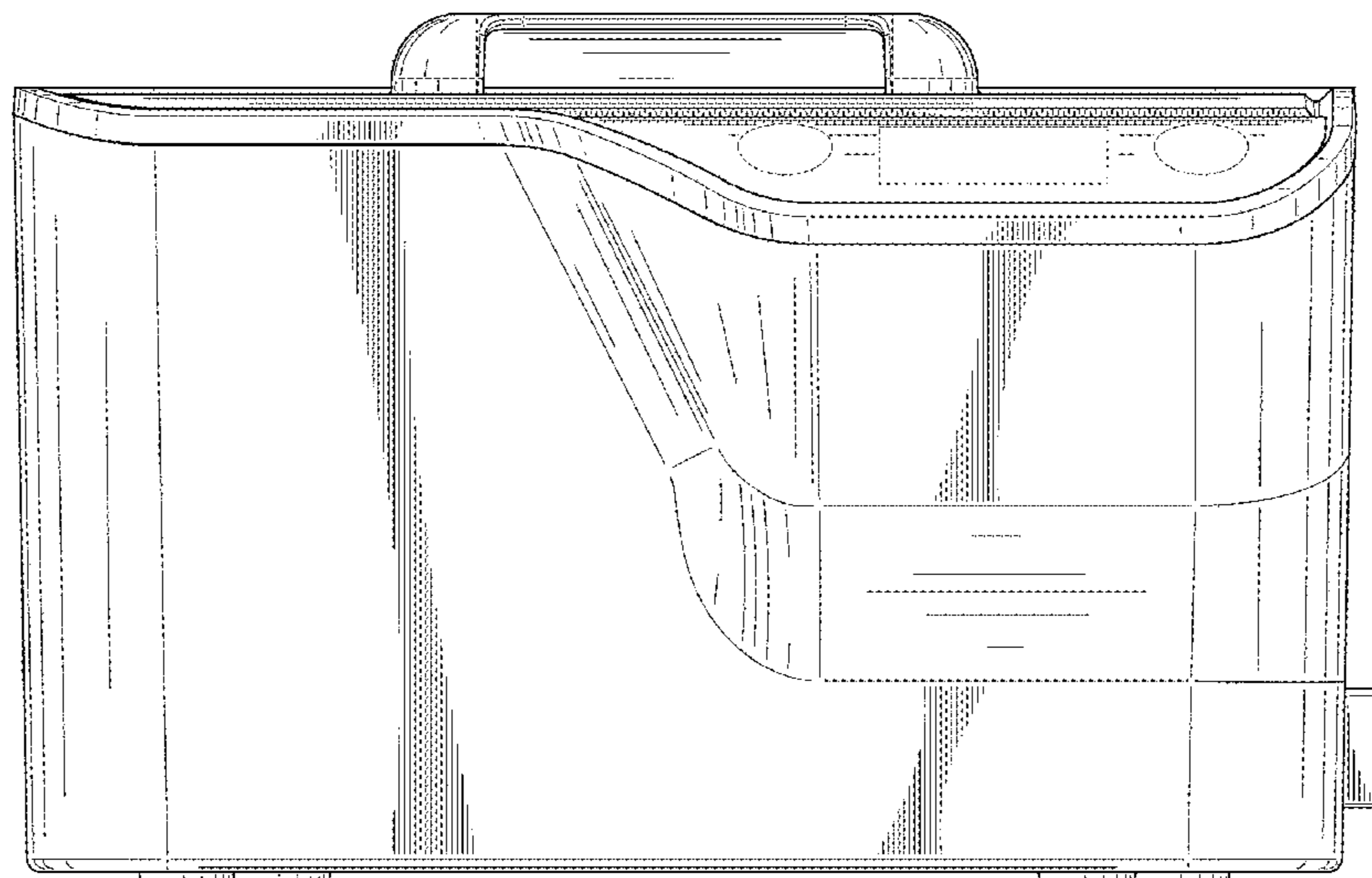
(57) **CLAIM**

The ornamental design for an ultrasonic cleaning machine, as shown and described.

DESCRIPTION

FIG. 1 is a front elevational view of an ultrasonic cleaning machine;
FIG. 2 is a rear elevational view thereof;
FIG. 3 is a left side elevational view thereof;
FIG. 4 is a right side elevational view thereof;
FIG. 5 is a top plan view thereof;
FIG. 6 is a bottom plan view thereof;
FIG. 7 is a perspective view thereof; and,
FIG. 8 is a bottom perspective view thereof.
The broken lines in the drawing depict the boundary of the claim. It is understood that the claim extends to the boundary but that the boundary forms no part of the claim.

1 Claim, 8 Drawing Sheets



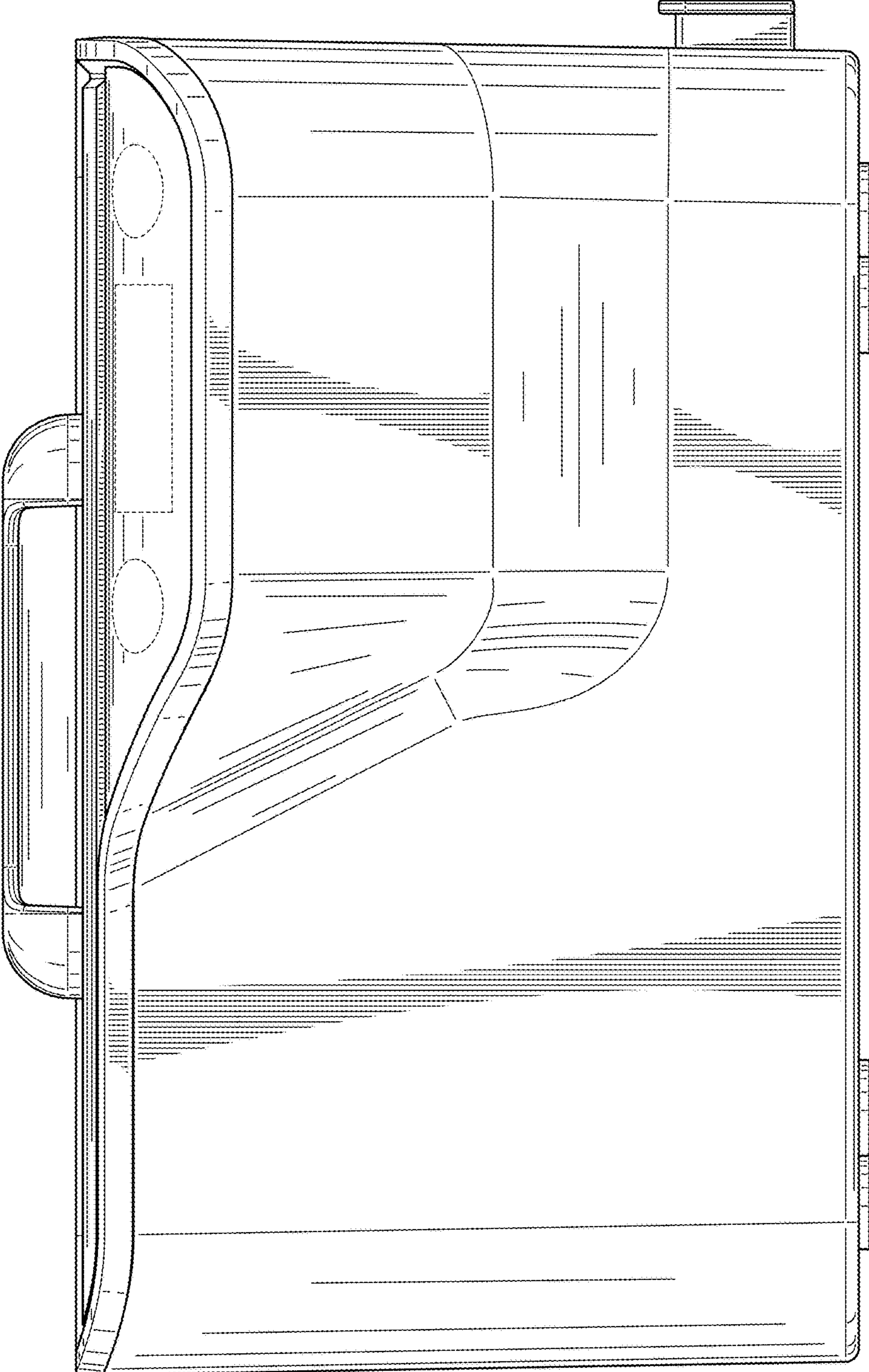


FIG. 1

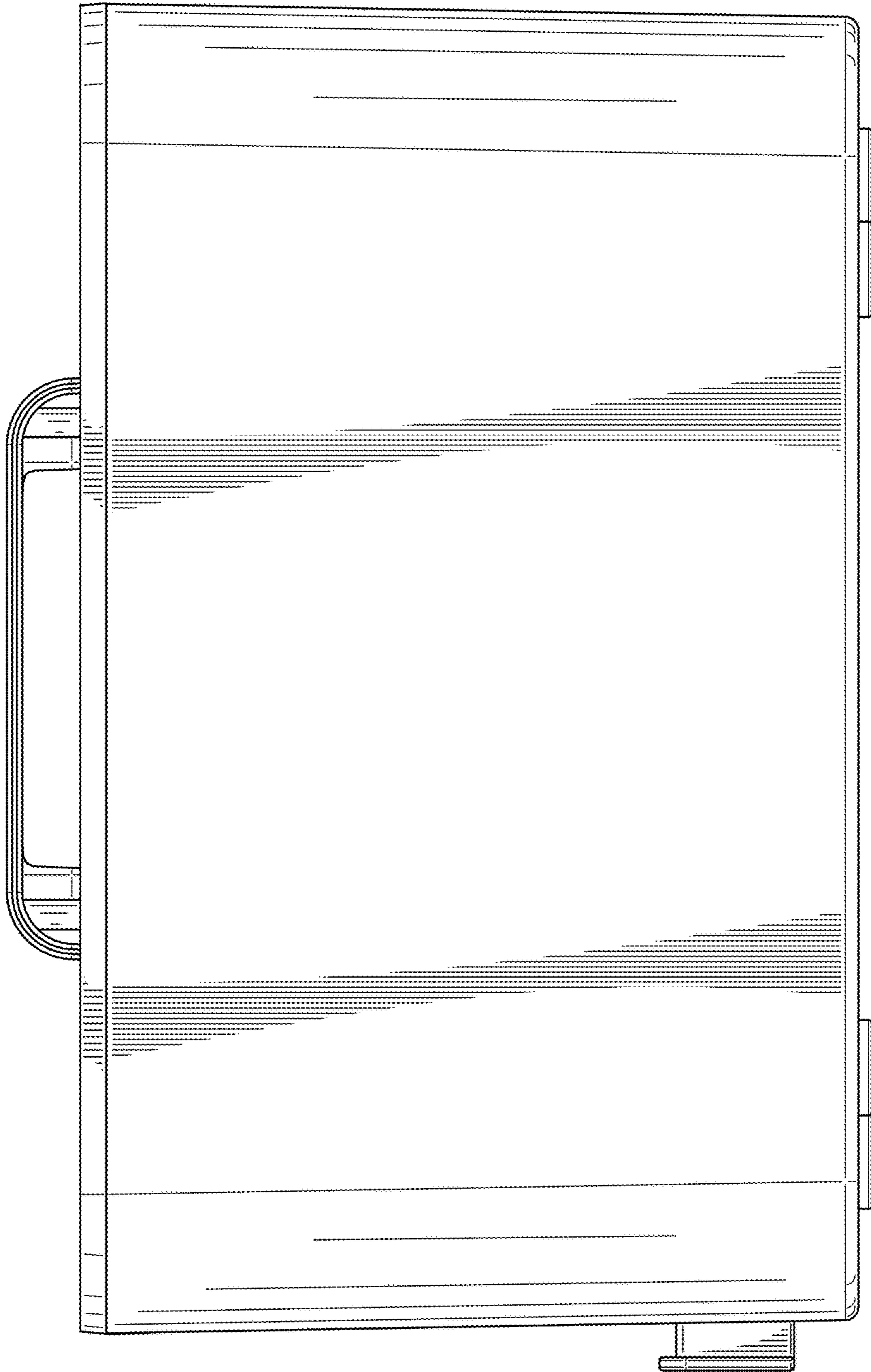


FIG. 2

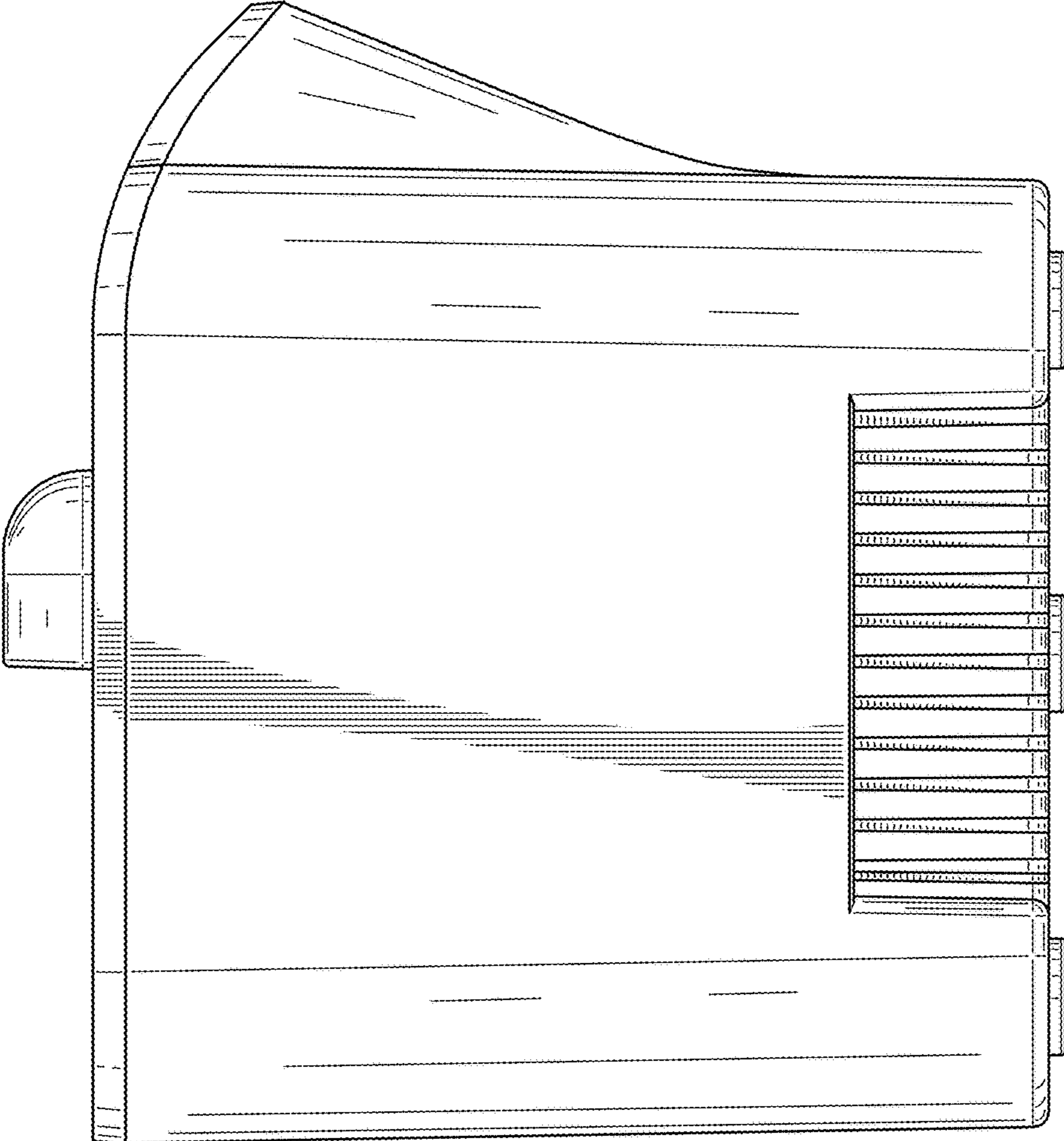


FIG. 3

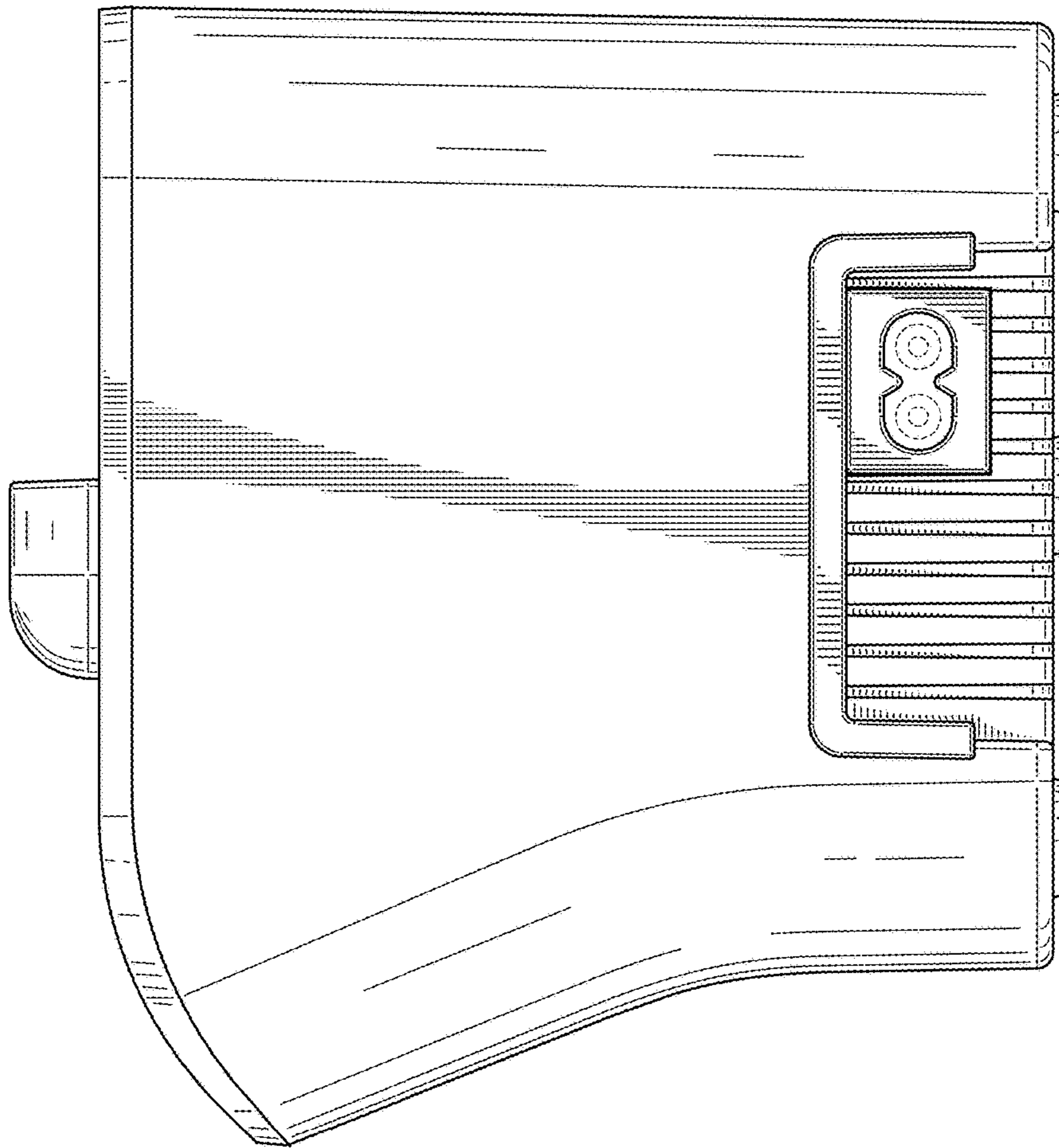


FIG. 4

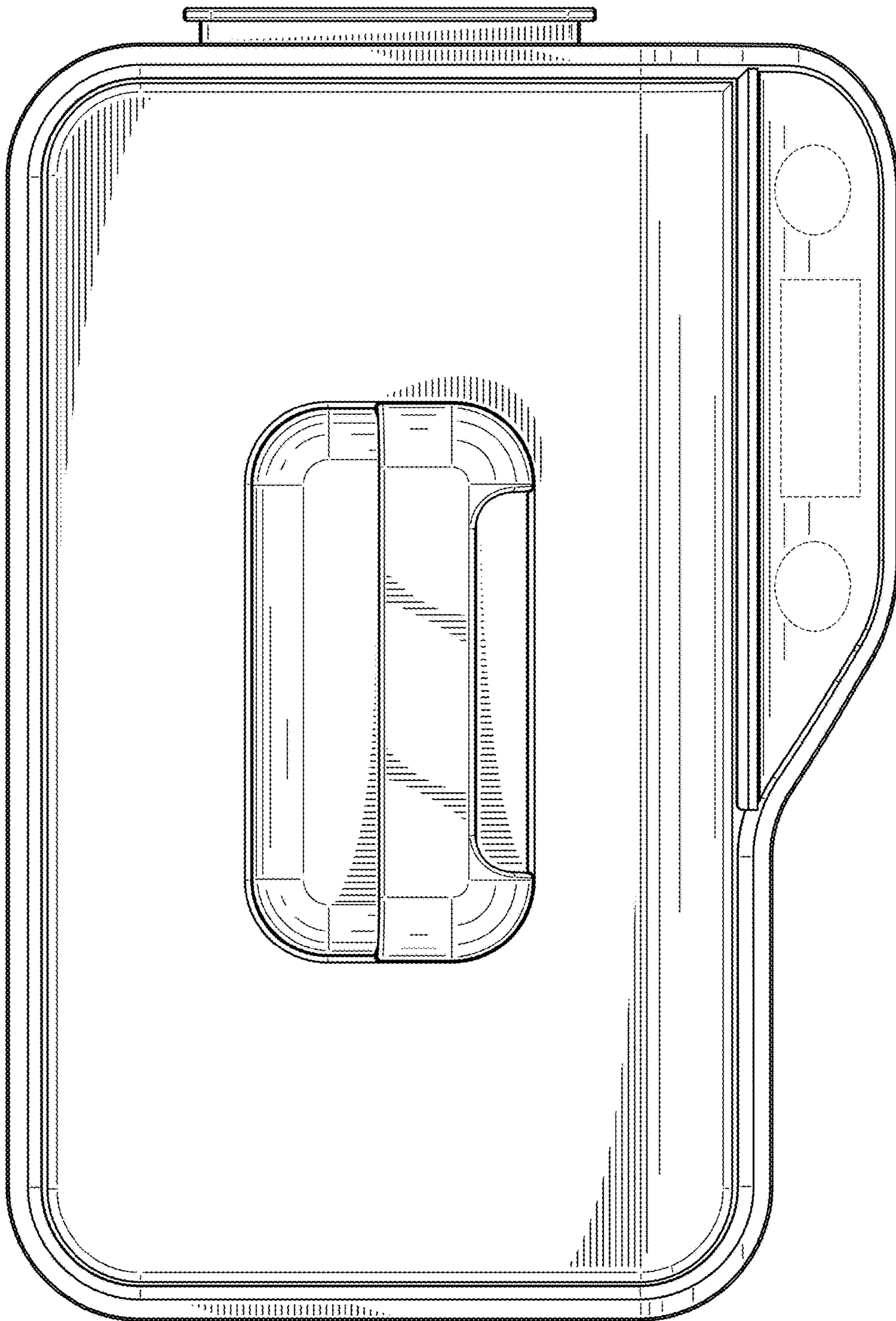


FIG. 5

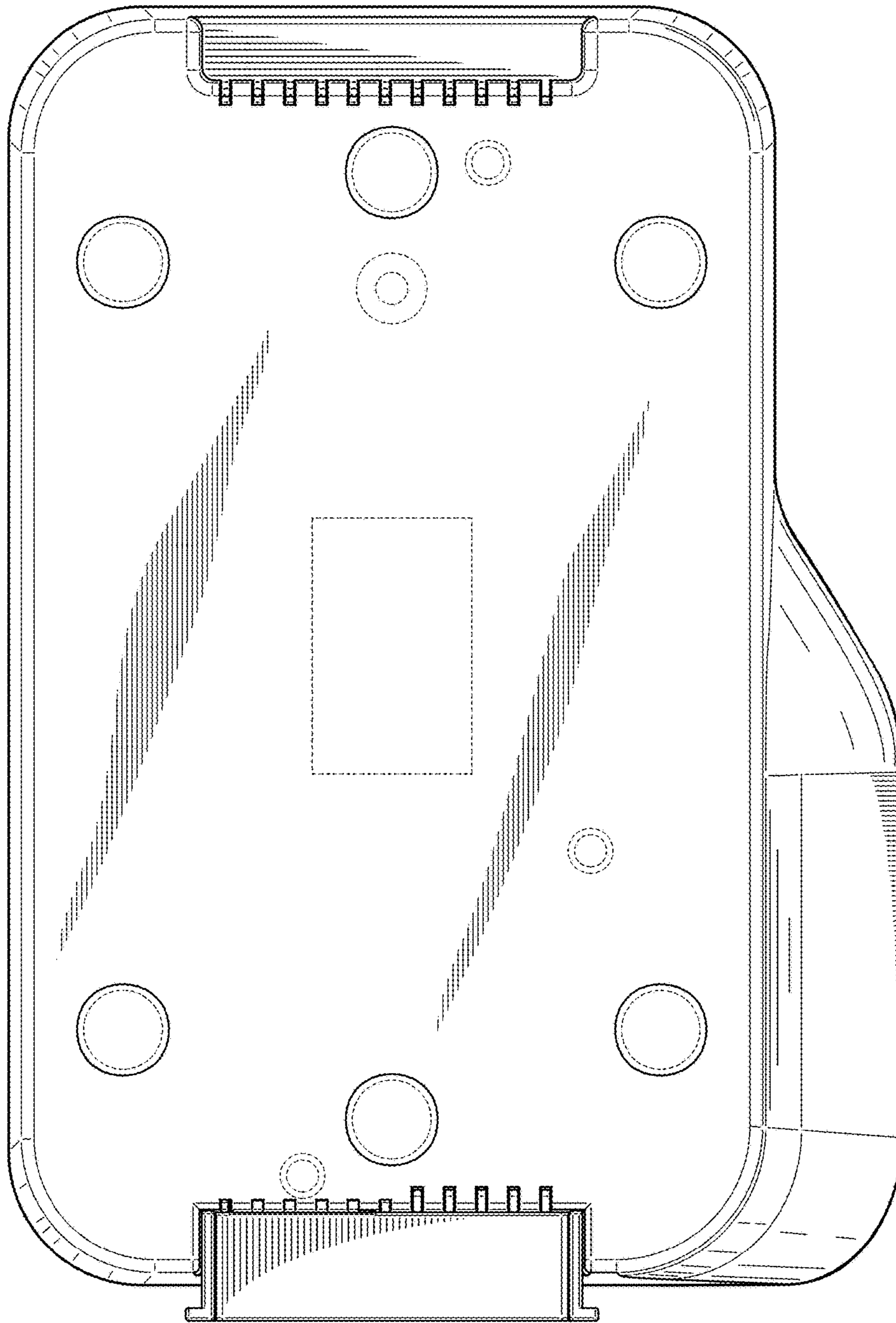


FIG. 6

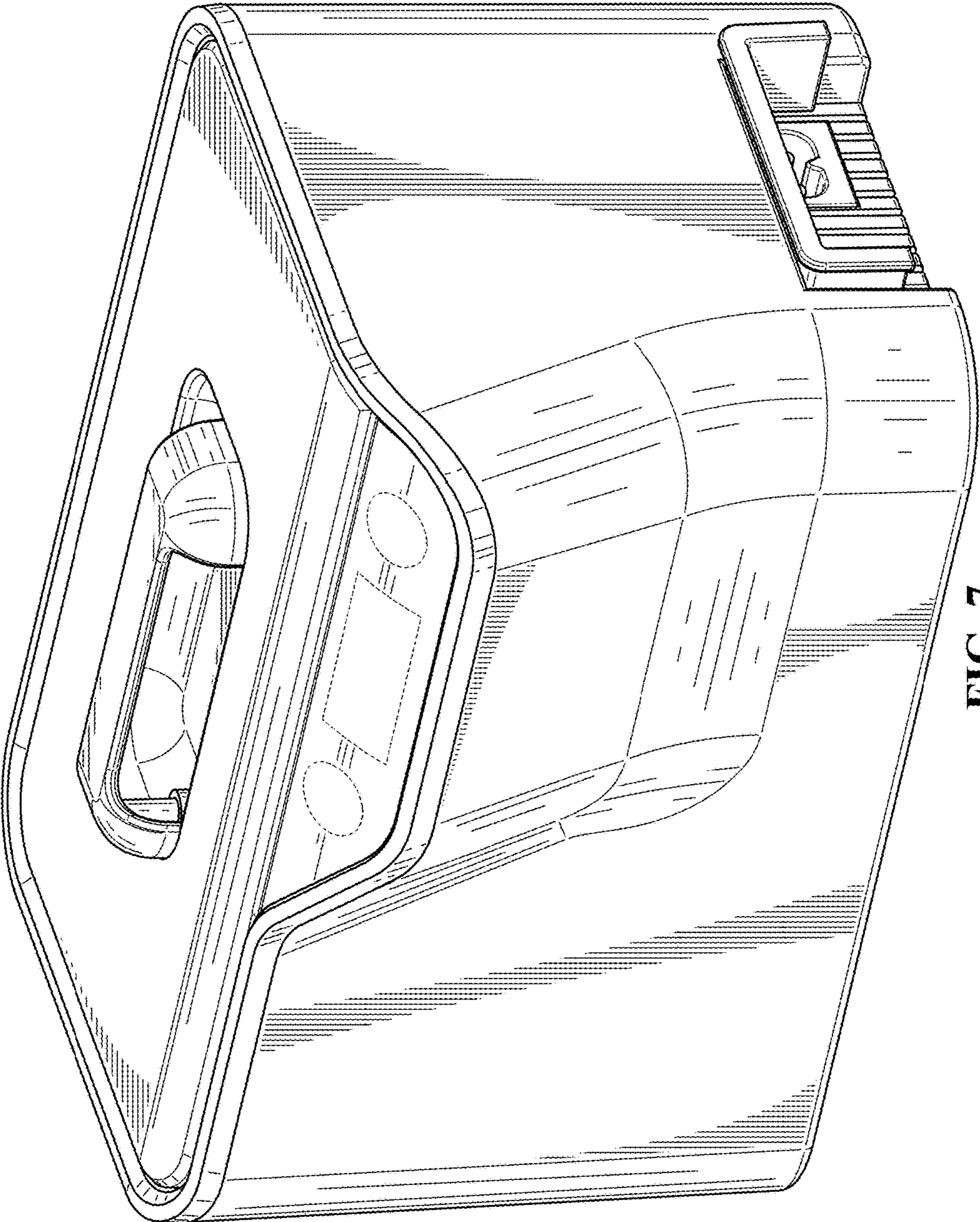


FIG. 7

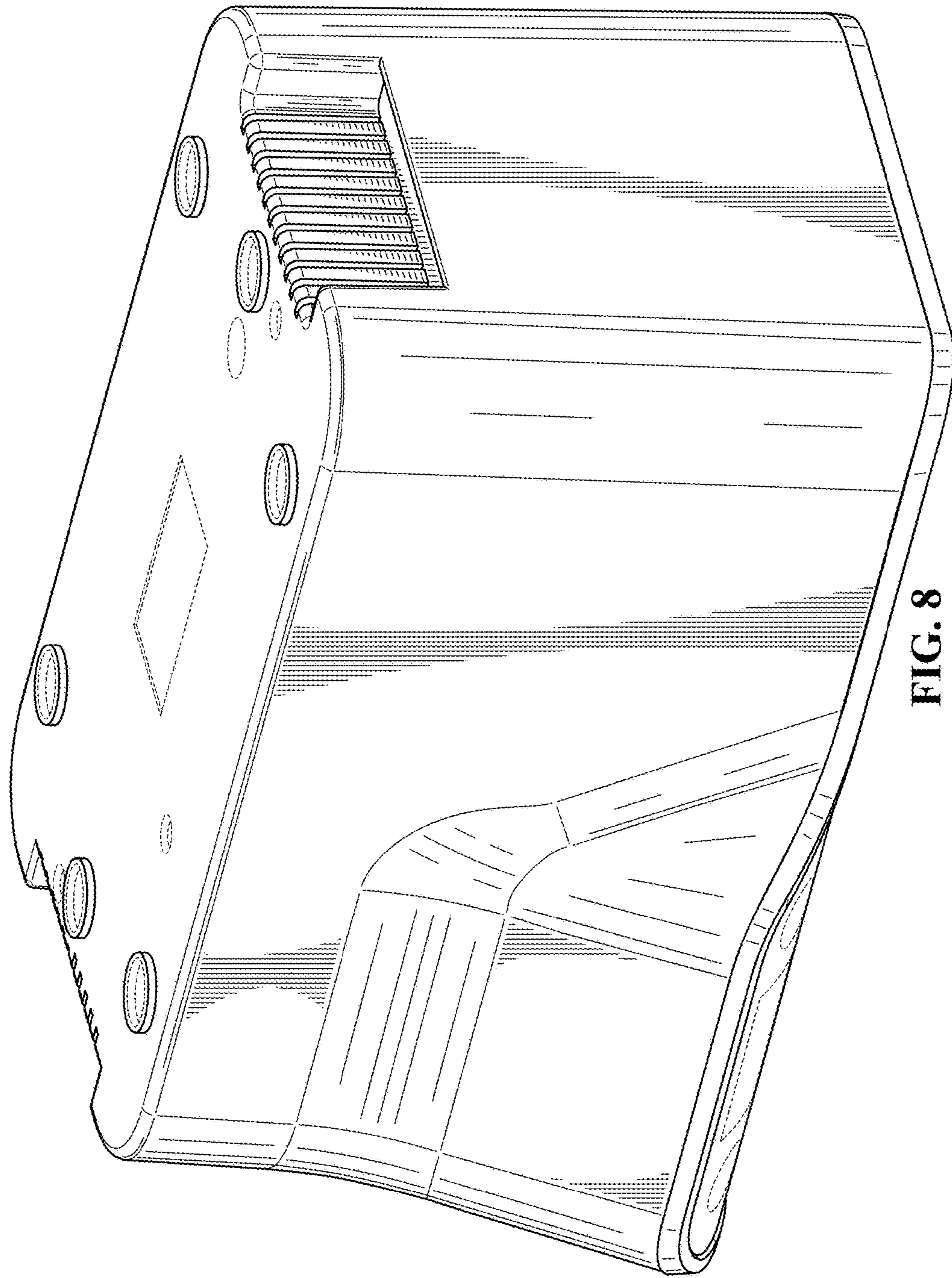


FIG. 8