



US00D828651S

(12) **United States Design Patent**  
**Comerford**

(10) **Patent No.:** **US D828,651 S**

(45) **Date of Patent:** **\*\* Sep. 11, 2018**

(54) **CAT TOY**

(71) Applicant: **Paul Harry Comerford**, Murrieta, CA (US)

(72) Inventor: **Paul Harry Comerford**, Murrieta, CA (US)

(73) Assignees: **The Pet Product Factory LLC**, Las Vegas, NV (US); **The OurPets Company**, Fairport Harbor, OH (US)

(\*\*) Term: **15 Years**

(21) Appl. No.: **29/559,007**

(22) Filed: **Mar. 23, 2016**

(51) **LOC (11) Cl.** ..... **30-99**

(52) **U.S. Cl.**  
USPC ..... **D30/160**

(58) **Field of Classification Search**  
USPC ..... D30/160; D21/656  
CPC .. A01K 15/024; A01K 15/025; A01K 15/026;  
A01K 15/027  
See application file for complete search history.

(56) **References Cited**

**U.S. PATENT DOCUMENTS**

1,224,430	A *	5/1917	Thurman	.....	A63H 11/04 446/314
1,265,926	A *	5/1918	Ludlam	.....	A01K 15/025 119/710
D396,184	S *	7/1998	Adams	.....	D21/656

D555,299	S *	11/2007	Tsengas	.....	D30/160
D555,300	S *	11/2007	Tsengas	.....	D30/160
D569,052	S *	5/2008	Lamstein	.....	D21/656
D589,659	S *	3/2009	Semler	.....	D30/160
2005/0022751	A1*	2/2005	Nelson	.....	A01K 15/025 119/709

\* cited by examiner

*Primary Examiner* — Cathy A MacCormac  
(74) *Attorney, Agent, or Firm* — Quickpatents, LLC;  
Kevin Prince

(57) **CLAIM**

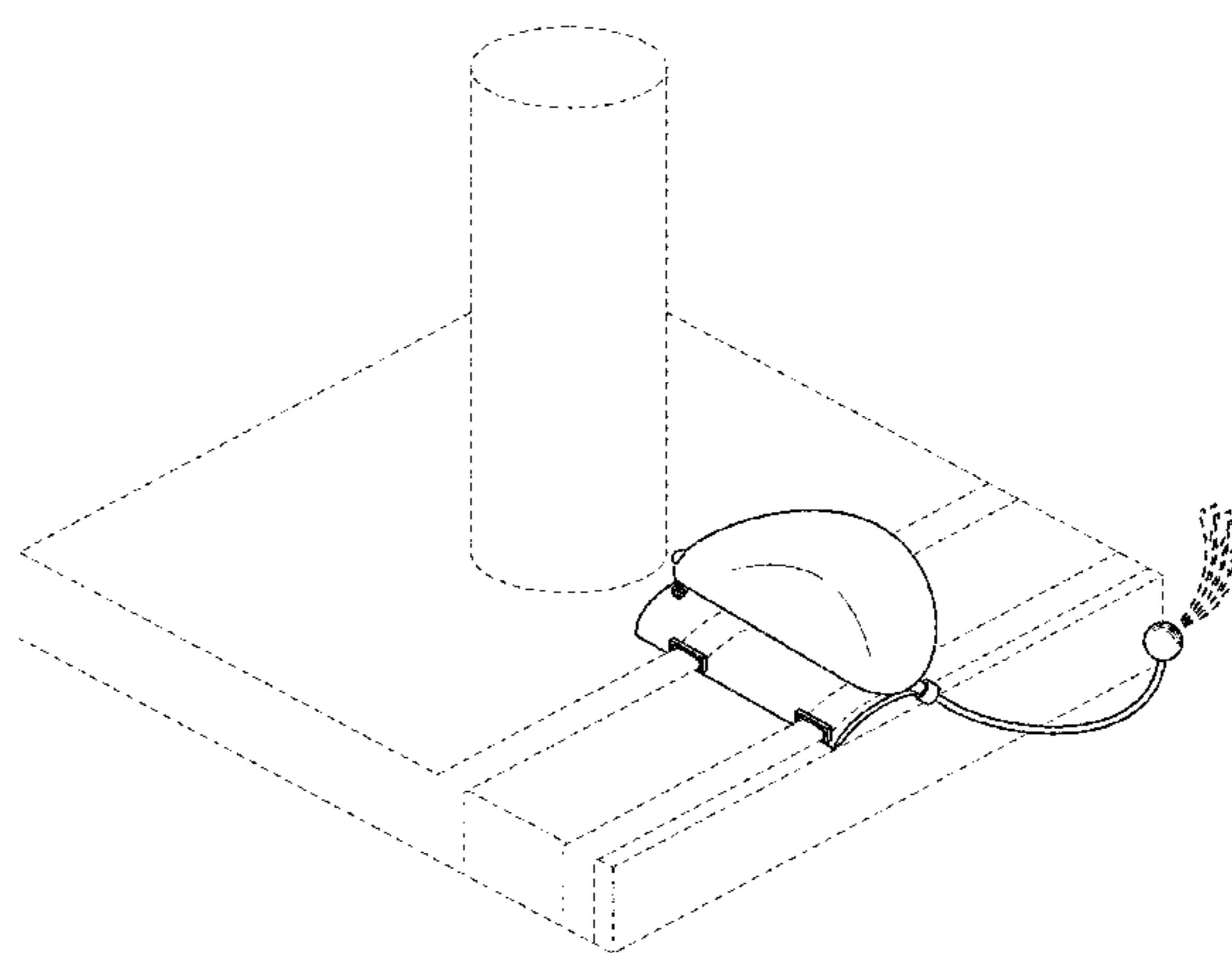
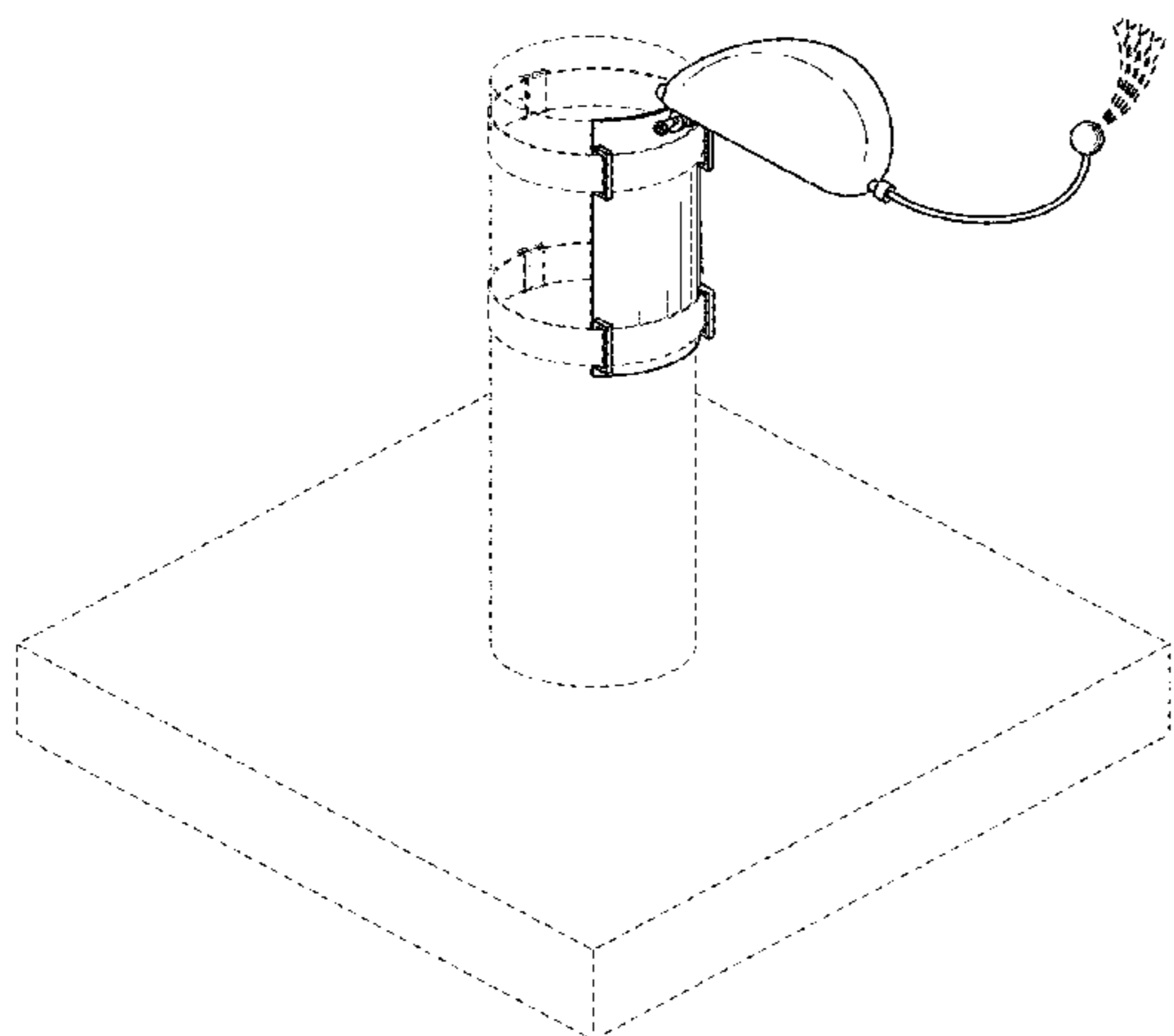
I claim the ornamental design for a cat toy, as shown and described.

**DESCRIPTION**

FIG. 1 is a top perspective view of a cat toy, showing my new design in an extended position;  
FIG. 2 is a rear elevational view thereof;  
FIG. 3 is a front elevational view thereof;  
FIG. 4 is a right side elevational view thereof, the left side elevational view being a mirror image of the right side shown;  
FIG. 5 is a top plan view thereof;  
FIG. 6 is a bottom plan view thereof;  
FIG. 7 is a top perspective view thereof, illustrated in a collapsed position; and,  
FIG. 8 is a top perspective view thereof, illustrated in a collapsed position.

The broken lines in the figures depict environmental subject matter and form no part of the claimed design.

**1 Claim, 5 Drawing Sheets**



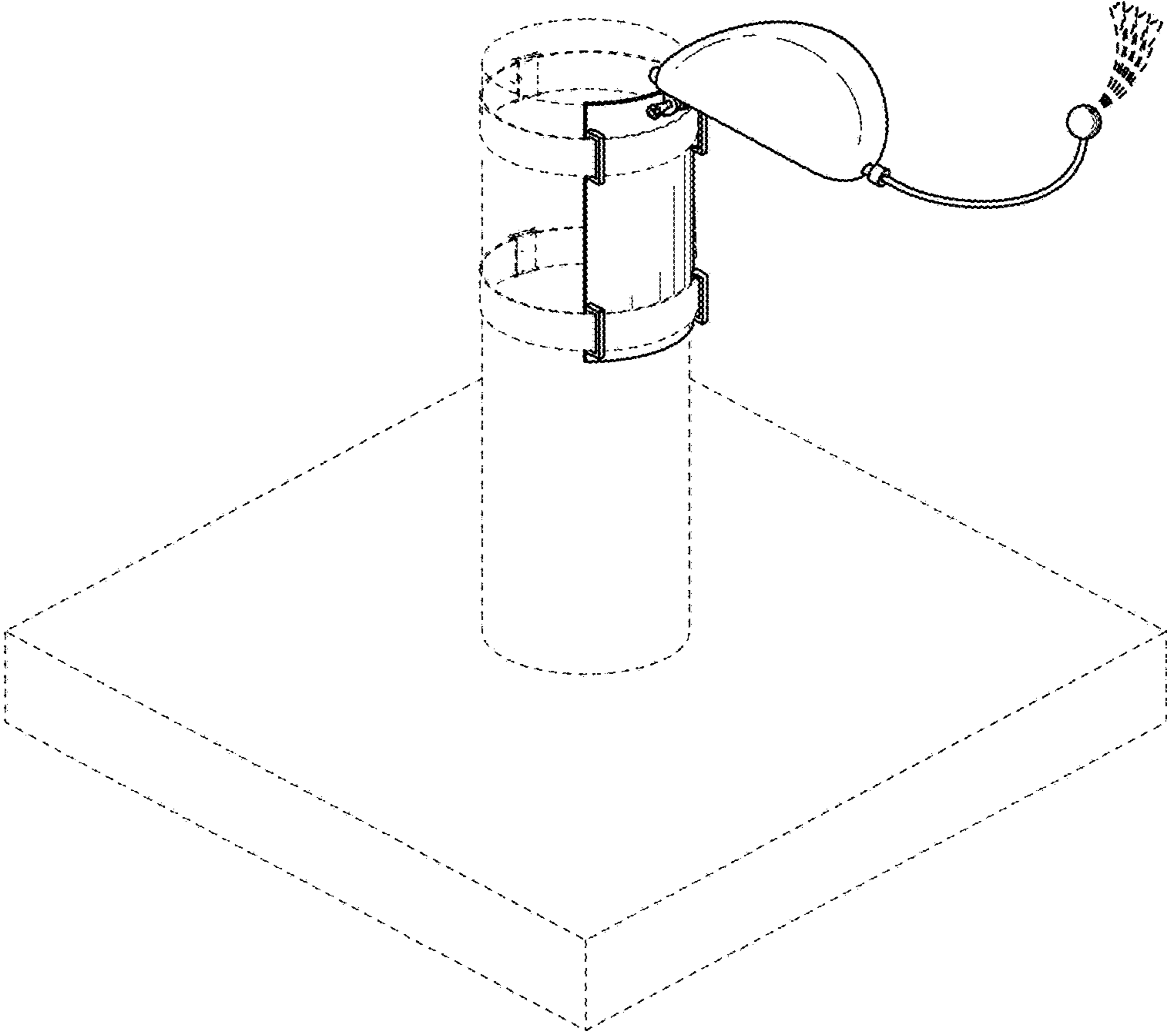


FIG. 1

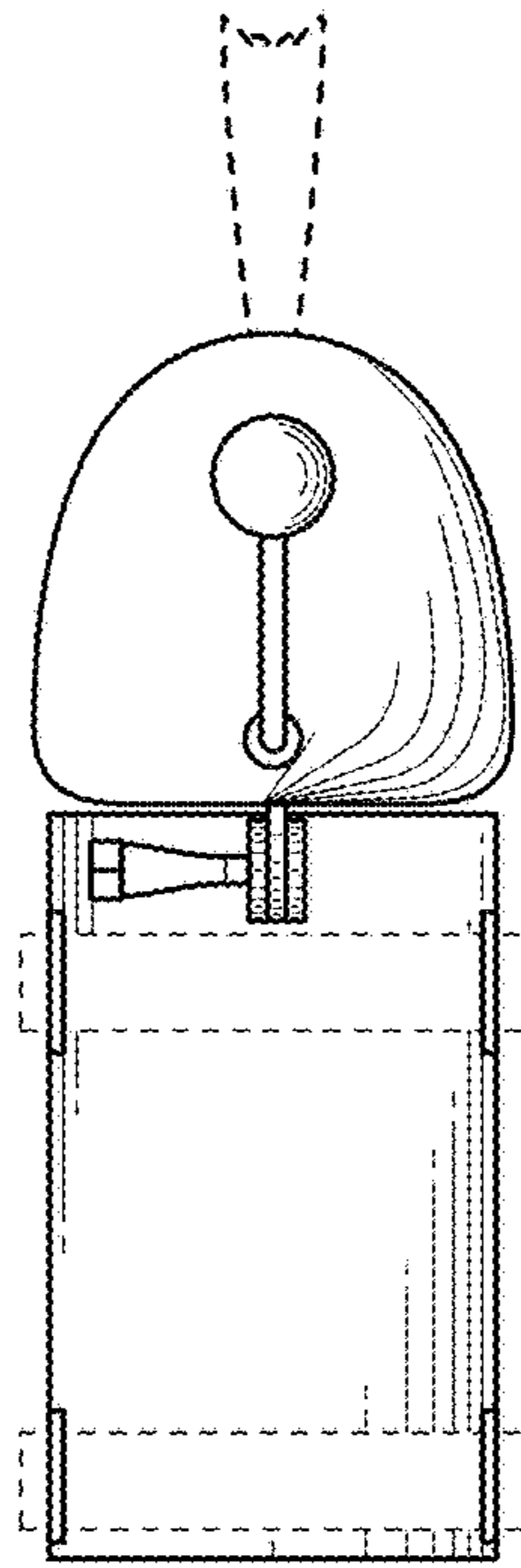


FIG. 2

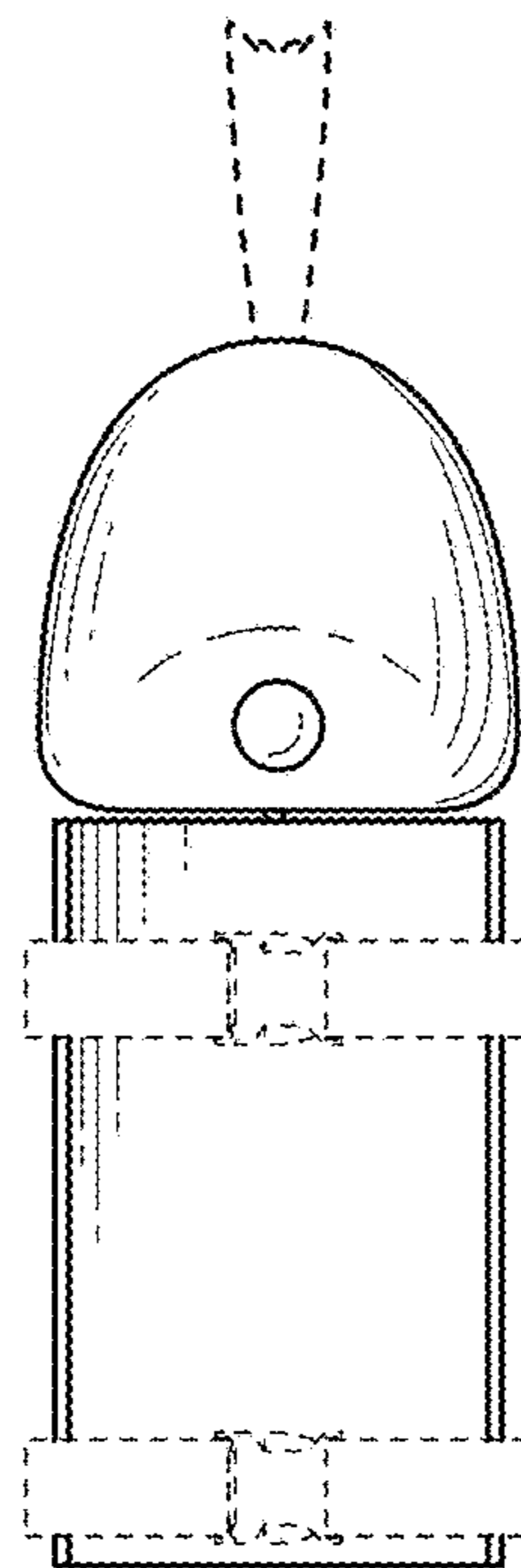


FIG. 3

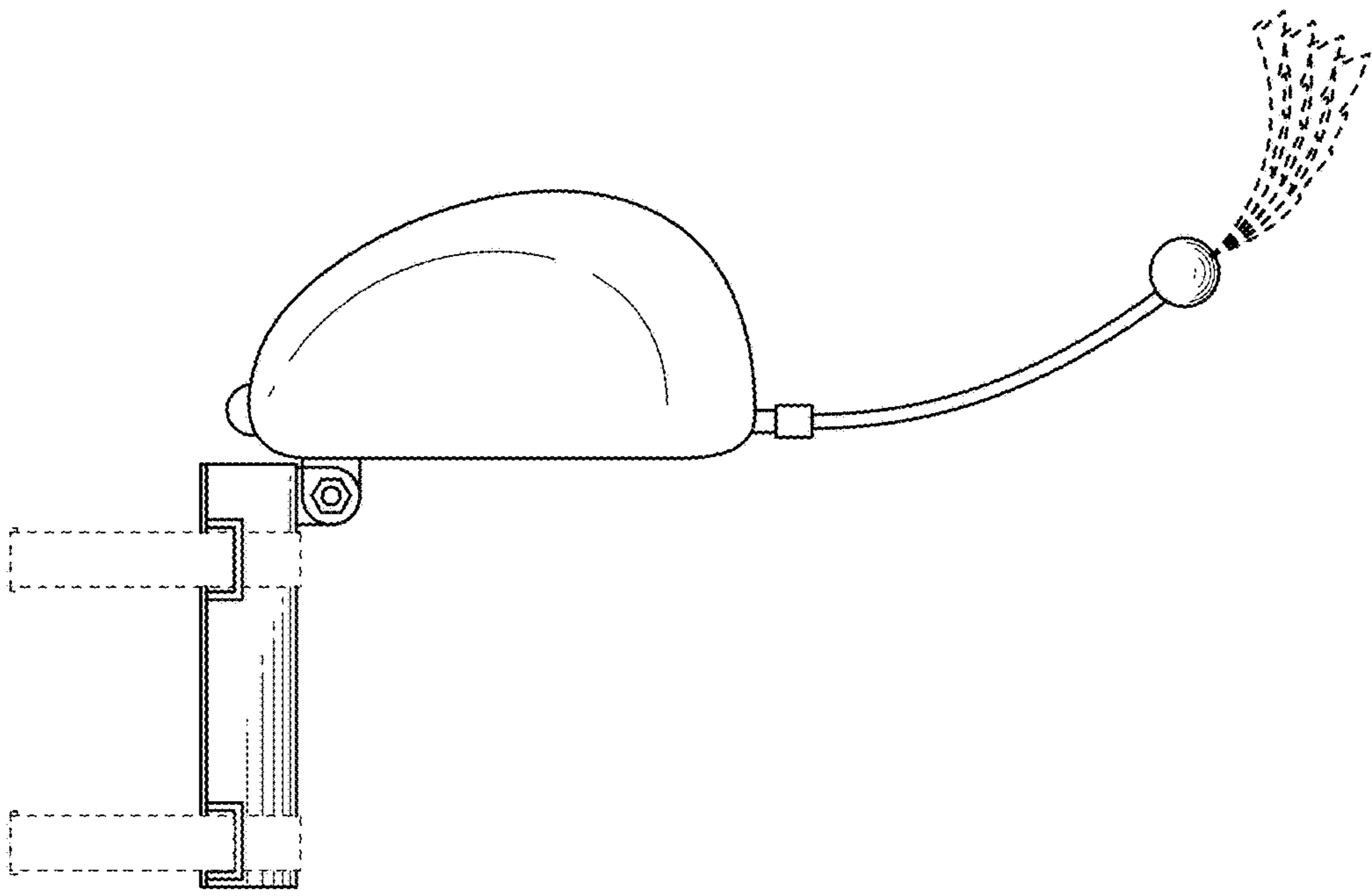


FIG. 4

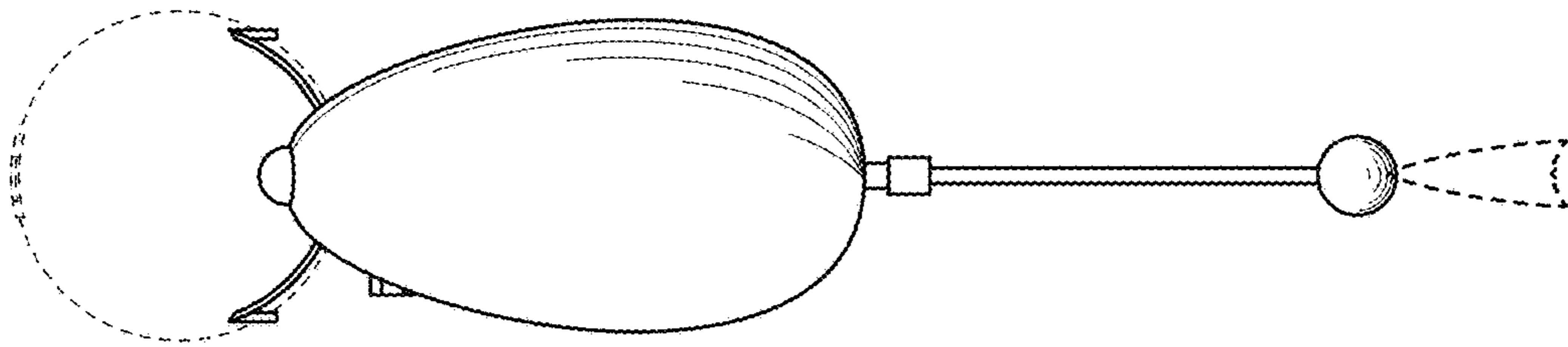


FIG. 5

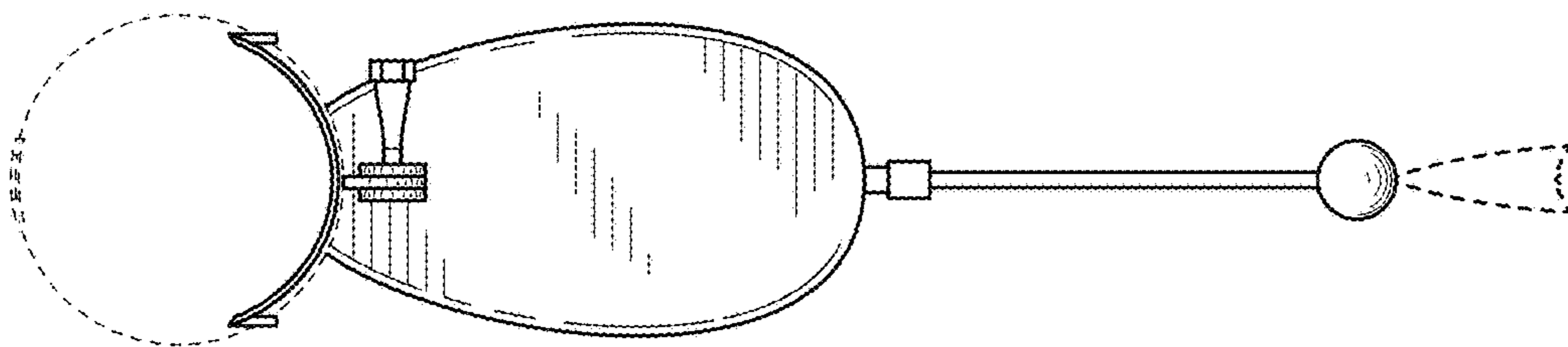


FIG. 6

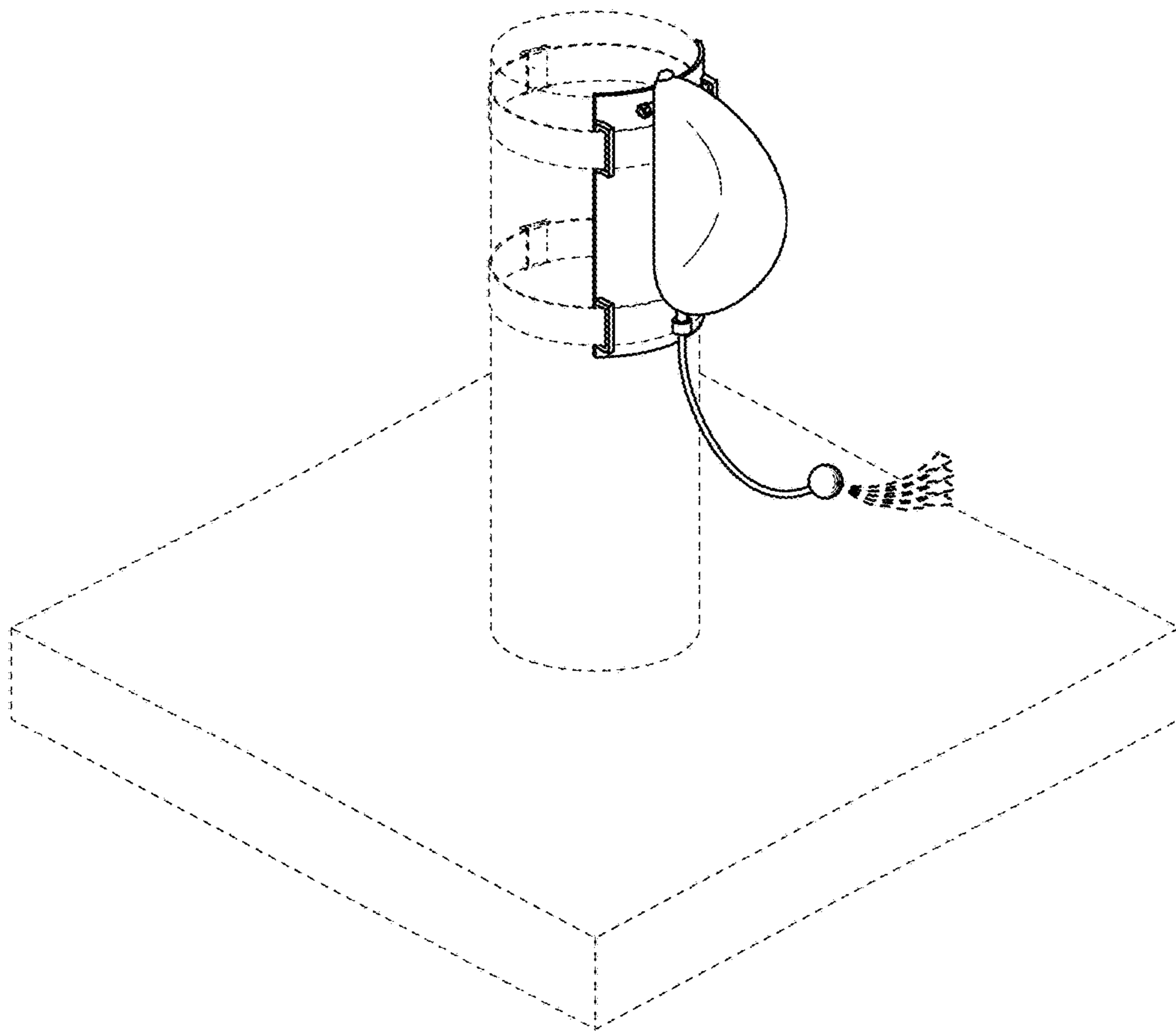


FIG. 7

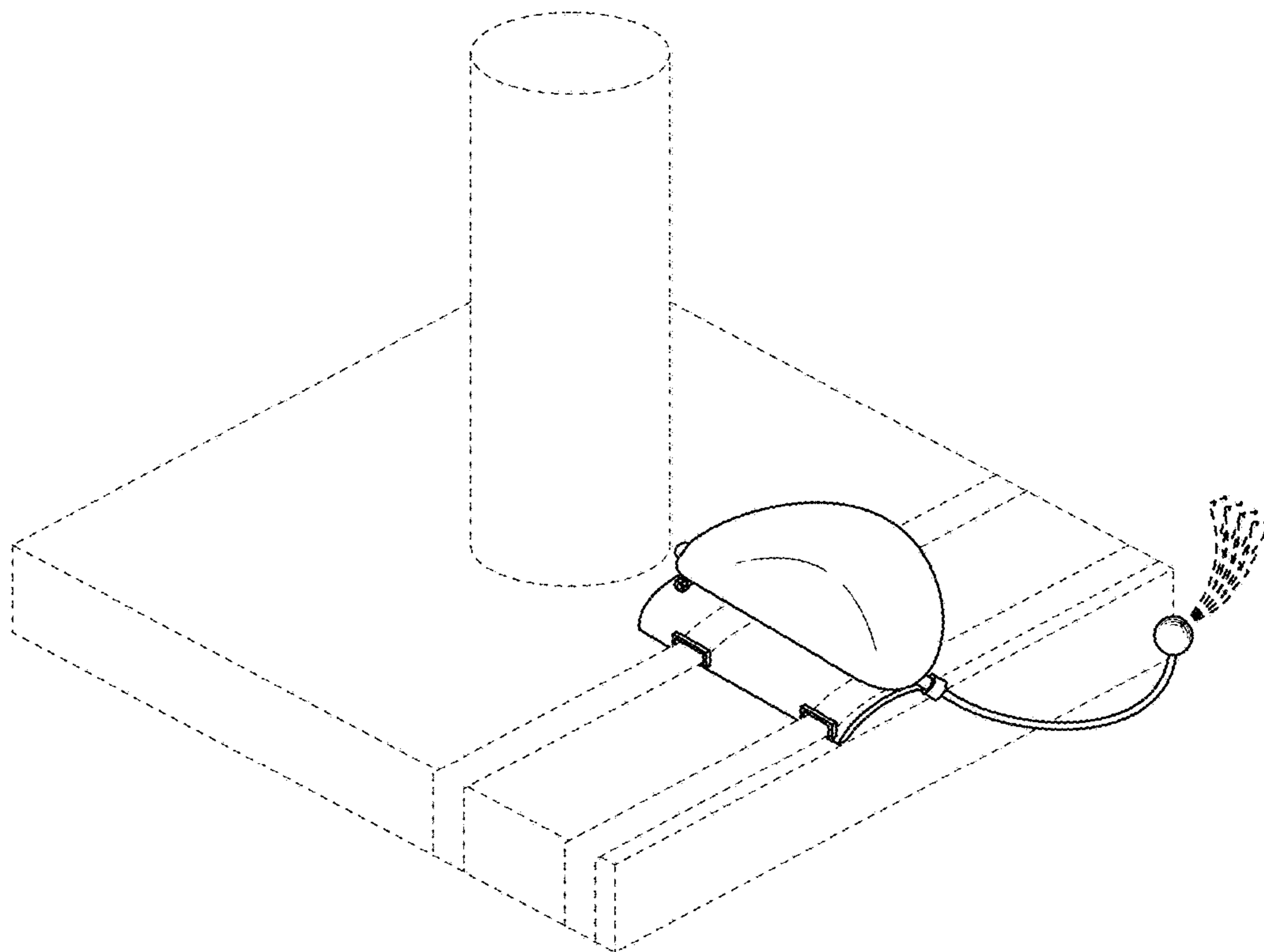


FIG. 8