



US00D828647S

(12) **United States Design Patent** (10) **Patent No.:** **US D828,647 S**
Bergeron (45) **Date of Patent:** **** Sep. 11, 2018**

(54) **DOUBLE-SIDED PET BOWL**
(71) Applicant: **BAT Ventures LLC**, Hope, RI (US)
(72) Inventor: **Grace Bergeron**, Hope, RI (US)
(73) Assignee: **BAT VENTURES LLC**, Hope, RI (US)
(**) Term: **15 Years**
(21) Appl. No.: **29/584,074**
(22) Filed: **Nov. 11, 2016**
(51) **LOC (11) Cl.** **30-03**
(52) **U.S. Cl.**
USPC **D30/129**
(58) **Field of Classification Search**
USPC D30/121, 122, 129-133; 119/61.5, 51.01, 119/61.56, 51.03, 59, 62, 63, 51.5, 57.8, 119/74, 61.54, 61.55; 312/204; 248/151, 248/188; 108/156, 153.1-157; 220/23.87, 630, 737, 743, 9.4, 495.01, 220/574, 212, 255, 23.83; 206/515; D7/586, 543, 550.1, 587, 505, 584, 545, D7/500, 553.1-553.8, 546, 555, 556, 504, D7/565, 562, 602, 360, 358, 355, 354, D7/612; D9/429; 43/109; D22/122; 99/430, DIG. 15, 348, 324, 359; D23/299
CPC A01K 5/0114; A01K 5/01; A01K 5/0135; A01K 7/005; A01K 7/00; A01K 7/02; A01K 5/0142; A01K 5/0121; A01K 5/0128; A01K 27/004; A01K 39/014; A01K 39/00; A01K 39/02; A01K 39/0113; A47J 43/0727; A47J 36/02; A47J 27/00; A47J 27/002; A47J 27/004; A47J 27/04; A47J 27/08; A47J 27/086; A47J 2027/006; A47J 2027/008; A47J 2027/043; A47J 33/00; A47J 36/00; A47J 36/24; A47J 41/00; A47J 44/00; A01M 29/34; B29C 65/48; B65D 81/36; A47G 19/12; A47G 2019/122

See application file for complete search history.

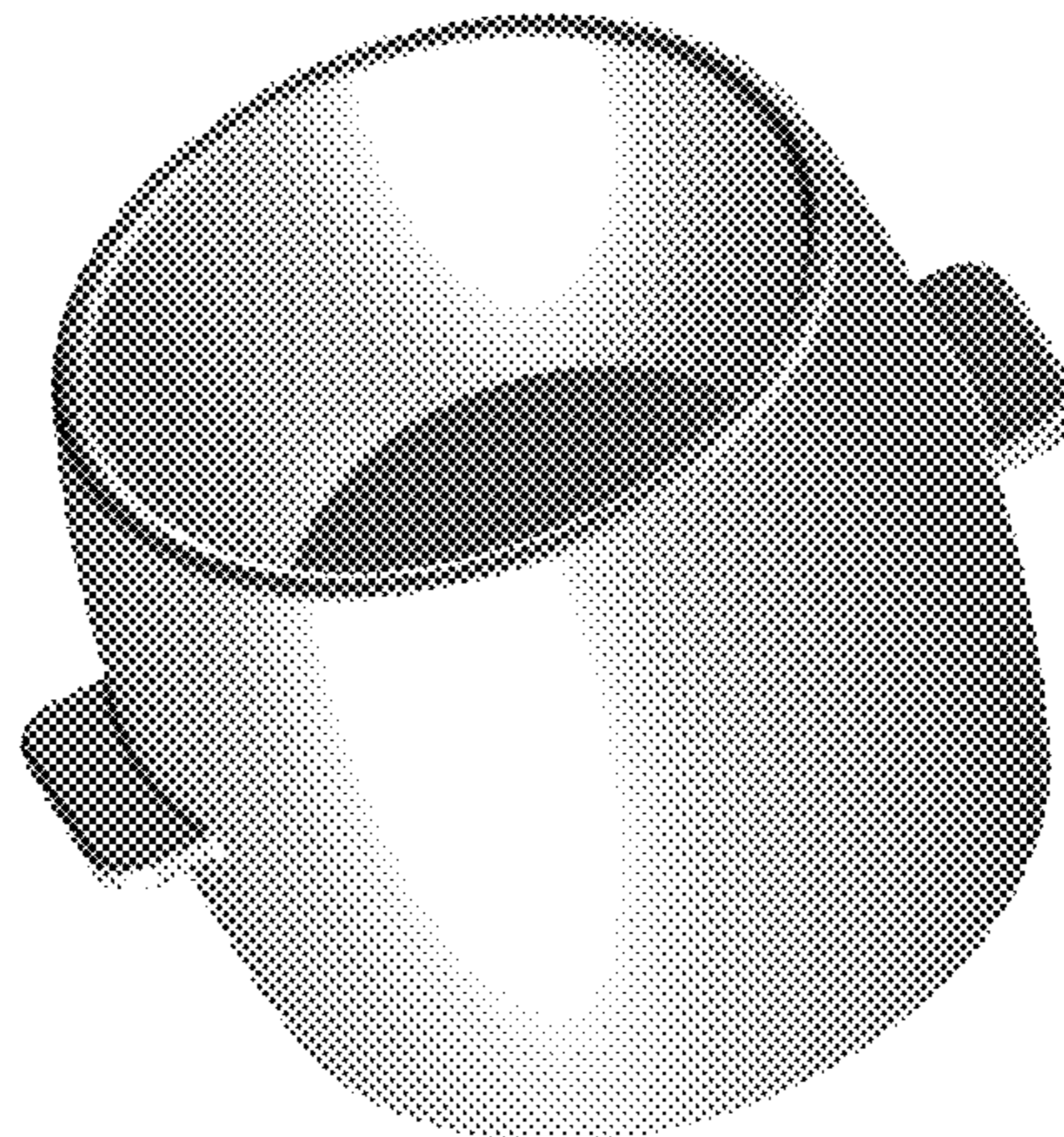
(56) **References Cited**
U.S. PATENT DOCUMENTS
712,793 A * 11/1902 Henis, et al. A47J 27/10 220/573.4
D56,761 S * 12/1920 Miller D30/129
D158,107 S * 4/1950 Lidholm D7/612
D161,793 S * 1/1951 Sellon, Jr. D7/354
D169,747 S * 6/1953 Hawkins D7/358
D172,715 S * 7/1954 Hogan D22/120
D177,570 S * 5/1956 James D7/612
D179,407 S * 12/1956 Bliss D7/612
(Continued)

Primary Examiner — Susan Moon Lee
(74) *Attorney, Agent, or Firm* — Barlow, Josephs & Holmes, Ltd.

(57) **CLAIM**
The ornamental design for a double-sided pet bowl, as shown and described.

DESCRIPTION
FIG. 1 is a perspective view of the double sided pet bowl in accordance with the present invention;
FIG. 2 is a front view thereof, it being understood that the rear is a mirror image thereof;
FIG. 3 is a right side view thereof, it being understood that the left side is a mirror image thereof;
FIG. 4 is a top view thereof, it being understood that the bottom view is a mirror image thereof;
FIG. 5 is a perspective view of an alternative embodiment of the double sided pet bowl in accordance with the present invention;
FIG. 6 is a front view thereof, it being understood that the rear is a mirror image thereof;
FIG. 7 is a right side view thereof, it being understood that the left side is a mirror image thereof; and,
FIG. 8 is a top view thereof, it being understood that the bottom view is a mirror image thereof.

1 Claim, 8 Drawing Sheets



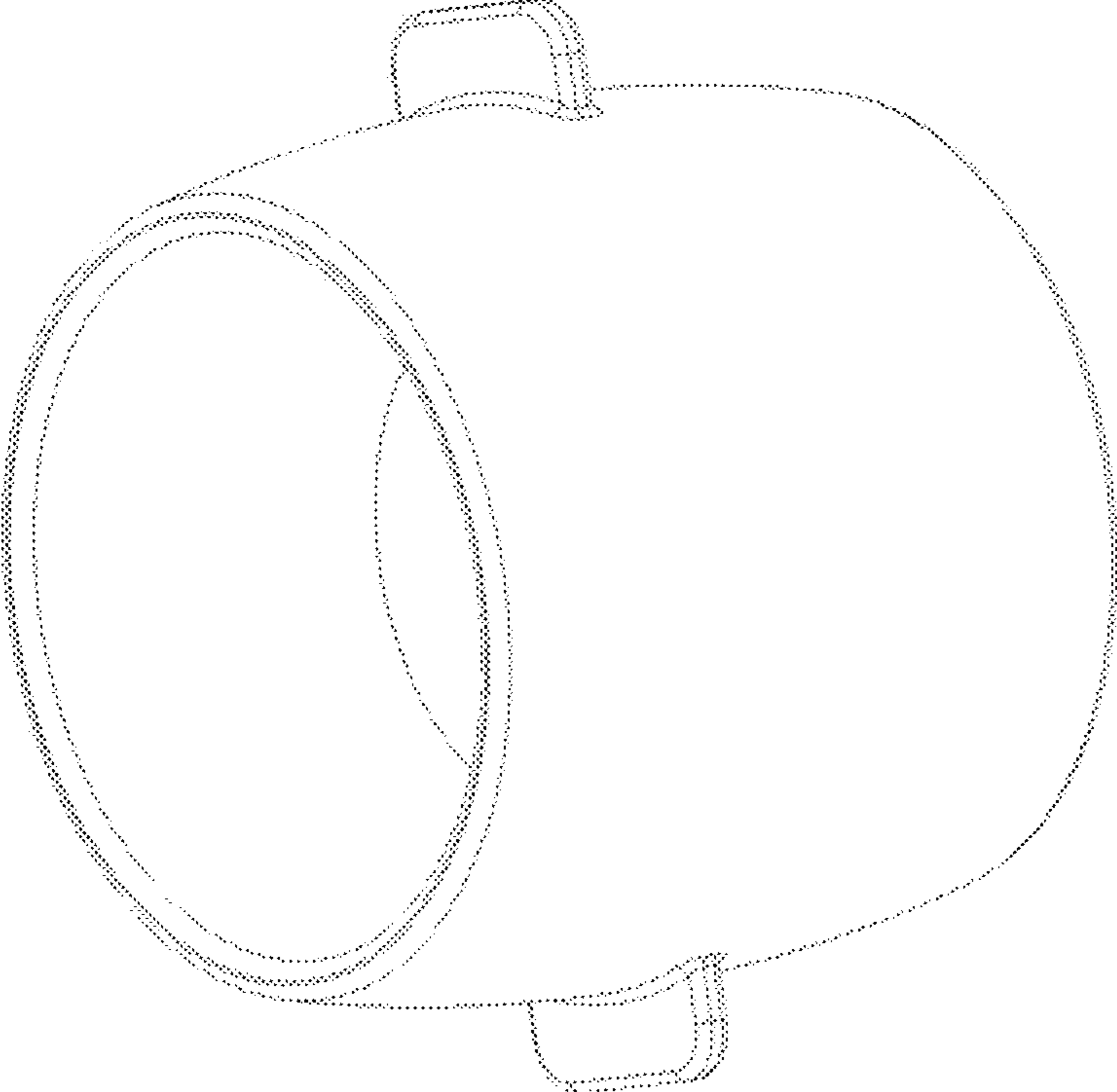


FIG. 1

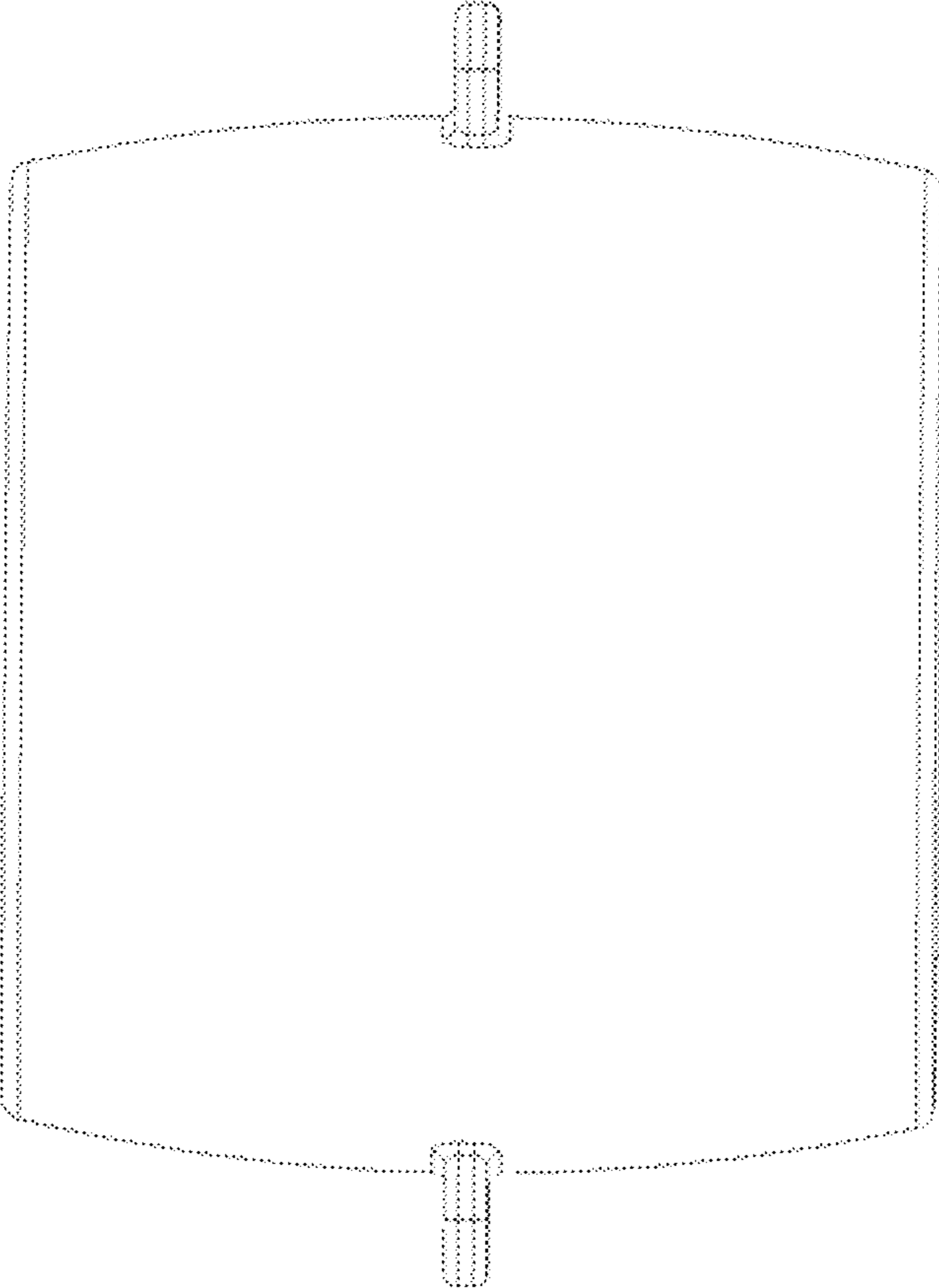


FIG. 2

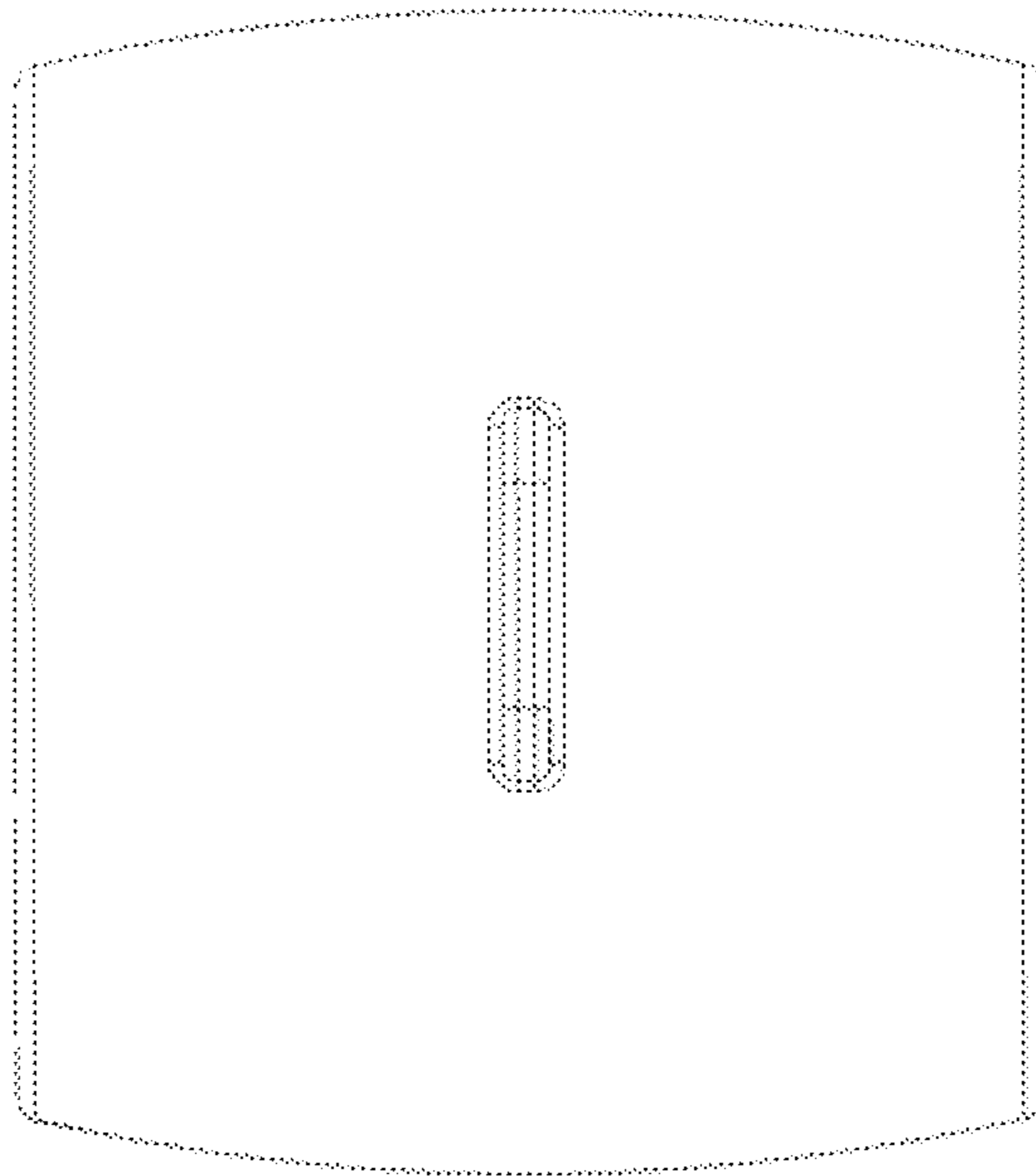


FIG. 3

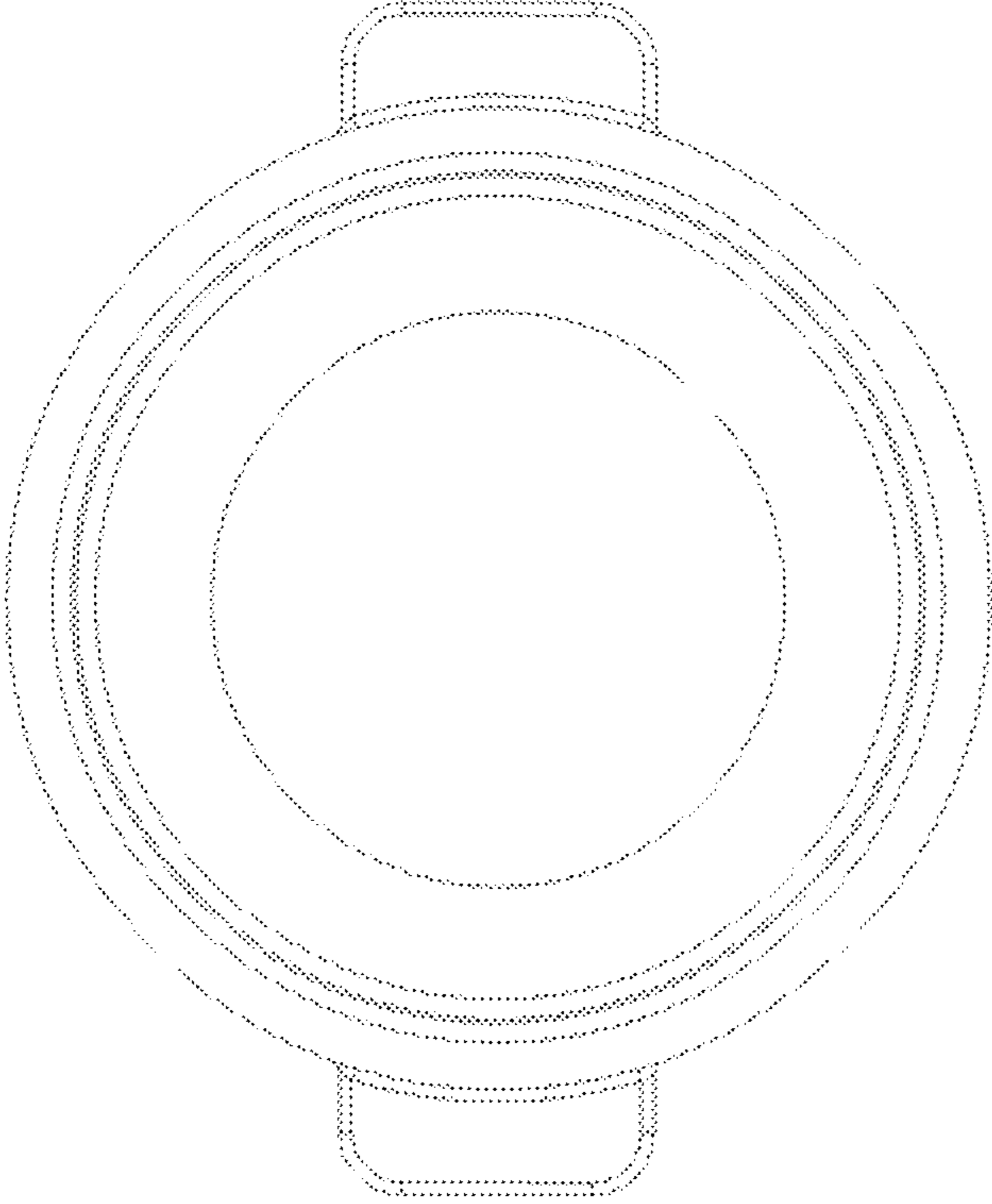


FIG. 4

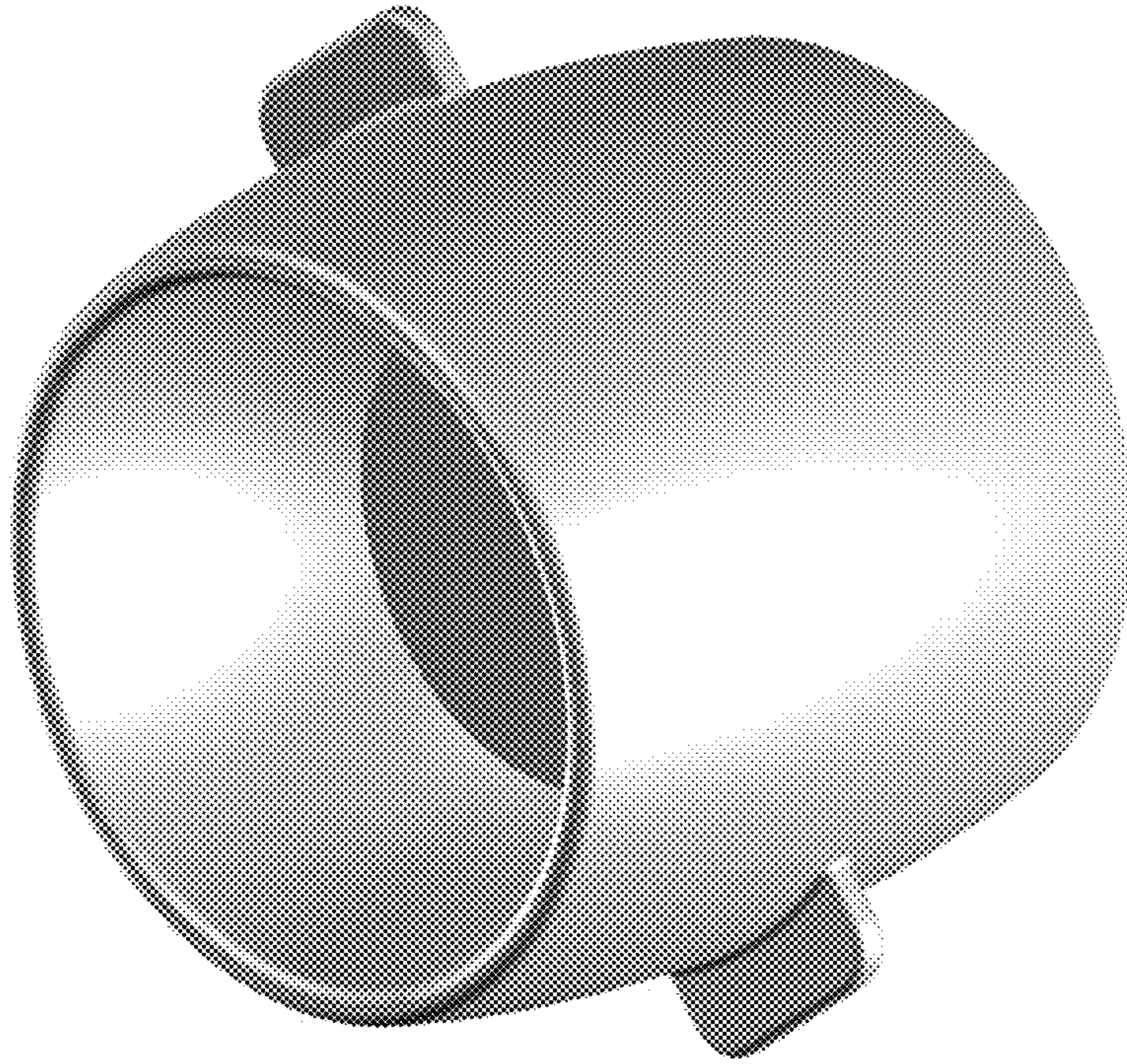


FIG. 5

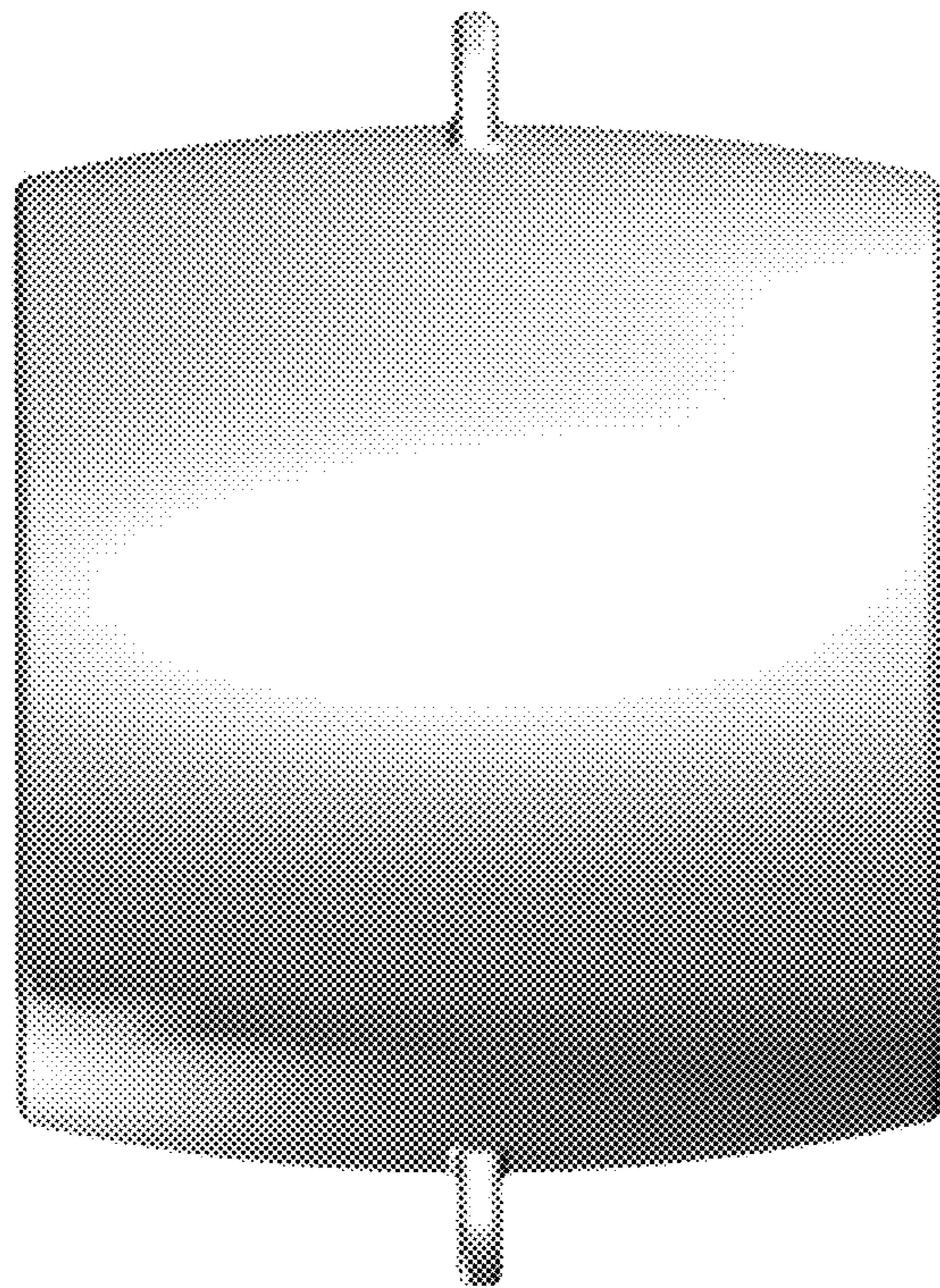


FIG. 6

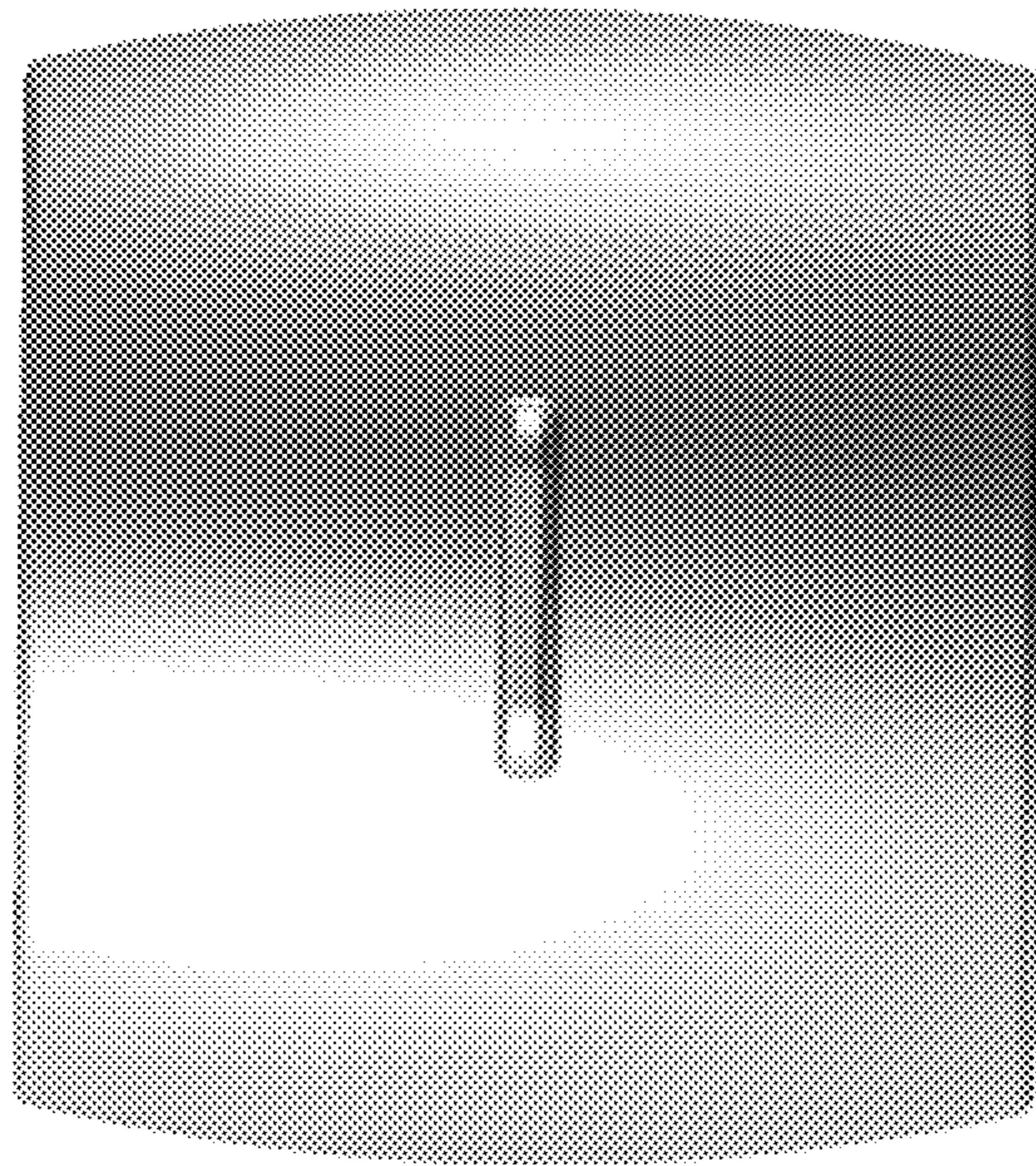


FIG. 7



FIG. 8