



US00D828639S

(12) **United States Design Patent**
Kim

(10) **Patent No.:** **US D828,639 S**

(45) **Date of Patent:** **** Sep. 11, 2018**

- (54) **FIRE EXTINGUISHER**
- (71) Applicant: **Byung Yul Kim**, Cheongju-si (KR)
- (72) Inventor: **Byung Yul Kim**, Cheongju-si (KR)
- (73) Assignee: **Byung Yul Kim**, Cheongju-si (KR)
- (**) Term: **15 Years**
- (21) Appl. No.: **29/612,700**
- (22) Filed: **Aug. 3, 2017**
- (51) **LOC (11) Cl.** **29-02**
- (52) **U.S. Cl.**
USPC **D29/125**
- (58) **Field of Classification Search**
USPC D23/355-369, 213, 214, 223, 224, 225,
D23/231; D28/5, 6; 261/DIG. 17,
261/DIG. 42, DIG. 65, DIG. 88, DIG. 89,
261/DIG. 47, DIG. 55, DIG. 70; 392/356,
392/390, 392, 394, 395; 239/34, 44, 53,
239/55, 56, 326, 60, 308, 589; D9/687,
D9/600, 695; D7/591; D29/125, 126,
D29/129, 130; 169/7, 89; 222/210, 324
CPC .. A62C 2/00; A62C 8/00; A62C 13/76; A62C
13/64
See application file for complete search history.

D647,188 S * 10/2011 Bergami D23/365
D759,902 S * 6/2016 Kim D29/125
2014/0260144 A1* 9/2014 Williams B01D 46/0005
55/502

* cited by examiner

Primary Examiner — Randall H Gholson
(74) *Attorney, Agent, or Firm* — Quarles & Brady LLP

(57) **CLAIM**

The ornamental design for a fire extinguisher, as shown.

DESCRIPTION

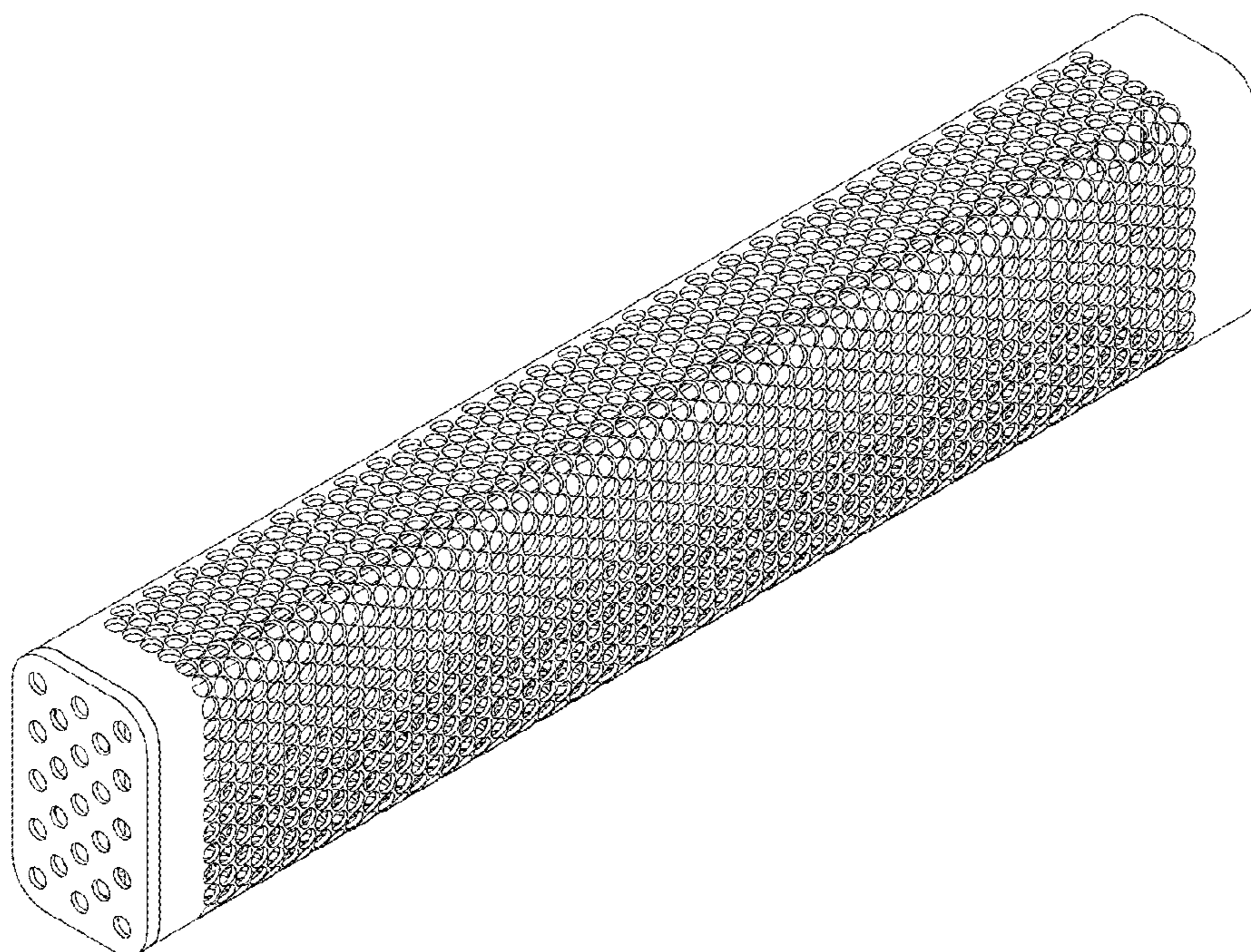
FIG. 1 is a perspective view of a front, top, and left side of an ornamental design for a fire extinguisher;
FIG. 2 is a front elevational view of the fire extinguisher of FIG. 1;
FIG. 3 is a rear elevational view of the fire extinguisher of FIG. 1;
FIG. 4 is a left side elevational view of the fire extinguisher of FIG. 1;
FIG. 5 is a right side elevational view of the fire extinguisher of FIG. 1;
FIG. 6 is a top plan view of the of the fire extinguisher of FIG. 1; and,
FIG. 7 is a bottom plan view of the fire extinguisher of FIG. 1.

(56) **References Cited**

U.S. PATENT DOCUMENTS

D410,074 S * 5/1999 Lee D23/332

1 Claim, 4 Drawing Sheets



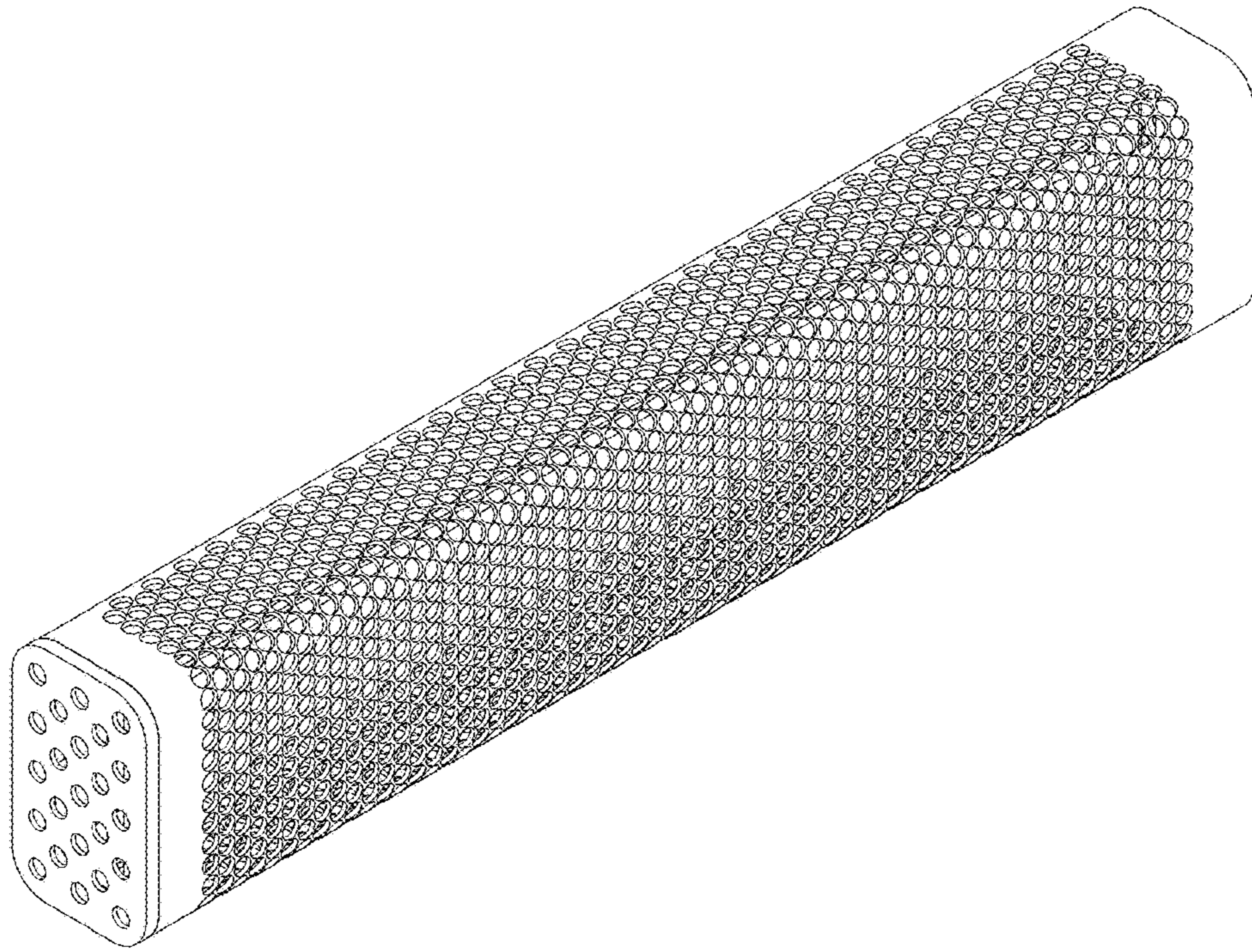


FIG. 1

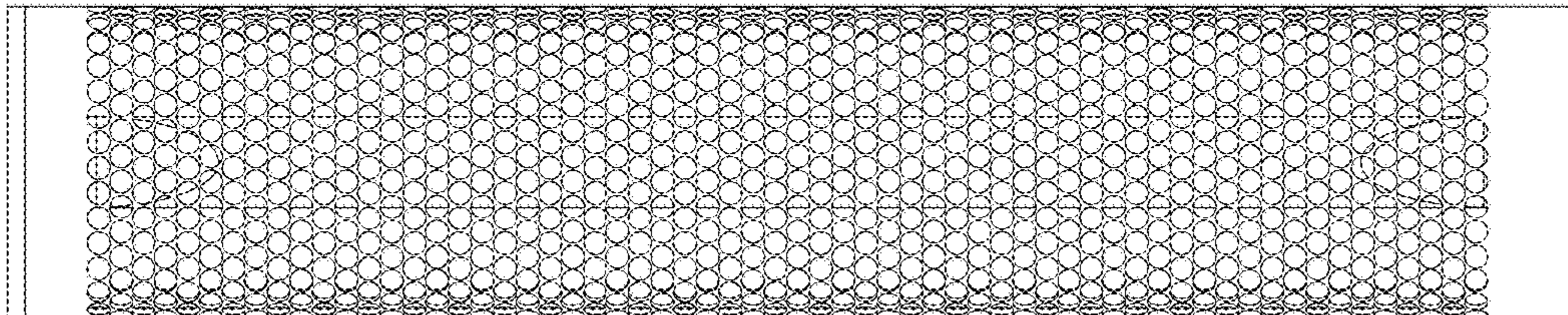


FIG. 2

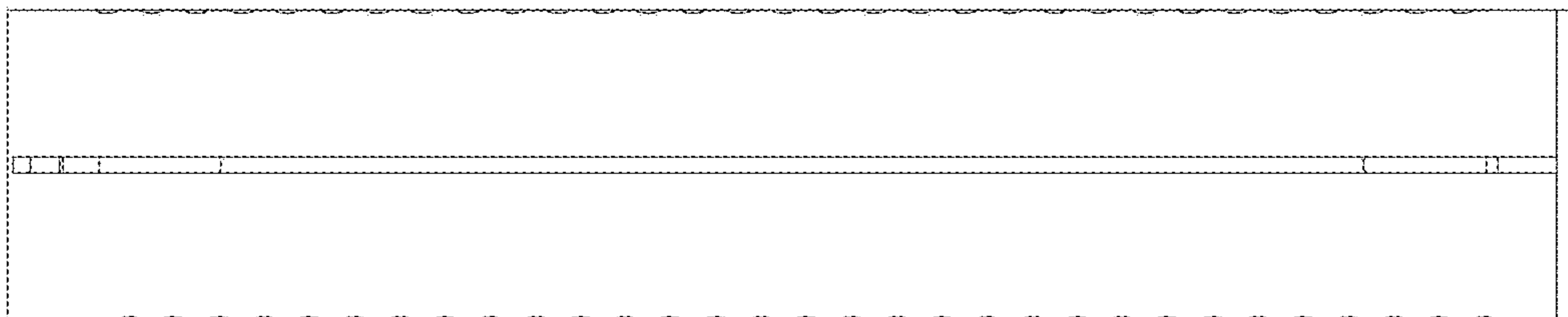


FIG. 3

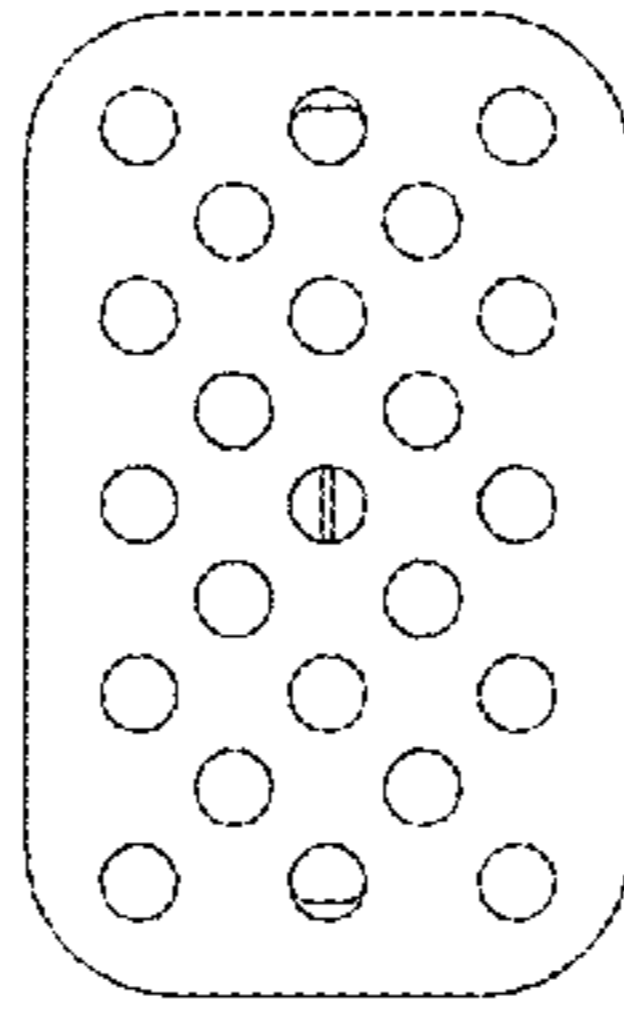


FIG. 4

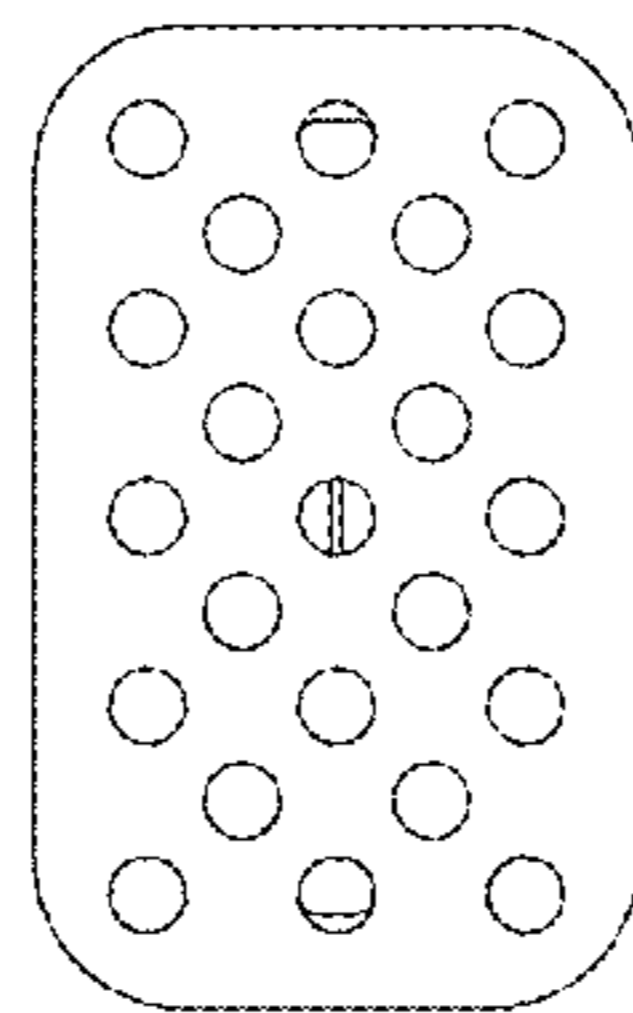


FIG. 5

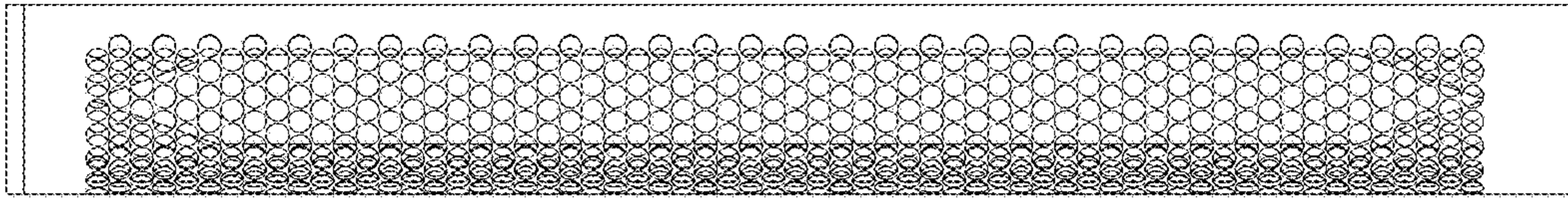


FIG. 6

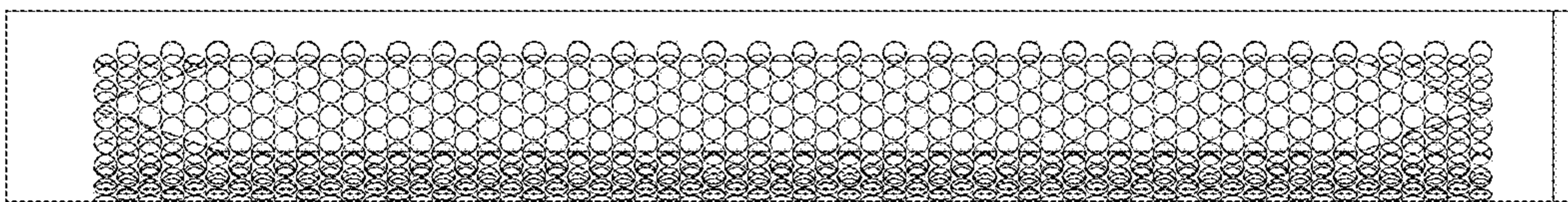


FIG. 7