



US00D828637S

(12) **United States Design Patent**
Fischer et al.

(10) **Patent No.:** **US D828,637 S**
(45) **Date of Patent:** **** Sep. 11, 2018**

(54) **HELMET PAD ASSEMBLY**

A42B 1/008; A61F 9/06; A63B 71/08;
A63B 7/085; A63B 71/10; A63B 71/12;
A63B 71/1291

(71) Applicant: **VICIS, Inc.**, Seattle, WA (US)

See application file for complete search history.

(72) Inventors: **Kurt Fischer**, Seattle, WA (US); **Kayla Fukuda**, Seattle, WA (US); **Adam Frank**, Seattle, WA (US); **Mike Czernski**, Seattle, WA (US); **Cord Santiago**, Seattle, WA (US)

(56) **References Cited**

U.S. PATENT DOCUMENTS

D701,999 S * 4/2014 Hanson D29/106
D736,474 S * 8/2015 Penn D29/106
D767,829 S * 9/2016 Wu D29/122

(73) Assignee: **VICIS, Inc.**, Seattle, WA (US)

* cited by examiner

(**) Term: **15 Years**

Primary Examiner — Randall H Gholson

(21) Appl. No.: **29/616,185**

(74) *Attorney, Agent, or Firm* — BrainSpark Associates, LLC

(22) Filed: **Sep. 3, 2017**

(51) **LOC (11) Cl.** **29-02**

(52) **U.S. Cl.**
USPC **D29/122**

(57) **CLAIM**

The ornamental design for a helmet pad assembly, as shown and described.

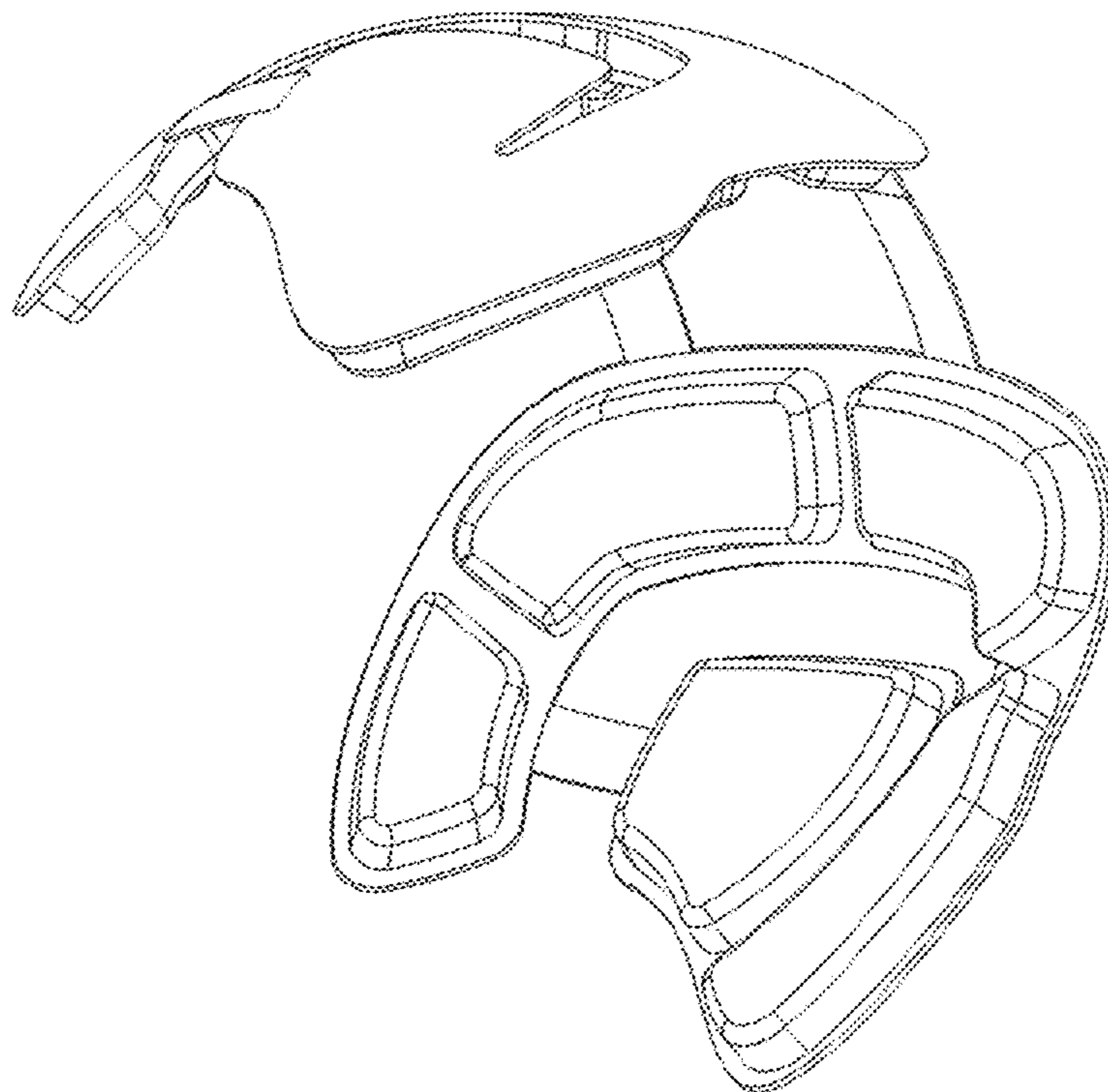
(58) **Field of Classification Search**

DESCRIPTION

USPC D29/100, 102, 106, 108, 110, 122;
D2/865, 880, 881; 2/455, 456, 410, 7,
2/8.2, 424, 425, 9, 468, 171, 205, 206;
128/201.23, 857
CPC A41D 13/05; A41D 13/11; A41D 13/1107;
A41D 13/1161; A41D 13/113; A41D
13/1138; A41D 13/1146; A42B 3/18;
A42B 3/20; A42B 3/205; A42B 3/32;
A42B 3/326; A42B 3/00; A42B 3/04;
A42B 3/0406; A42B 3/08; A42B 3/085;

FIG. 1 is a bottom perspective view of a helmet pad assembly;
FIG. 2 is a top perspective view thereof;
FIG. 3 is a bottom plan view thereof;
FIG. 4 is a top plan view thereof;
FIG. 5 is a front plan view thereof;
FIG. 6 is a rear plan view thereof;
FIG. 7 is a right-side view thereof; and,
FIG. 8 is a left-side plan view thereof.

1 Claim, 8 Drawing Sheets



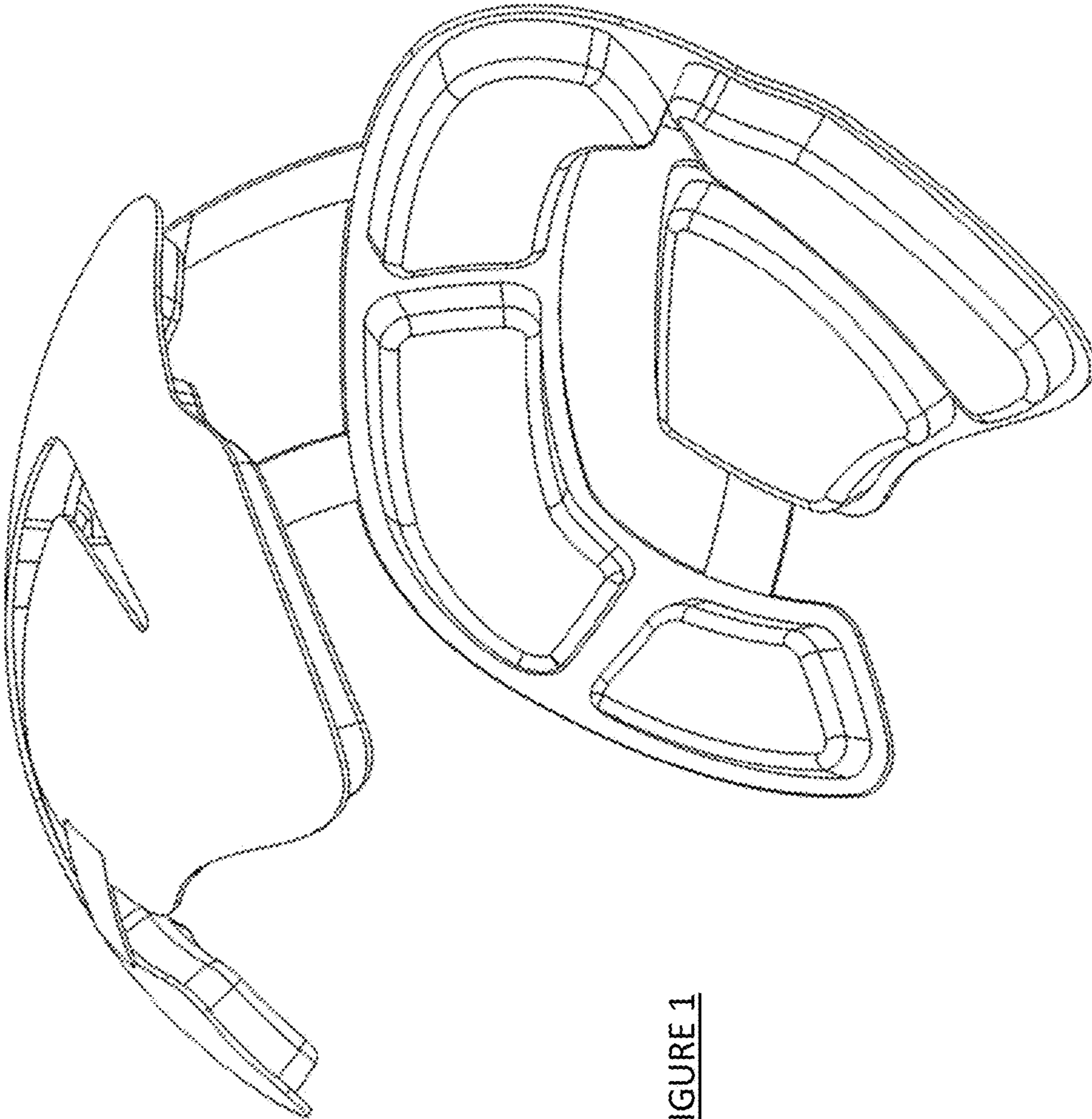


FIGURE 1

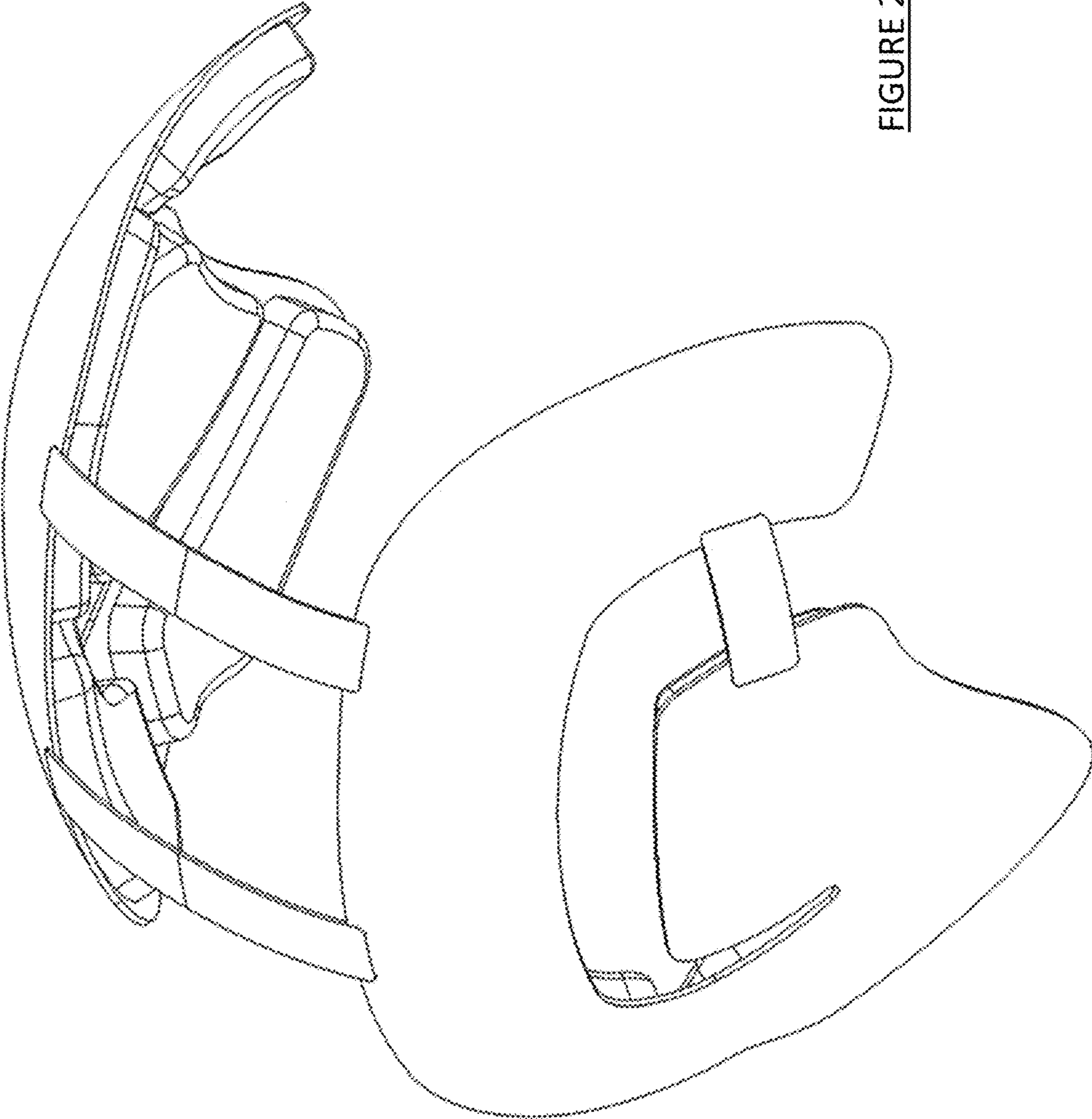


FIGURE 2

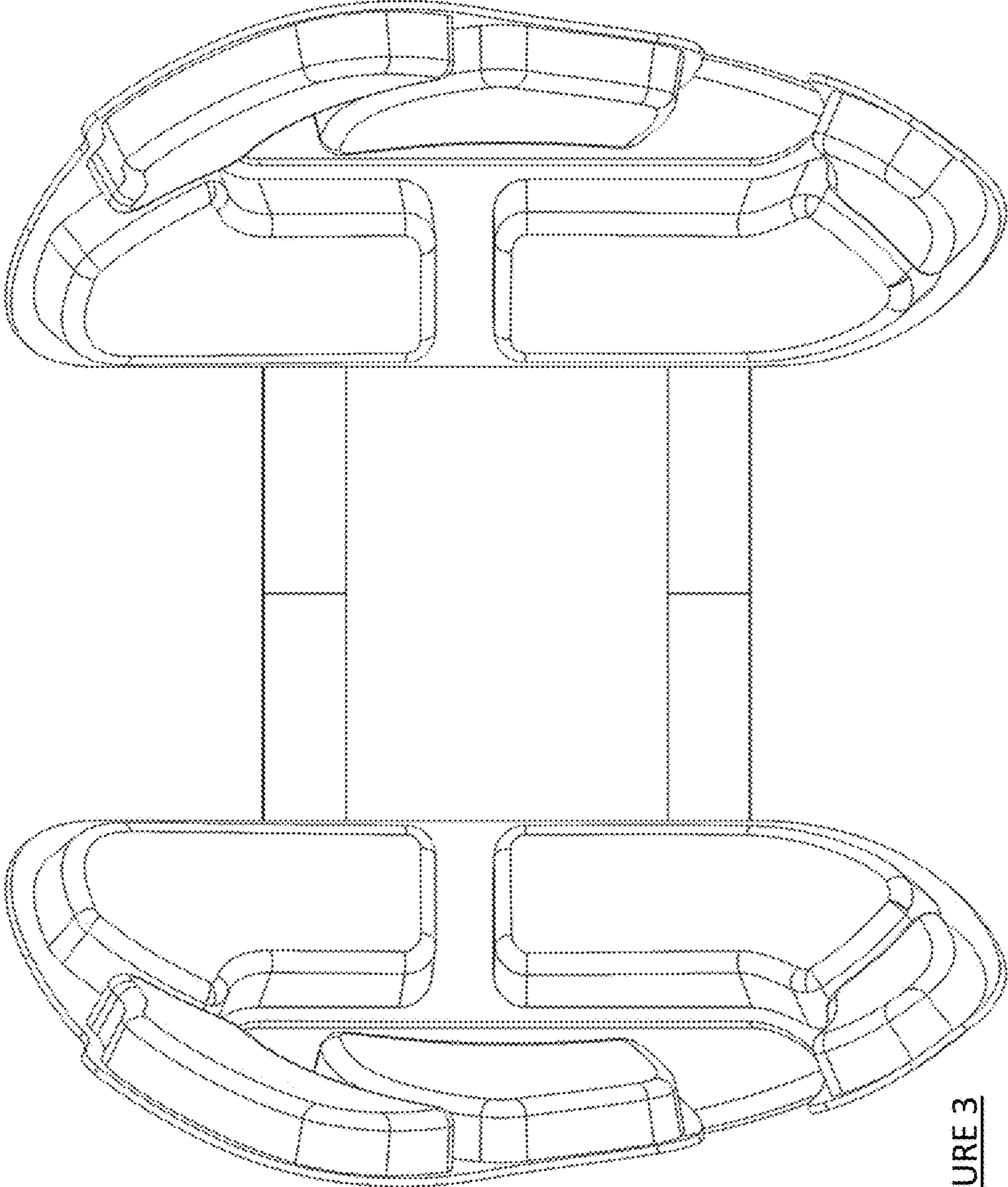


FIGURE 3

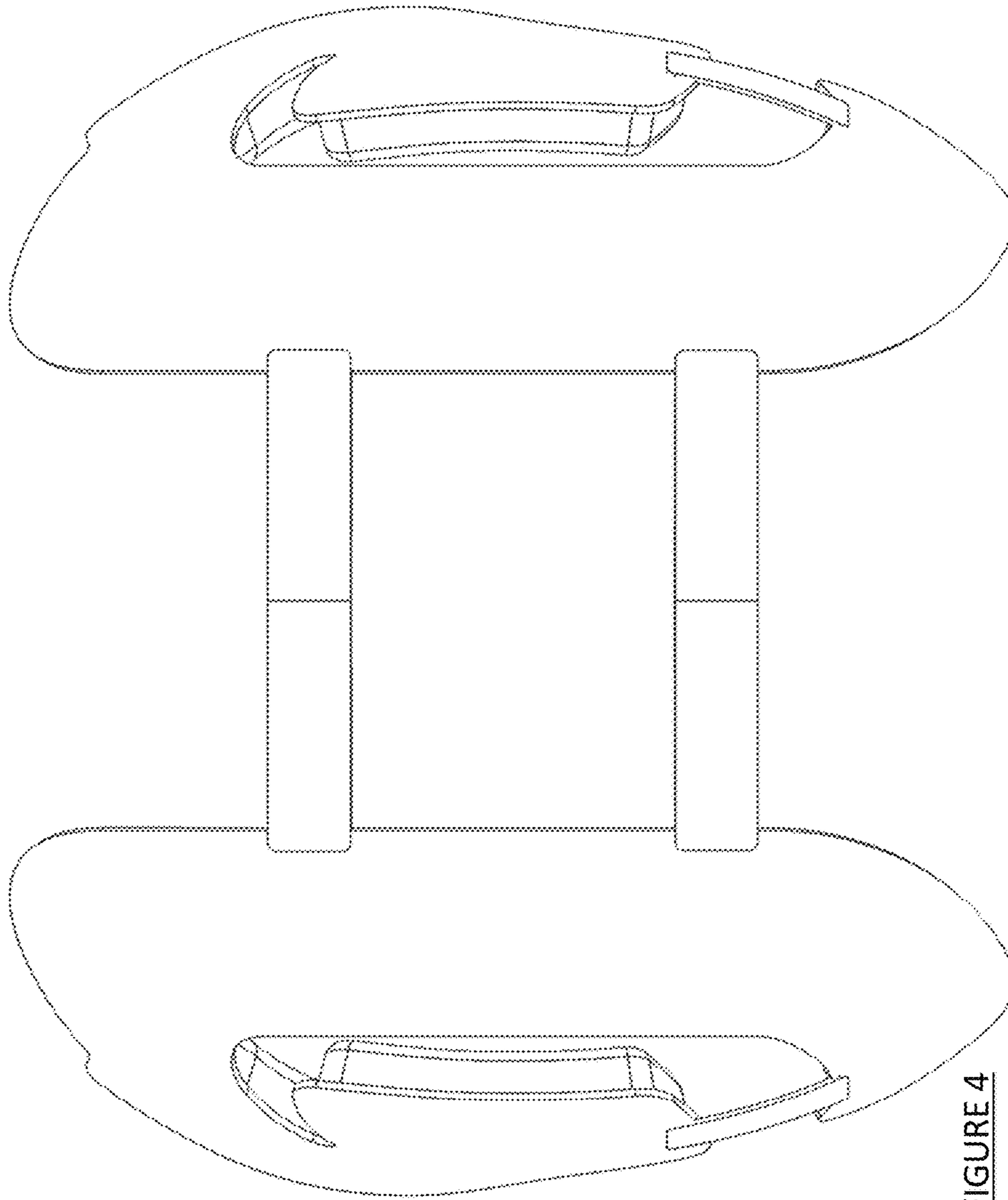


FIGURE 4

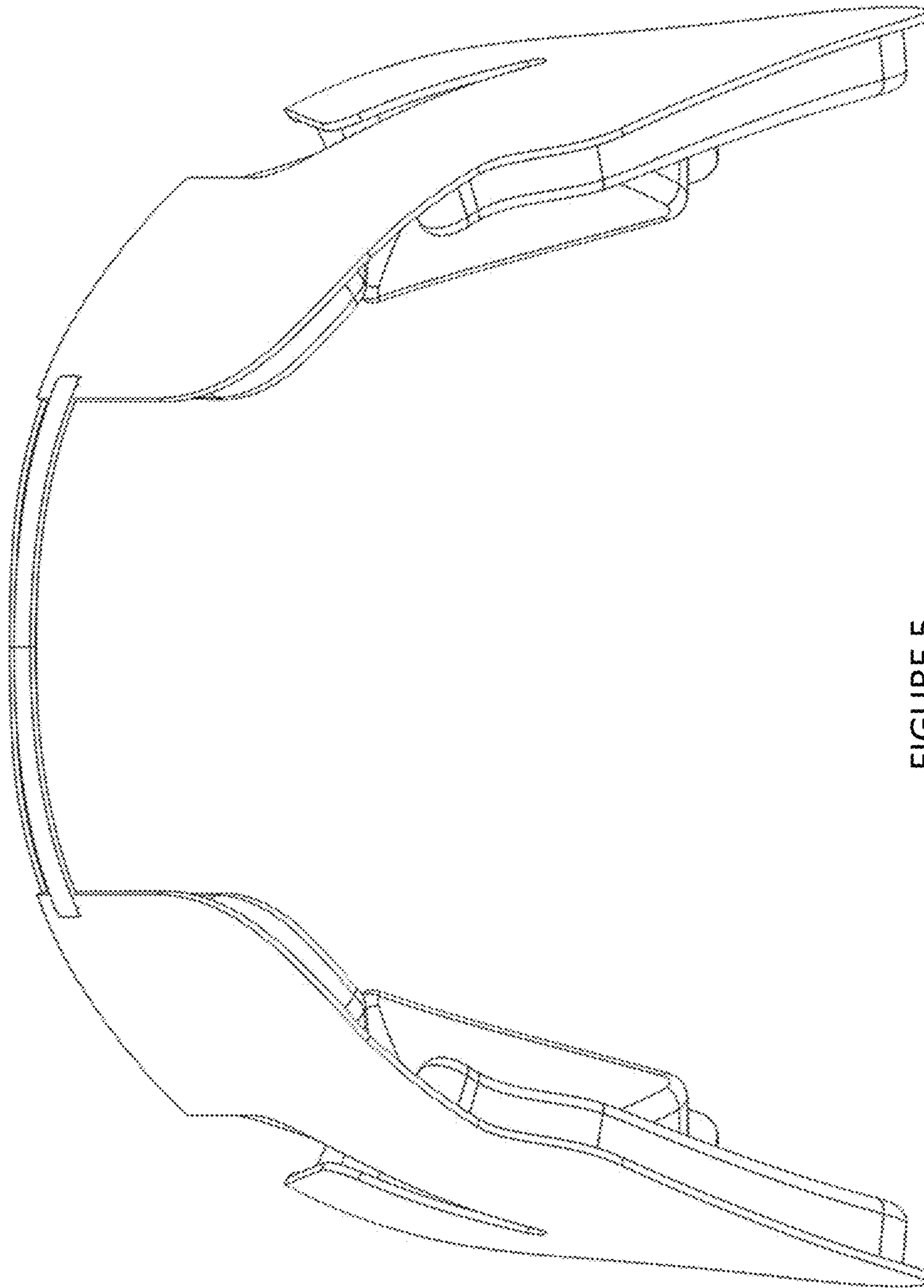


FIGURE 5

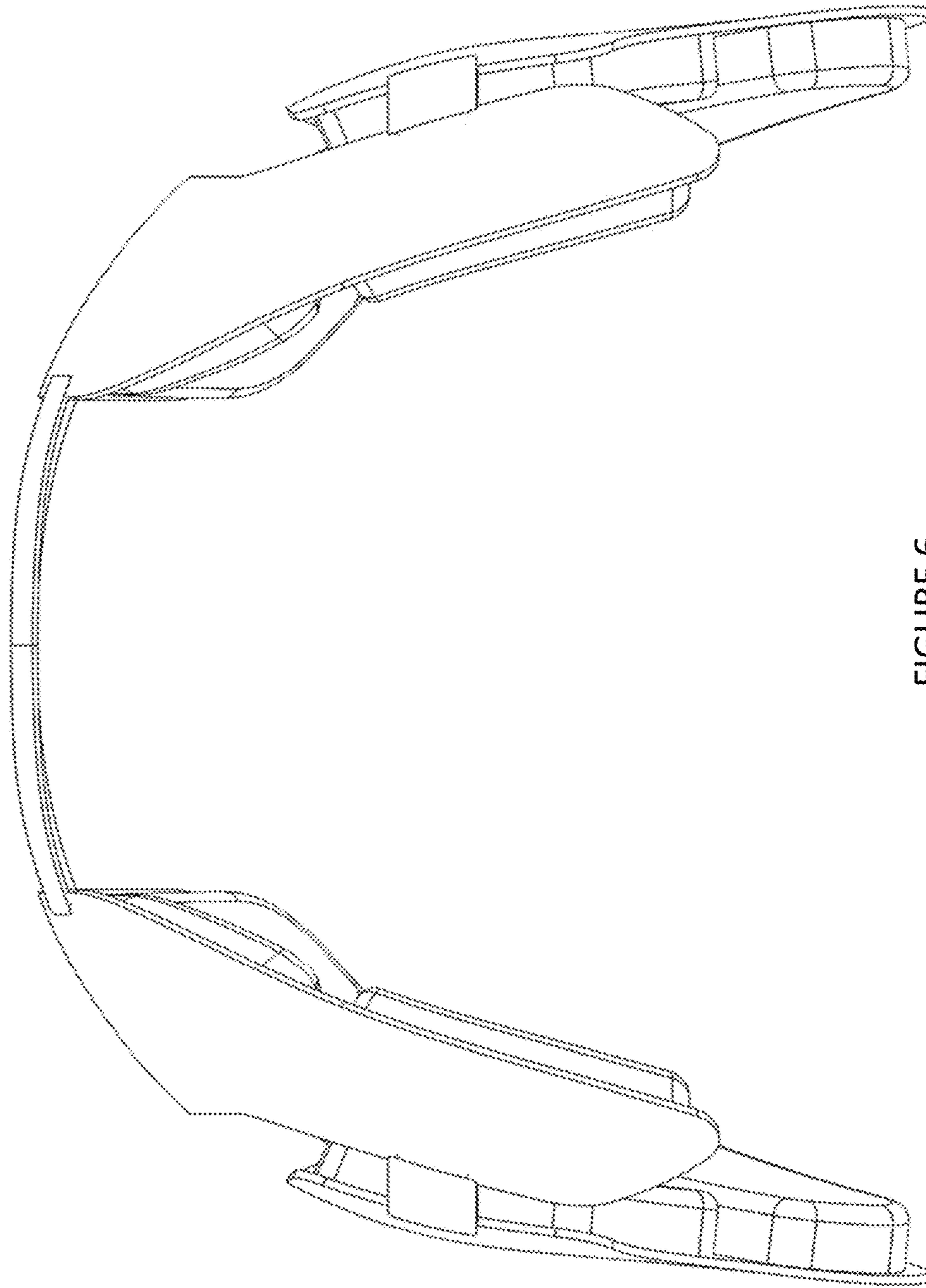


FIGURE 6

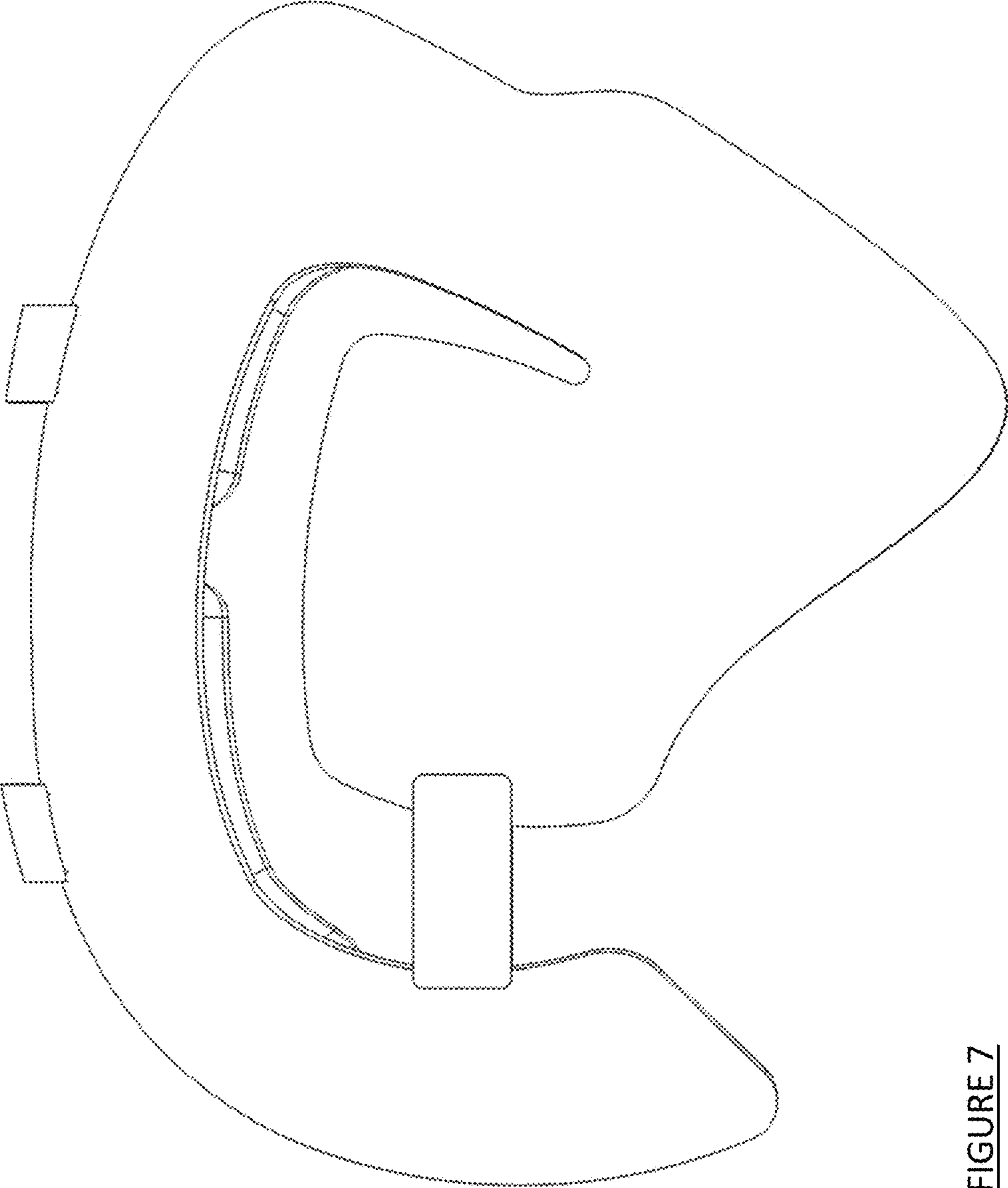


FIGURE 7

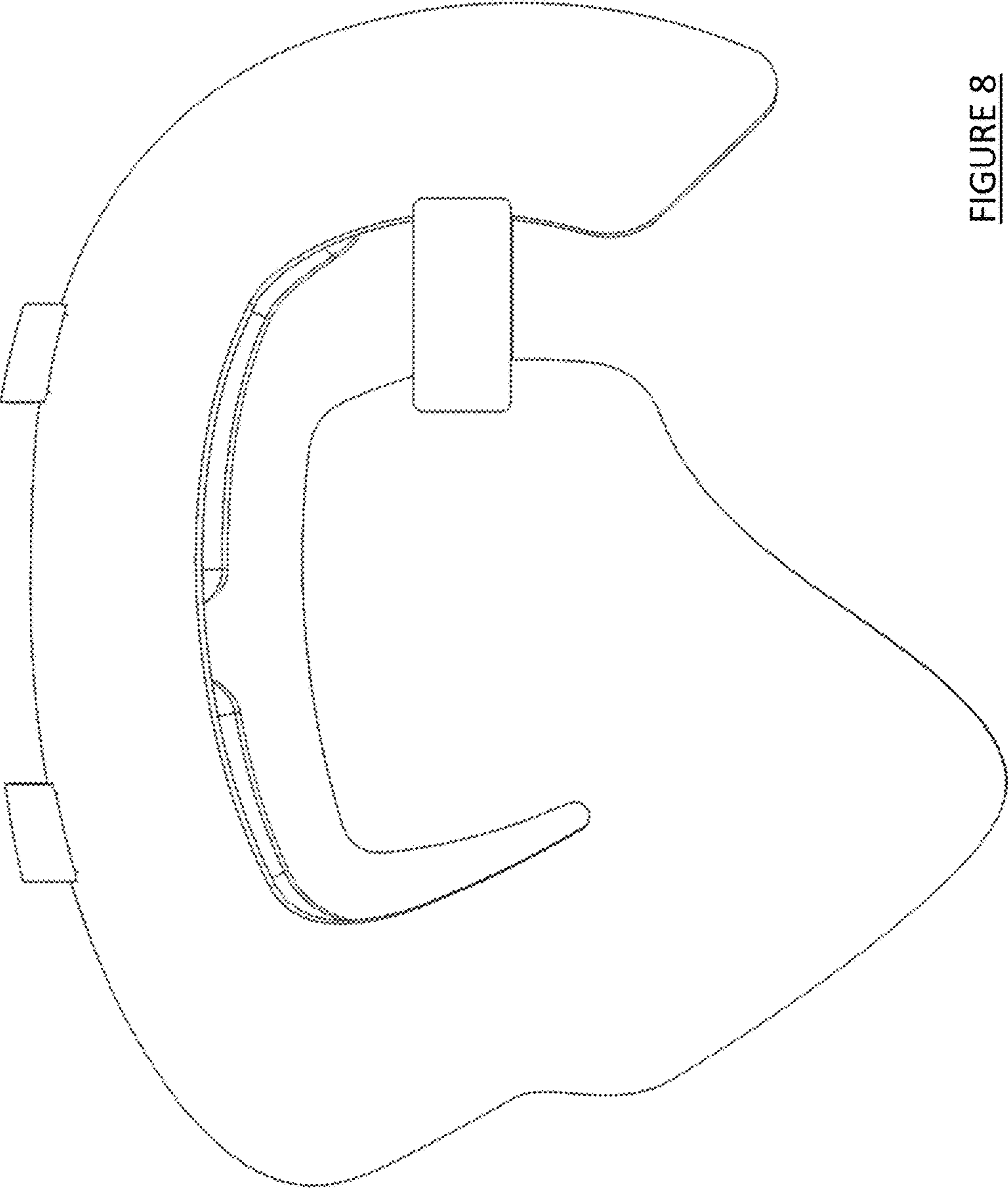


FIGURE 8