



US00D828629S

(12) **United States Design Patent**
Hussain

(10) **Patent No.:** **US D828,629 S**

(45) **Date of Patent:** **** Sep. 11, 2018**

(54) **DOUBLE SIDED TWEEZERS**

(71) Applicant: **Muhammad Arshad Hussain,**
Highland Park, NJ (US)

(72) Inventor: **Muhammad Arshad Hussain,**
Highland Park, NJ (US)

(**) Term: **15 Years**

(21) Appl. No.: **29/581,739**

(22) Filed: **Oct. 21, 2016**

(51) **LOC (11) Cl.** **28-03**

(52) **U.S. Cl.**
USPC **D28/55**

(58) **Field of Classification Search**
USPC D28/55; D24/143
CPC A45D 26/0066; A45D 26/0071; A45D
29/02; B25B 9/02
See application file for complete search history.

(56) **References Cited**

U.S. PATENT DOCUMENTS

D521,685 S * 5/2006 Cho D28/55
D532,553 S * 11/2006 Ross D24/143

D559,457 S * 1/2008 Garland D28/55
D575,904 S * 8/2008 Iqbal D24/143
D584,451 S * 1/2009 Cho D28/55
D738,611 S * 9/2015 Gupta D28/55
D753,881 S * 4/2016 Hussain D28/55
D784,615 S * 4/2017 Choi D28/36
9,751,194 B2 * 9/2017 Hussain B25B 9/02
2006/0129187 A1 * 6/2006 Cho A45D 26/0066
606/210
2016/0279766 A1 * 9/2016 Hussain B25B 9/02

* cited by examiner

Primary Examiner — Jennifer Rivard

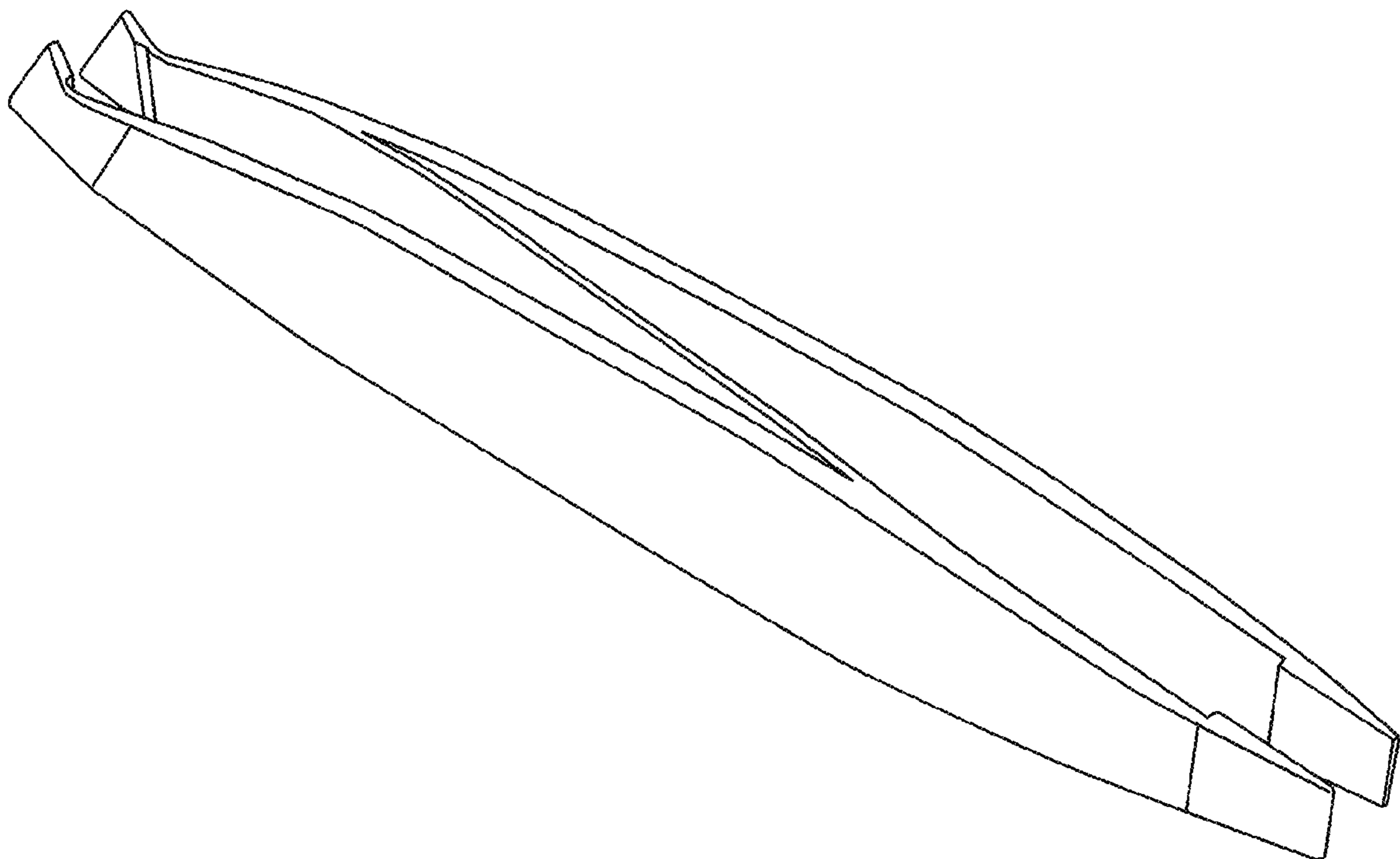
(57) **CLAIM**

The ornamental design for the double-sided tweezers, as shown and described.

DESCRIPTION

FIG. 1 is a perspective view of the double-sided tweezers showing my new design;
FIG. 2 is a top plan view thereof;
FIG. 3 is a bottom view thereof;
FIG. 4 is a front elevational view thereof;
FIG. 5 is a rear elevational view thereof;
FIG. 6 is an enlarged right side elevational view thereof;
and,
FIG. 7 is an enlarged left side elevational view thereof.

1 Claim, 7 Drawing Sheets



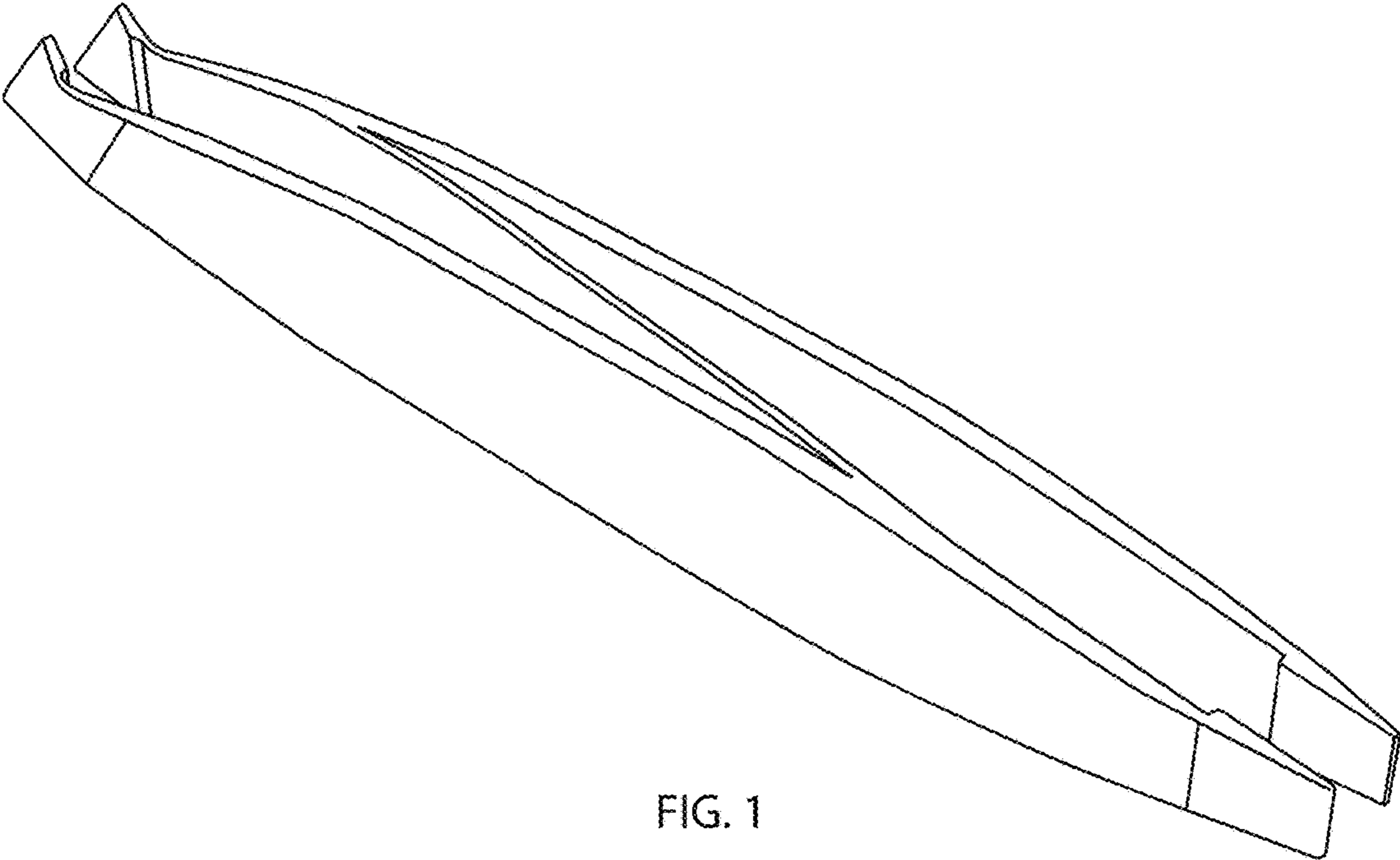


FIG. 1

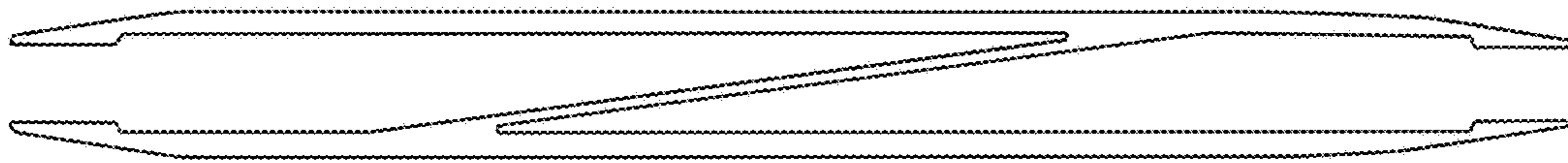


FIG. 2

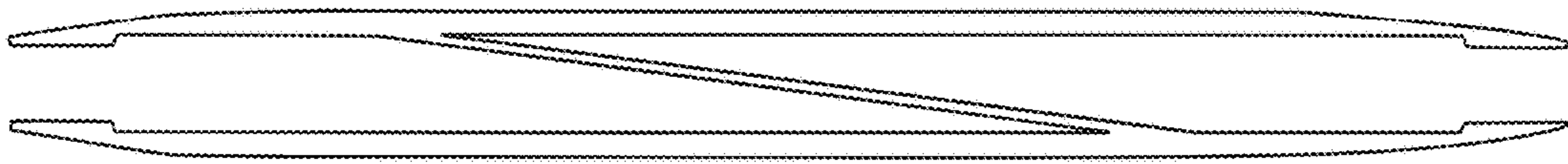


FIG. 3



FIG. 4



FIG. 5

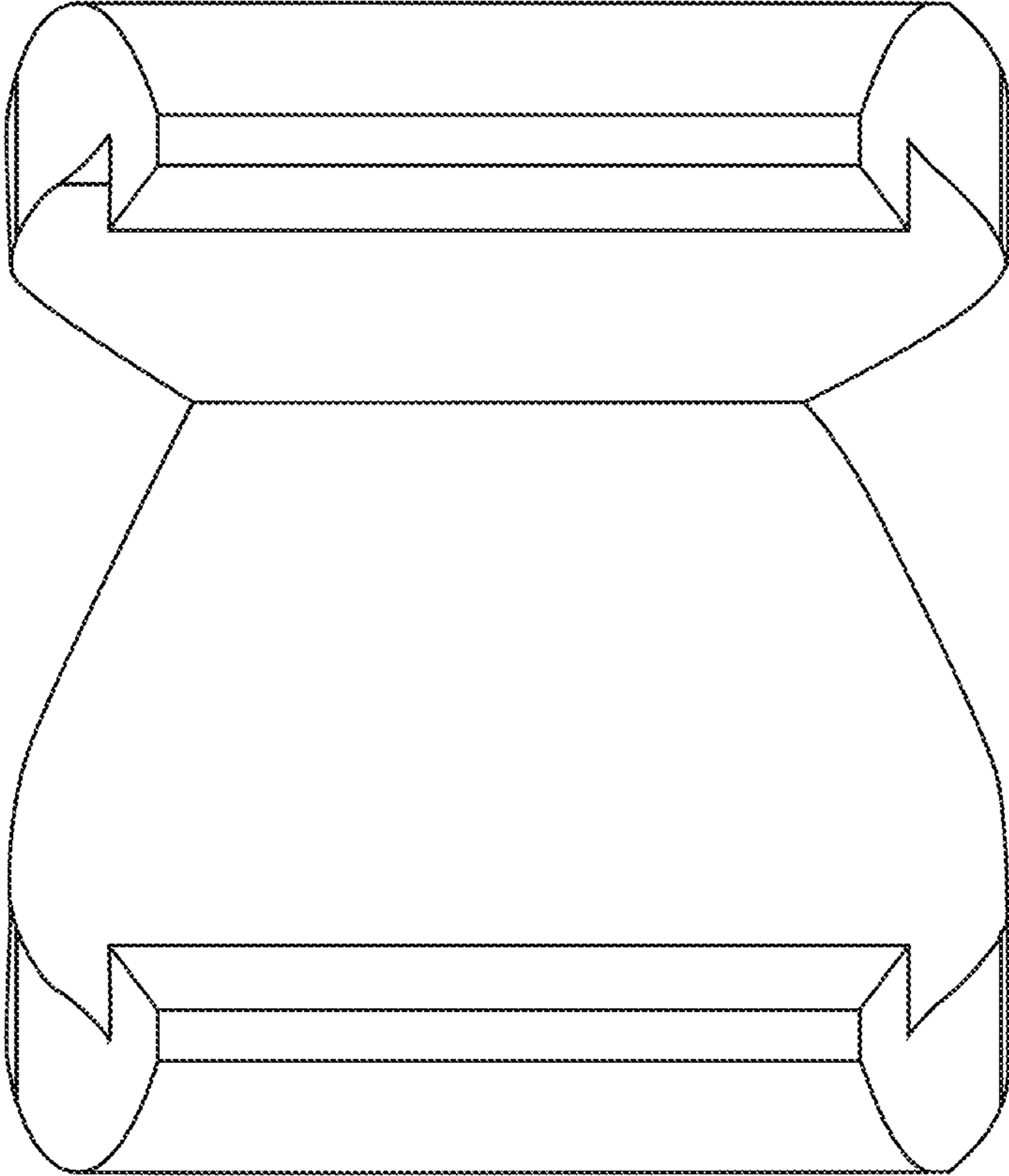


FIG. 6

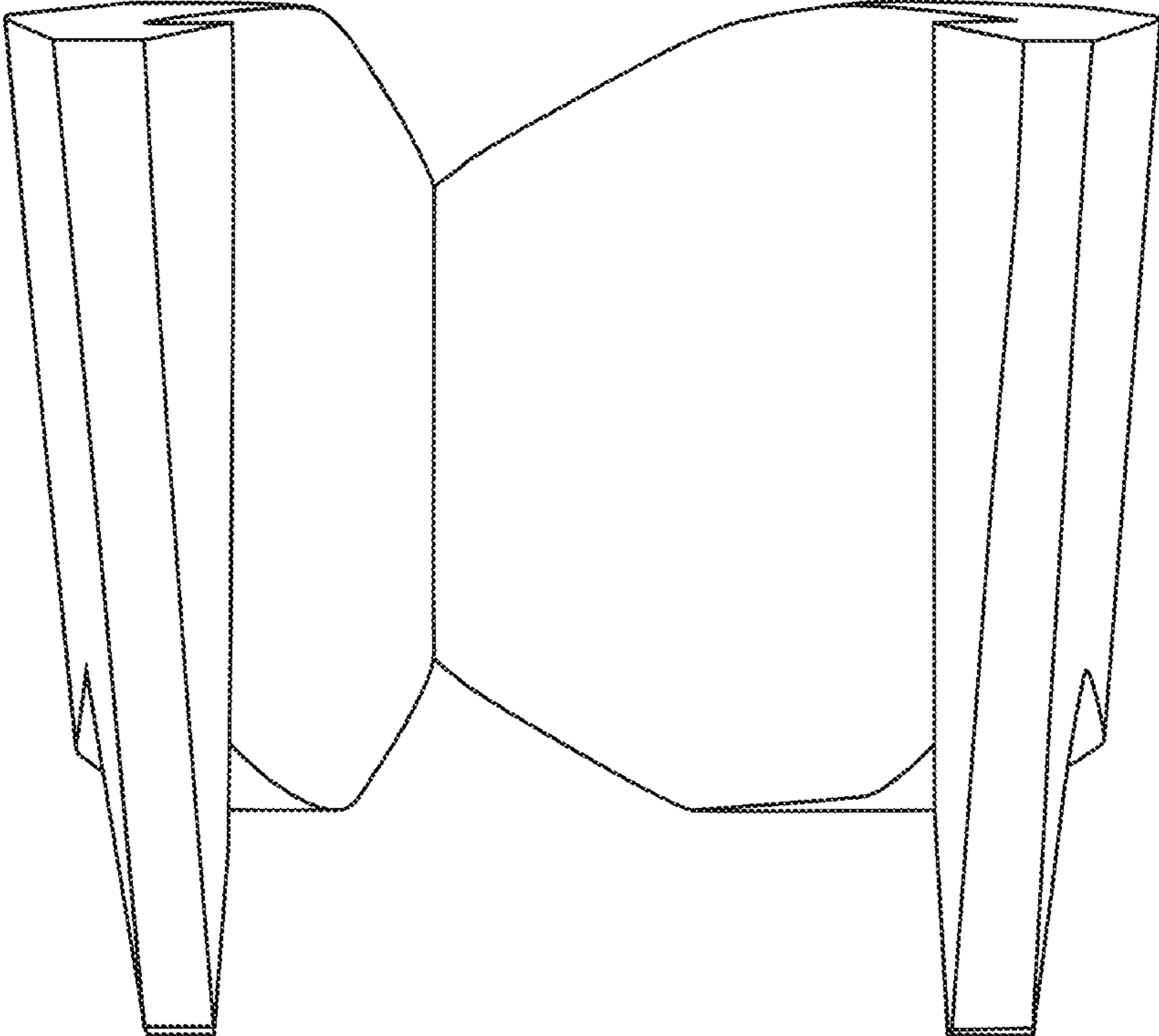


FIG. 7