



US00D828626S

(12) **United States Design Patent** (10) **Patent No.:** **US D828,626 S**  
**Hsu** (45) **Date of Patent:** **\*\* Sep. 11, 2018**

(54) **LINT SHAVER**  
(71) Applicant: **Ching-Feng Hsu**, Taipei (TW)  
(72) Inventor: **Ching-Feng Hsu**, Taipei (TW)  
(\*\*) Term: **15 Years**  
(21) Appl. No.: **29/578,927**  
(22) Filed: **Sep. 26, 2016**  
(51) **LOC (11) Cl.** ..... **28-03**  
(52) **U.S. Cl.**  
USPC ..... **D28/50**  
(58) **Field of Classification Search**  
USPC ..... D32/17-19; D28/44-54; D4/120  
CPC ..... B26B 19/00; B26B 19/14; B26B 19/34;  
B26B 19/44  
See application file for complete search history.

D314,642 S \* 2/1991 Ying ..... D28/50  
D459,028 S \* 6/2002 Hsu ..... D28/50  
D472,024 S \* 3/2003 Caldwell ..... B26B 19/14  
D32/32  
D495,831 S \* 9/2004 Hsu ..... D28/50  
D513,814 S \* 1/2006 Chen ..... D28/50  
D620,643 S \* 7/2010 Teteak ..... D28/50  
D671,267 S \* 11/2012 Hsu ..... D28/50  
D678,611 S \* 3/2013 Hsu ..... D28/50  
D771,392 S \* 11/2016 Harrington ..... D4/138  
2011/0308035 A1 \* 12/2011 Casper ..... A01K 13/001  
15/344

\* cited by examiner

*Primary Examiner* — Michelle E. Wilson  
(74) *Attorney, Agent, or Firm* — WPAT, PC

(57) **CLAIM**

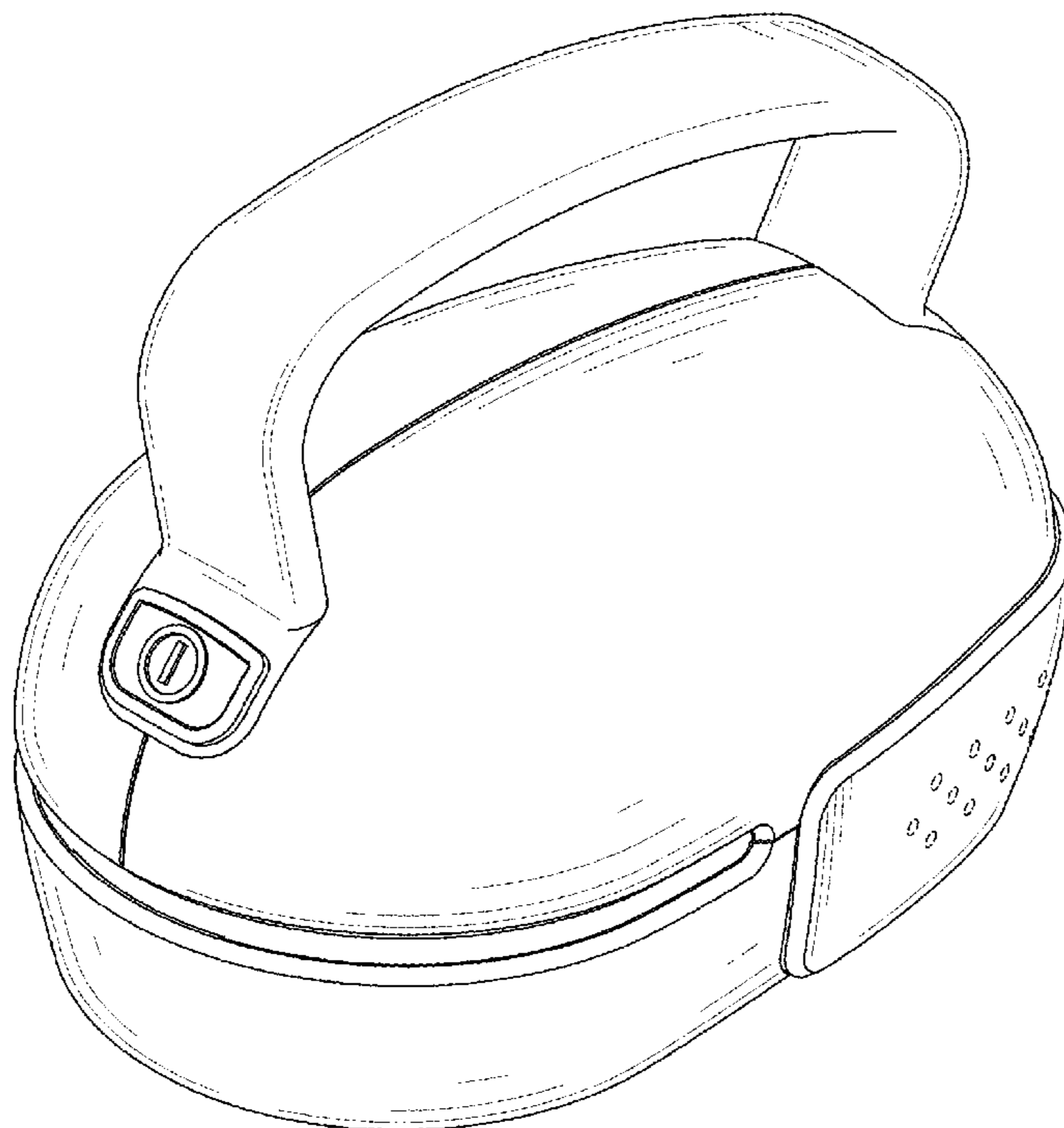
The ornamental design for a lint shaver, as shown and described.

**DESCRIPTION**

FIG. 1 is a perspective view of a lint shaver showing my new design;  
FIG. 2 is a front view thereof;  
FIG. 3 is a rear view thereof;  
FIG. 4 is a left side view thereof;  
FIG. 5 is a right side view thereof;  
FIG. 6 is a top view thereof;  
FIG. 7 is a bottom view thereof; and,  
FIG. 8 is another perspective view thereof.  
The broken lines depict environmental subject matter and form no part of the claimed design.

(56) **References Cited**  
U.S. PATENT DOCUMENTS  
D298,361 S \* 11/1988 Thaler ..... D28/50  
4,788,769 A \* 12/1988 Maruyama ..... A47L 25/08  
15/344  
4,839,964 A \* 6/1989 Uchiyama ..... B26B 19/141  
30/43.5  
4,899,442 A \* 2/1990 Horii ..... A47L 25/08  
30/133  
D306,499 S \* 3/1990 Lee ..... D28/50  
D307,957 S \* 5/1990 Mockovak ..... D28/50  
D310,890 S \* 9/1990 Ho ..... D28/50  
4,985,999 A \* 1/1991 Iwasaki ..... A46B 13/02  
30/133

**1 Claim, 8 Drawing Sheets**



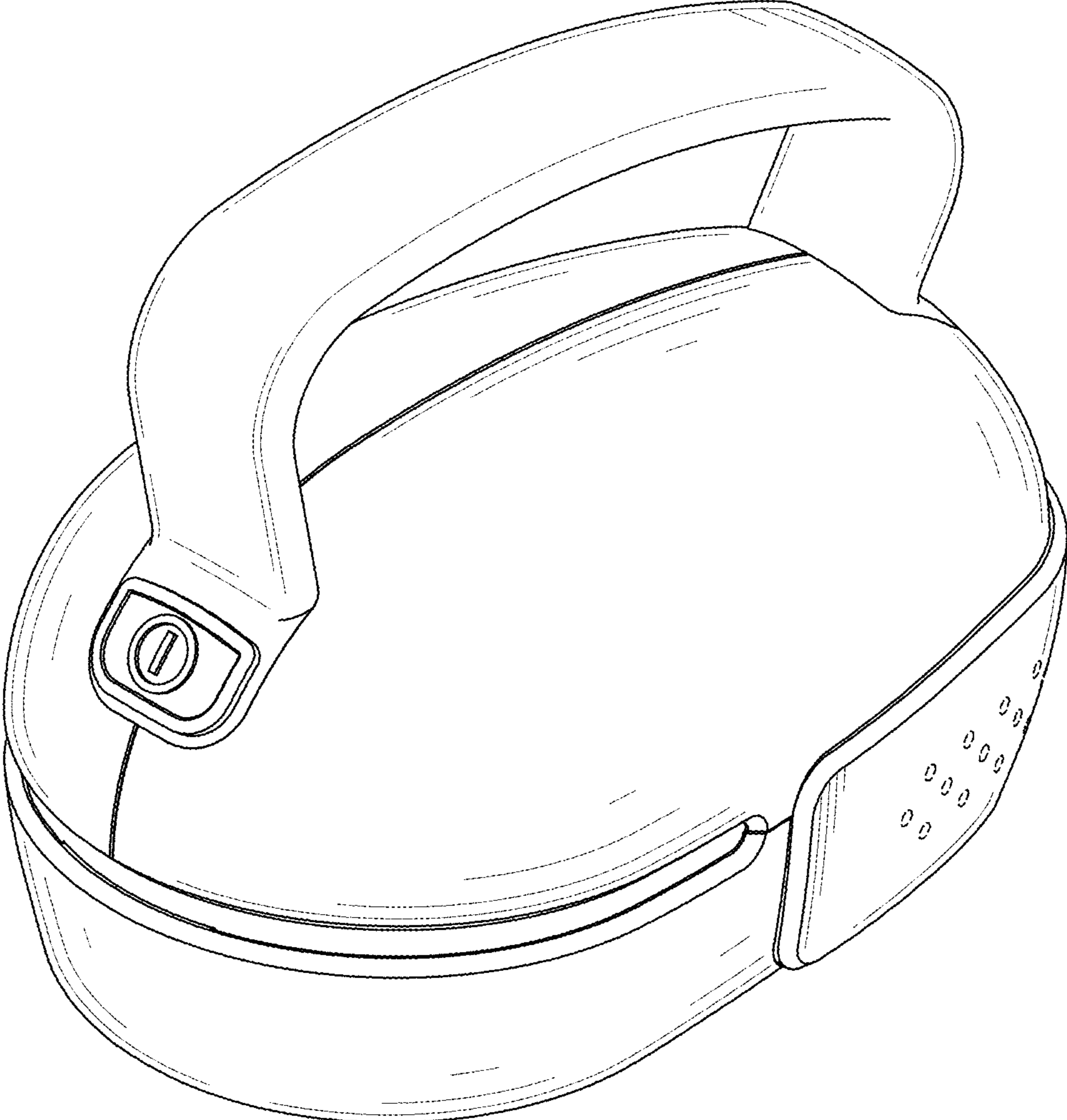


FIG.1

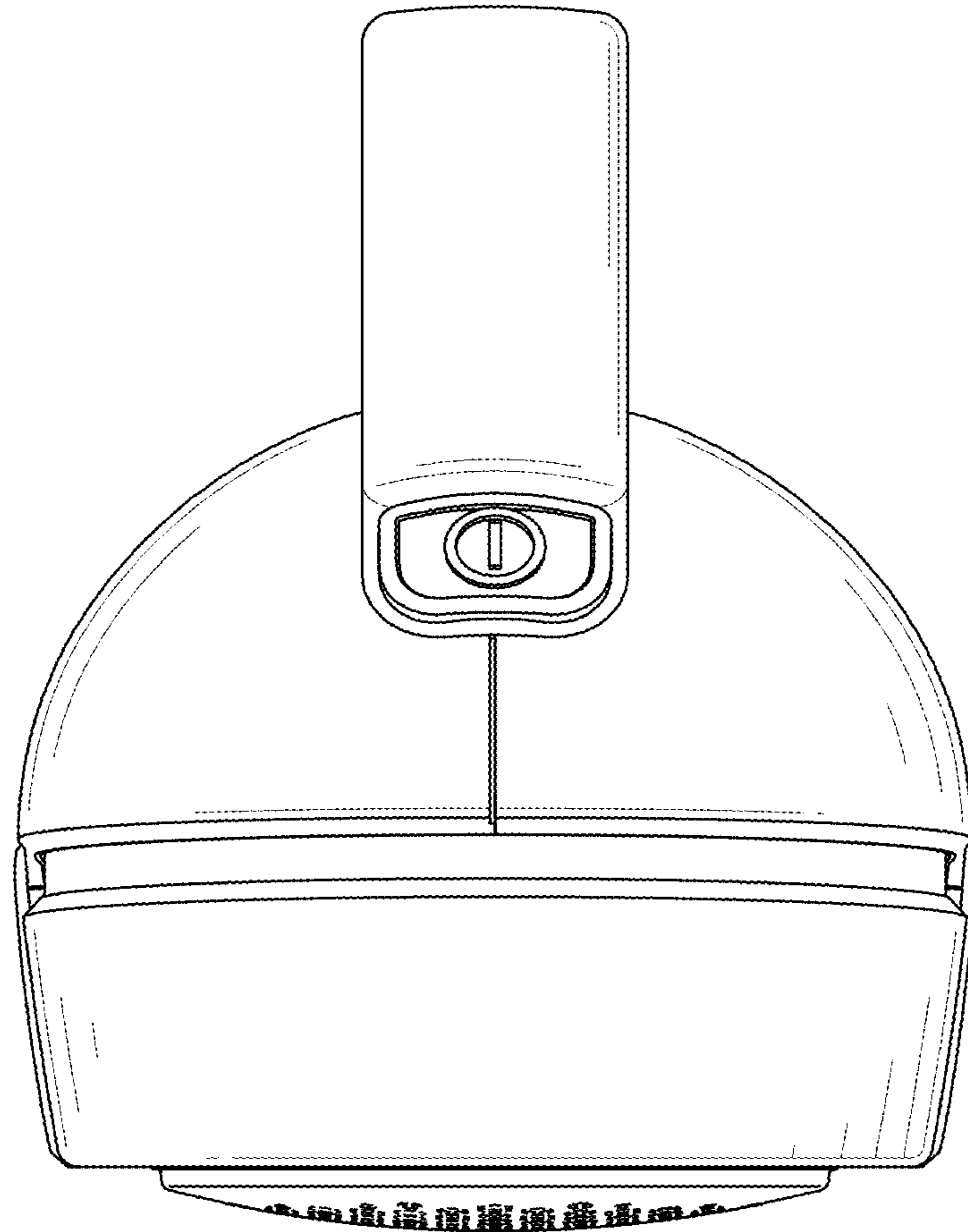


FIG.2

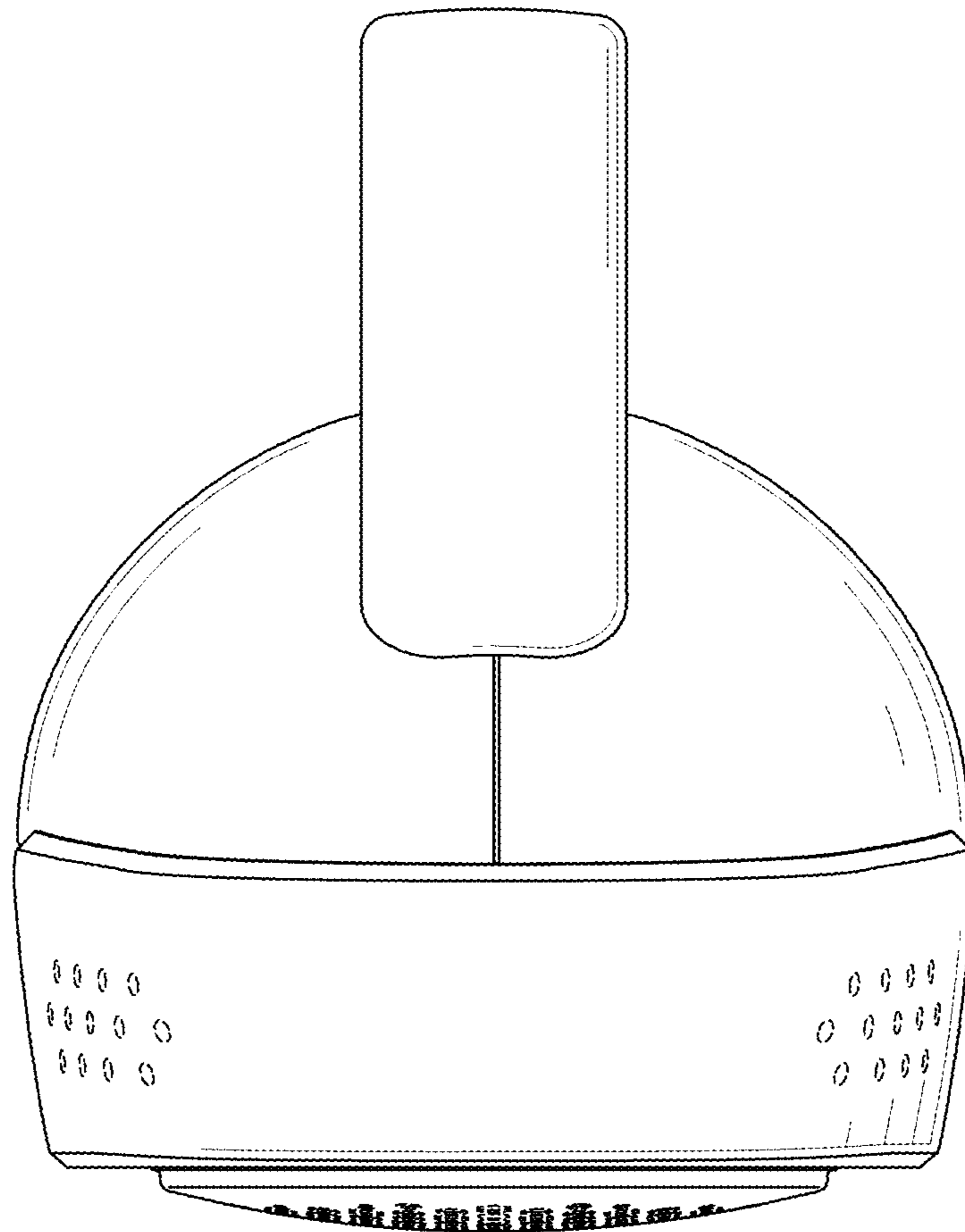


FIG.3

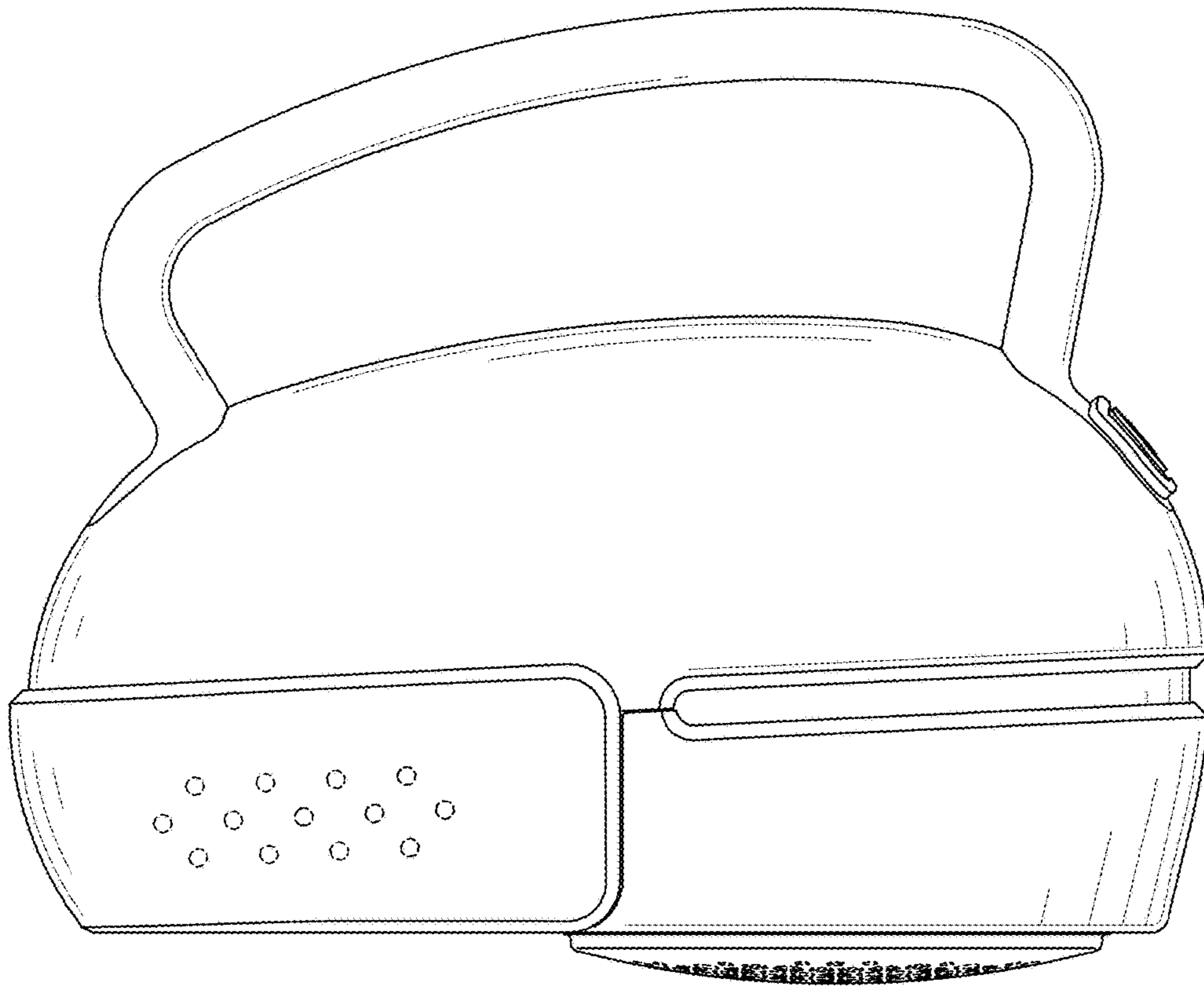


FIG.4

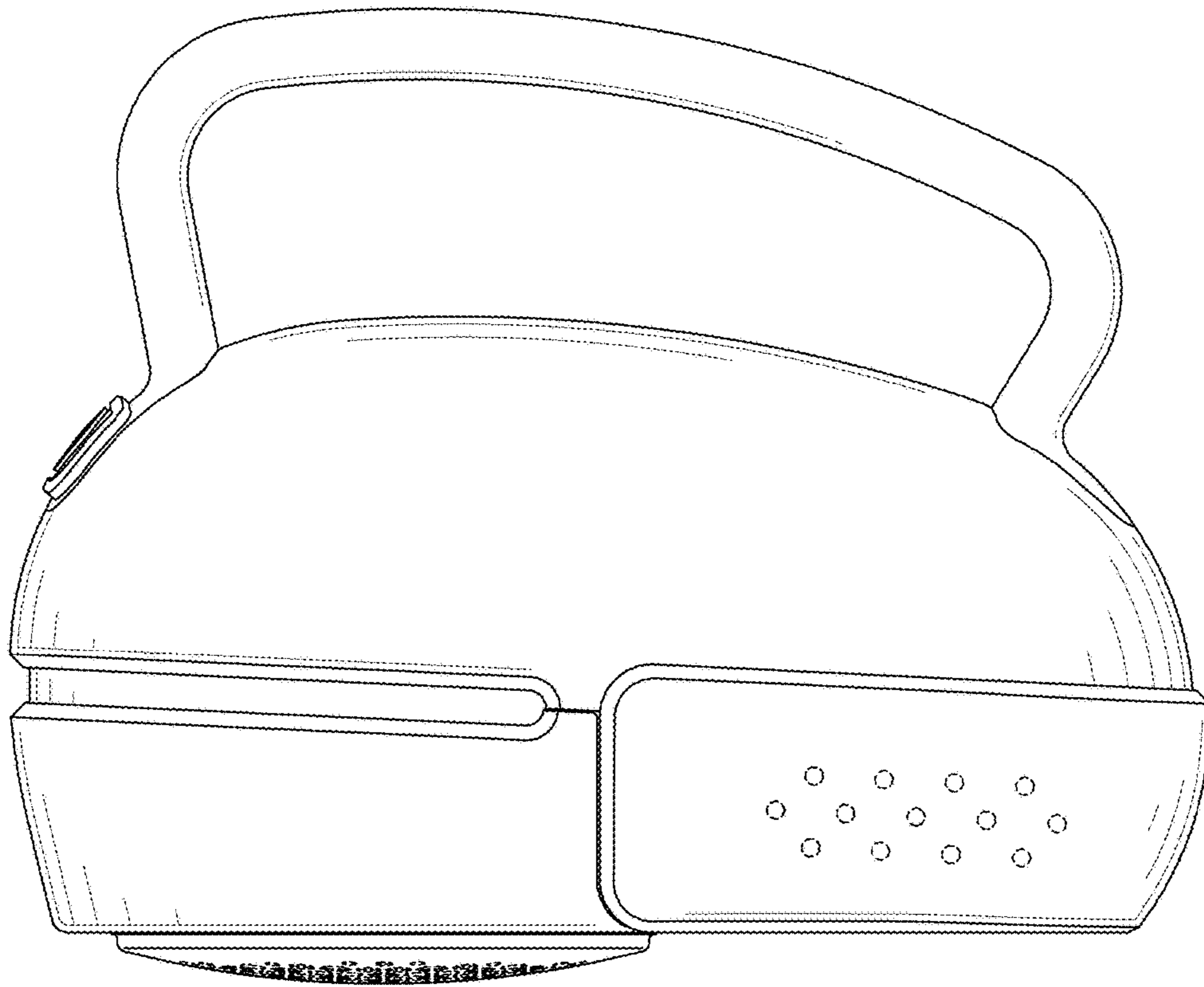


FIG.5

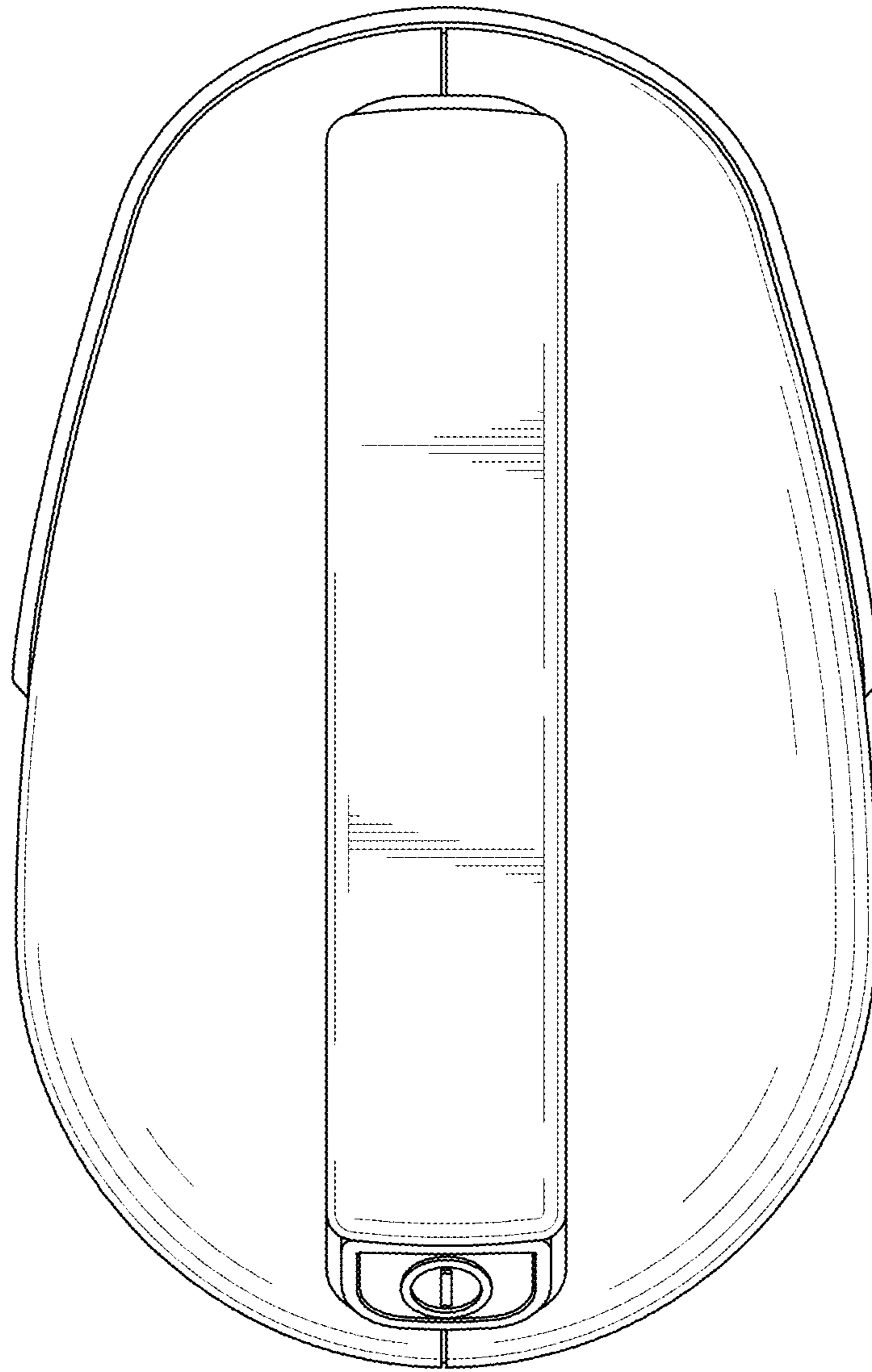


FIG.6

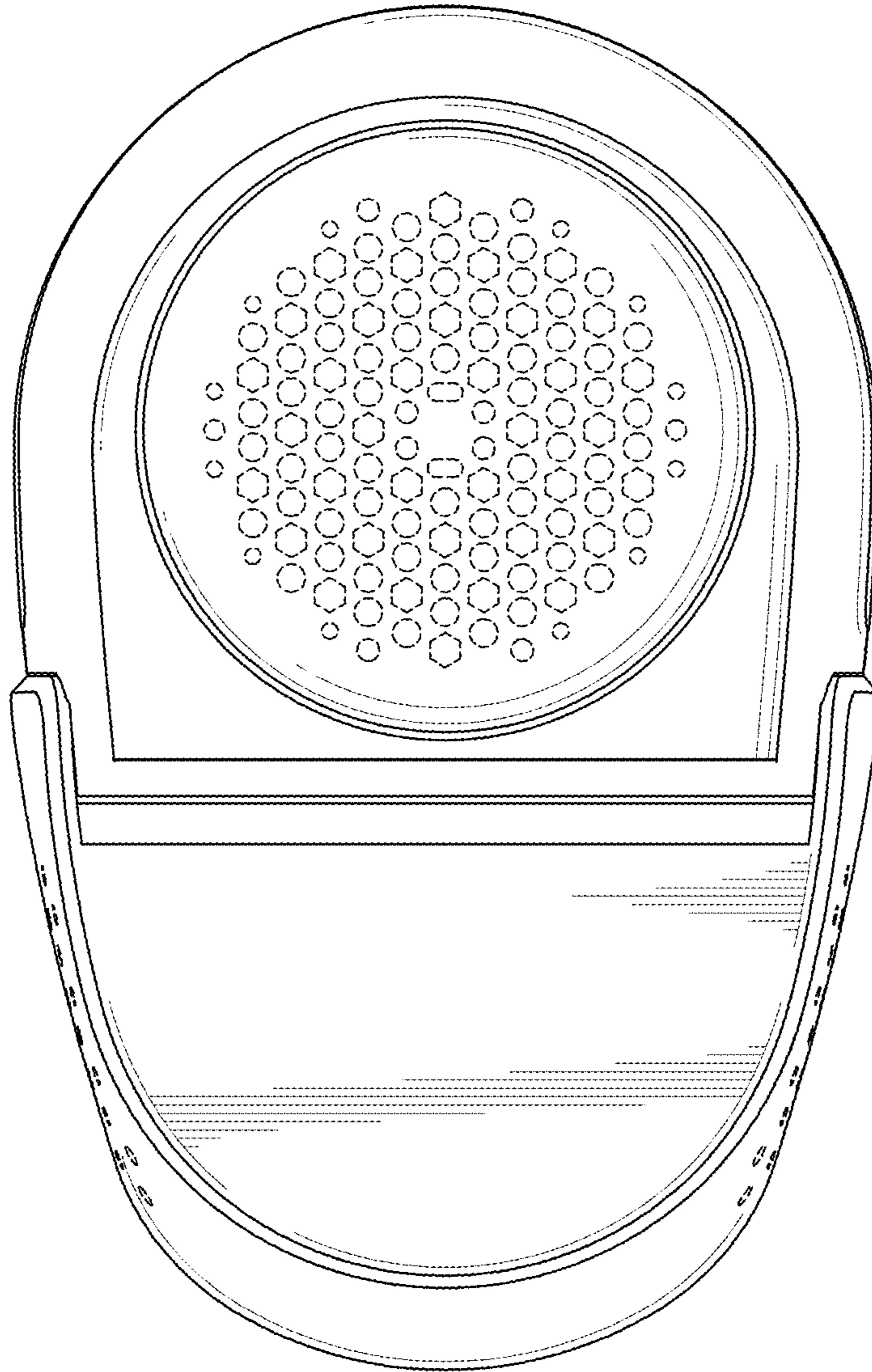


FIG.7



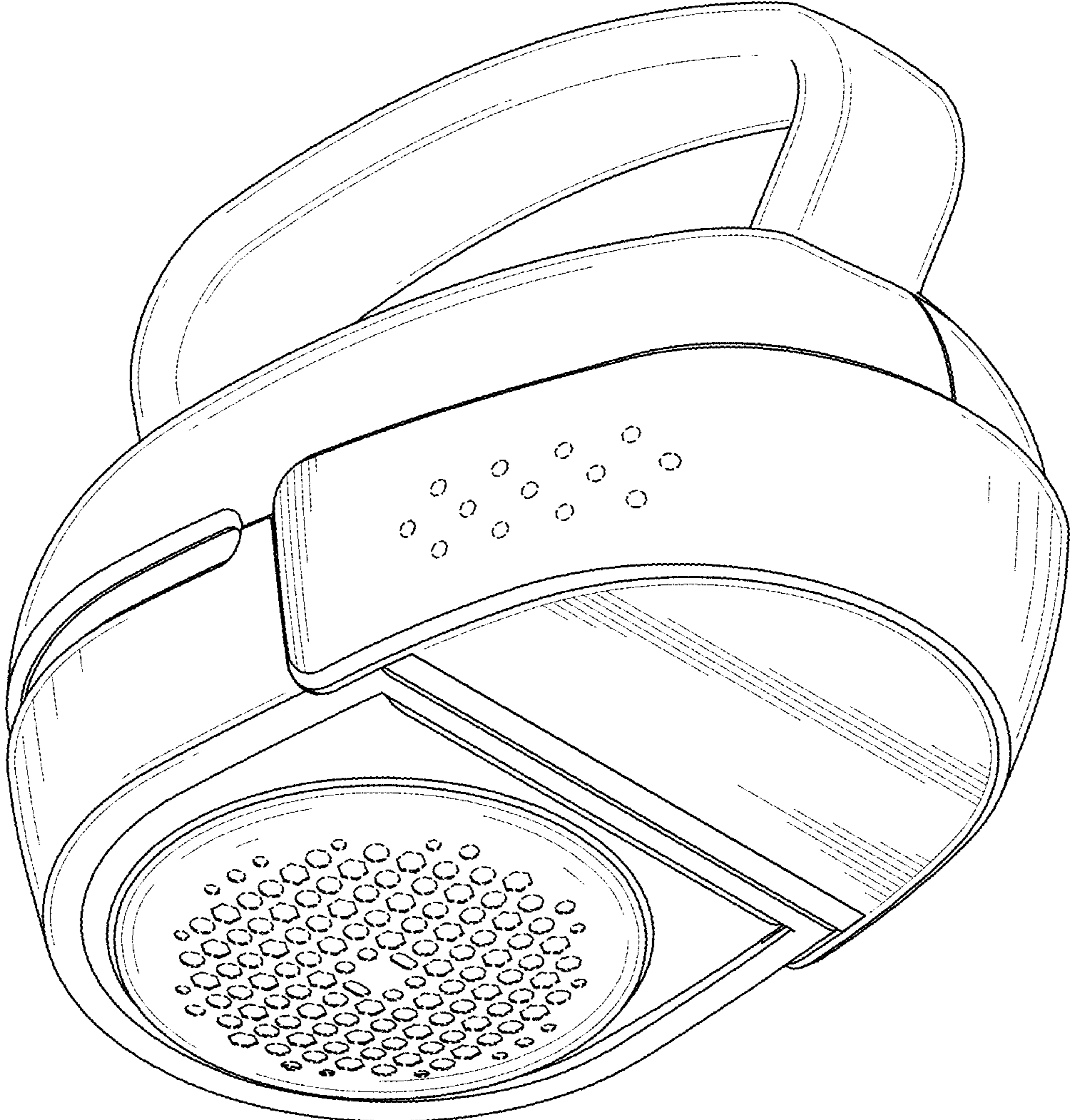


FIG.8