



US00D828625S

(12) **United States Design Patent** (10) **Patent No.:** **US D828,625 S**  
**Forti et al.** (45) **Date of Patent:** **\*\* Sep. 11, 2018**

(54) **RAZOR**  
(71) Applicant: **The Gillette Company, LLC**, Boston, MA (US)  
(72) Inventors: **Alexander Stephen Forti**, Dedham, MA (US); **Robert Harold Johnson**, Hingham, MA (US); **Hong Lu**, Newton, MA (US); **Vanessa Christie**, Boston, MA (US); **Thomas Anthony Gernetzke**, Beverly, MA (US); **Michael David Tinstman**, Malden, MA (US); **Benjamin Andrew Bangser**, Los Angeles, CA (US); **Neil Dustin Lettenberger**, Boston, MA (US); **Jack Anthony Washington**, Mendon, MA (US)

D741,010 S *	10/2015	Wang	.....	D28/47
D766,506 S *	9/2016	Bruno	.....	D28/47
D790,987 S *	7/2017	Damon	.....	D28/46
D797,372 S *	9/2017	Forti	.....	D28/46
D797,373 S *	9/2017	Forti	.....	D28/48
D797,374 S *	9/2017	Forti	.....	D28/48
D797,375 S *	9/2017	Forti	.....	D28/48
D797,376 S *	9/2017	Forti	.....	D28/48
D813,455 S *	3/2018	Forti	.....	D28/48
D814,114 S *	3/2018	Forti	.....	D28/48
D814,115 S *	3/2018	Forti	.....	D28/48
D814,116 S *	3/2018	Forti	.....	D28/48

\* cited by examiner

*Primary Examiner* — Jennifer A Rivard

(74) *Attorney, Agent, or Firm* — Joanne N. Pappas; Kevin C. Johnson

(73) Assignee: **The Gillette Company LLC**, Boston, MA (US)

(\*\*) Term: **15 Years**

(21) Appl. No.: **29/603,029**

(22) Filed: **May 5, 2017**

(51) **LOC (11) Cl.** ..... **28-03**

(52) **U.S. Cl.**  
USPC ..... **D28/48**

(58) **Field of Classification Search**  
USPC ..... D28/46-48  
CPC ..... B26B 21/52-21/528; B26B 21/14-21/38;  
B26B 21/08; B26B 21/00  
See application file for complete search history.

(56) **References Cited**

U.S. PATENT DOCUMENTS

D741,008 S *	10/2015	Bruno	.....	D28/47
D741,009 S *	10/2015	Bruno	.....	D28/47

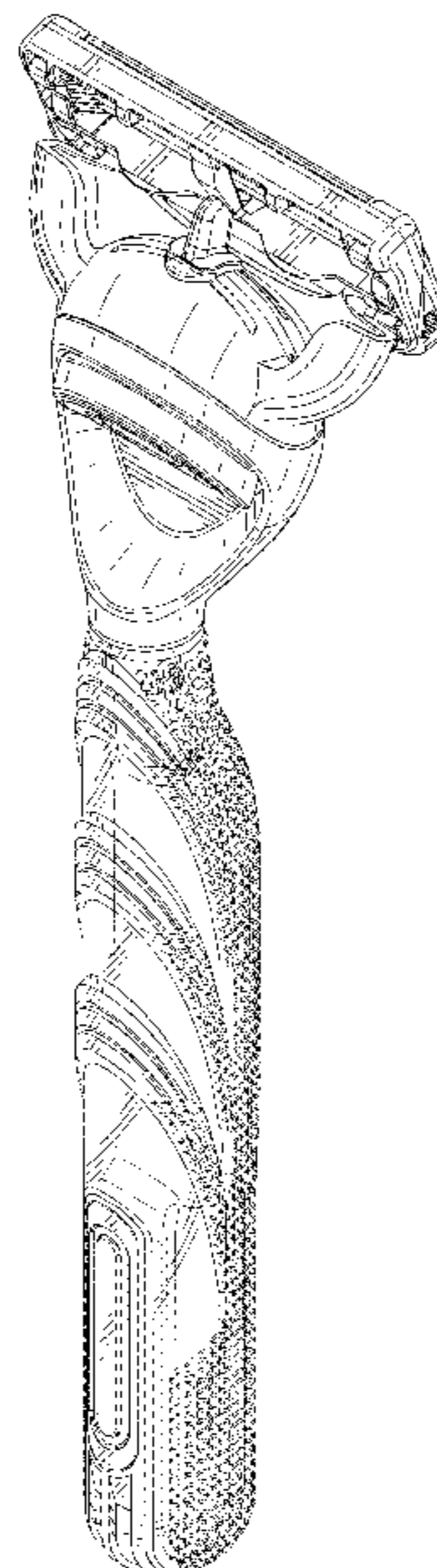
(57) **CLAIM**

The ornamental design for a razor, as shown and described.

**DESCRIPTION**

FIG. 1 is a perspective view of a razor of the present invention;  
FIG. 2 is a front view of the razor of FIG. 1;  
FIG. 3 is a back view of the razor of FIG. 1;  
FIG. 4 is a right side view of the razor of FIG. 1;  
FIG. 5 is a left side view of the razor of FIG. 1;  
FIG. 6 is a top view of the razor of FIG. 1;  
FIG. 7 is a bottom view of the razor of FIG. 1; and,  
FIG. 8 is a cross-sectional view taken at 8-8 of FIG. 2.  
Further, the dash broken lines are shown for illustrative purposes only and form no part of the claimed design.

**1 Claim, 6 Drawing Sheets**



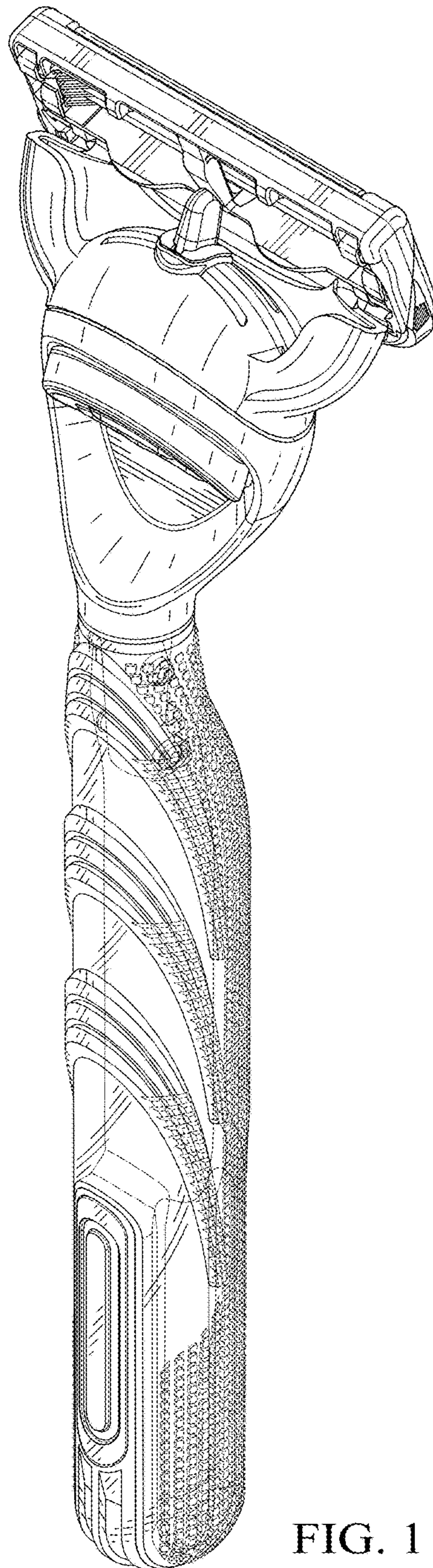


FIG. 1



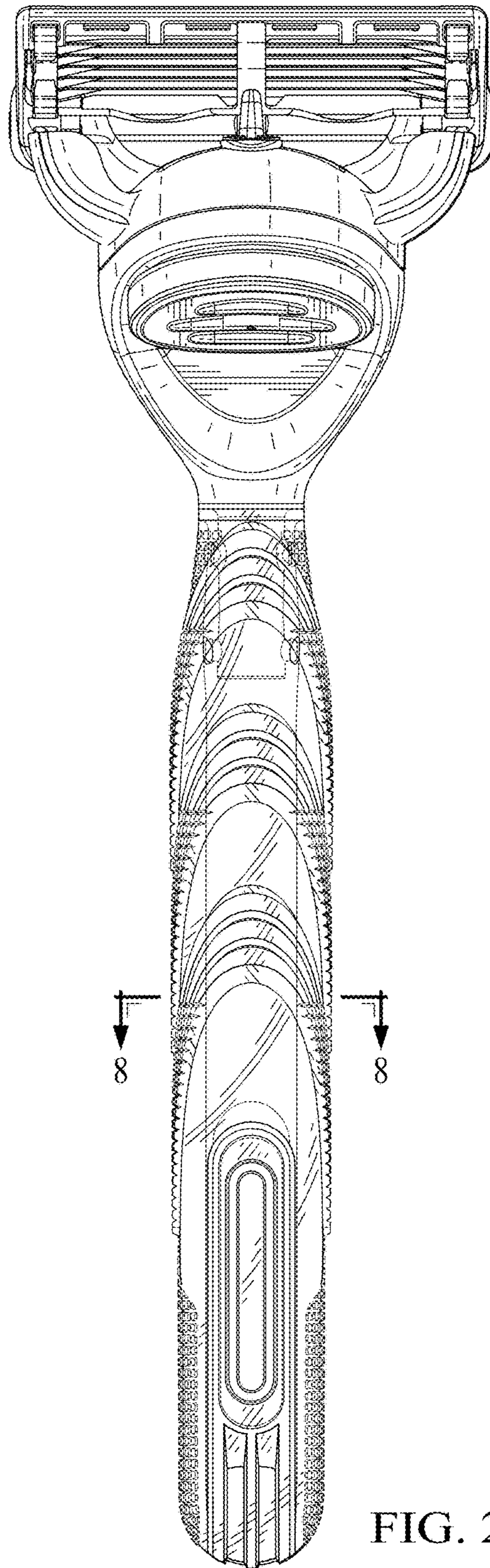


FIG. 2

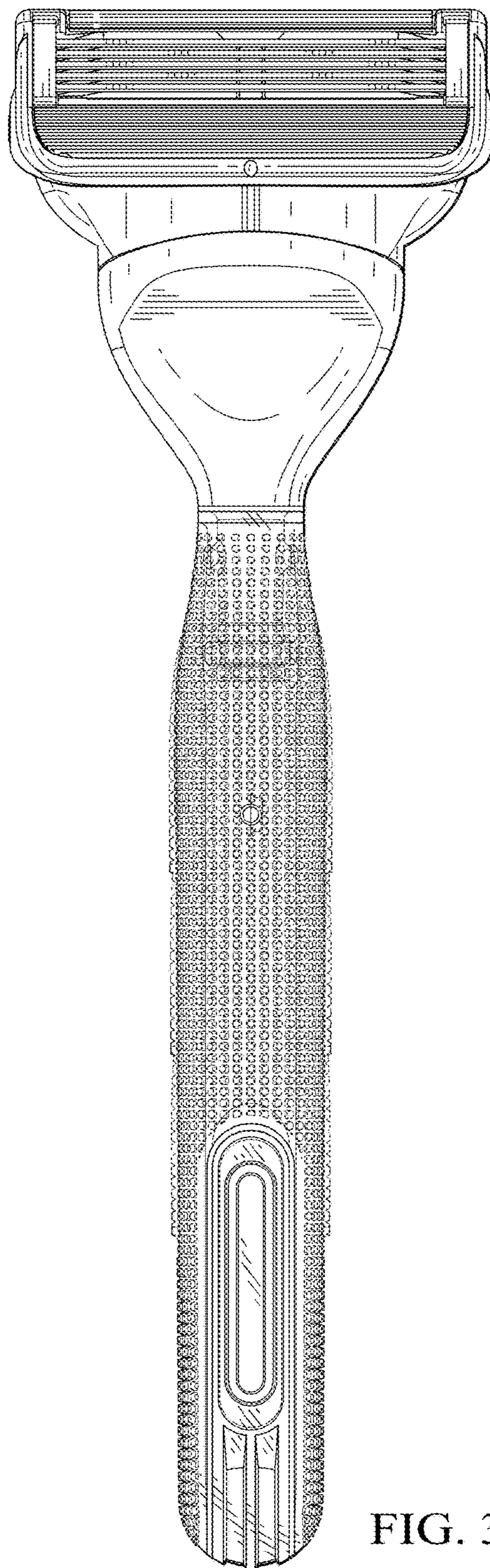


FIG. 3



FIG. 4

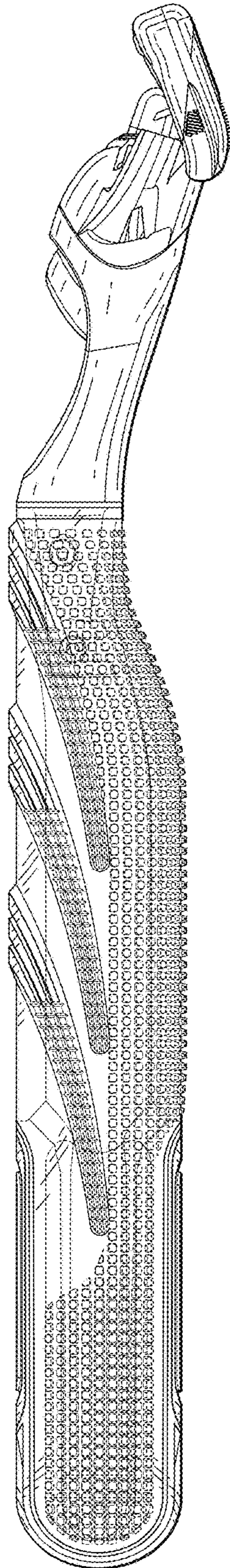
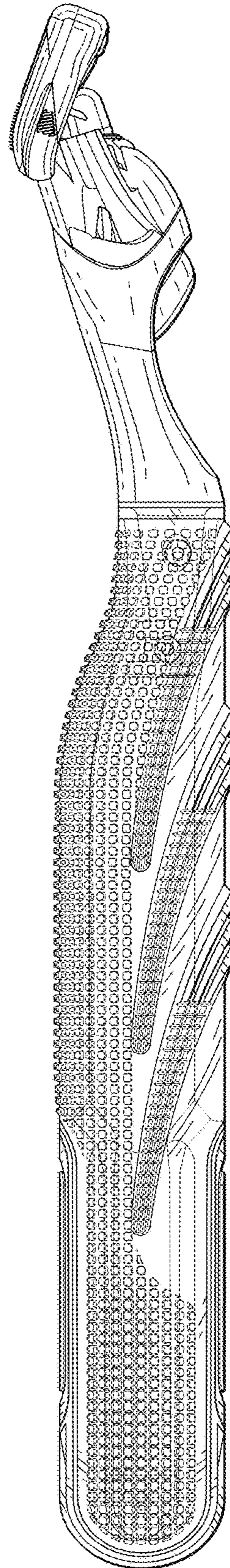


FIG. 5



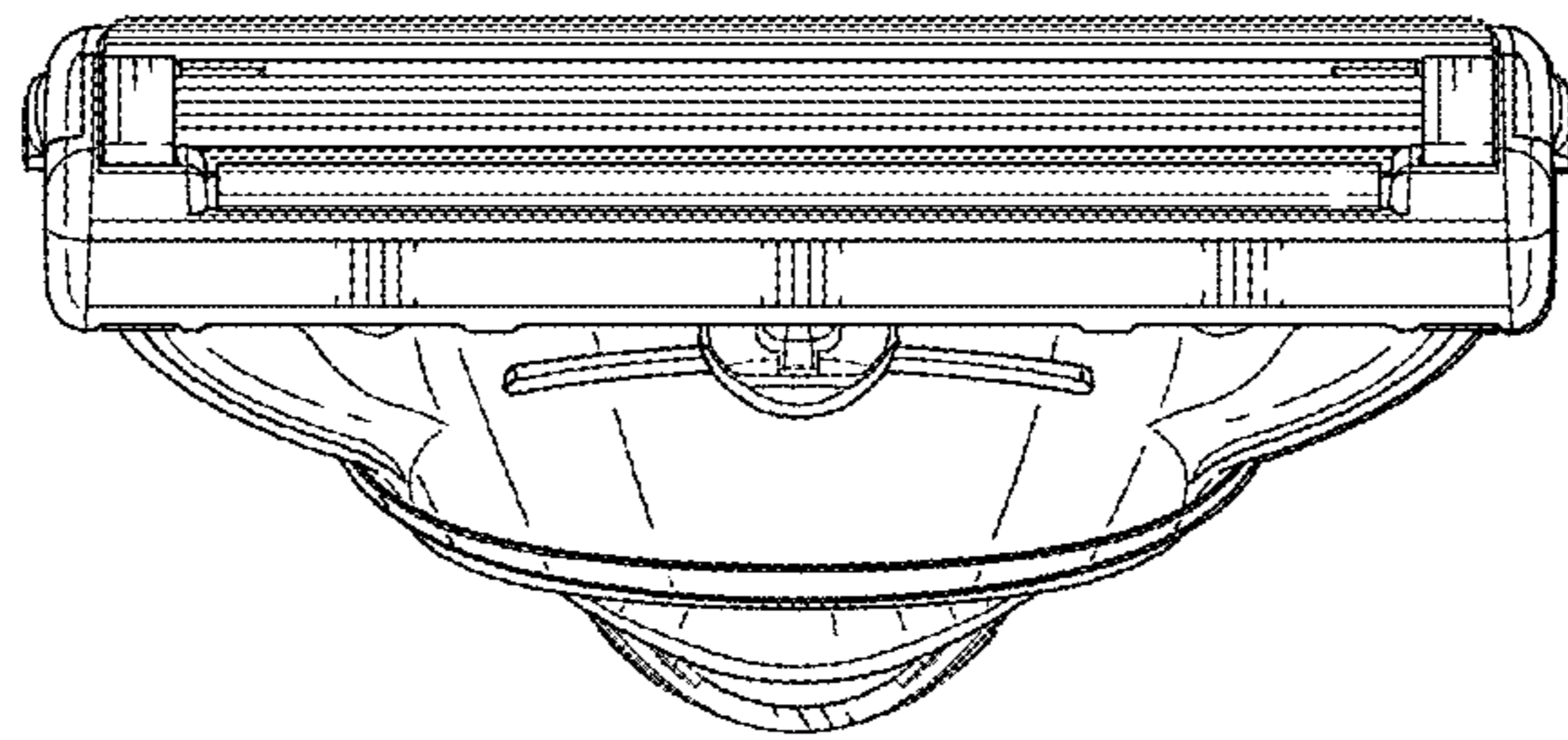


FIG. 6

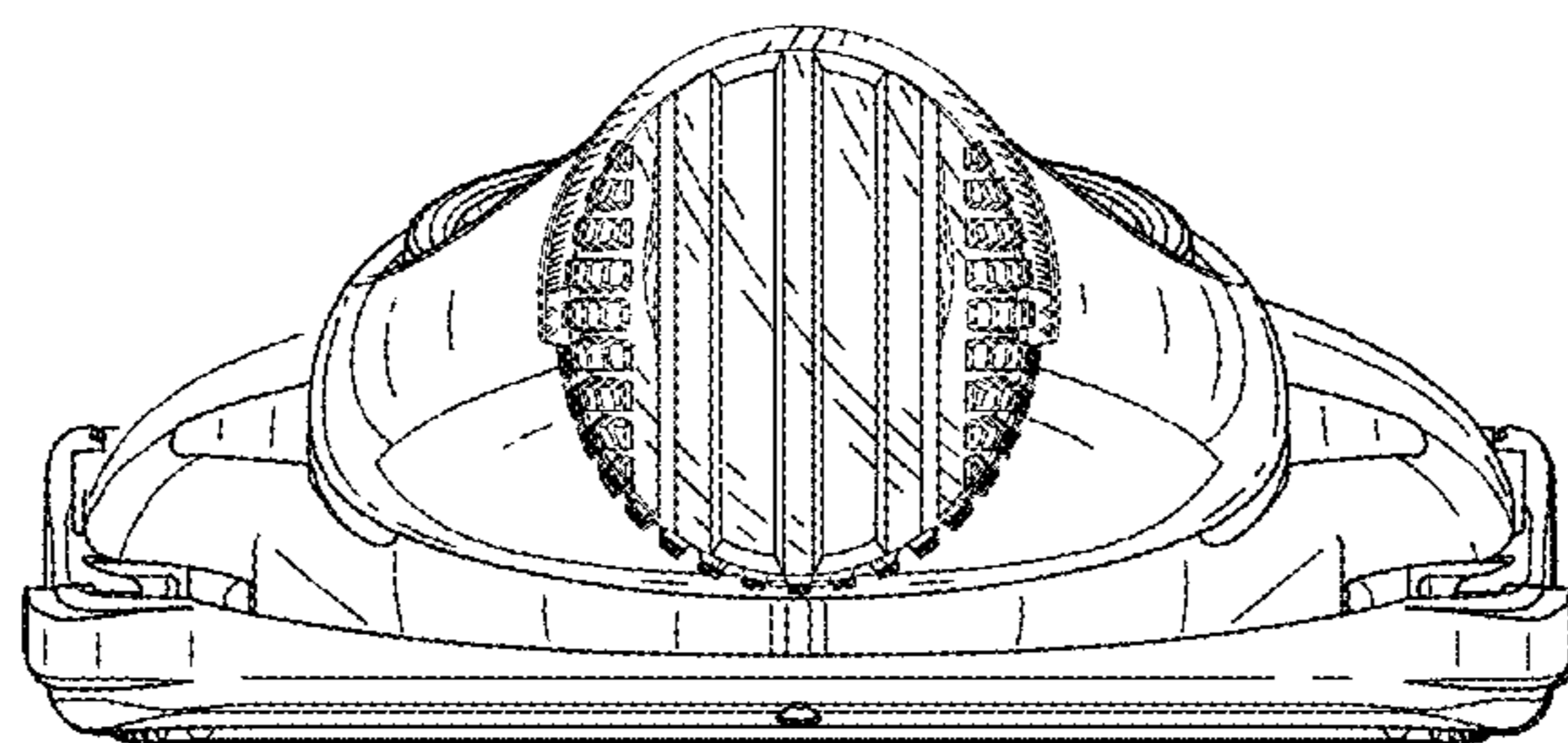


FIG. 7

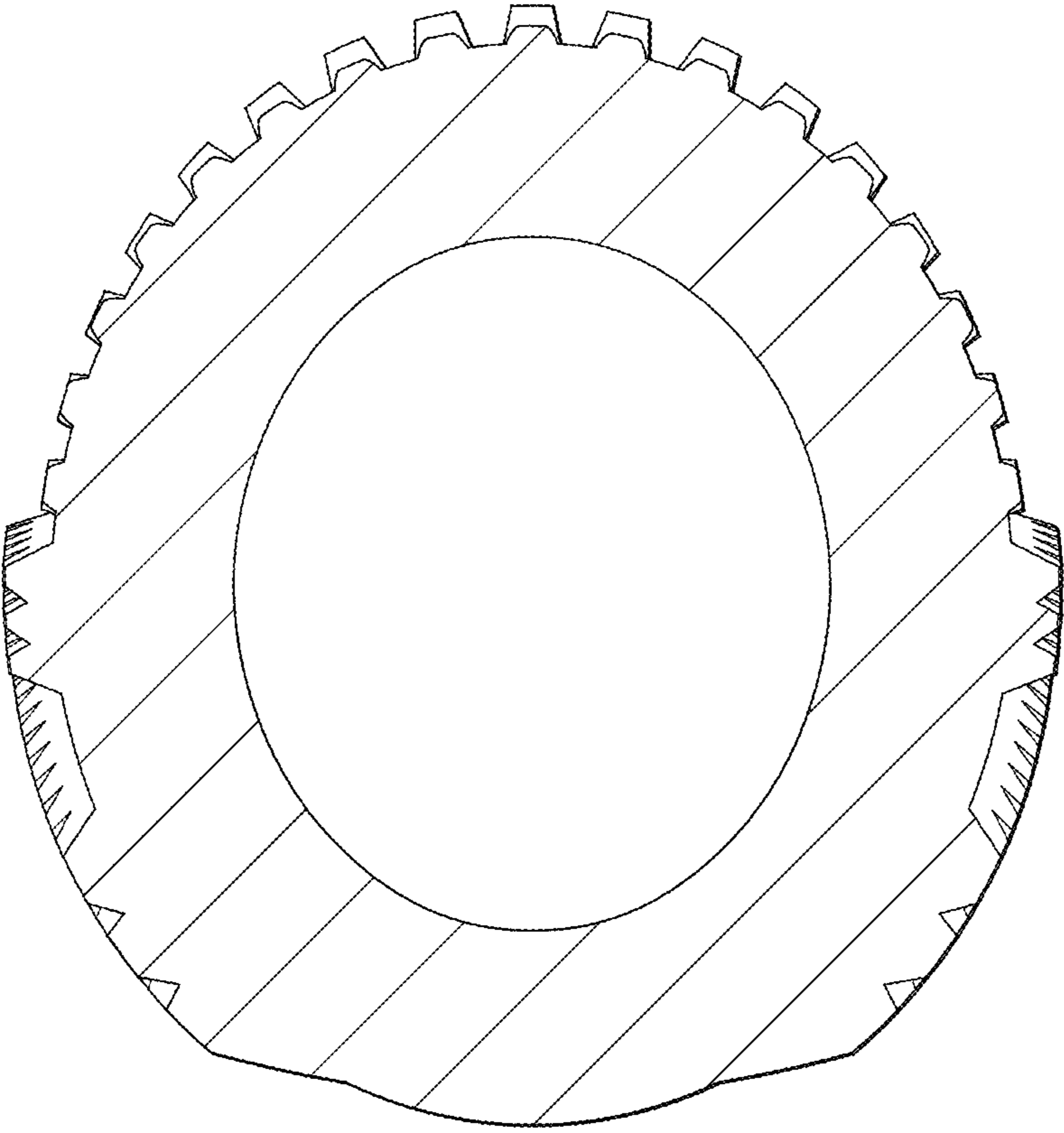


FIG. 8