



US00D828624S

(12) **United States Design Patent** (10) **Patent No.:** **US D828,624 S**  
**Tokko** (45) **Date of Patent:** **\*\* Sep. 11, 2018**

(54) **WORK HOLDER FOR HAIR EXTENSION**

(71) Applicant: **Ryan Tokko**, Los Angeles, CA (US)

(72) Inventor: **Ryan Tokko**, Los Angeles, CA (US)

(\*\*) Term: **15 Years**

(21) Appl. No.: **29/627,029**

(22) Filed: **Nov. 21, 2017**

(51) **LOC (11) Cl.** ..... **28-03**

(52) **U.S. Cl.**

USPC ..... **D28/10; D28/73**

(58) **Field of Classification Search**

USPC ..... D28/9-10, 44, 57, 60, 73, 81, 85;  
D6/524-525, 546, 552, 566, 536, 540,  
D6/542, 567; 211/30, 85.3, 106, 181.1;  
D8/73; D7/590, 601, 631; D19/75

CPC ..... A41G 5/004; A01K 13/00; F16M 13/022;  
F16B 47/006; F16B 47/00; A47K 3/122;  
A47K 3/281; A47B 55/02; A45D 44/00;  
A45D 42/14

See application file for complete search history.

(56) **References Cited**

**U.S. PATENT DOCUMENTS**

2,145,142	A *	1/1939	Stout	.....	B41J 11/60 248/205.5
D222,087	S *	9/1971	Hagopian	.....	206/77.1
5,232,189	A *	8/1993	Koch	.....	F16B 47/00 211/106
D354,873	S *	1/1995	Odbert	.....	D6/566
D369,263	S *	4/1996	Gregg	.....	D6/540
D380,327	S *	7/1997	Marshall	.....	D6/552
D437,515	S *	2/2001	Remmers	.....	D6/566
D453,651	S *	2/2002	Snell	.....	D6/537
D465,406	S *	11/2002	Goodman	.....	D6/566
D468,190	S *	1/2003	Kennedy	.....	D15/72
D543,403	S *	5/2007	Tau	.....	D6/540
D563,708	S *	3/2008	Snell	.....	D6/566
D584,550	S *	1/2009	Millilo	.....	D6/540

D634,571	S *	3/2011	Hanna	.....	D6/524
D637,850	S *	5/2011	Ghiorghie	.....	D3/306
D697,787	S *	1/2014	Garcia	.....	D8/395
D713,651	S *	9/2014	Gilbert	.....	D6/524
D717,070	S *	11/2014	Callif	.....	D6/553
D723,301	S *	3/2015	Callif	.....	D3/306
D723,761	S *	3/2015	Goodman	.....	D32/55
D737,132	S *	8/2015	Garcia	.....	D8/395
D763,598	S *	8/2016	Goodman	.....	D6/537
D785,368	S *	5/2017	Goodman	.....	D6/566
D808,603	S *	1/2018	Yuan	.....	D32/55

(Continued)

**OTHER PUBLICATIONS**

Suction Cup Hooks Holder, HASKO Accessories, amazon.com, customer review with images posted by Kate Mahoney on Oct. 12, 2016 © 1996-2018 Amazon.com, Inc., online, site visited Jul. 16, 2018. Available from Internet, URL: <https://www.amazon.com/HASKO-accessories-Powerful-Vacuum-Suction/dp/B015258I4M> (Year: 2016).\*

(Continued)

*Primary Examiner* — Shannon W Morgan  
*Assistant Examiner* — Altaira J Swangin  
(74) *Attorney, Agent, or Firm* — Chanmin Park

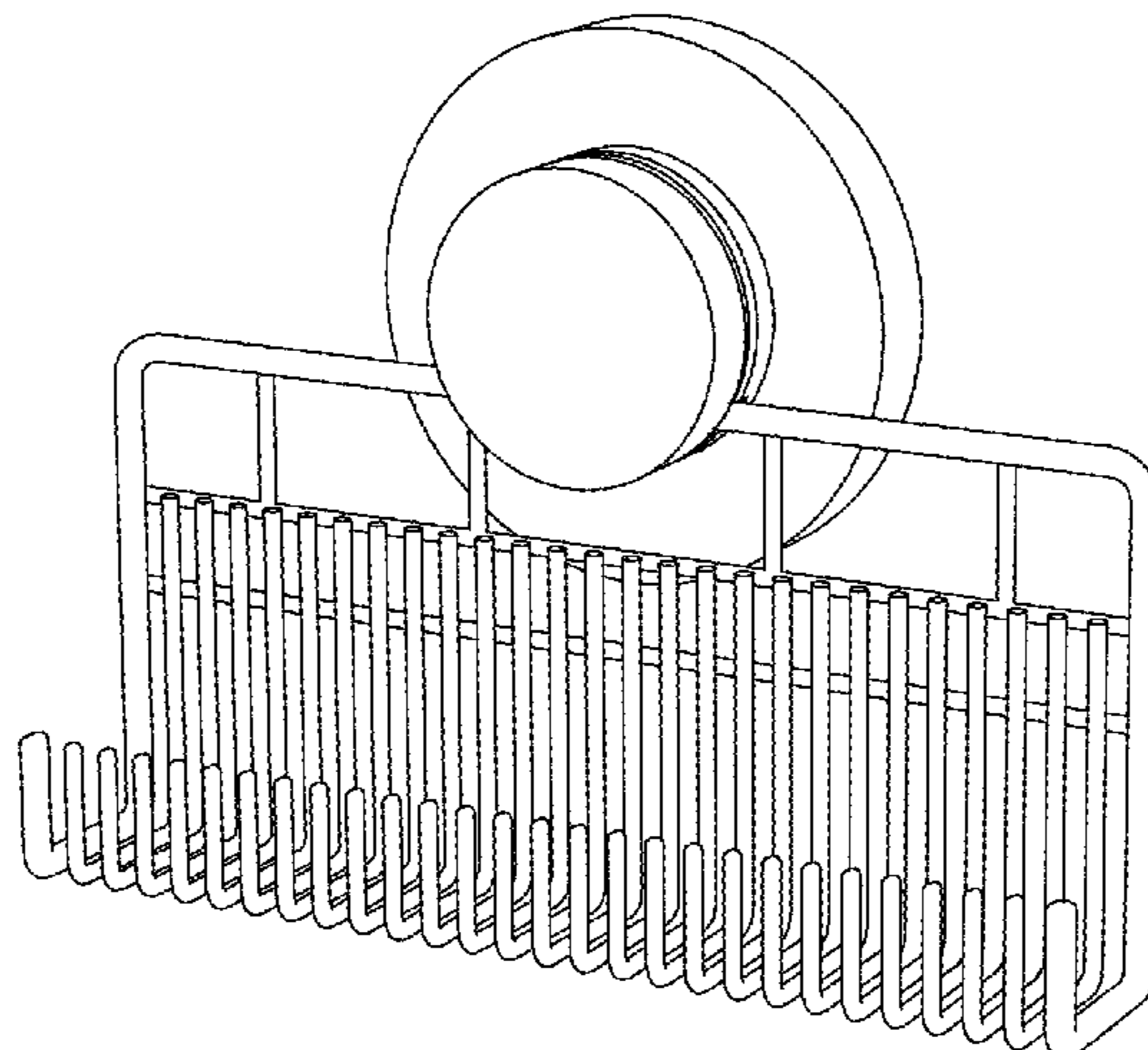
(57) **CLAIM**

The ornamental design for a work holder for hair extension, as shown and described.

**DESCRIPTION**

FIG. 1 is a top plan view of a work holder for hair extension showing my design;  
FIG. 2 is a bottom plan view thereof;  
FIG. 3 is a right side-elevation view thereof;  
FIG. 4 is a left side-elevation view thereof;  
FIG. 5 is a front elevation view thereof;  
FIG. 6 a rear elevation view thereof; and,  
FIG. 7 is a perspective view thereof.

**1 Claim, 4 Drawing Sheets**



(56)

**References Cited**

U.S. PATENT DOCUMENTS

D808,604 S \* 1/2018 Yuan ..... D32/55  
D808,605 S \* 1/2018 Yuan ..... D32/55  
2003/0010736 A1\* 1/2003 Hope ..... F06G 58/04  
211/133.5  
2014/0361136 A1\* 12/2014 Smith ..... F16B 47/006  
248/363

OTHER PUBLICATIONS

Suction Cup Soap Dish Holder, HASKO Accessories, amazon.com, review with images by Lia Bloom on Feb. 20, 2016 © 1996-2018 Amazon.com, Inc., online, site visited Jul. 16, 2018. Available from Internet, URL: <https://www.amazon.com/HASKO-accessories-Powerful-Vacuum-Suction/dp/B01A61Z20K> (Year: 2016).\*

\* cited by examiner

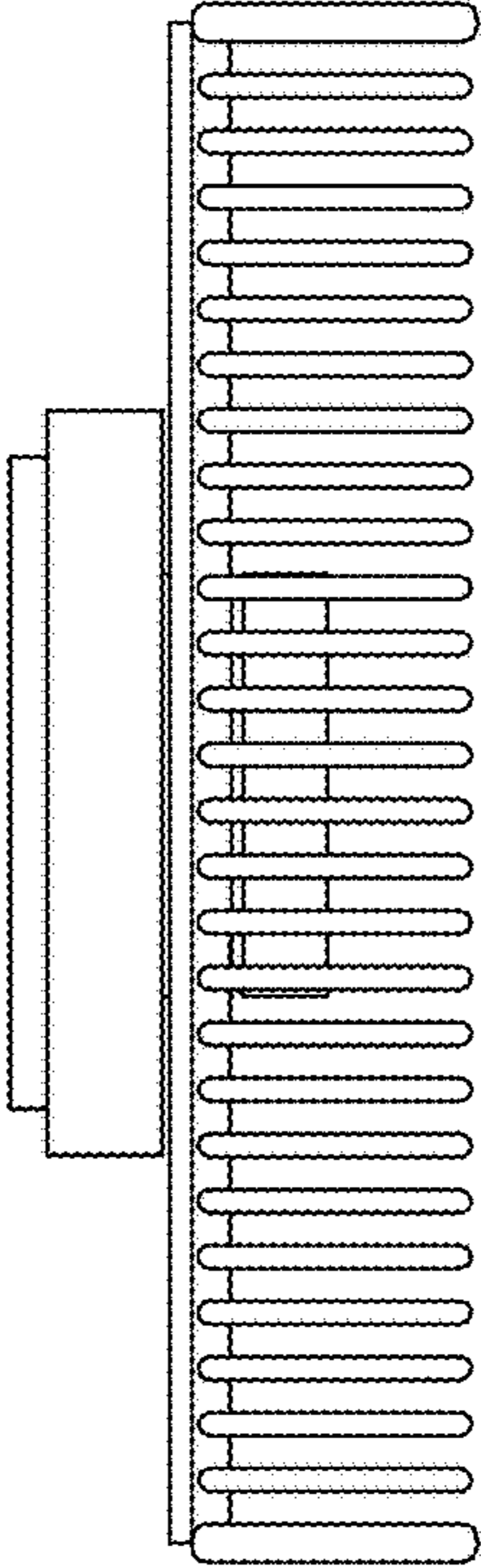


FIG. 1

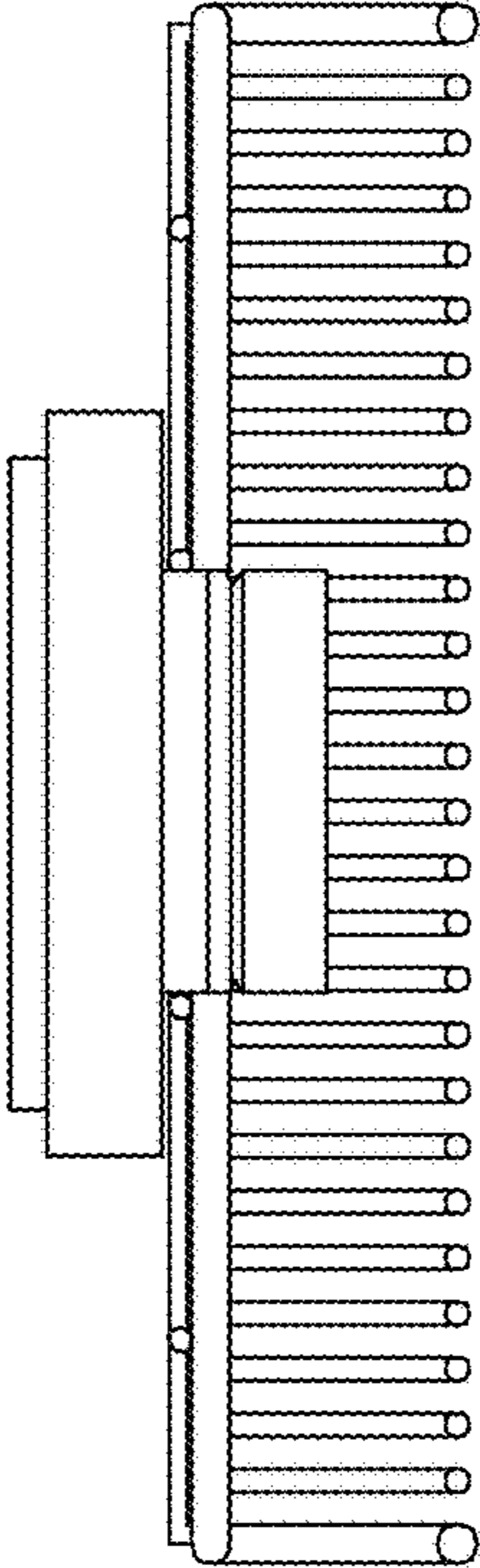


FIG. 2

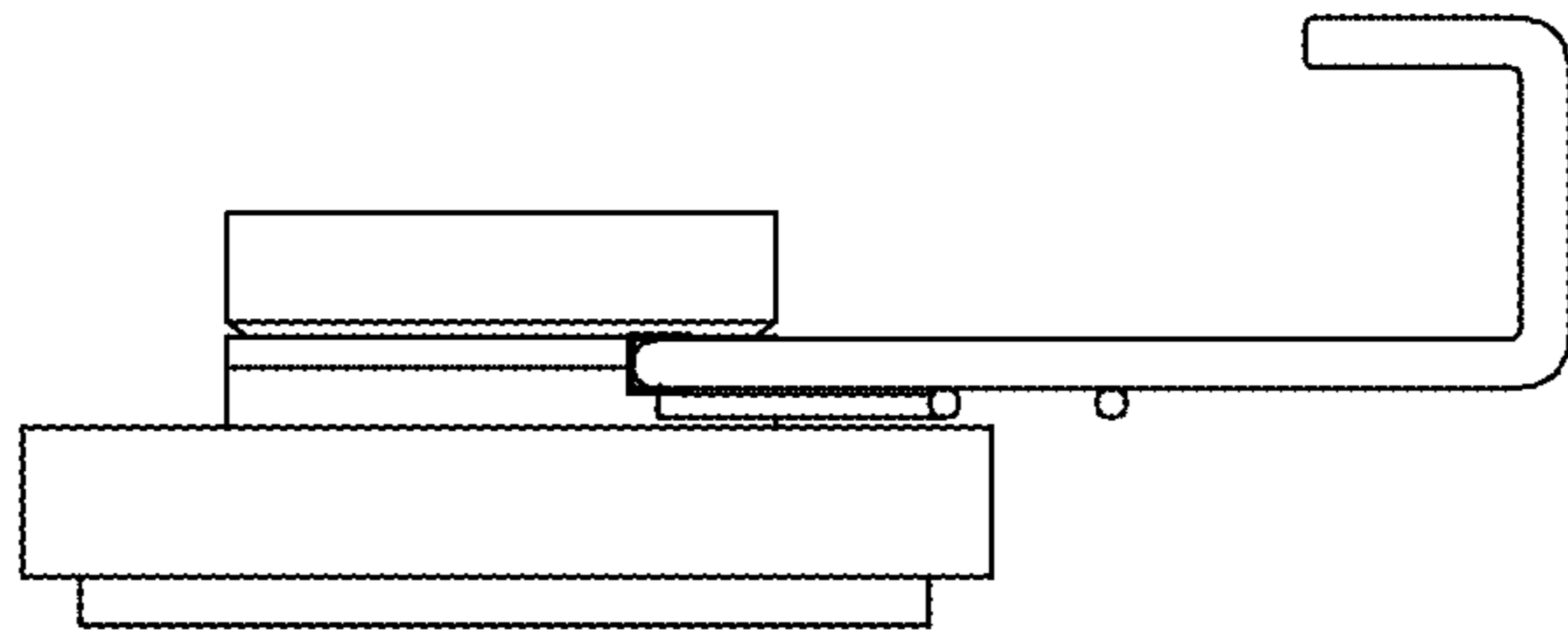


FIG. 4

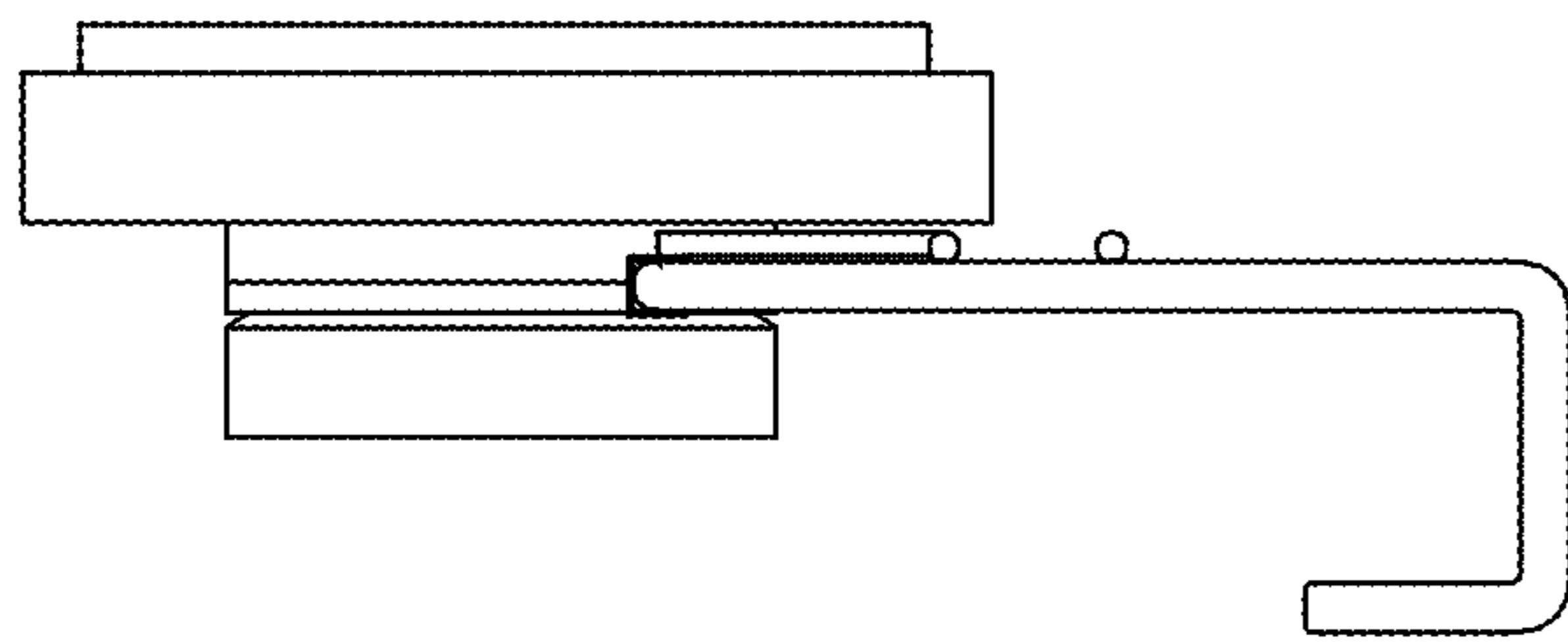


FIG. 3

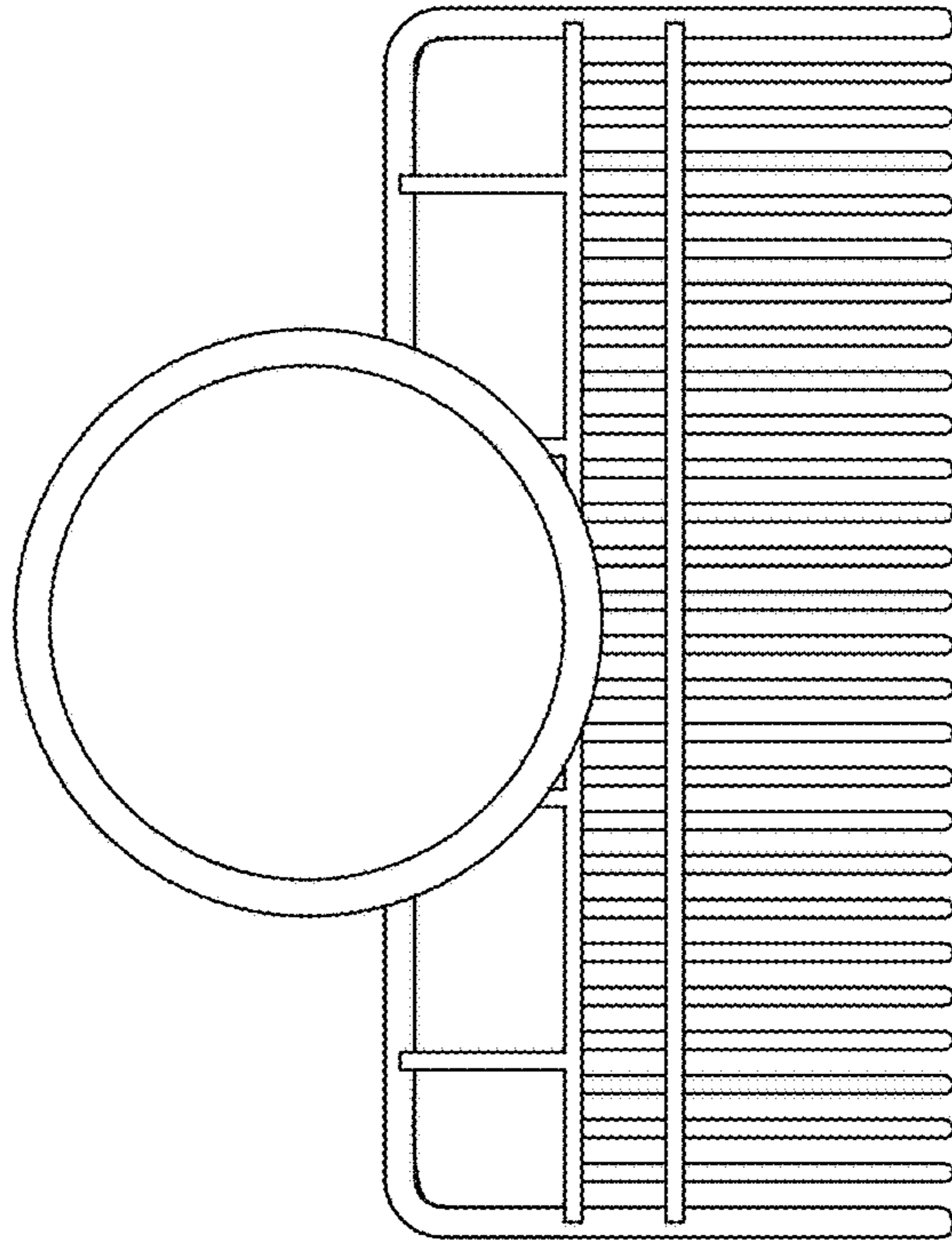


FIG. 5

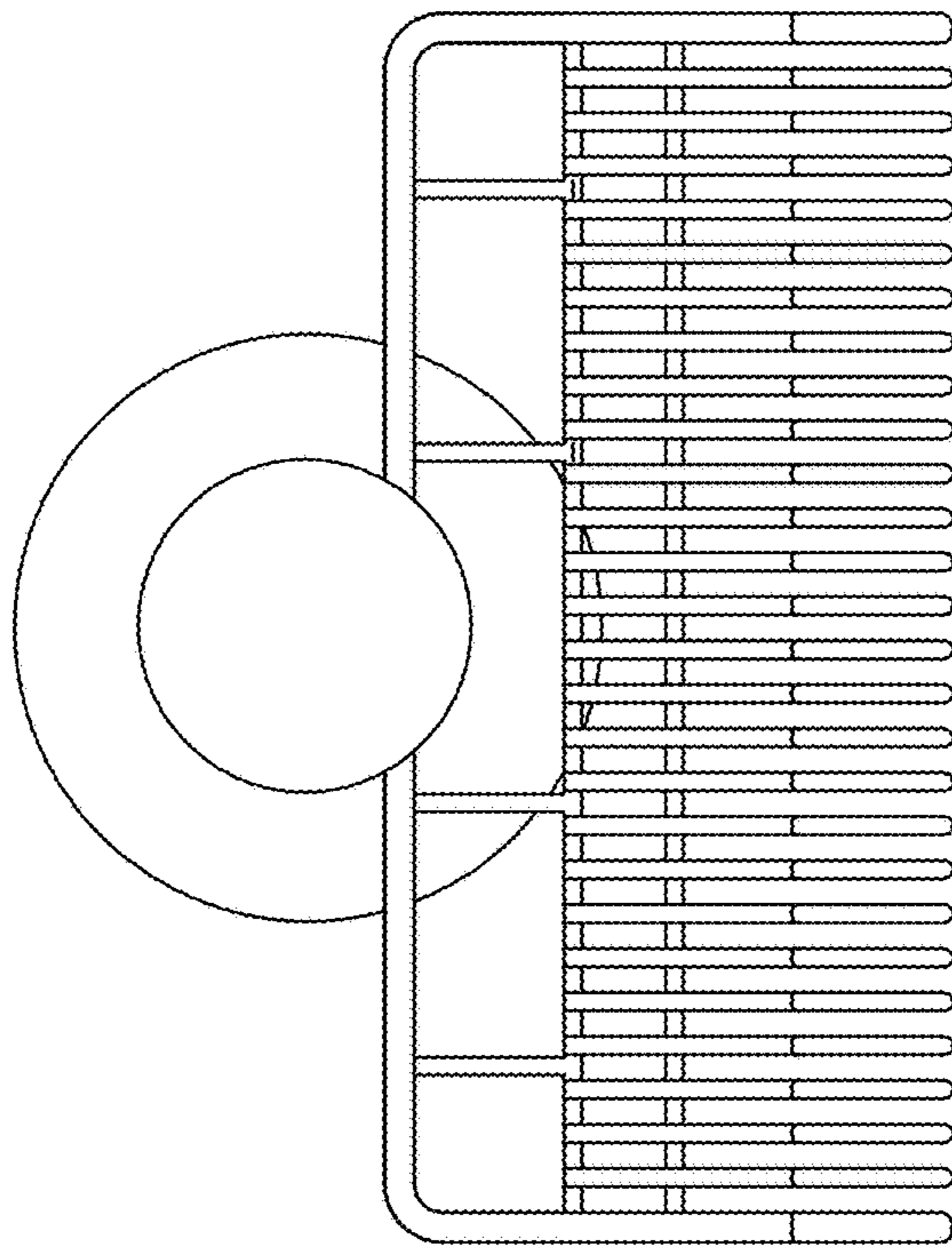


FIG. 6

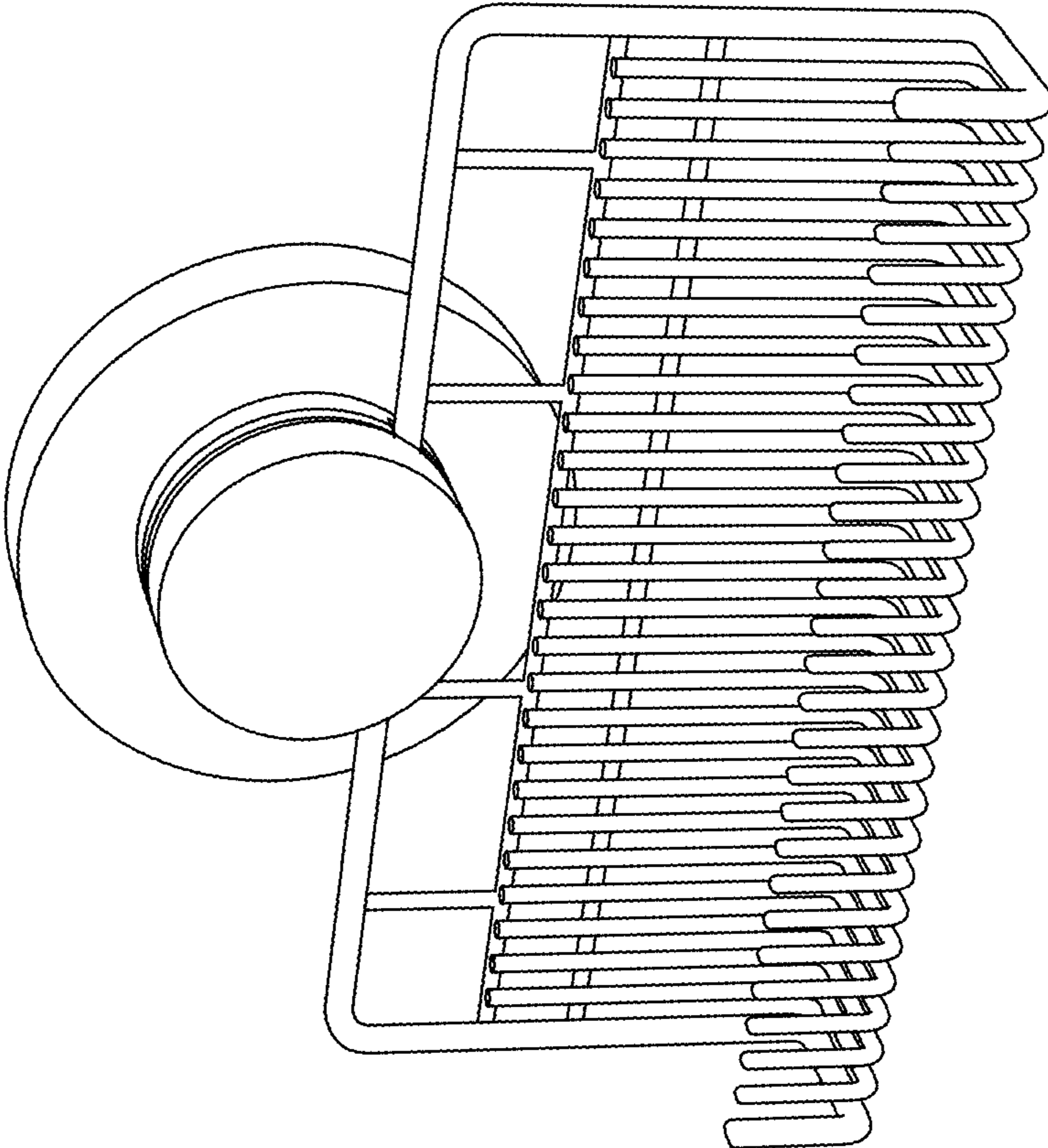


FIG. 7