



US00D828621S

(12) **United States Design Patent**  
**Qiu**

(10) **Patent No.:** **US D828,621 S**

(45) **Date of Patent:** **\*\* Sep. 11, 2018**

(54) **ELECTRONIC CIGARETTE**

(71) Applicant: **Changzhou Patent Electronic Technology Co., LTD.**, Changzhou, Jiangsu (CN)

(72) Inventor: **Weihua Qiu**, Jiangsu (CN)

(73) Assignee: **CHANGZHOU PATENT ELECTRONIC TECHNOLOGY CO., LTD.**, Changzhou, Jiangsu (CN)

(\*\*) Term: **15 Years**

(21) Appl. No.: **29/615,810**

(22) Filed: **Aug. 31, 2017**

(30) **Foreign Application Priority Data**

Dec. 31, 2016 (CN) ..... 2016 3 0662052

(51) **LOC (11) Cl.** ..... **27-02**

(52) **U.S. Cl.**  
USPC ..... **D27/162**

(58) **Field of Classification Search**  
USPC ..... D27/101, 100, 106, 108, 163, 165-169, D27/172, 174, 175, 183, 186-190, 193, D27/195; D24/110; D9/516, 522, 523, D9/572; 128/202.21, 203.12; 131/273, 131/274, 191, 328-330  
CPC .... A24F 47/002; A24F 47/004; A24F 47/006; A24F 47/008; A61M 15/06  
See application file for complete search history.

(56) **References Cited**

**U.S. PATENT DOCUMENTS**

D723,373 S \* 3/2015 Wahl ..... D9/449  
D753,336 S \* 4/2016 Chen ..... D27/101

D759,303 S \* 6/2016 Afridi ..... D27/101  
D772,477 S \* 11/2016 Shin ..... D27/163  
D773,114 S \* 11/2016 Leidel ..... D27/163  
D799,111 S \* 10/2017 Qiu ..... D27/101  
D799,744 S \* 10/2017 Qiu ..... D27/101  
D799,746 S \* 10/2017 Leidel ..... D27/163  
D800,377 S \* 10/2017 Liu ..... D27/101  
D802,206 S \* 11/2017 Huang ..... D27/101  
D809,191 S \* 1/2018 Li ..... D27/101  
D814,693 S \* 4/2018 Qiu ..... D27/101

\* cited by examiner

*Primary Examiner* — Susan Bennett Hattan

*Assistant Examiner* — Rebecca Tsehaye

(74) *Attorney, Agent, or Firm* — Novick, Kim & Lee, PLLC; Allen Xue; Hyun Woo Shin

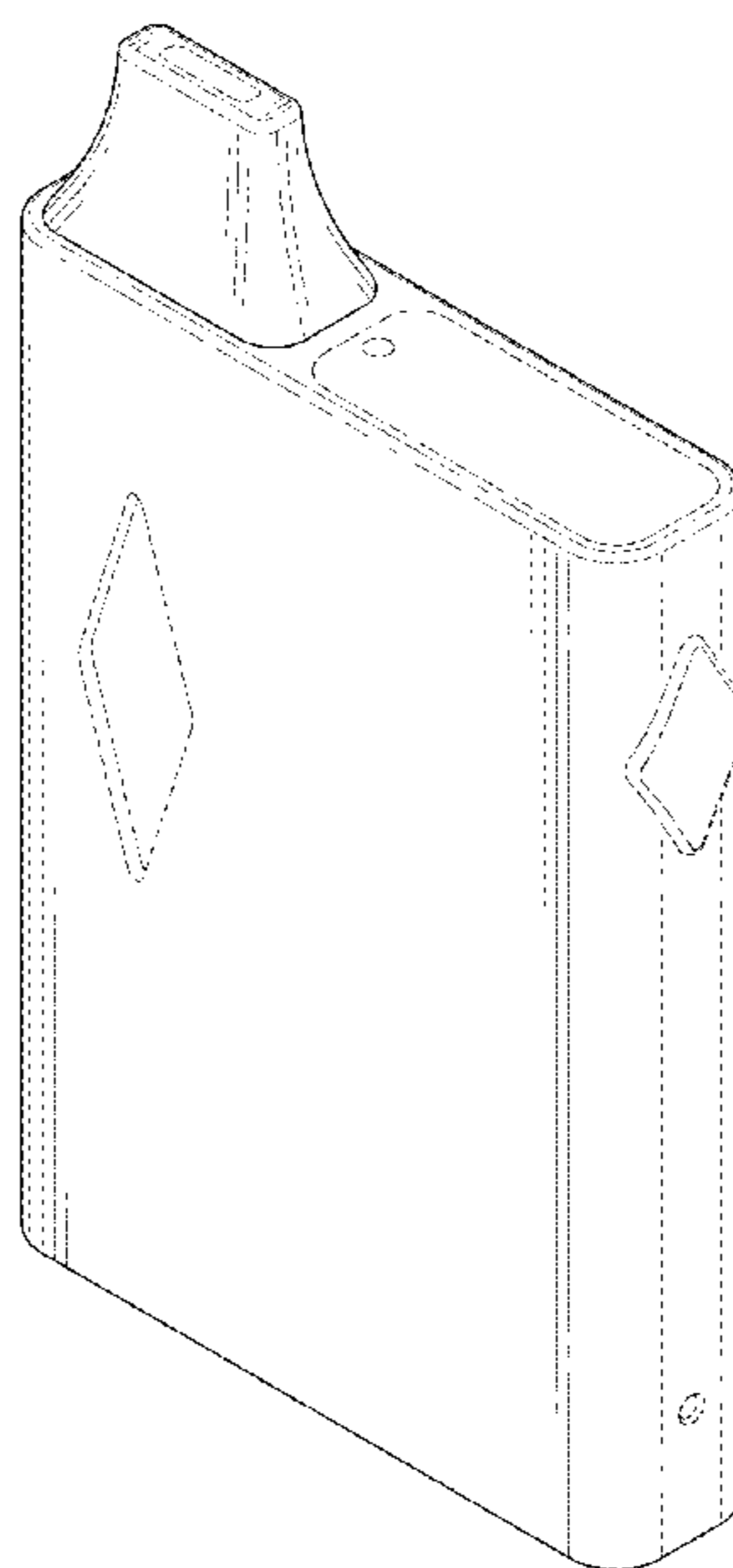
(57) **CLAIM**

I claim the ornamental design for an electronic cigarette, as shown and described.

**DESCRIPTION**

FIG. 1 is a top, front, right side perspective view of an electronic cigarette, showing my new design;  
FIG. 2 is a bottom, rear, left side perspective view thereof;  
FIG. 3 is a front elevational view thereof;  
FIG. 4 is a rear elevational view thereof;  
FIG. 5 is a left side elevational view thereof;  
FIG. 6 is a right side elevational view thereof;  
FIG. 7 is a top plan view thereof; and,  
FIG. 8 is a bottom plan view thereof.  
The broken lines in the drawings show portions of the electronic cigarette which form no part of the claimed design.

**1 Claim, 8 Drawing Sheets**



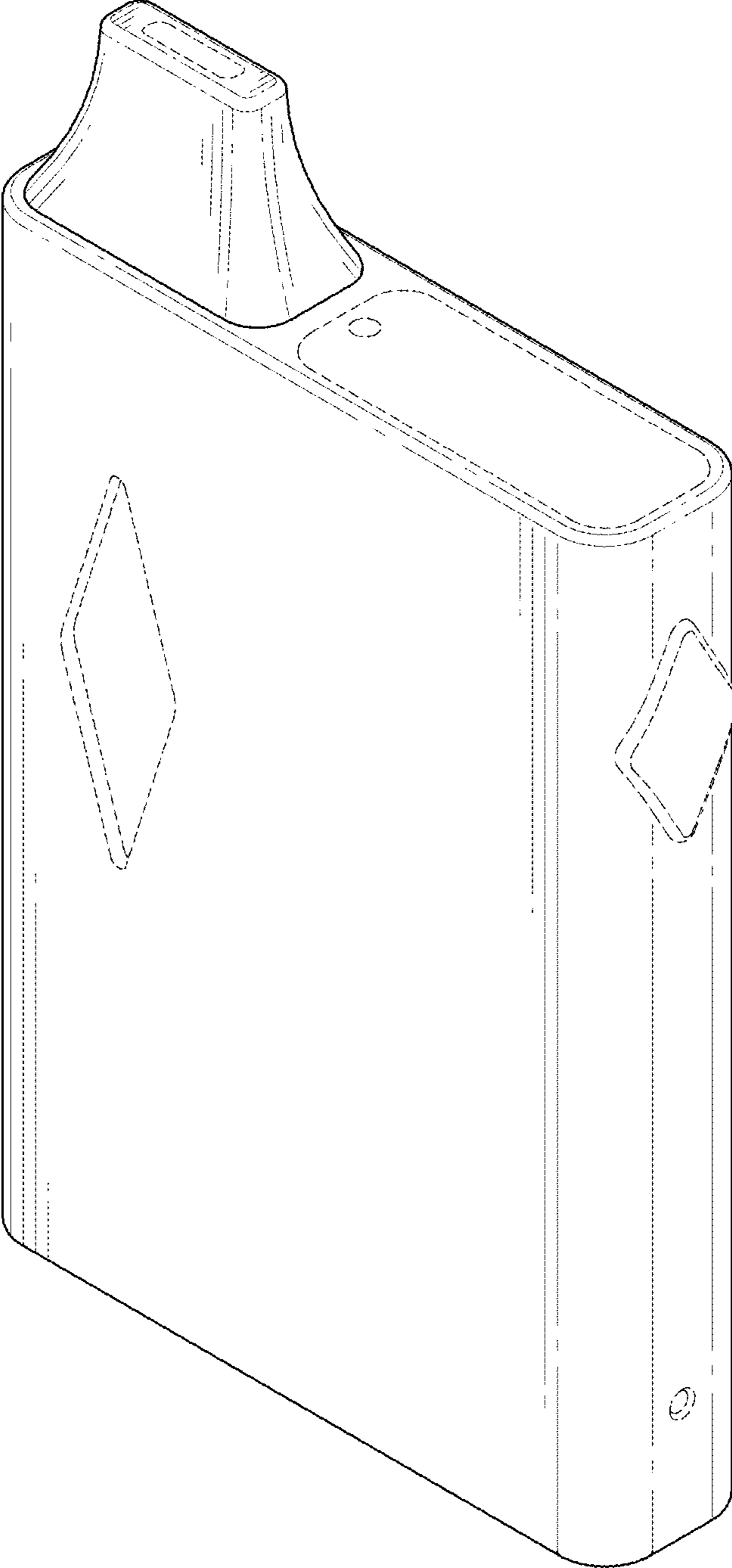


FIG. 1

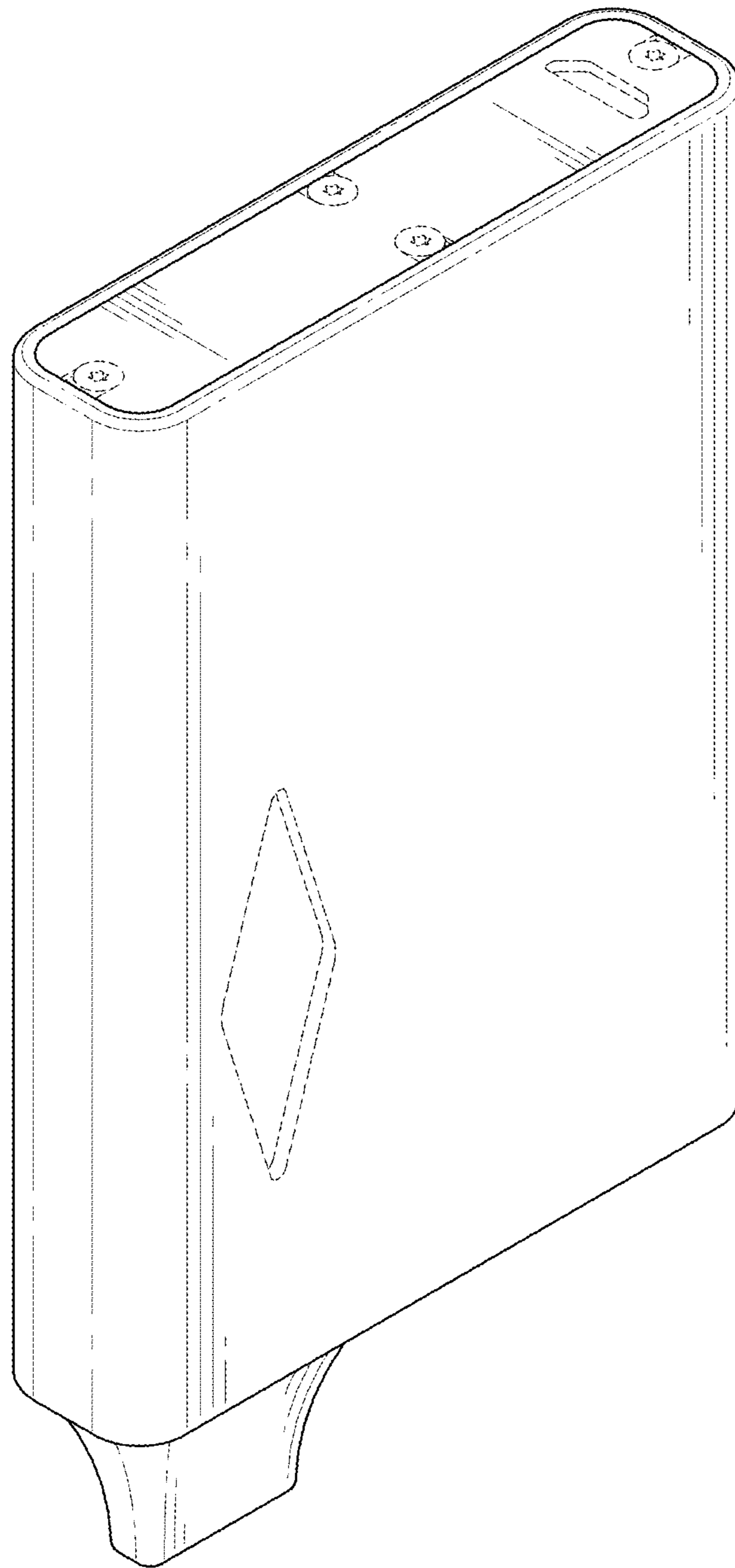


FIG. 2

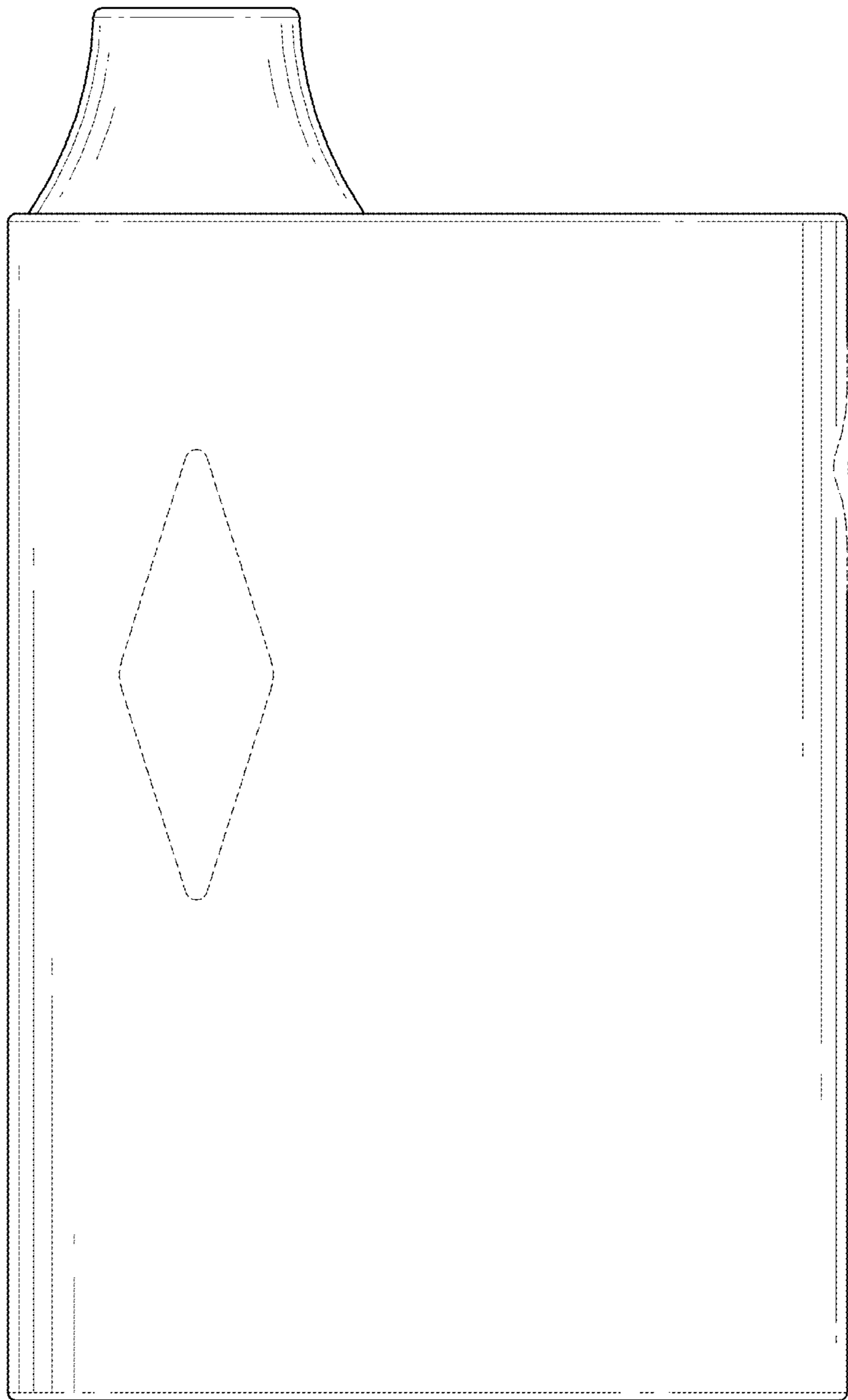


FIG. 3

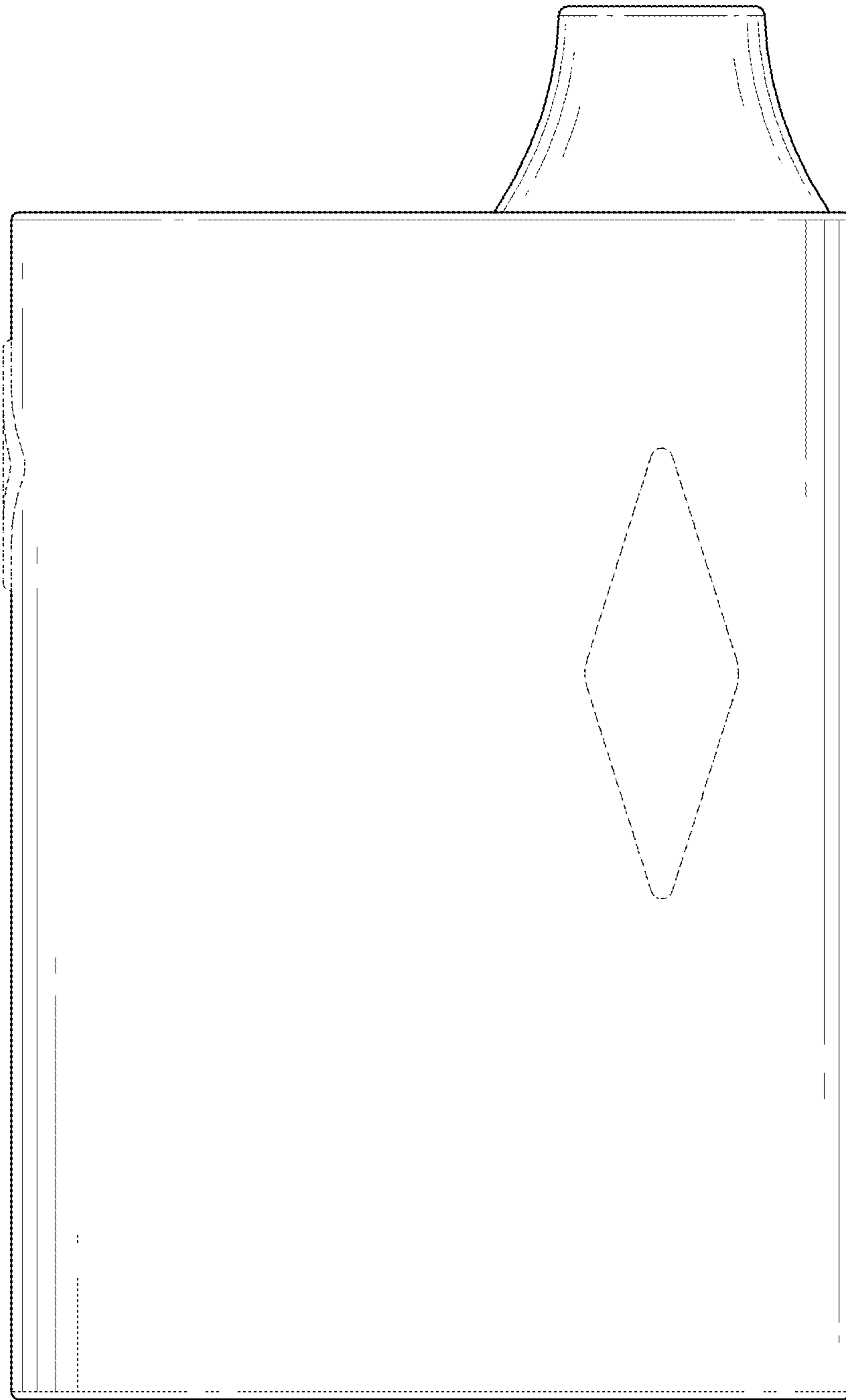


FIG. 4

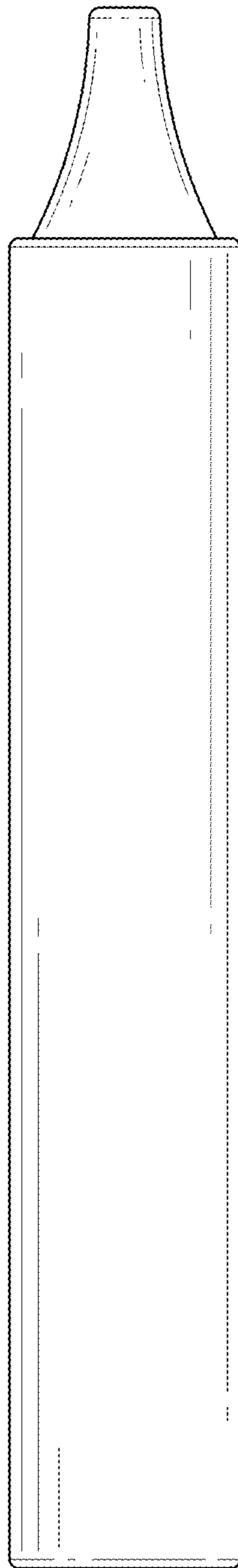


FIG. 5

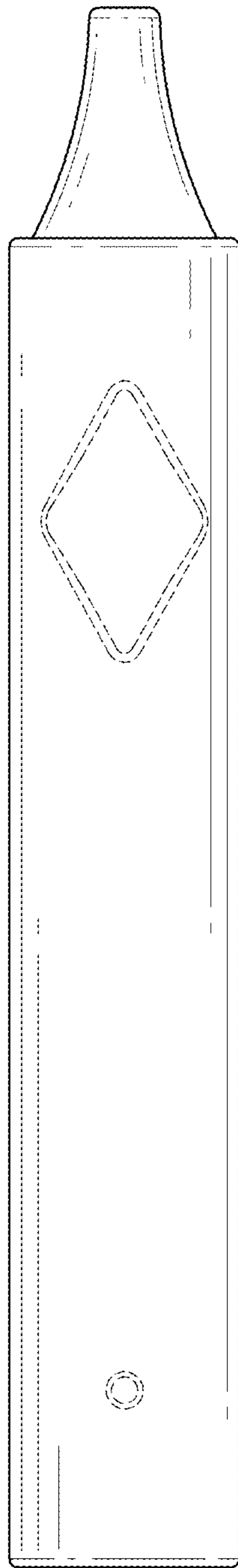


FIG. 6

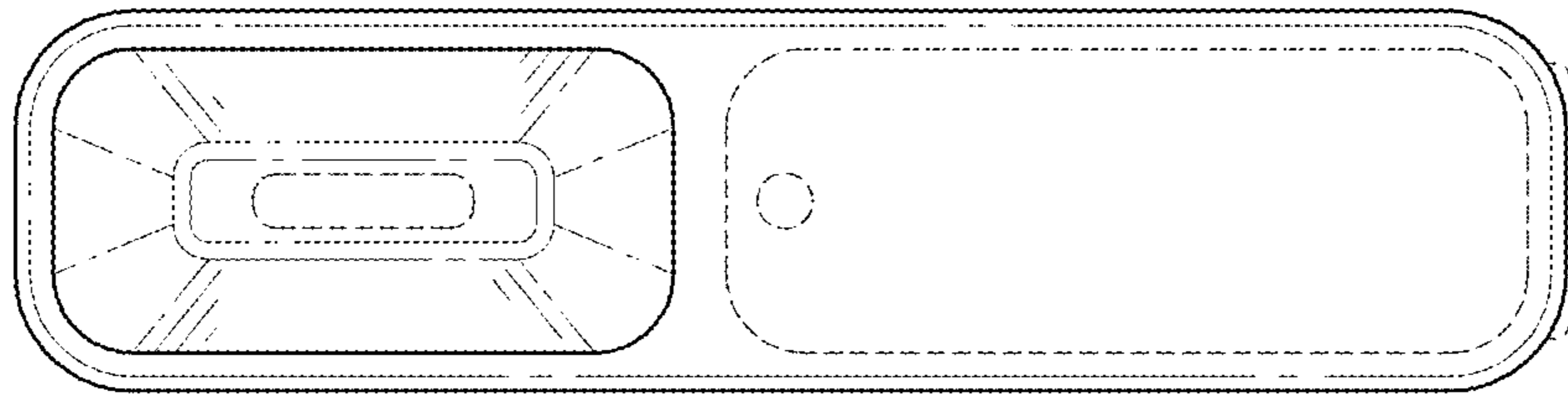


FIG. 7



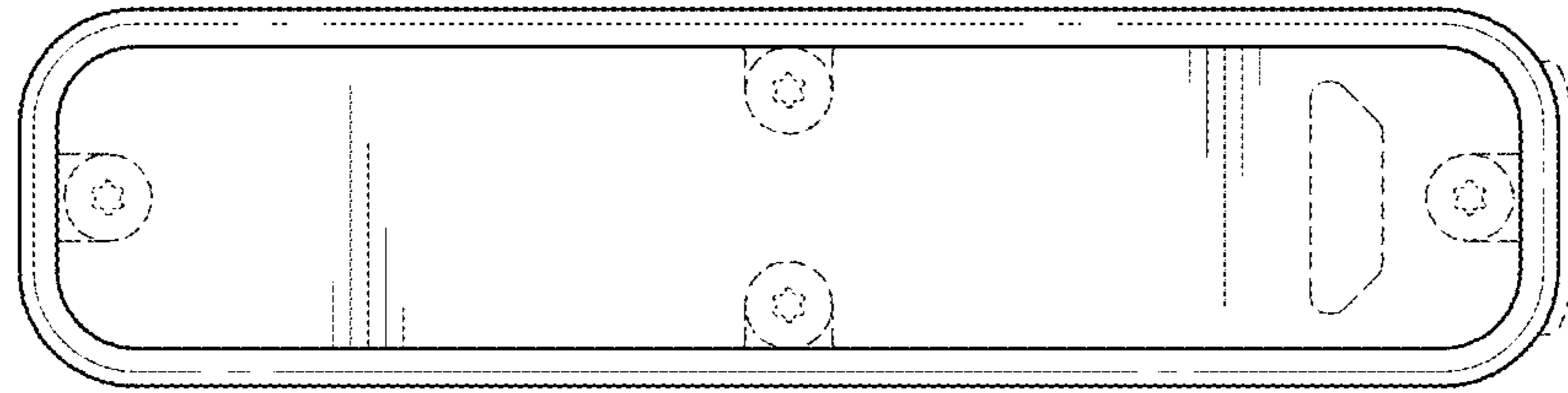


FIG. 8