



US00D828620S

(12) **United States Design Patent** (10) **Patent No.:** **US D828,620 S**
Möller et al. (45) **Date of Patent:** **** Sep. 11, 2018**

(54) **SPOTLIGHT**
(71) Applicant: **Arnold & Richter Cine Technik gmbH & Co Betriebs KG**, Munich (DE)
(72) Inventors: **Andreas Möller**, Munich (DE); **Heinz Ostermann**, Munich (DE); **Erwin Melzner**, Frasdorf (DE); **Kerstin Schlegel**, Stephanskirchen (DE); **Johann Ramchen**, Bernau (DE)
(73) Assignee: **Arnold & Richter Cine Technik & Co. Betriebs KG**, Munich (DE)

D476,441 S * 6/2003 Mier-Langner D26/140
D607,145 S * 12/2009 Yu D26/140
D690,857 S * 10/2013 Blincoe D26/63
D693,507 S * 11/2013 Fletcher D26/63
D693,508 S * 11/2013 Fletcher D26/63
D700,726 S * 3/2014 Kim D26/63
D702,387 S * 4/2014 Pedersen D26/63
D711,030 S * 8/2014 Zhan D26/65
D712,581 S * 9/2014 Scarlata D26/65
D720,487 S * 12/2014 Moeller D26/63
D734,886 S * 7/2015 Lazalier D26/63
D736,444 S * 8/2015 Boudewyns D26/63
D736,982 S * 8/2015 Yasuji Fletcher D26/63
D737,493 S * 8/2015 Yasuji Fletcher D26/63
D744,141 S * 11/2015 Bobel D26/63
D744,142 S * 11/2015 Bobel D26/63
D744,143 S * 11/2015 Bobel D26/63

(**) Term: **15 Years**

(21) Appl. No.: **29/540,369**

(22) Filed: **Sep. 23, 2015**

(30) **Foreign Application Priority Data**

Mar. 24, 2015 (DE) 40 2015 100 288-0001

(51) **LOC (11) Cl.** **26-05**

(52) **U.S. Cl.**
USPC **D26/141**

(58) **Field of Classification Search**
USPC D26/2, 28, 72, 89, 113, 118, 119, 120,
D26/122, 124, 128, 138, 142, 143, 145,
D26/60-66; D13/180

CPC F41C 27/00; F41C 33/0254; G02B 5/045;
G02B 5/189; F21S 8/00; F21S 8/03;
F21S 8/026; F21S 8/02; F21S 8/003;
F21S 8/043; F21S 8/06; F21S 8/04; F21V
7/005; F21V 15/01; F21V 15/04; F21V
25/00; G02F 2001/133607; F21Y 2103/00
See application file for complete search history.

(56) **References Cited**

U.S. PATENT DOCUMENTS

D225,768 S * 1/1973 Hernandez D26/63
D339,649 S * 9/1993 Klossner D26/63

(Continued)

Primary Examiner — Michelle E. Wilson

Assistant Examiner — Sanjeev Paul

(74) *Attorney, Agent, or Firm* — Lewis Roca Rothgerber
Christie LLP

(57) **CLAIM**

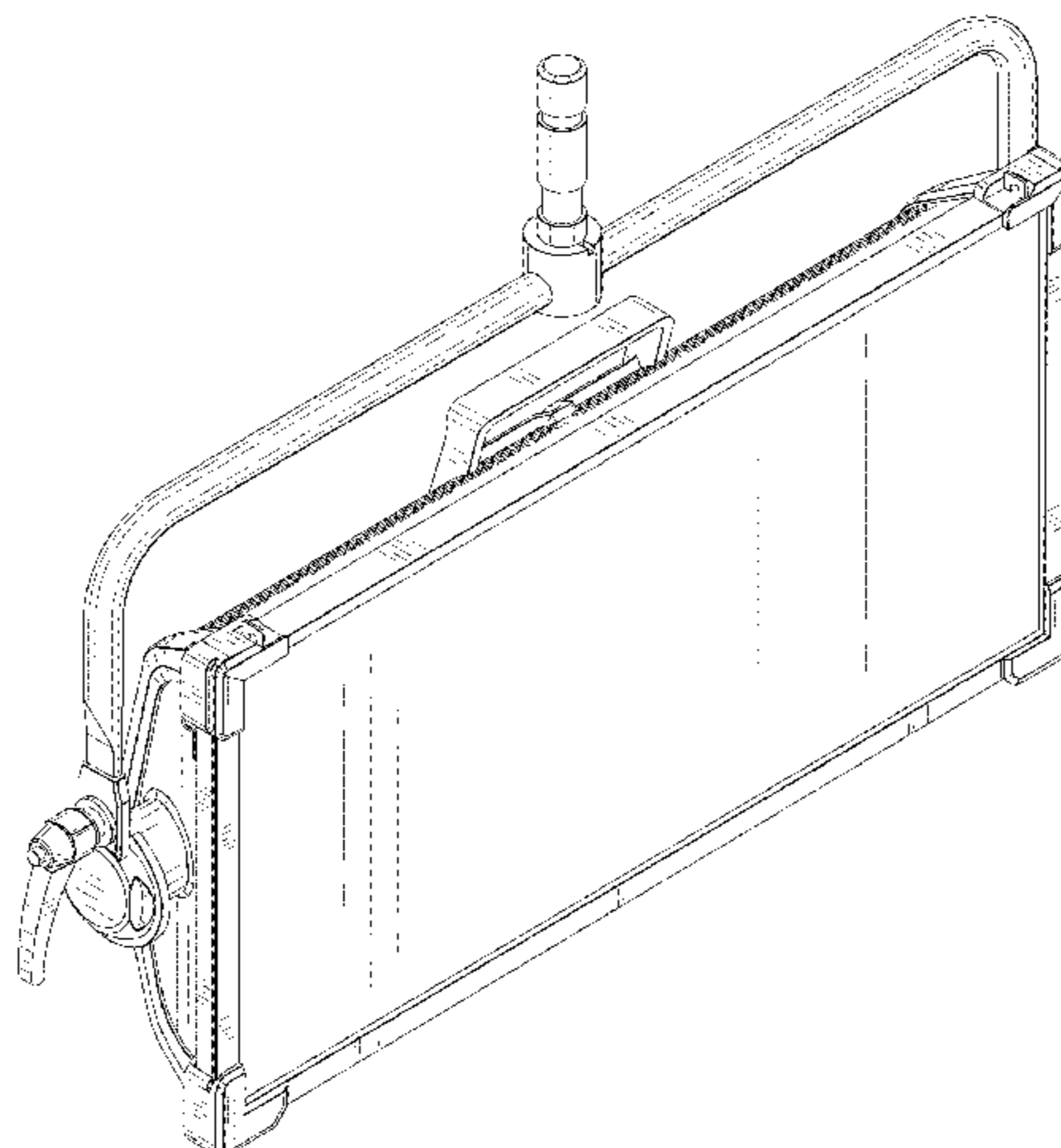
The ornamental design for a spotlight, as shown and described.

DESCRIPTION

FIG. 1 is a front right perspective view of the spotlight;
FIG. 2 is a front view thereof;
FIG. 3 is a left side view thereof;
FIG. 4 is a rear view thereof;
FIG. 5 is a right side view thereof;
FIG. 6 is a top view thereof; and,
FIG. 7 is a bottom view thereof.

The broken lines shown in the drawings are for the purpose of illustrating unclaimed portions of the spotlight, and form no part of the claim.

1 Claim, 7 Drawing Sheets



(56)

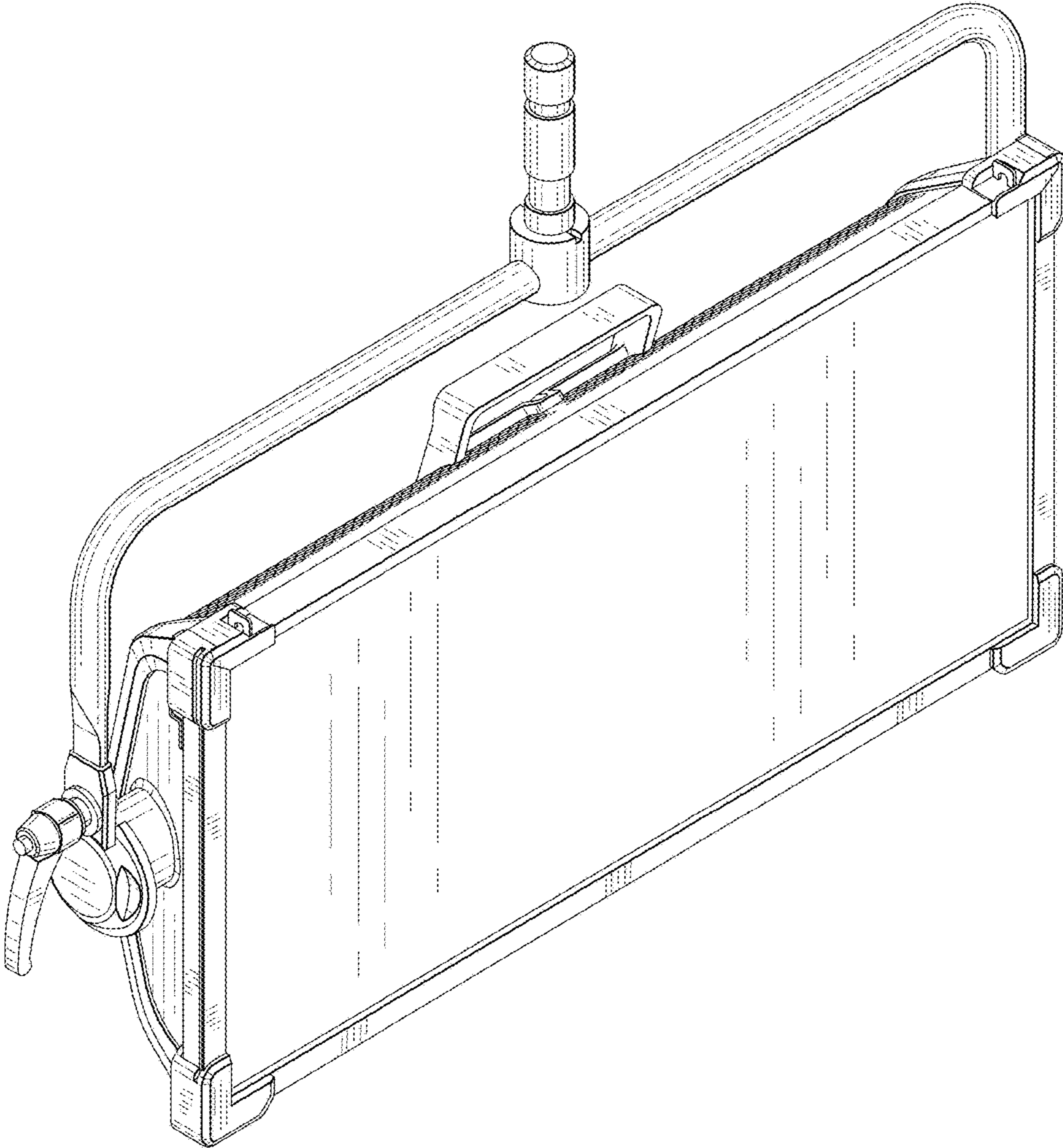
References Cited

U.S. PATENT DOCUMENTS

D747,526 S *	1/2016	Zhang	D26/63
D751,745 S *	3/2016	Wang	D26/63
D754,383 S *	4/2016	Kovacik	D26/63
D761,471 S *	7/2016	Hoffmann	D26/63
D761,472 S *	7/2016	Zhu	D26/63
D761,473 S *	7/2016	Zhang	D26/63
D767,191 S *	9/2016	DeMaio	D26/63

* cited by examiner

FIG. 1



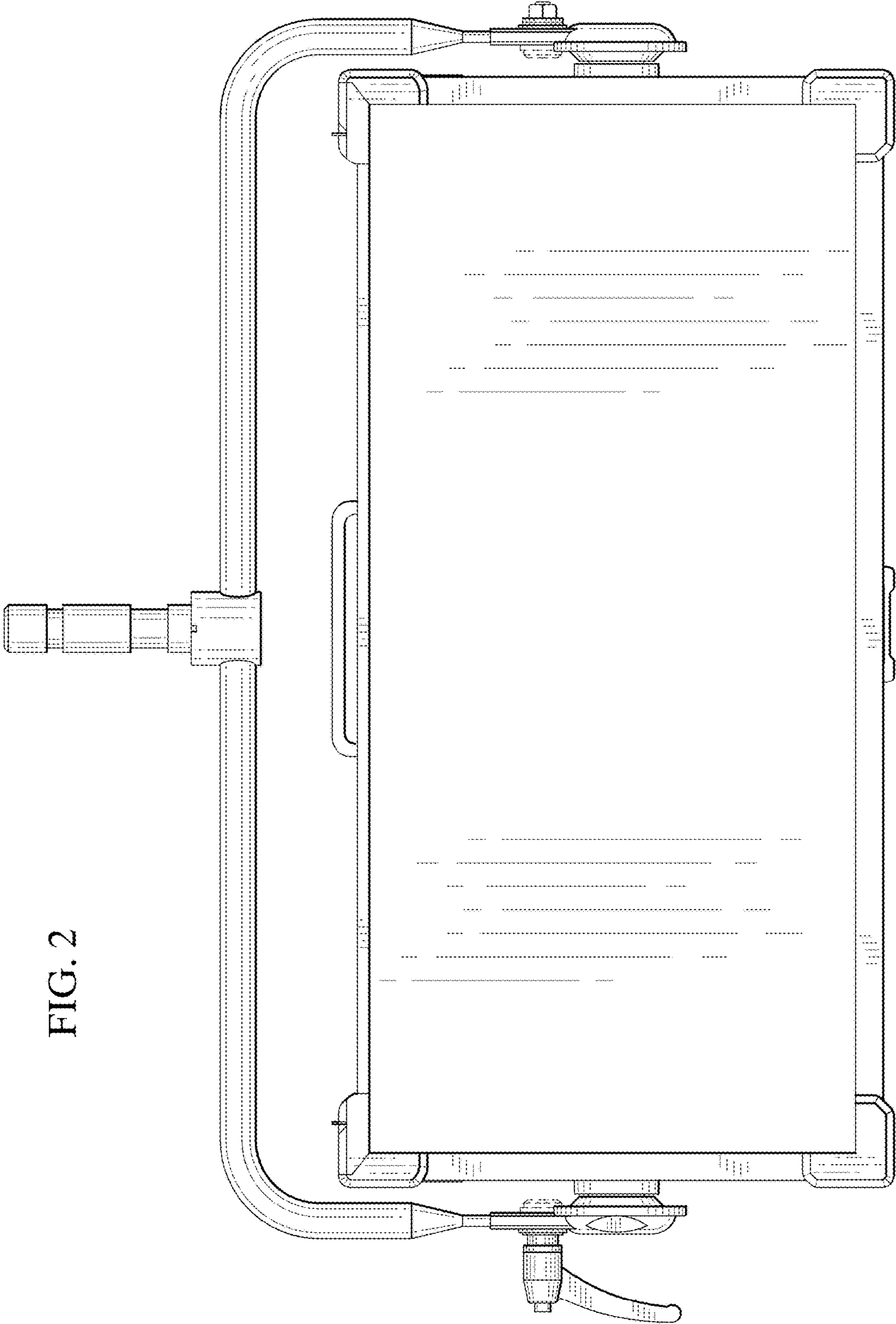


FIG. 2

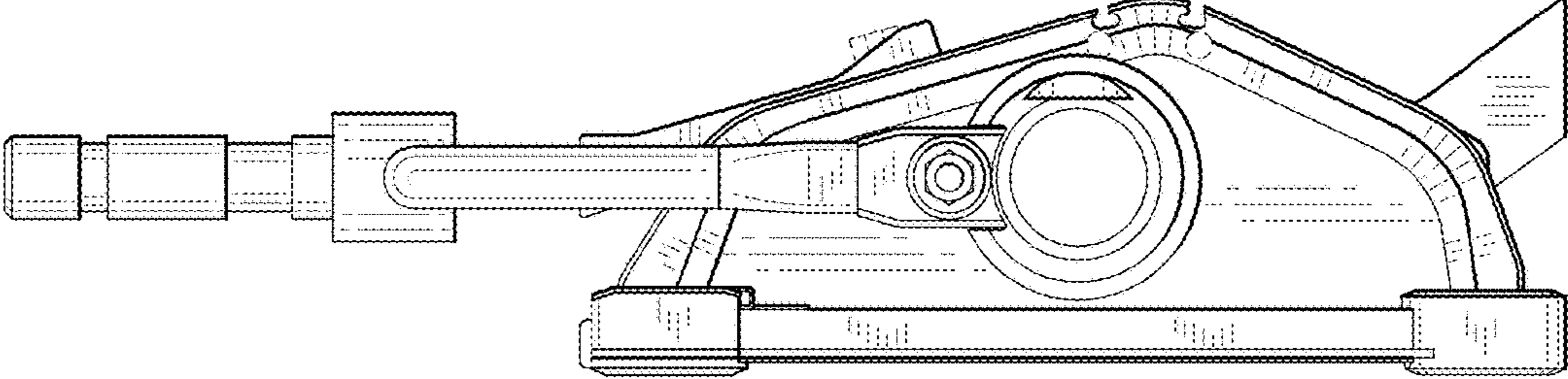


FIG. 3

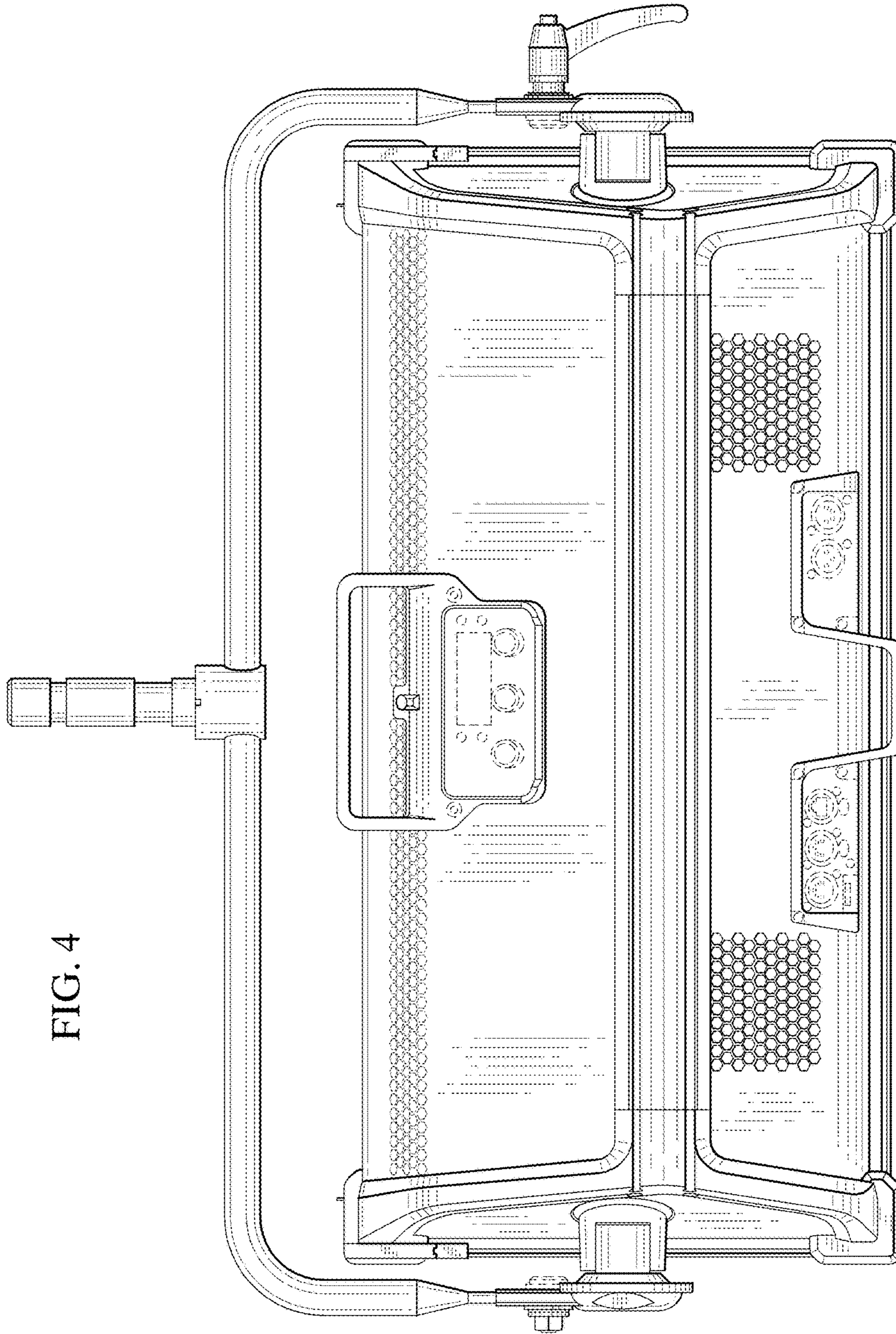


FIG. 4

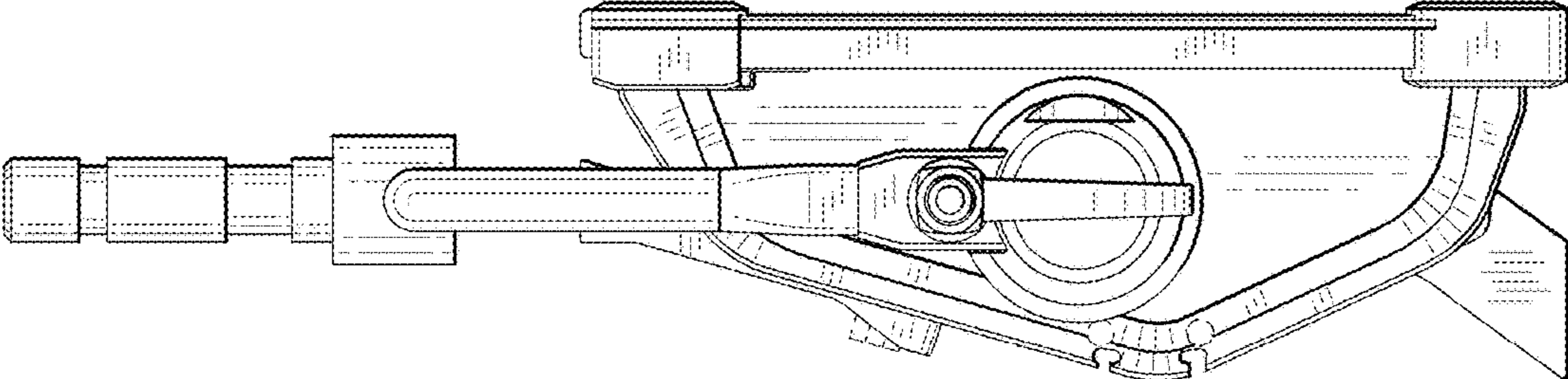


FIG. 5

FIG. 6

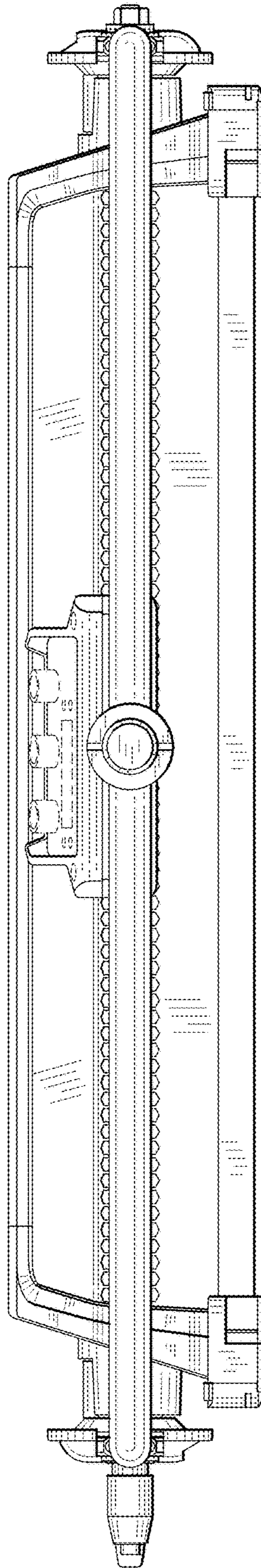


FIG. 7

