

US00D828619S

(12) **United States Design Patent** (10) **Patent No.:** **US D828,619 S**
Khubani et al. (45) **Date of Patent:** **** *Sep. 11, 2018**

(54) **LIGHT PROJECTOR**

(56) **References Cited**

U.S. PATENT DOCUMENTS

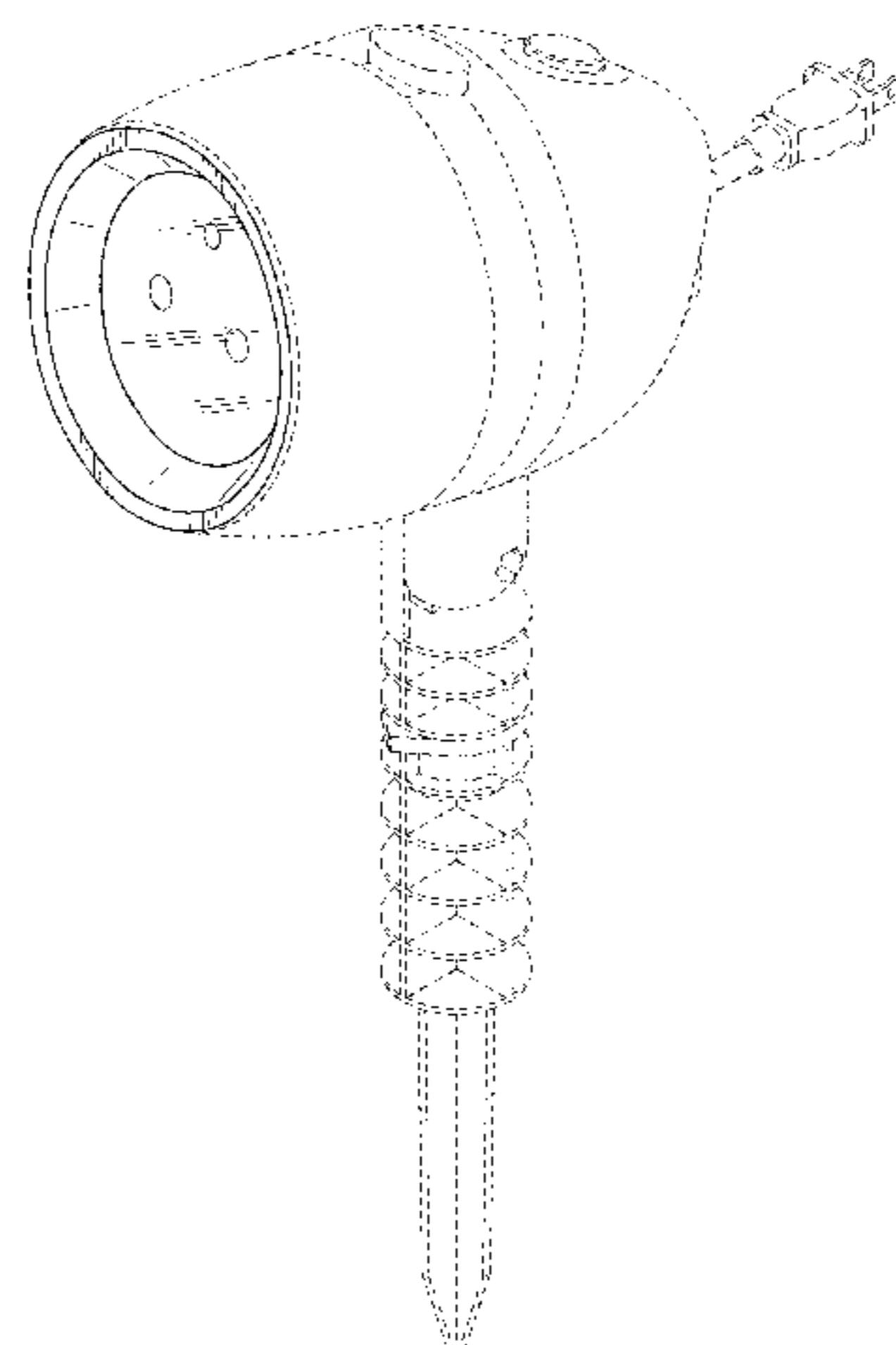
- (71) Applicant: **Telebrands Corp.**, Fairfield, NJ (US)
- (72) Inventors: **Ajit Khubani**, Saddle River, NJ (US);
Yun Pan, Shenzen (CN)
- (73) Assignee: **Telebrands Corp.**, Fairfield, NJ (US)
- (*) Notice: This patent is subject to a terminal disclaimer.
- (**) Term: **15 Years**
- (21) Appl. No.: **29/559,106**
- (22) Filed: **Mar. 24, 2016**

1,196,951	A	*	9/1916	Hawthorne	F21V 11/00 362/359
D56,256	S	*	9/1920	Ryder	D26/139
D56,257	S	*	9/1920	Ryder	D26/139
D56,258	S	*	9/1920	Ryder	D26/139
D58,676	S	*	8/1921	Macneale	D26/139
D70,236	S	*	5/1926	Meden	D26/70
D173,139	S		10/1954	Black	
3,104,064	A		9/1963	Bellek	
3,442,572	A		5/1969	Illsley	
D231,559	S		4/1974	Darling	
3,822,930	A		7/1974	Douklias	
D233,778	S		11/1974	Kennedy	
D233,779	S		11/1974	Kennedy	
D234,710	S		4/1975	Beeren	
3,944,761	A		3/1976	Nicholl	
4,114,112	A		9/1978	Epstein	
D254,154	S		2/1980	Young	
4,217,040	A		8/1980	Longerbeam	
4,307,528	A		12/1981	Deweese	
4,458,124	A		7/1984	Kroth	
D278,215	S		4/1985	Patterson	
4,557,055	A		12/1985	Arai	
D282,104	S		1/1986	Taylor	
D286,682	S	*	11/1986	Greenlee	D26/131
4,779,176	A		10/1988	Bornhorst	
4,814,961	A		3/1989	O'Brien	
5,036,447	A		7/1991	Taylor	
D323,406	S		1/1992	Fisher	
5,086,379	A		2/1992	Denison	
5,090,789	A		2/1992	Crabtree	
D326,162	S	*	5/1992	Price	D26/63
D328,147	S		7/1992	Gecchelin	
D333,526	S		2/1993	Taylor	
D333,529	S		2/1993	Denison	
5,226,104	A		7/1993	Unterleitner	
D340,305	S		10/1993	Hall	
5,280,417	A		1/1994	Hall	
5,367,349	A		11/1994	Zeiler	
5,398,180	A		3/1995	Lee	
D361,149	S	*	8/1995	Wedell	D26/63
5,459,539	A		10/1995	Yamamoto	
D365,169	S		12/1995	Fillipp	
D370,070	S		5/1996	Kay	
5,517,264	A		5/1996	Sutton	

Related U.S. Application Data

- (63) Continuation of application No. 29/555,447, filed on Feb. 22, 2016, now Pat. No. Des. 778,478, which is a continuation-in-part of application No. 29/526,591, filed on May 11, 2015, now Pat. No. Des. 766,483, and a continuation-in-part of application No. 29/544,568, filed on Nov. 4, 2015, now Pat. No. Des. 766,484.

- (51) **LOC (11) Cl.** **26-99**
- (52) **U.S. Cl.**
USPC **D26/139**
- (58) **Field of Classification Search**
USPC D26/63, 67-70, 118, 120, 139;
D10/106.6, 106.8; D16/101, 134
CPC F21S 8/08; F21S 8/081; F21S 8/083; F21S
8/088; F21S 9/03; F21S 9/032; F21S
9/035; F21S 9/037; F21S 6/003; F21S
6/004; F21S 6/005; F21W 2131/109;
F21W 2111/023; F21V 21/0824; F21V
9/14; F21L 15/04
See application file for complete search history.



US D828,619 S

5,613,799 A	3/1997	Guide		D647,657 S *	10/2011	Janssen	D26/63
5,626,418 A	5/1997	Angelis		D649,671 S	11/2011	Ferro	
5,649,760 A	7/1997	Beadle		8,057,045 B2	11/2011	Johnson	
D383,236 S	9/1997	Krogman		D651,335 S	12/2011	Chen	
D389,935 S	1/1998	Pink		8,100,537 B2	1/2012	Johnson	
5,709,462 A	1/1998	Rumpel		8,100,538 B2	1/2012	Kuroda	
D397,490 S *	8/1998	Lecluze	D26/118	D654,207 S *	2/2012	Fletcher	D26/63
5,824,981 A	10/1998	Suzuki		D654,214 S *	2/2012	Huang	D26/139
5,831,397 A	11/1998	Stevens		D654,605 S	2/2012	Chen	
5,882,107 A	3/1999	Bornhorst		D654,606 S	2/2012	Chen	
5,893,626 A *	4/1999	Poling	F21S 10/02 362/231	D659,871 S *	5/2012	Lee	D26/63
D410,295 S *	5/1999	Lueken	D26/63	8,251,521 B2	8/2012	Mizushima et al.	
D413,996 S	9/1999	Andrus		D667,981 S	9/2012	Connolly	
D414,579 S *	9/1999	Denison	D26/63	D667,989 S *	9/2012	May	D26/139
5,971,545 A	10/1999	Haitz		8,272,765 B2	9/2012	Ter-Hovhannisyan	
6,000,813 A	12/1999	Krietzman		8,297,825 B2	10/2012	Onishi	
D427,696 S *	7/2000	Scott	D26/24	8,303,129 B1	11/2012	Thielen	
6,145,228 A	11/2000	LaChance		8,303,150 B2	11/2012	Chien	
6,152,577 A	11/2000	Rizkin		8,366,281 B2	2/2013	Silverstein et al.	
D437,071 S *	1/2001	Andrus	D26/63	8,366,292 B2	2/2013	McDermott	
D437,652 S	2/2001	Uhler		8,376,574 B2	2/2013	Spartano	
D438,322 S *	2/2001	Skradski	D26/68	8,436,553 B2	5/2013	Zampini	
6,190,025 B1	2/2001	Solinsky		8,480,233 B2	7/2013	Smith	
D438,999 S	3/2001	Bossy		8,485,686 B2	7/2013	Swan	
6,304,237 B1	10/2001	Karakawa		8,511,877 B2	8/2013	Chien	
6,474,837 B1	11/2002	Belliveau		8,693,513 B2	4/2014	Achtenhagen	
6,478,453 B2	11/2002	Lammers		8,721,160 B2	5/2014	Chien	
6,548,967 B1	4/2003	Dowling		8,834,009 B2	9/2014	Chien	
6,553,175 B2	4/2003	Jaspan		8,901,827 B1	12/2014	Xu	
6,594,090 B2	7/2003	Kruschwitz et al.		D723,726 S	3/2015	Reed	
D482,476 S	11/2003	Kwong		D738,023 S	9/2015	Rosello Gratacos	
6,644,839 B2	11/2003	Lee		9,157,586 B1 *	10/2015	Babcock, IV	F21V 9/083
6,655,817 B2	12/2003	Devlin		9,157,589 B2	10/2015	Chien	
6,695,452 B2	2/2004	Panasewicz		9,200,790 B2	12/2015	Lien et al.	
6,722,771 B1	4/2004	Stephens		D747,525 S *	1/2016	Guercio	D26/63
6,802,630 B2	10/2004	Doppelt		D748,838 S *	2/2016	Brynjolfsson	D26/63
6,874,893 B2	4/2005	Park		9,395,608 B2	7/2016	Zhang	
D506,282 S	6/2005	Benghozi		D764,694 S	8/2016	Tsai	
D506,283 S	6/2005	Benghozi		D766,483 S *	9/2016	Khubani	D26/63
7,040,780 B2	5/2006	Diehl		D766,484 S *	9/2016	Khubani	D26/63
7,137,721 B1	11/2006	Rao		D777,965 S	1/2017	Mirchandani	
7,175,321 B1	2/2007	Lopez		D779,098 S	2/2017	Tsai	
D538,959 S *	3/2007	Kosche	D26/63	9,719,654 B2	8/2017	Chien	
D541,456 S *	4/2007	Kosche	D26/63	2002/0101571 A1	8/2002	Panazewicz	
D541,966 S	5/2007	Bhengozi		2003/0189825 A1	10/2003	Tauch	
D542,959 S *	5/2007	Yao	D26/63	2004/0042070 A1	3/2004	Yagi	
7,257,551 B2	8/2007	Oskorep		2004/0119951 A1	6/2004	Vitantonio	
D550,877 S	9/2007	Mullen		2004/0141316 A1	7/2004	Twardawski	
D551,789 S	9/2007	Mullen		2005/0024863 A1	2/2005	Phipps	
7,369,584 B2	5/2008	Goldman		2005/0103378 A1	5/2005	Pu	
7,380,956 B2	6/2008	Richmond		2005/0243560 A1	11/2005	Chen	
D574,104 S *	7/2008	Sanoner	D26/67	2006/0114682 A1	6/2006	Schuster	
D574,532 S *	8/2008	Lee	D26/63	2006/0158138 A1	7/2006	Walter	
7,418,016 B2	8/2008	Gruhlke et al.		2006/0198153 A1	9/2006	Chien	
D577,453 S *	9/2008	Metlen	D26/63	2007/0064290 A1	3/2007	Hochenbleicher	
D589,191 S *	3/2009	Sabernig	D26/63	2008/0224849 A1	9/2008	Sirhan	
7,534,975 B1	5/2009	Sharrah		2008/0316732 A1	12/2008	Blake	
7,547,111 B2	6/2009	Richmond et al.		2009/0027900 A1	1/2009	Janos	
D604,880 S *	11/2009	Lovegrove	D26/63	2009/0033814 A1	2/2009	Khan	
D604,882 S	11/2009	Mier-Langner		2009/0067191 A1	3/2009	Faber	
RE41,050 E	12/2009	Panasewicz		2009/0122564 A1	5/2009	Beadle	
D605,325 S	12/2009	Sanoner		2009/0153807 A1	6/2009	Jackson	
7,641,345 B2	1/2010	Johnson		2009/0168026 A1	7/2009	Chen	
D615,688 S *	5/2010	Chen	D26/63	2009/0268121 A1	10/2009	Hisada	
D616,586 S	5/2010	Sabernig		2010/0053969 A1	3/2010	Weinheimer	
D619,289 S	7/2010	You		2010/0181108 A1	7/2010	Hata	
D619,290 S	7/2010	You		2010/0046211 A1	12/2010	Spartano	
7,771,087 B2	8/2010	Wilcox		2011/0051097 A1	3/2011	Lin	
D625,871 S *	10/2010	Huang	D26/63	2012/0069547 A1	3/2012	Gielen	
D628,329 S	11/2010	Tuli		2012/0176782 A1	7/2012	Vanderschuit	
7,832,918 B2	11/2010	Chien		2012/0188754 A1	7/2012	Fitzwater	
D632,414 S *	2/2011	Croce	D26/63	2014/0036487 A1	8/2012	Adams	
D638,159 S	5/2011	Yao		2012/0257418 A1	10/2012	Fields et al.	
7,993,040 B2	8/2011	Beadle		2012/0324772 A1 *	12/2012	Gingerella	F21V 29/004 40/559
8,003,886 B1	8/2011	Rintz		2013/0088152 A1	4/2013	Hagen	
8,013,719 B2	9/2011	Haase		2013/0088723 A1	4/2013	Feldkhun	
D646,821 S *	10/2011	Wauters	D26/63	2013/0257297 A1	10/2013	Schmidt	
D647,234 S	10/2011	Izardel		2014/0335910 A1	3/2014	Wang	

2014/0268703	A1	9/2014	Ehlert
2014/0313779	A1	10/2014	Higgins et al.
2014/0328060	A1	11/2014	Gadegaard
2015/0015716	A1	1/2015	Reed
2015/0035437	A1	2/2015	Panopoulos
2015/0070897	A1	3/2015	Chien
2015/0159842	A1	6/2015	Zhang
2015/0308655	A1	10/2015	Holmes
2016/0073458	A1	3/2016	Takahashi
2016/0238221	A1*	8/2016	Lentine F21V 21/0824
2016/0273716	A1	9/2016	Tarsa et al.
2016/0313089	A1	10/2016	Collin
2016/0330825	A1	11/2016	Recker
2016/0369996	A1	12/2016	Qin
2016/0377248	A1	12/2016	Jagt et al.
2017/0045212	A1	2/2017	Ghasabi
2017/0080991	A1	3/2017	White

FOREIGN PATENT DOCUMENTS

CN	2743676	11/2005
CN	201173996	12/2008
CN	201407589 Y	2/2010
CN	202091917	12/2011
CN	101276523 A	8/2012
CN	102620220	8/2012
CN	102809110	12/2012
CN	202140959	12/2012
CN	202691883	1/2013
CN	202972915	6/2013
CN	203273720	11/2013
CN	203453930	2/2014
CN	204083891	1/2015
CN	204141534	2/2015
CN	204176560	2/2015
CN	204240200	4/2015
CN	204268353	4/2015
CN	303234579 S	6/2015
CN	104812342	7/2015
CN	204621354	9/2015
CN	204629169 U	9/2015
CN	105068243	11/2015
CN	205155727	4/2016
CN	303657559	4/2016
DE	2740191	3/1979
DE	202006003915	5/2006
DE	20 2007 009 156 U1	1/2008
DE	202006009535	8/2008
EP	1 024 399	2/2000
GB	2435090	8/2007
JP	H07227342	8/1995
KR	20120023293	3/2013
WO	WO 2006/074205	7/2006
WO	WO 2010022367	2/2010
WO	WO 2012002833	1/2012
WO	WO 2015/094009	6/2015
WO	WO 2015/138480	9/2015
WO	WO 2015/143450	9/2015
WO	WO 2015/149877	10/2015

OTHER PUBLICATIONS

SeresRoad Outdoor Waterproof Star Projector, Landscape Projector, available at www.amazon.com, accessed on Nov. 13, 2015.

Us-vision AGO-20RG Modern Outdoor/ Indoor 20 Patterns Gobos Rg Laser Projector, available at www.amazon.com, accessed Nov. 13, 2015.

Sminiker Outdoor Laser Light Sparkle Magic Lights Landscape Light Holiday Light, available at www.amazon.com, accessed Nov. 13, 2015.

Us-vision Outdoor Holiday Waterproof Green Laser Lighting Show, available at www.amazon.com, accessed Nov. 13, 2015.

Improvements All-metal 4-in-1 Projection Light with Remote, available at www.amazon.com, accessed Nov. 13, 2015.

Klaren Color Laser Light Projector—Improvements, available at www.amazon.com, accessed Nov. 13, 2015.

Light Flurries, available at www.lightflurries.com, accessed Mar. 17, 2016.

Outdoor Indoor Spright Smart Firefly Light with Timer Green, available at www.amazon.com, accessed May 2, 2016.

Blisslights Spright Spring Smart Outdoor Indoor Firefly Light Projector with Timer, available at www.amazon.com, accessed May 2, 2016.

Peatross, Physics of Light and Optics, Mar. 22, 2017, pp. 288-295, 303.

Examination Report of Application No. 2016101293 by IP Australia, dated Oct. 20, 2016.

Laser Christmas Lights & Outdoor Laser Lights, published Oct. 6, 2015, available at <http://web.archive.org/web/20151006140058/http://www.laserchristmaslights.com>.

Examination Report of Application No. 2016101295 by IP Australia, dated Oct. 20, 2016.

Laser Projector Yard Stake Sell Sheet by YFC-BonEagle, Copyright 2011.

Consumer Electronics Show Flyer by Prime, Jan. 2014.

Laser Light Prime, <https://www.youtube.com/watch?v=ygPEISRdaRo>, accessed May 25, 2017, published Nov. 29, 2014.

Extended European Search Report of Application No. 16197895 by European Patent Office, dated Apr. 28, 2017.

Request for Ex Parte Reexamination of U.S. Pat. No. 9,546,775, submitted Jul. 13, 2017.

Declaration of Stephen D. Fantone dated Jul. 3, 2017, submitted in support of response to Order to Show Cause (Civil Action No. 2:17-cv-02878).

Everstar Merchandising Product No. 88-506.

Everstar Merchandising Product No. 68-005 (US) / 88-653 (CAN).

Office Action of Application No. 2,937,150 by Canadian Intellectual Property Office, dated Jun. 30, 2017.

Examination Report of Application No. 2017100480 by IP Australia, dated Jun. 8, 2017.

Office Action of Application No. 2,965,063 by Canadian Intellectual Property Office, dated Jun. 16, 2017.

Laser Light, available at www.amazon.com, accessed on Nov. 13, 2015.

Night Stars, available at www.amazon.com, accessed Nov. 13, 2015.

Poeland Garden Laser Landscape, available at www.amazon.com, accessed Nov. 13, 2015.

Remote Controllable RGB Laser, available at www.amazon.com, accessed Nov. 13, 2015.

Newest Garden Tree and Outdoor Wall Decoration Laser, available at www.amazon.com, accessed Nov. 13, 2015.

Pepnice Red and Green Firefly Laser Light, available at www.amazon.com, accessed Nov. 13, 2015.

Klaren Color Laser Light Projector, available at www.amazon.com, accessed Nov. 13, 2015.

Garden Tree and Outdoor Wall Decoration Laser Lights for Holiday Lighting, available at www.amazon.com, accessed Nov. 13, 2015.

Green and Red Light Garden Tree and Outdoor Wall Decoration Laser Lights, available at www.amazon.com, accessed Nov. 13, 2015.

Moving Red and Green 2 Color Laser Landscape Projector Light w/ Remote, available at www.amazon.com, accessed Nov. 13, 2015.

Extended European Search Report of Application No. 16197893 by European Patent Office, dated Feb. 24, 2017.

Extended European Search Report of Application No. 16197896 by European Patent Office, dated Mar. 13, 2017.

International Search Report PCT/US2016/021354, dated Jun. 30, 2016.

Written Opinion of International Search Authority PCT/US2016/021354, dated Jun. 30, 2016.

Mr. Christmas Super Green Laser Light Show, available at www.amazon.com, accessed May 2, 2016.

BlissLights Motion Laser, available at www.amazon.com, accessed May 2, 2016.

Color Laser Lights Instructions, published 2014.

BlissLights Spright Smart User Guide, published 2014.

International Search Report PCT/US2016/021347, published May 17, 2016.

Written Opinion of International Search Authority PCT/US2016/021347, dated May 17, 2016.

International Search Report PCT/US2016/021338, dated May 16, 2016.

Written Opinion of International Search Authority PCT/US2016/021338, dated May 16, 2016.

Examination Report of Application No. 2016101293 by IP Australia, dated Feb. 17, 2017.

Extended European Search Report of Application No. 16197894.5-1568 by European Patent Office, dated Feb. 17, 2017.

Office Action of Application No. 2,937,150 by Canadian Intellectual Property Office, dated Jan. 26, 2017.

Petition For Post Grant Review of U.S. Pat. No. 9,546,775, dated Oct. 16, 2017.

Slate, "Know Your Fireworks," published Jul. 1, 2011 (Exhibit 1006 to the Petition for Post Grant Review of U.S. Pat. No. 9,546,775, filed on Oct. 16, 2017).

Webster's Dictionary, 2014, p. 1527, published by Houghton Mifflin Publishing Co. (Exhibit 1007 to the Petition for Post Grant Review of U.S. Pat. No. 9,546,775, filed on Oct. 16, 2017).

Chauvet, EZMiN User Manual, 2013 (Exhibit 1010 to the Petition for Post Grant Review of U.S. Pat. No. 9,546,775, filed on Oct. 16, 2017).

Thor Labs Drawing for Item No. NDC-100C-2M, drawn on Jun. 22, 2012 (Exhibit 1019 to the Petition for Post Grant Review of U.S. Pat. No. 9,546,775, filed on Oct. 16, 2017).

Evaluation Report of Utility Model Patent CN 2016208941741, dated Aug. 3, 2017.

Order Granting Reexamination of U.S. Pat. No. 9,546,775, Aug. 1, 2017.

Blisslights, LLC, BlissLights Spright User's Guide (Exhibit 1032 to the Petition for PGR of U.S. Pat. No. 9,752,761, filed on Nov. 27, 2017).

Screen capture from <http://web.archive.org/> of lissLights Spright User's Guide, archived Jul. 16, 2014 (Exhibit 1033 to the PGR Petition of U.S. Pat. No. 9,752,761, filed Nov. 27, 2017).

Prime Wire & Cable, Inc., Laser Light Projector LFLRG505 User Manual (Exhibit 1013 to the Petition for PGR of U.S. Pat. No. 9,752,761, filed on Nov. 27, 2017).

Prime Wire & Cable, Inc., Model LFLRG505 Purchase Product Specification, Jun. 24, 2014 (Exhibit 1025 to the Petition for PGR of U.S. Pat. No. 9,752,761, filed on Nov. 27, 2017).

Sliney, Laser Safety with Consumer and Office Products, Ch 1, p. 1-11, 1980 (Exhibit 1041 to the Petition for PGR of U.S. Pat. No. 9,752,761, filed on Nov. 27, 2017).

D. Hochmuth, Diffractive Optics Give Laser Pointers a New Twist, Photonics Spec. Aug. 1995 (Exhibit 1049 to the Petition for PGR of U.S. Pat. No. 9,752,761, filed on Nov. 27, 2017).

The Paramount Org., Inc., Laser Spectacular, at www.pinkfloydasershow.com/about, Nov. 7, 2017 (Exhibit 1052 to the PGR Petition of U.S. Pat. No. 9,752,761, filed on Nov. 27, 2017).

Wikipedia, Pink Floyd, https://en.wikipedia.org/wiki/Pink_Floyd_live_performances, Nov. 7, 2017 (Exhibit 1053 to the PGR Petition of U.S. Pat. No. 9,752,761, filed on Nov. 27, 2017).

Blisslights, LLC, Technology, <http://www.blisslight.com:80/technology>, Jun. 27, 2014 (Exhibit 1031 to the Petition for PGR of U.S. Pat. No. 9,752,761, filed on Nov. 27, 2017).

Spright Green, <http://www.blisslight.com:80/store/products/spright-green/1452>, Apr. 1, 2014 (Exh 1030 to the Petition for PGR of U.S. Pat. No. 9,752,761, filed on Nov. 27, 2017).

Bliss Lights Spright User's Guide, published online at <http://www.blisslights.com/data/store/tabs/53a0a19a6c00b.pdf> at least as early as Jun. 27, 2014.

Petition for Post Grant Review of U.S. Pat. No. 9,752,761, filed on Nov. 27, 2017.

Request for Ex Parte Reexamination of U.S. Pat. No. 9,752,761, dated Nov. 6, 2017.

Order Granting Ex Parte Reexamination of U.S. Pat. No. 9,752,761, dated Aug. 1, 2017.

Color Laser Light Instructions, U.S. Appl. No. 62/025,344 (filed Jul 16, 2014) (Exhibit 1003 to the Petition for Post Grant Review of U.S. Pat. No. 9,752,761, filed on Nov. 27, 2017).

Sliney, Safety with Lasers and Other Optical Sources, Ch. 20, p. 625-654, 1980 (Exhibit 1042 to the Petition for PGR of U.S. Pat. No. 9,752,761, filed on Nov. 27, 2017).

Blisslights, LLC, BlissLights SPRIGHTsmart User's Guide (Exhibit 1036 to the Petition for PGR of U.S. Pat. No. 9,752,761, filed on Nov. 27, 2017).

Prime Wire & Cable, Inc., Packaging Specification: LFLRG505, dated Jan. 29, 2014 (Exhibit 1015 to the Petition for PGR of U.S. Pat. No. 9,752,761, filed on Nov. 27, 2017).

Food & Drug Administration, Compliance Guide for Laser Products, Jun. 1992 (Exhibit 1040 to the Petition for PGR of U.S. Pat. No. 9,752,761, filed on Nov. 27, 2017).

Photographs of Prime Laser Product, Model LFLRG505 (Exhibit 1011 to the Petition for Post Grant Review of U.S. Pat. No. 9,752,761, filed on Nov. 27, 2017).

Food & Drug Administration, Radiation-Emitting Products, Feb. 21, 2014 (Exhibit 1037 to the Petition for PGR of U.S. Pat. No. 9,752,761, filed on Nov. 27, 2017).

Herzig, Diffractive Components: Holographic Optical Elements, pp. 43-44, copyrighted 1993 (Exhibit 1051 to the Petition for PGR of U.S. Pat. No. 9,752,761, filed on Nov. 27, 2017).

Barat, Laser Safety Management, Chapter 1, pp. 1-13, copyrighted 2006 (Exhibit 1043 to the Petition for PGR of U.S. Pat. No. 9,752,761, filed on Nov. 27, 2017).

Barat, Laser Safety Management, Chapter 4, pp. 45-56, copyrighted 2006 (Exhibit 1044 to the Petition for PGR of U.S. Pat. No. 9,752,761, filed on Nov. 27, 2017).

Barat, Laser Safety Management, Chapter 11, pp. 159-187, copyrighted 2006 (Exhibit 1045 to the Petition for PGR of U.S. Pat. No. 9,752,761, filed on Nov. 27, 2017).

Barat, Laser Safety Management, Chapter 15, pp. 233-239, copyrighted 2006 (Exhibit 1046 to the Petition for PGR of U.S. Pat. No. 9,752,761, filed on Nov. 27, 2017).

Barat, Laser Safety Management, Glossary, pp. 241-252, copyrighted 2006 (Exhibit 1047 to the Petition for PGR of U.S. Pat. No. 9,752,761, filed on Nov. 27, 2017).

Henderson, Laser Safety, pp. 366-369, copyrighted 2004 (Exhibit 1048 to the Petition for PGR of U.S. Pat. No. 9,752,761, filed on Nov. 27, 2017).

Prime Wire & Cable, Inc., Script of Commercial, Mar. 12, 2014 (Exhibit 1018 to the Petition for PGR of U.S. Pat. No. 9,752,761, filed on Nov. 27, 2017).

Prime Wire & Cable, Inc., Screen Captures of "Laser Lighth Prime" Commercial, Mar. 12, 2014 (Exhibit 1017 to the Petition for PGR of U.S. Pat. No. 9,752,761, filed on Nov. 27, 2017).

Request for Ex Parte Reexamination of U.S. Pat. No. 9,869,459, dated Jan. 16, 2018.

International Search Report and Written Opinion of International Search Authority PCT/US17/053457, dated Jan. 9, 2018.

Written Opinion of International Search Authority PCT/US18/18741, dated Mar. 19, 2018.

International Search Report PCT/US18/18741, dated Mar. 19, 2018.

European Patent Office Examination Report of Application No. 16197893.7, dated Feb. 23, 2018.

European Patent Office Examination Report of Application No. 19197895.2, dated Feb. 26, 2018.

Written Opinion of International Search Authority PCT/US2018/018746, dated May 4, 2018.

International Search Report PCT/US2018/018746, dated May 4, 2018.

* cited by examiner

Primary Examiner — Clare E Heflin
(74) *Attorney, Agent, or Firm* — Cooper & Dunham, LLP
(57)

CLAIM

The ornamental design for a light projector, as shown and described.

DESCRIPTION

FIG. 1 is a top perspective view of a light projector in accordance with the present design;

FIG. 2 is a bottom perspective view thereof;
FIG. 3 is a front view thereof;
FIG. 4 is a right side view thereof;
FIG. 5 is a left side view thereof;
FIG. 6 is a top view thereof; and,
FIG. 7 is a bottom view thereof.
The broken lines are for illustrative purposes only and form
no part of the claimed design.

1 Claim, 7 Drawing Sheets

FIG. 1

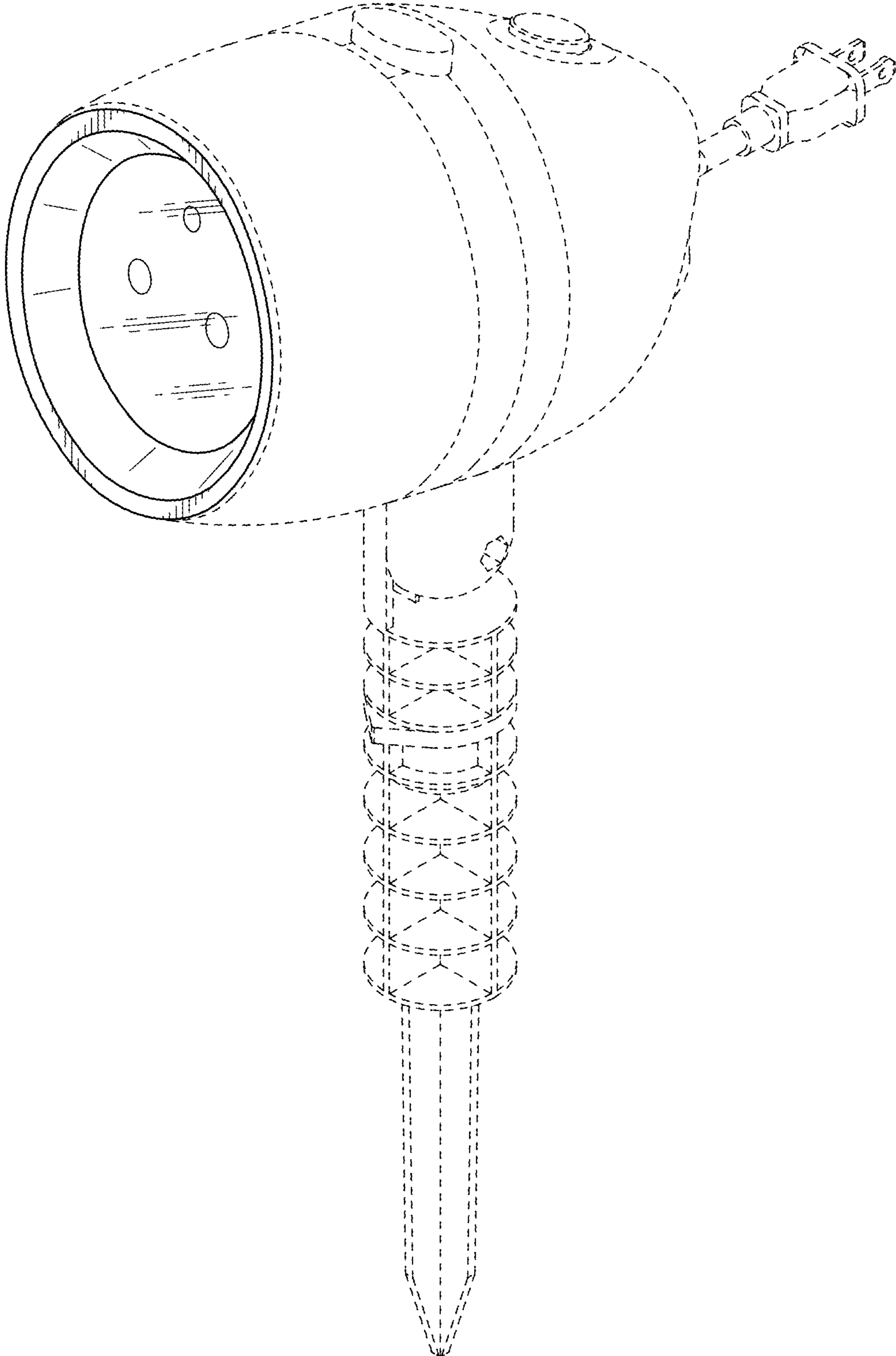


FIG. 2

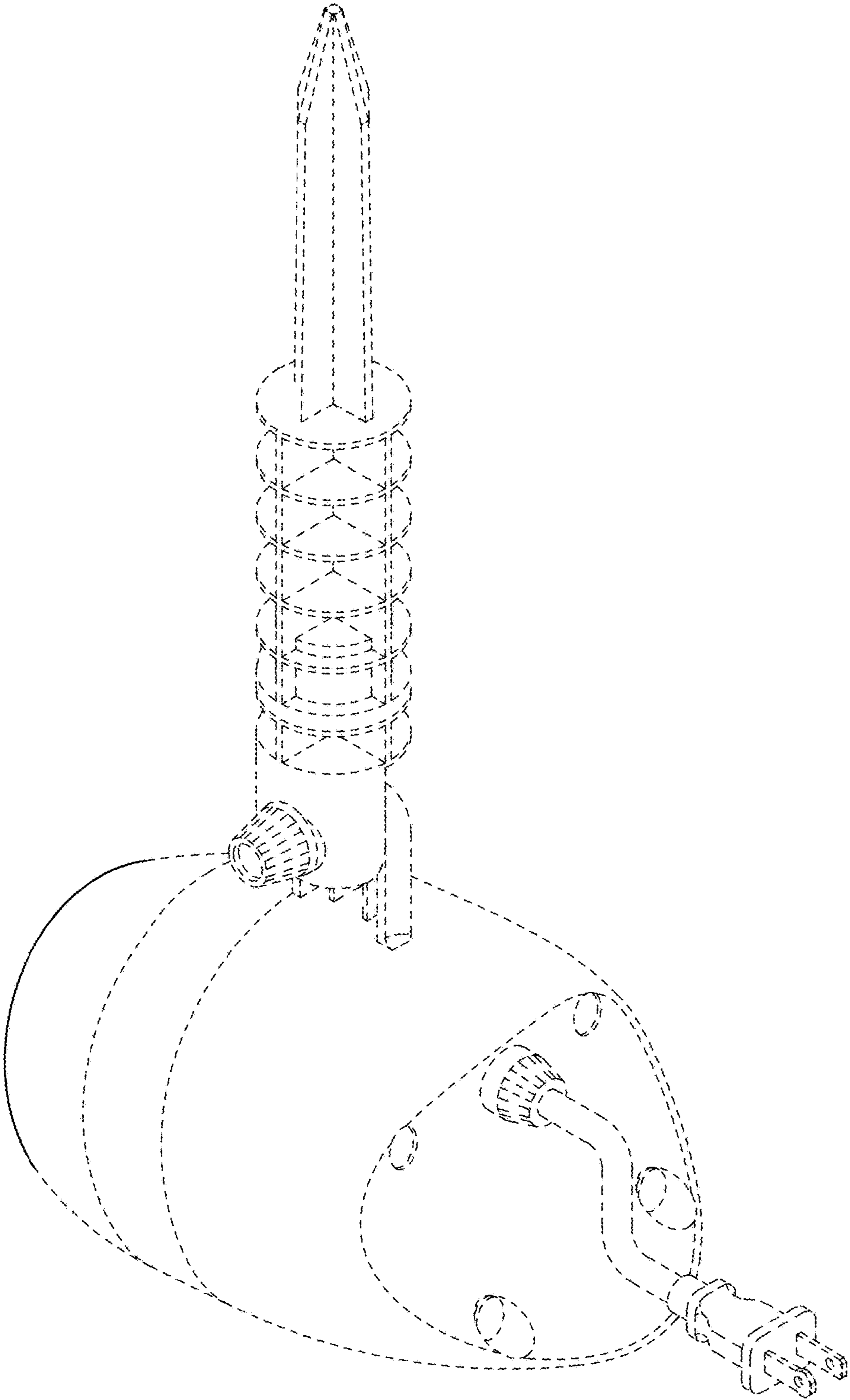


FIG. 3

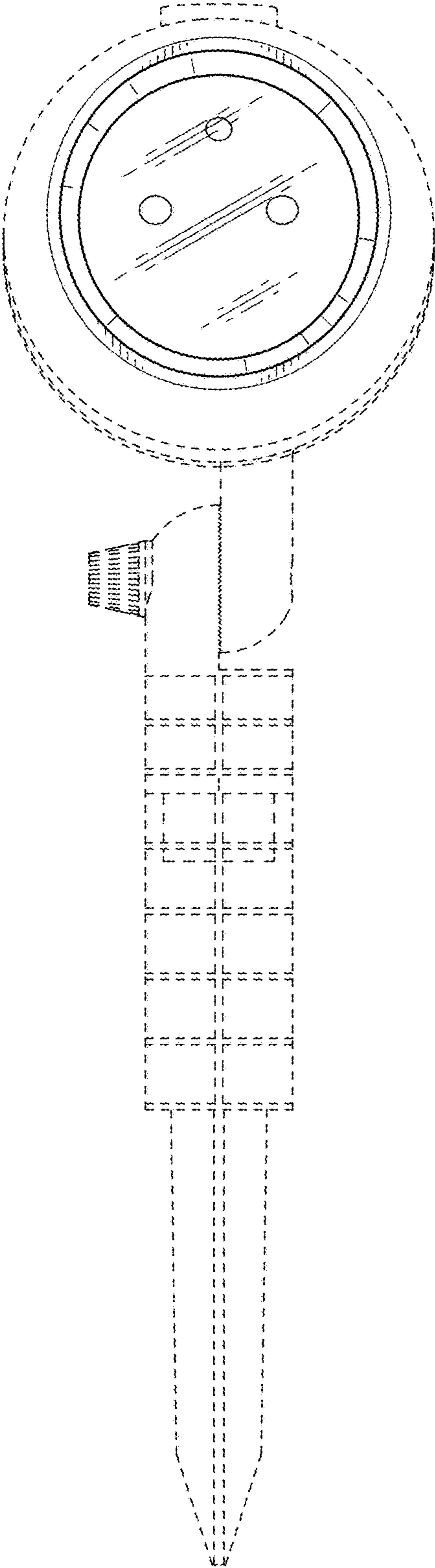


FIG. 5

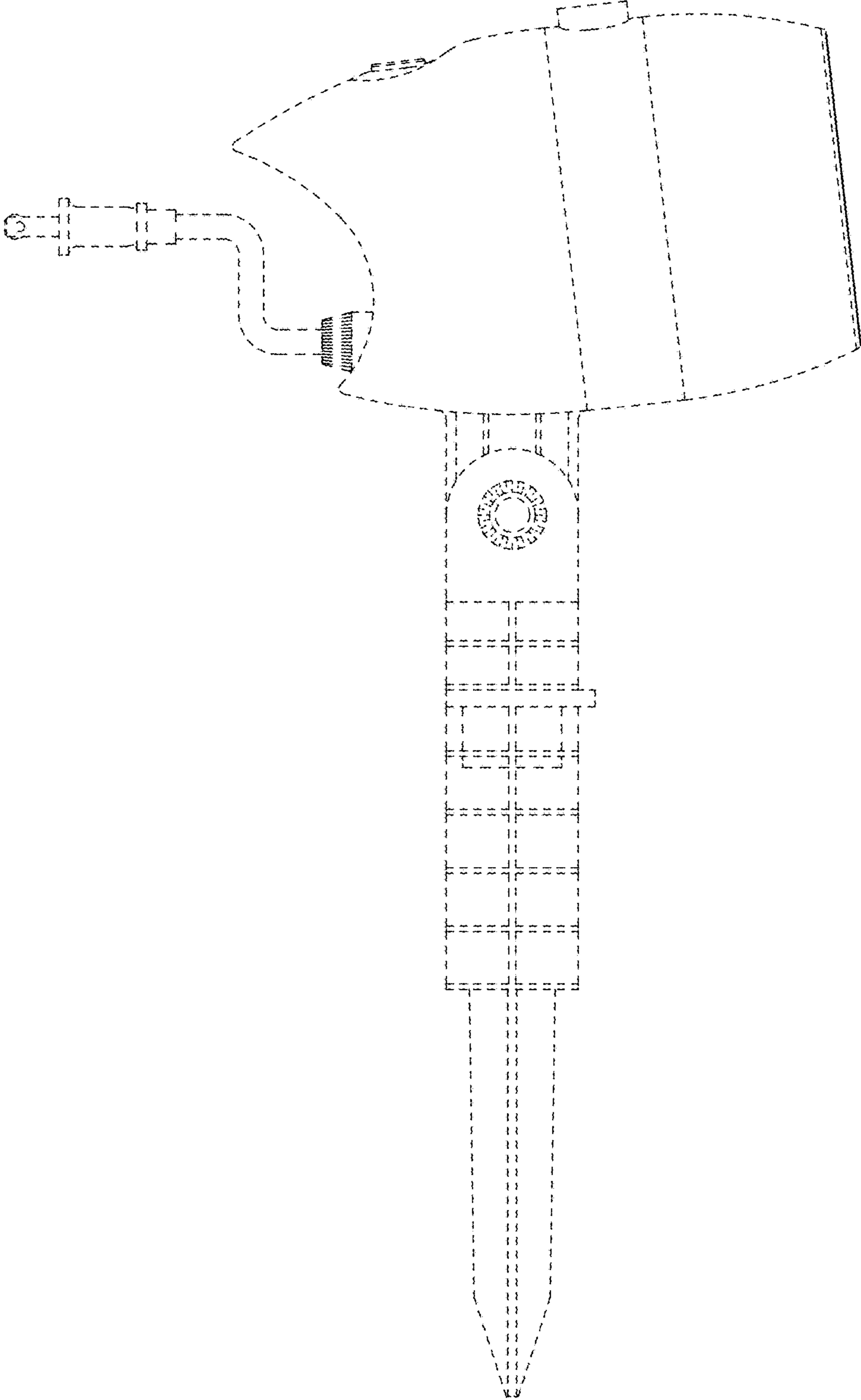


FIG. 6

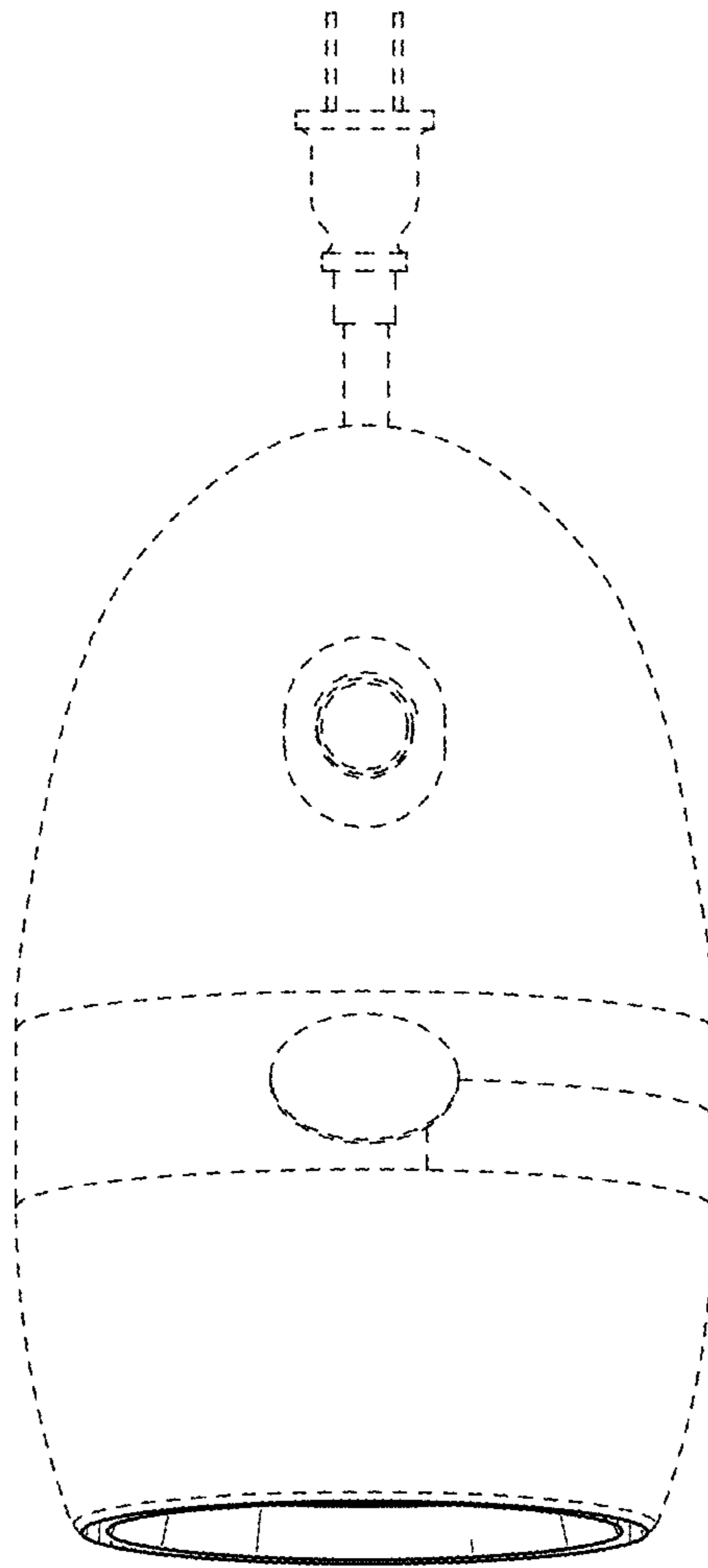


FIG. 7

