



US00D828613S

(12) **United States Design Patent** (10) **Patent No.:** **US D828,613 S**
Nanni (45) **Date of Patent:** **** Sep. 11, 2018**

(54) **LAMP**
(71) Applicant: **VIABIZZUNO S.R.L.**, Bentivoglio (IT)
(72) Inventor: **Mario Nanni**, Bologna (IT)
(73) Assignee: **VIABIZZUNO S.R.L.** (IT)
(**) Term: **15 Years**
(21) Appl. No.: **35/501,069**
(22) Filed: **May 31, 2016**
(80) **Hague Agreement Data**
Int. Filing Date: **May 31, 2016**
Int. Reg. No.: **DM/090876**
Int. Reg. Date: **May 31, 2016**
Int. Reg. Pub. Date: **Jun. 10, 2016**

(30) **Foreign Application Priority Data**
Dec. 4, 2015 (EM) 002890046-0008
(51) **LOC (11) Cl.** **26-03**
(52) **U.S. Cl.**
USPC **D26/93**
(58) **Field of Classification Search**
USPC D26/72, 83, 89, 91, 118
CPC F21S 8/04; F21S 8/033; F21S 8/036; F21S 13/02
See application file for complete search history.

(56) **References Cited**
U.S. PATENT DOCUMENTS
D645,182 S * 9/2011 Li D26/60
D656,263 S * 3/2012 Ogawa D26/74

D687,586 S * 8/2013 Rashidi D26/74
D687,587 S * 8/2013 Rashidi D26/74
D687,588 S * 8/2013 Rashidi D26/74
D692,172 S * 10/2013 Rashidi D26/74
D692,173 S * 10/2013 Rashidi D26/74
D692,175 S * 10/2013 Rashidi D26/74
D695,441 S * 12/2013 Lui D26/74
D695,941 S * 12/2013 Rashidi D26/74
D699,384 S * 2/2014 Rashidi D26/74
D705,472 S * 5/2014 Huh D26/74
D723,728 S * 3/2015 Jeswani D26/74
D726,949 S * 4/2015 Redfern D26/74
D769,501 S * 10/2016 Jeswani D26/74
D776,325 S * 1/2017 Jeswani D26/74
D777,966 S * 1/2017 Jeswani D26/74
D777,967 S * 1/2017 Redfern D26/74
D779,100 S * 2/2017 Redfern D26/74

* cited by examiner
Primary Examiner — Zenia Bennett
(74) *Attorney, Agent, or Firm* — Timothy J. Klima;
Shuttleworth & Ingersoll, PLC

(57) **CLAIM**
The ornamental design for a lamp, as shown and described.

DESCRIPTION
Fig. 1.1 is a left view of a lamp,
Fig. 1.2 is a right view thereof,
Fig. 1.3 is a front view thereof,
Fig. 1.4 is a back view thereof,
Fig. 1.5 is a perspective view thereof, and
Fig. 1.6 is a top view thereof.
The broken lines in the figures illustrate portions of the lamp that form no part of the claimed design.

1 Claim, 6 Drawing Sheets

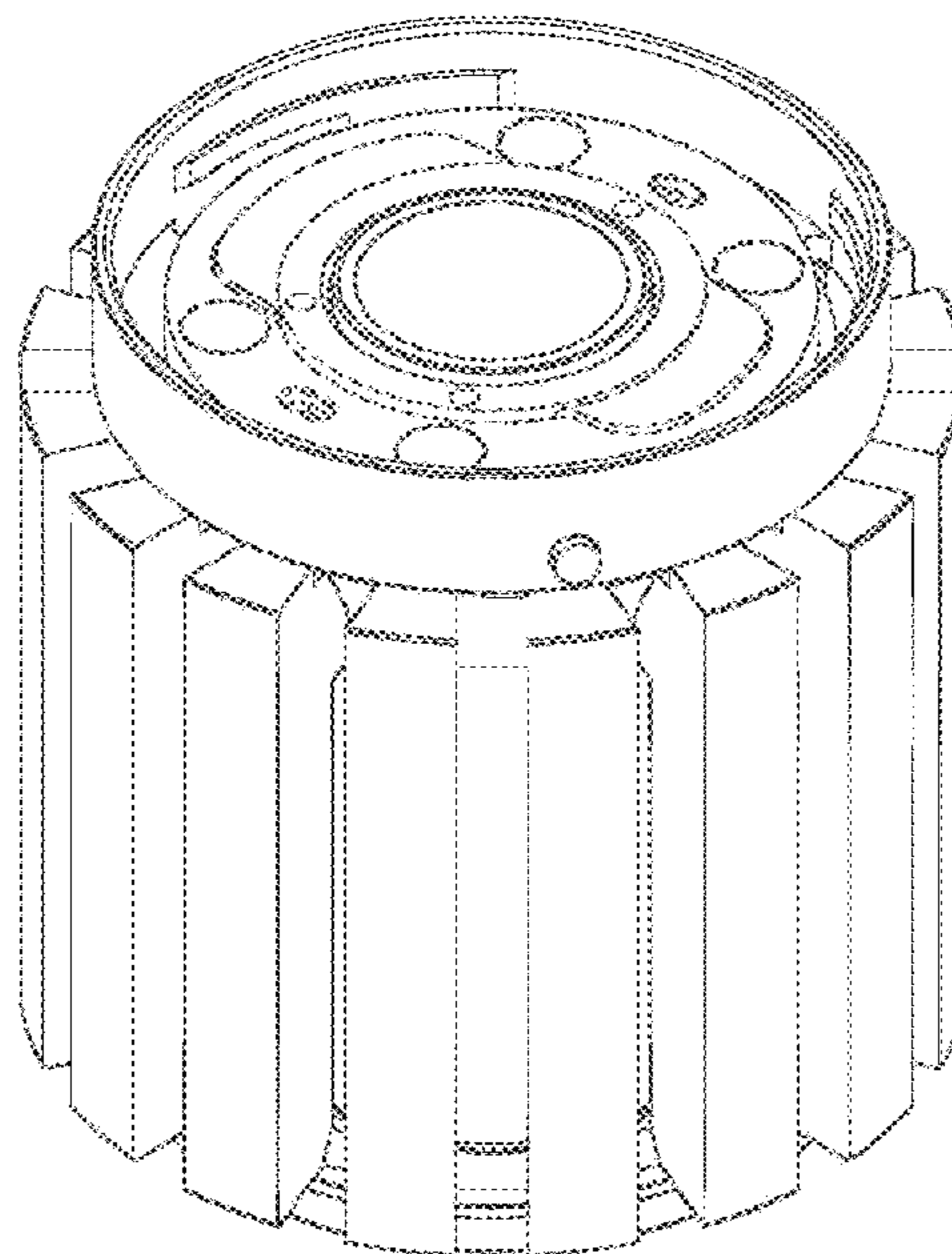


FIG. 1.1

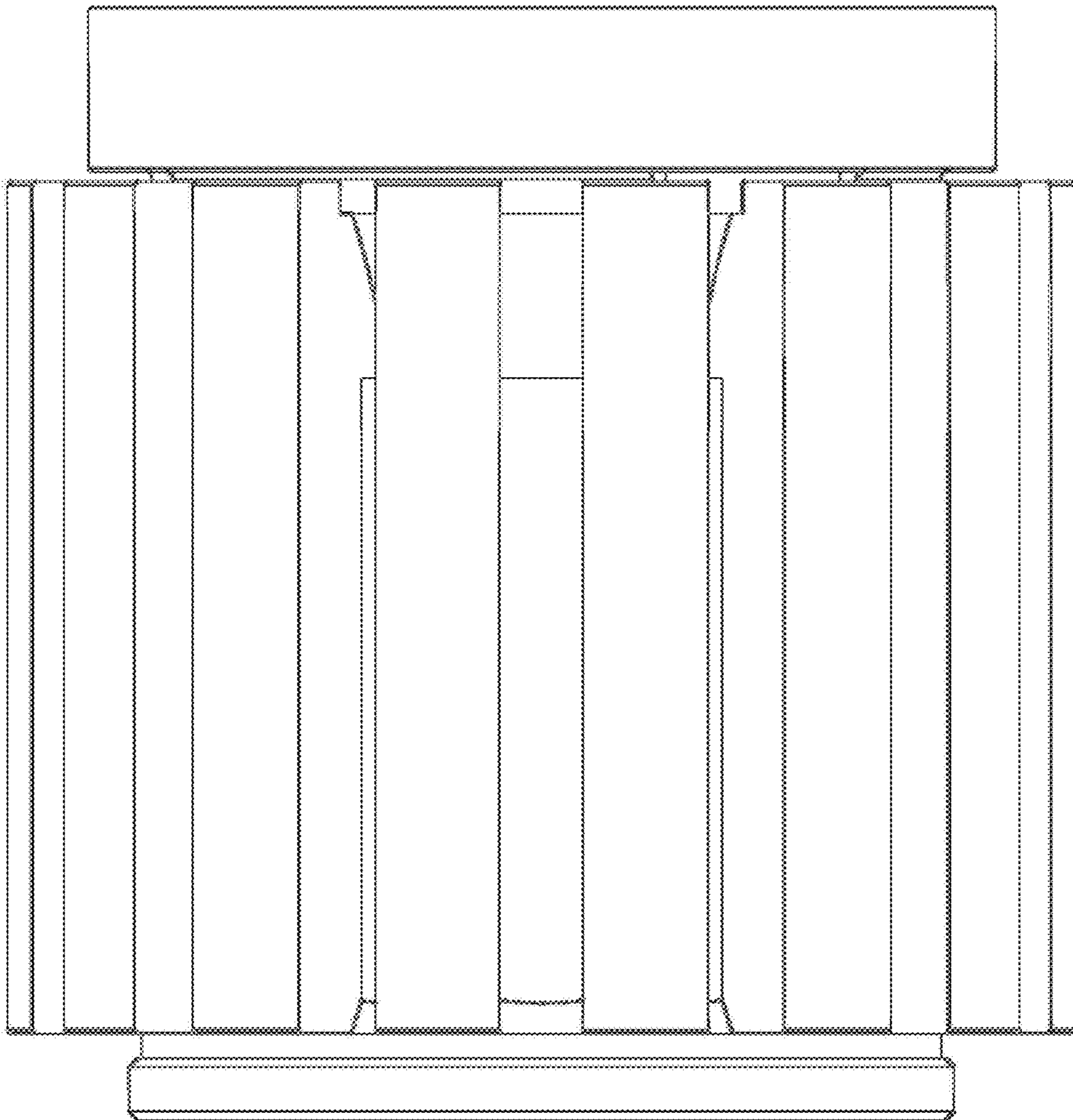


FIG. 1.2

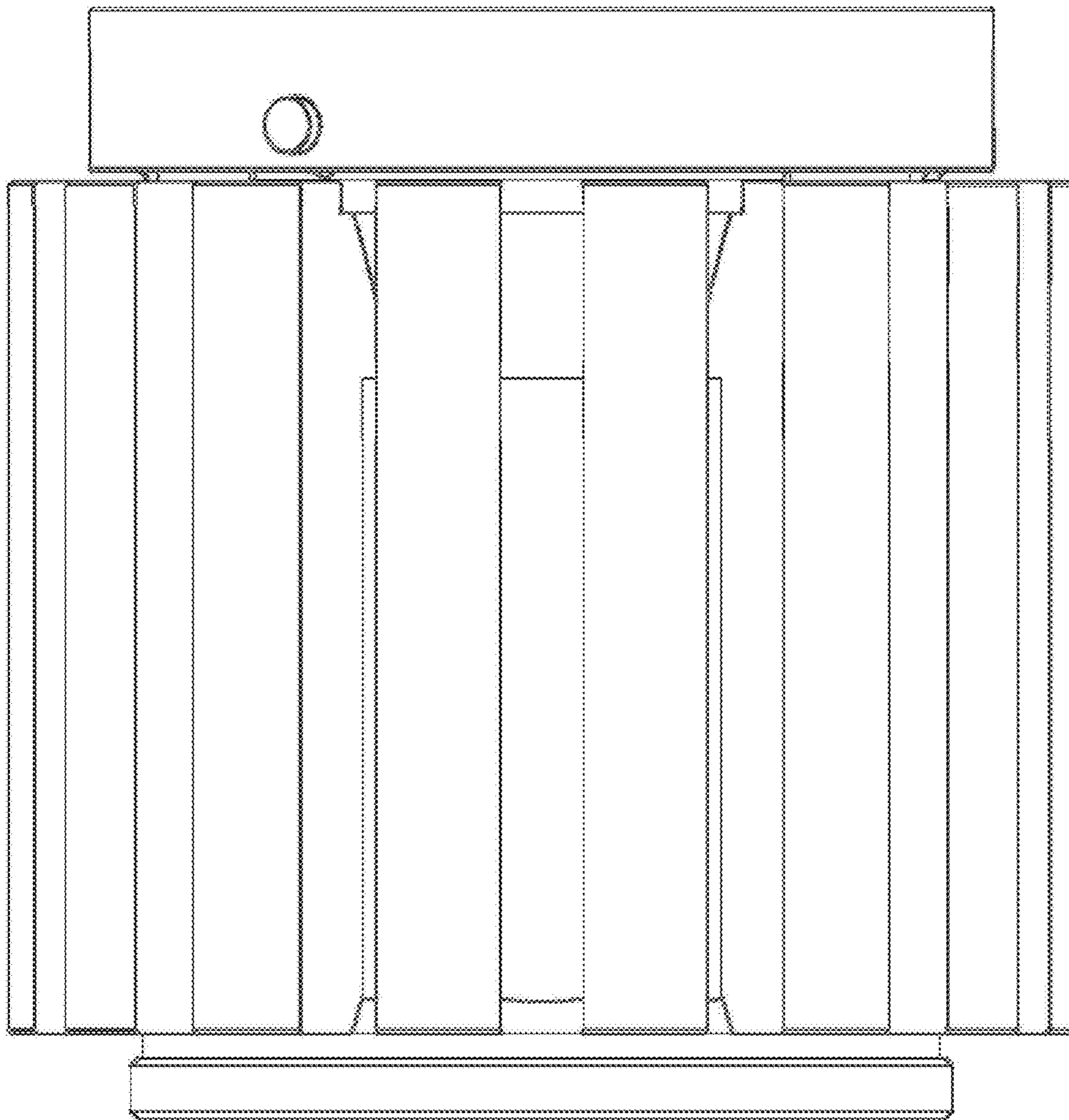


FIG. 1.3

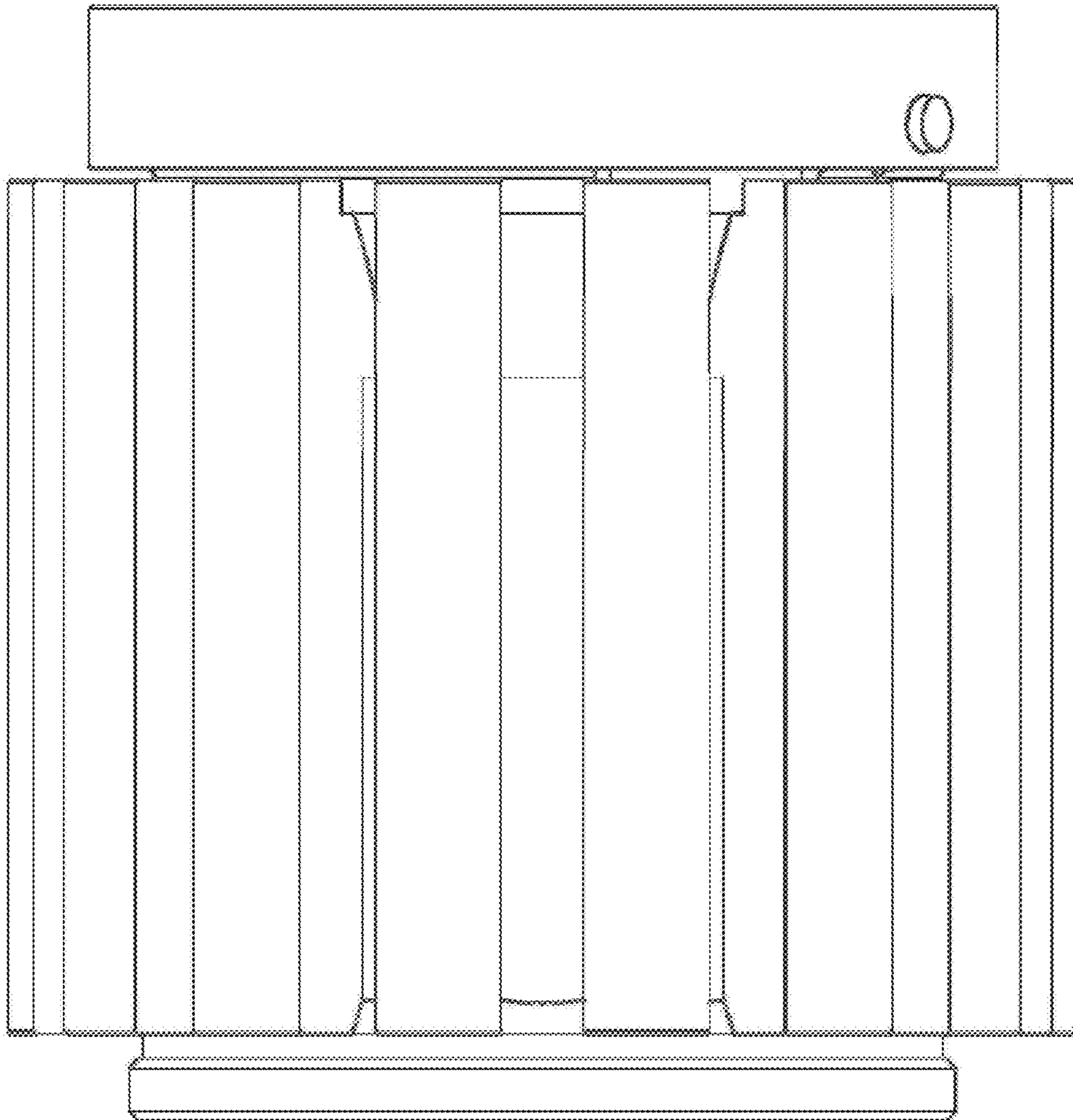


FIG. 1.4

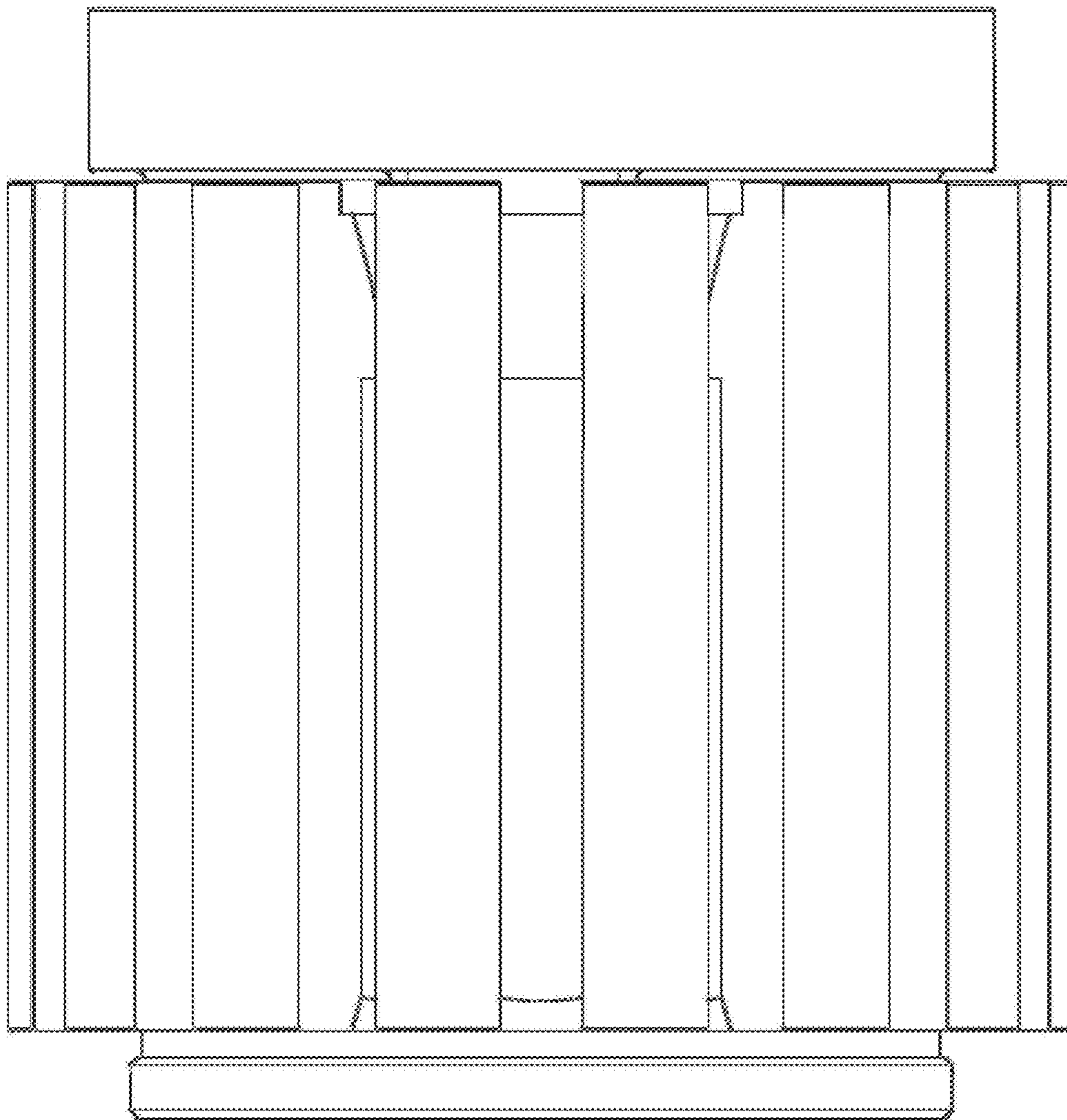


FIG. 1.5

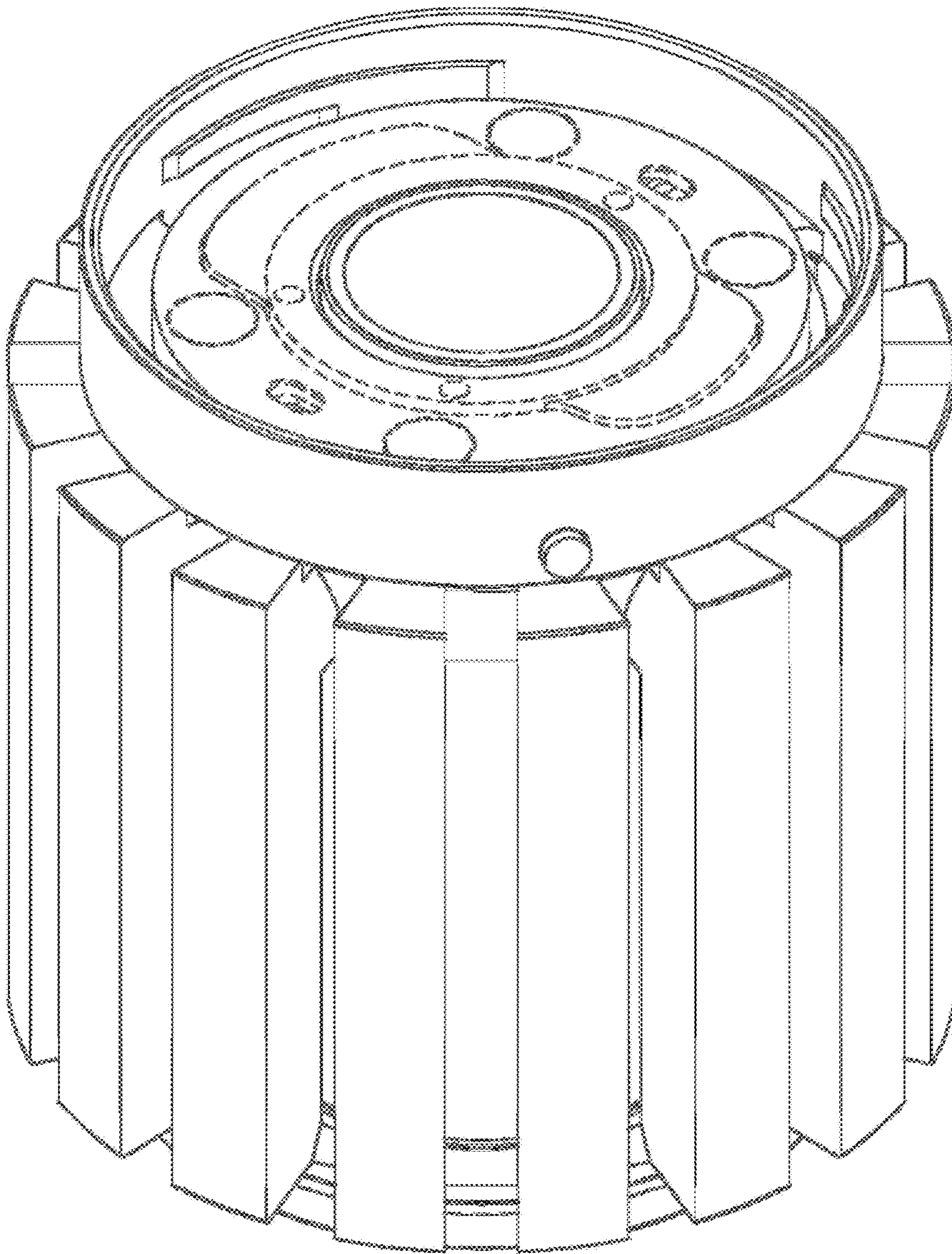


FIG. 1.6

