

US00D828610S

(12) **United States Design Patent** (10) **Patent No.:** **US D828,610 S**
Amato et al. (45) **Date of Patent:** **** Sep. 11, 2018**

(54) **LIGHTING FIXTURE**

D590,097 S 4/2009 Tam
D609,388 S * 2/2010 Sabernig D26/85
D670,424 S 11/2012 Lee

(Continued)

(71) Applicant: **The Urban Electric Company**, North Charleston, SC (US)

(72) Inventors: **Michael Amato**, Johns Island, SC (US); **David Dawson**, Charleston, SC (US); **Jonathan Charpia**, Summerville, SC (US); **Christopher Roof**, Charleston, SC (US); **Joeangel Casanova**, North Charleston, SC (US); **Courteney Salsbury**, Mount Pleasant, SC (US); **Brianna Magagnoli**, Charleston, SC (US)

OTHER PUBLICATIONS

Rex Sconce, Architecturaldigest.Com, by Hannah Martin, May 17, 2016, site visited Feb. 26, 2018, available online at <https://www.architecturaldigest.com/gallery/outdoor-lighting-ideas/all> (Year: 2016).*

Primary Examiner — Cathron C Brooks
(74) *Attorney, Agent, or Firm* — Jeffrey T. Stover; Haynsworth Sinkler Boyd, P.A.

(73) Assignee: **The Urban Electric Company**, North Charleston, SC (US)

(57) **CLAIM**

(**) Term: **15 Years**

The ornamental design for a lighting fixture, as shown and described.

(21) Appl. No.: **29/597,096**

DESCRIPTION

(22) Filed: **Mar. 14, 2017**

(51) **LOC (11) Cl.** **26-05**

(52) **U.S. Cl.**
USPC **D26/87**

(58) **Field of Classification Search**
USPC D26/72, 80-89, 92, 61, 62
CPC .. F21S 8/033; F21S 8/036; F21S 8/038; F21S 9/037; F21W 2121/004; F21W 2131/107
See application file for complete search history.

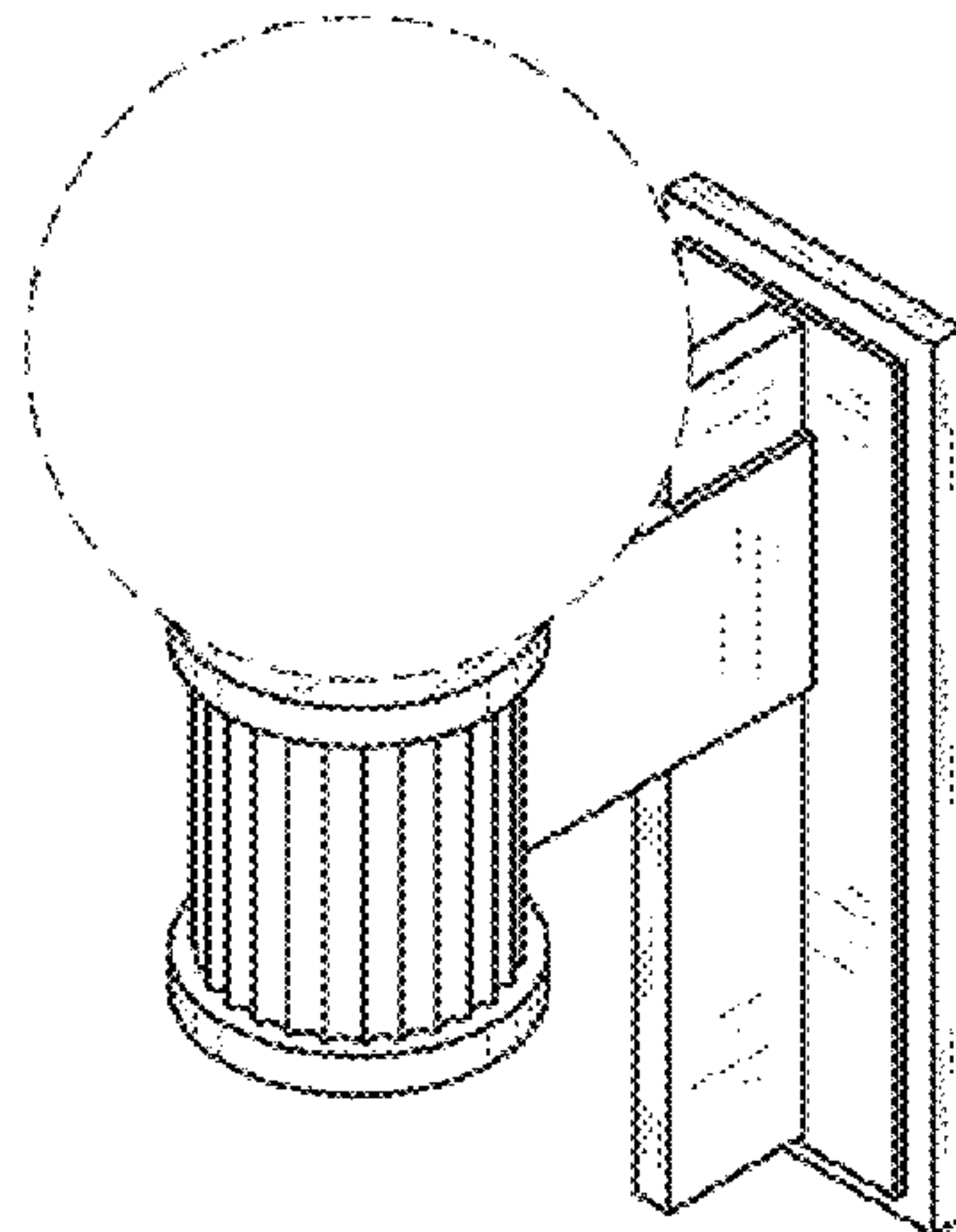
FIG. 1 is a top-front perspective view of a lighting fixture showing the new design;
FIG. 2 is a front elevational view thereof;
FIG. 3 is a back elevational view thereof.
FIG. 4 is a right side elevational view thereof;
FIG. 5 is a left side elevational view thereof;
FIG. 6 is a top plan view thereof;
FIG. 7 is a bottom plan view thereof; and,
FIG. 8 is a top-back perspective view thereof.
The vertical broken lines in FIG. 4 and FIG. 5 and the horizontal broken lines in FIG. 6 and FIG. 7 represent the surface of the wall to which the lighting fixture is mounted, which surface forms no part of the claimed design. The circular broken line disclosure in FIGS. 1-8 represents the bulb of the lighting fixture, which forms no part of the claimed design. The rectangular broken line disclosure in FIG. 3 and FIG. 8 represent the rear surface of the lighting fixture, which rear surface forms no part of the claimed design.

(56) **References Cited**

U.S. PATENT DOCUMENTS

D82,921 S * 12/1930 Nessen D26/92
D261,558 S * 10/1981 Palka D26/87
D302,867 S 8/1989 Dennis et al.
4,961,276 A 10/1990 Lin
D385,374 S 10/1997 Shalvi
D392,764 S 3/1998 Balish, Jr.
D393,016 S 3/1998 Young
D438,665 S * 3/2001 Rochon D26/87
D480,497 S 10/2003 Yup

1 Claim, 8 Drawing Sheets



(56)

References Cited

U.S. PATENT DOCUMENTS

D690,871 S	*	10/2013	Kitts	D26/85
D744,691 S	*	12/2015	Kitts	D26/85
D757,988 S		5/2016	Chang	
2008/0291663 A1	*	11/2008	Wedell	F21K 9/00 362/147

* cited by examiner

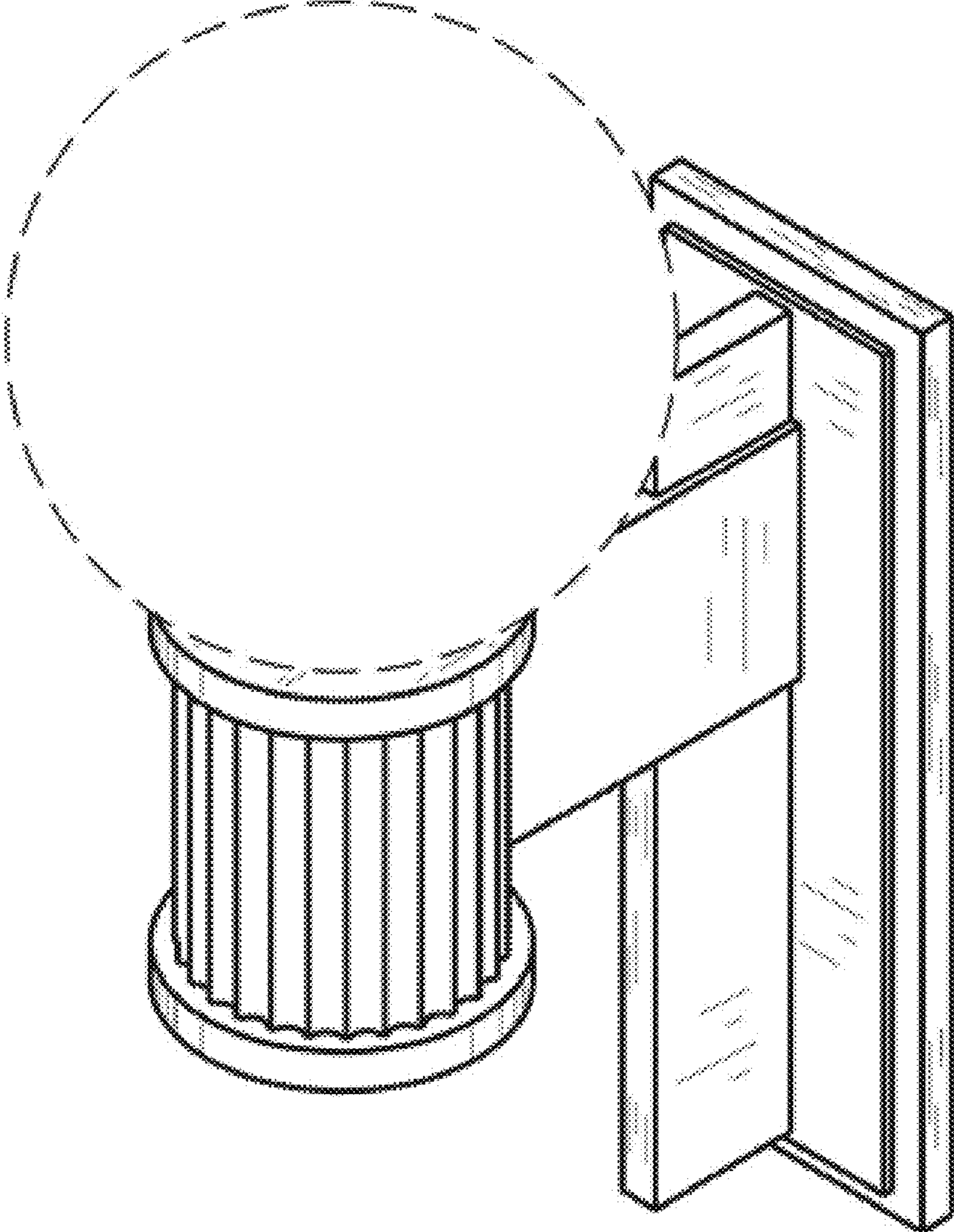


FIG. 1

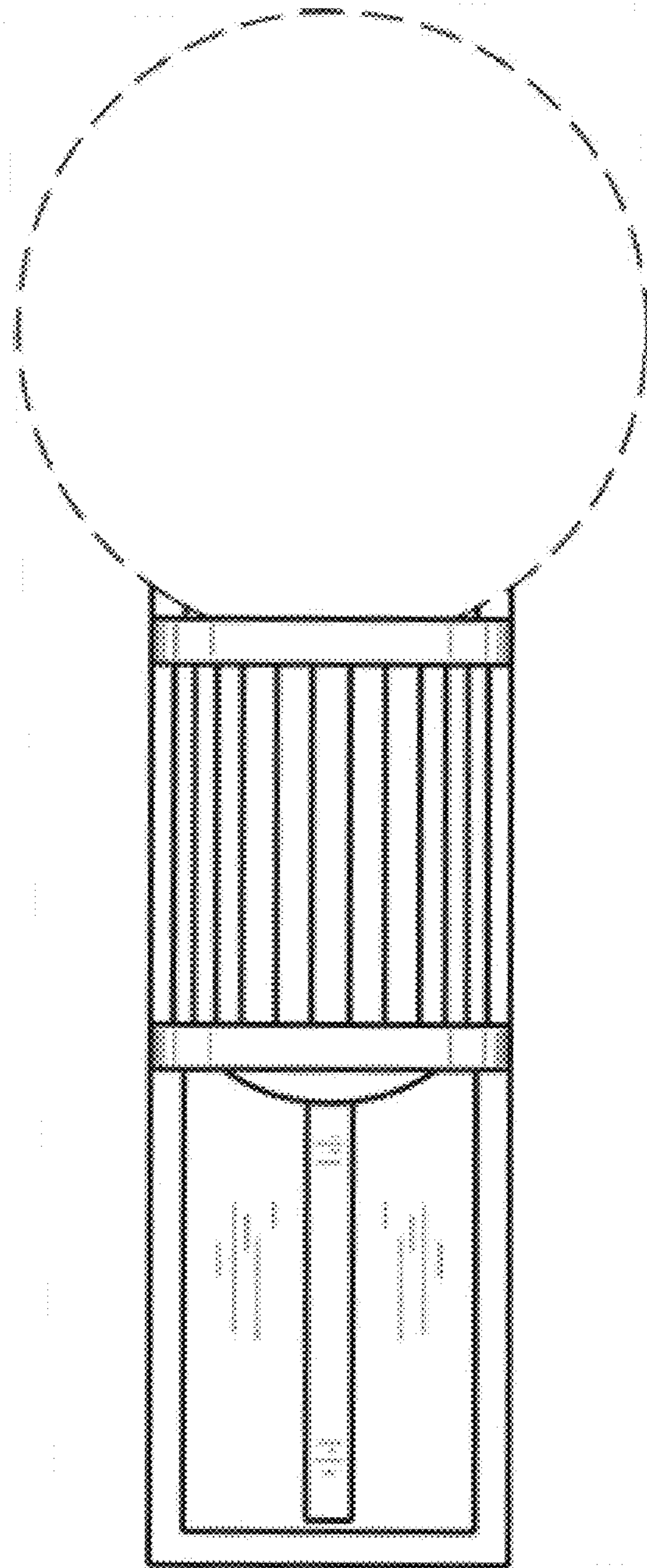


FIG. 2

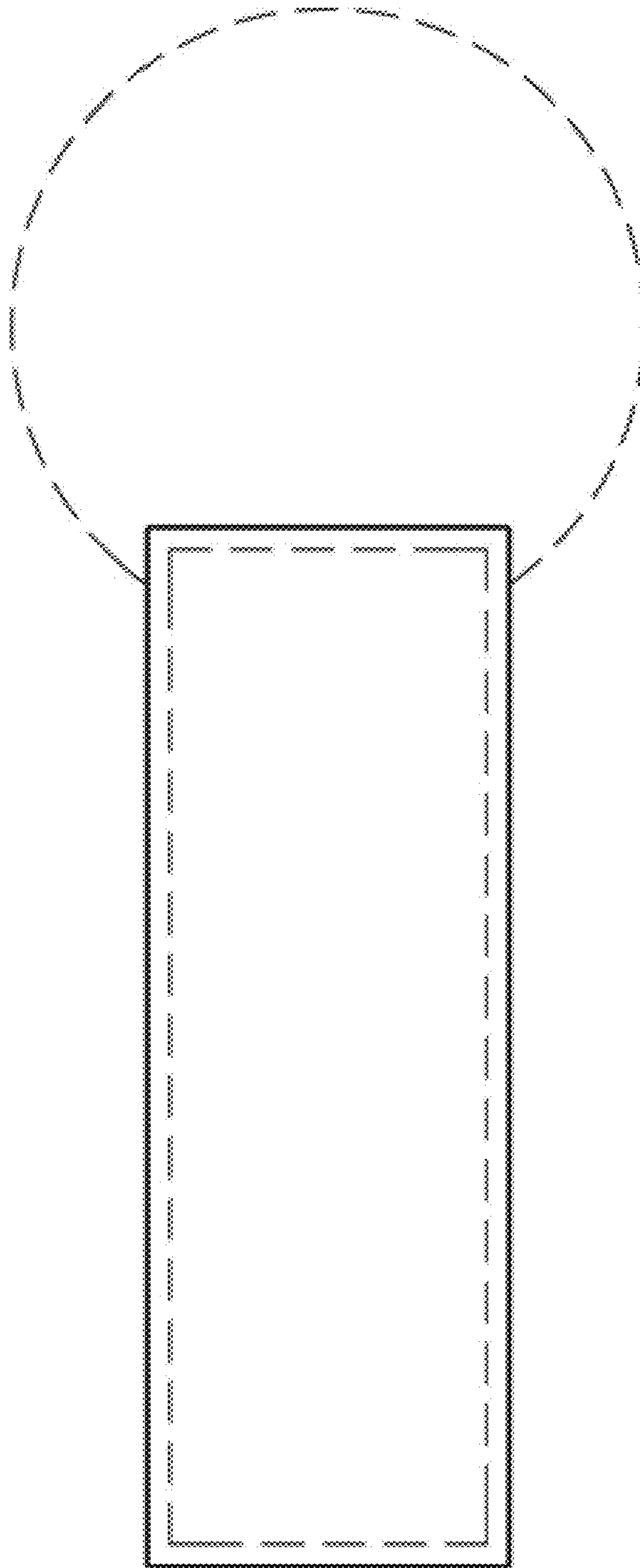


FIG. 3

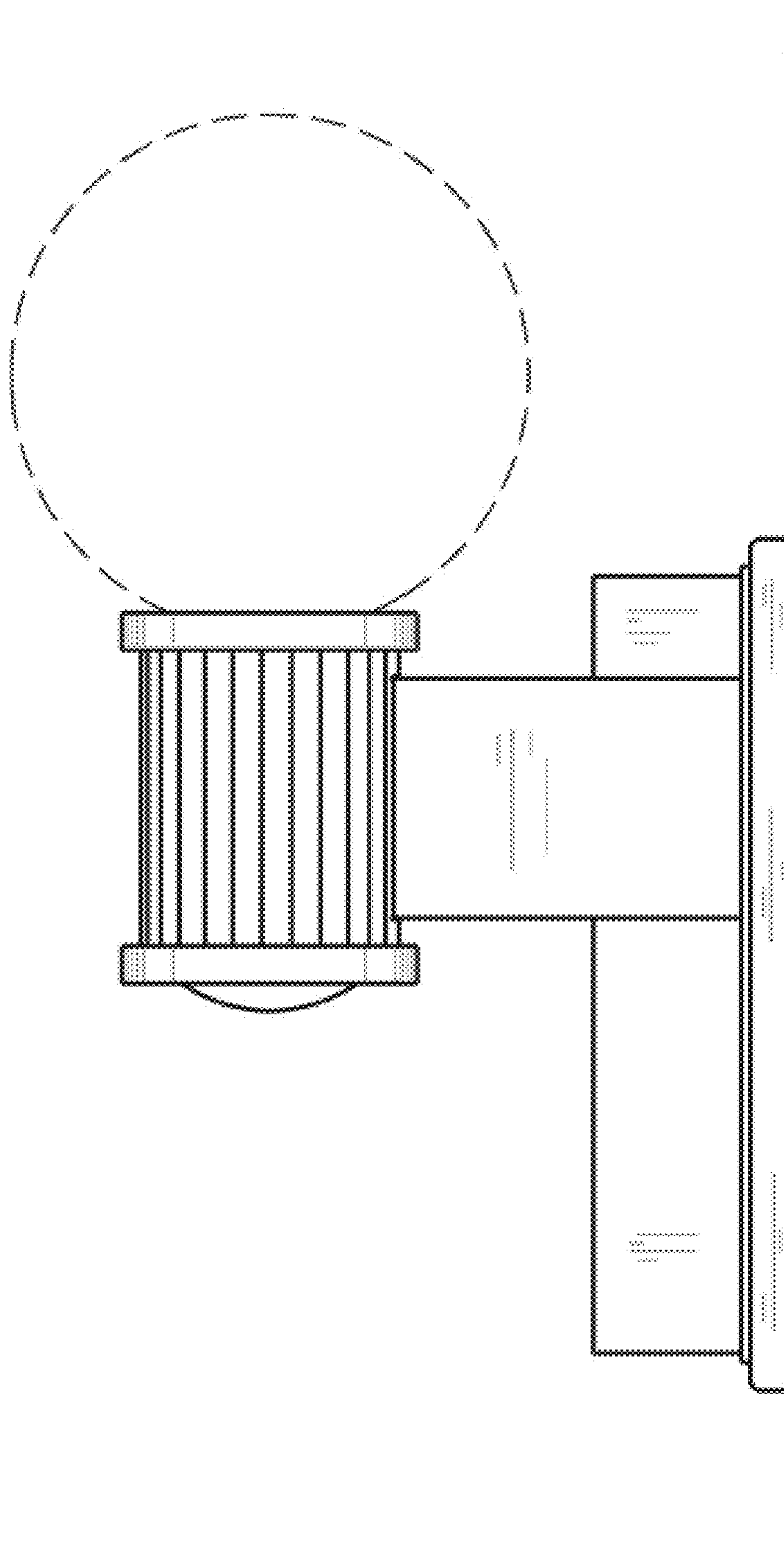


FIG. 4

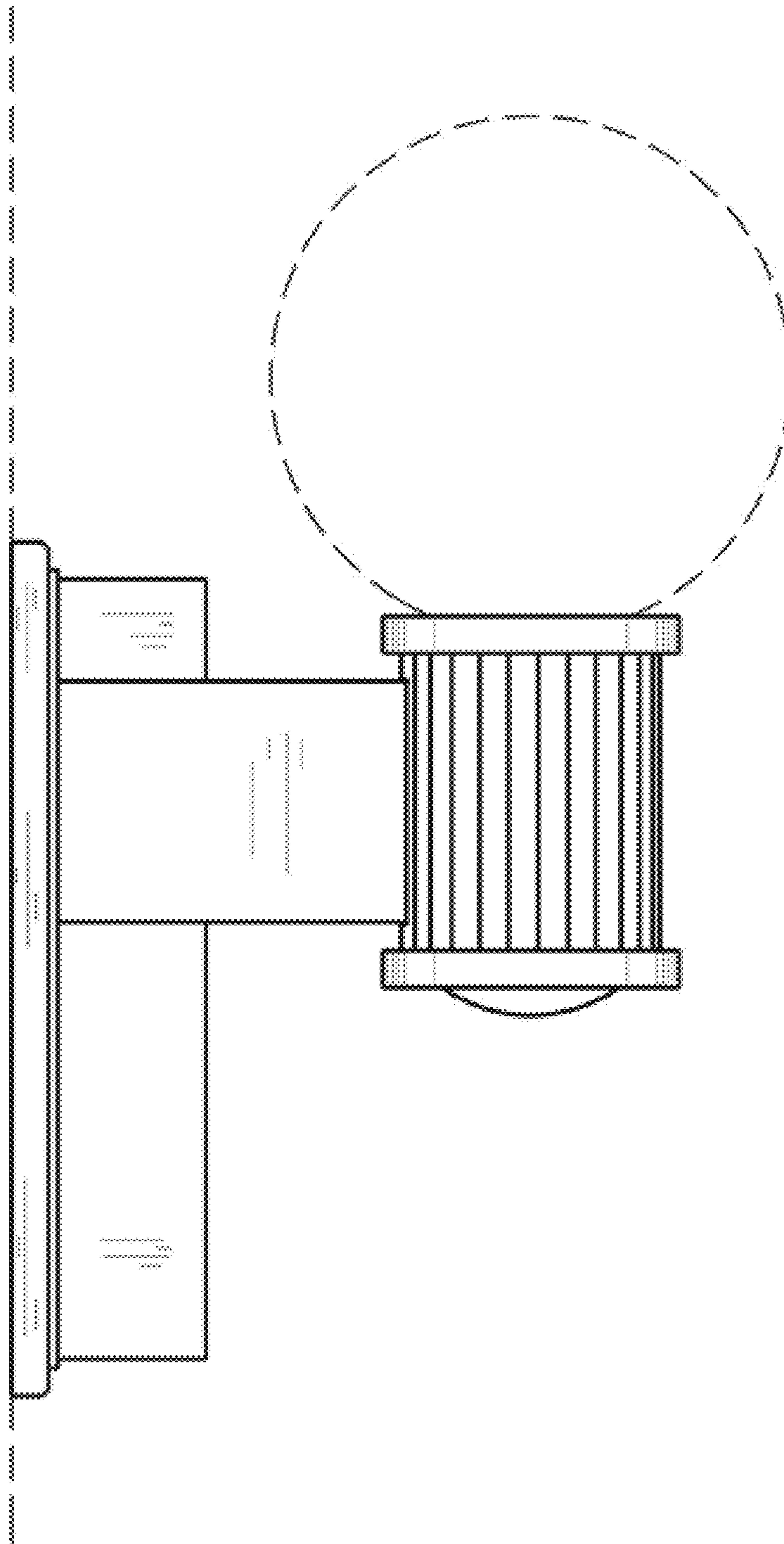


FIG. 5

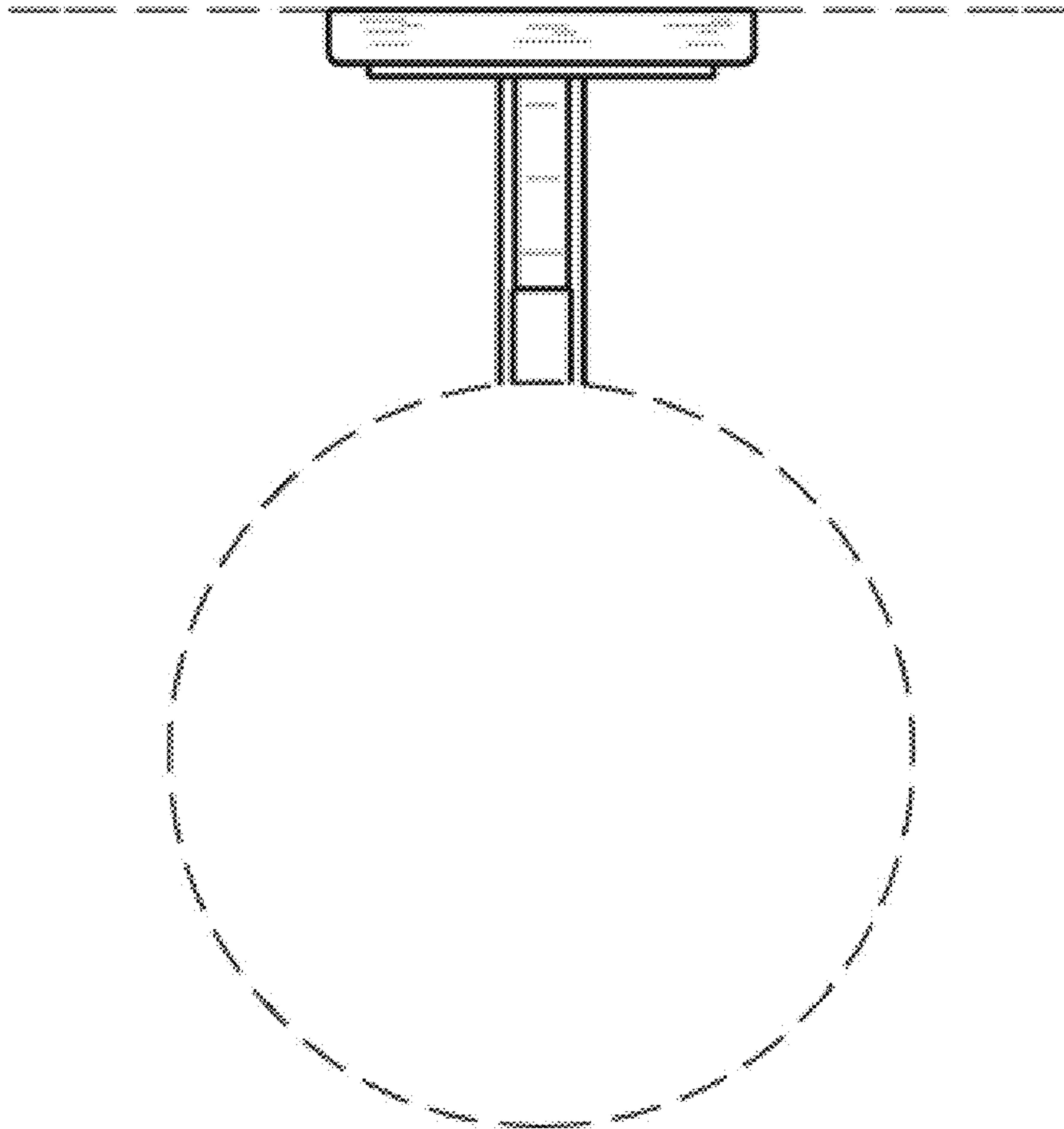


FIG. 6

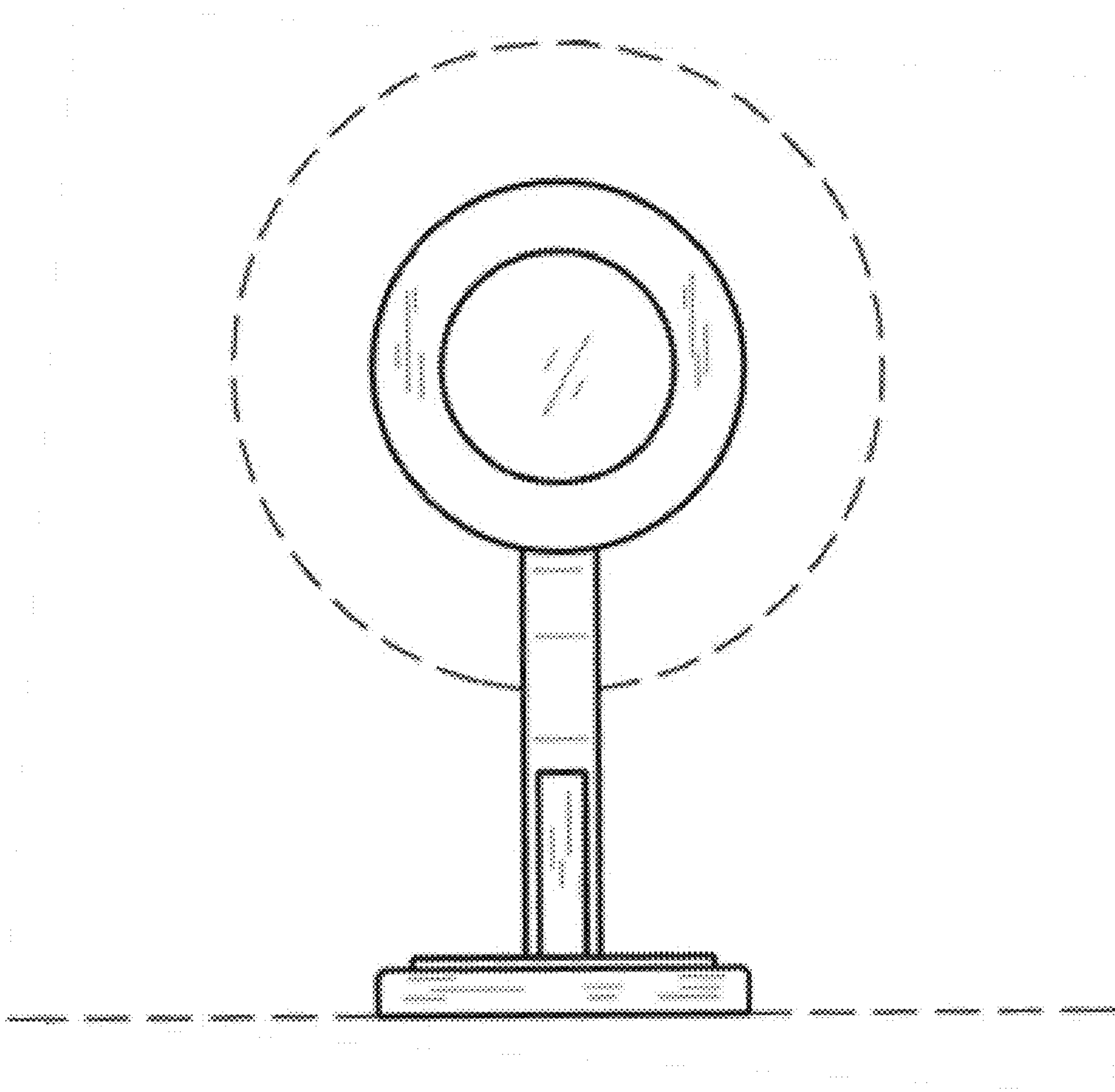


FIG. 7

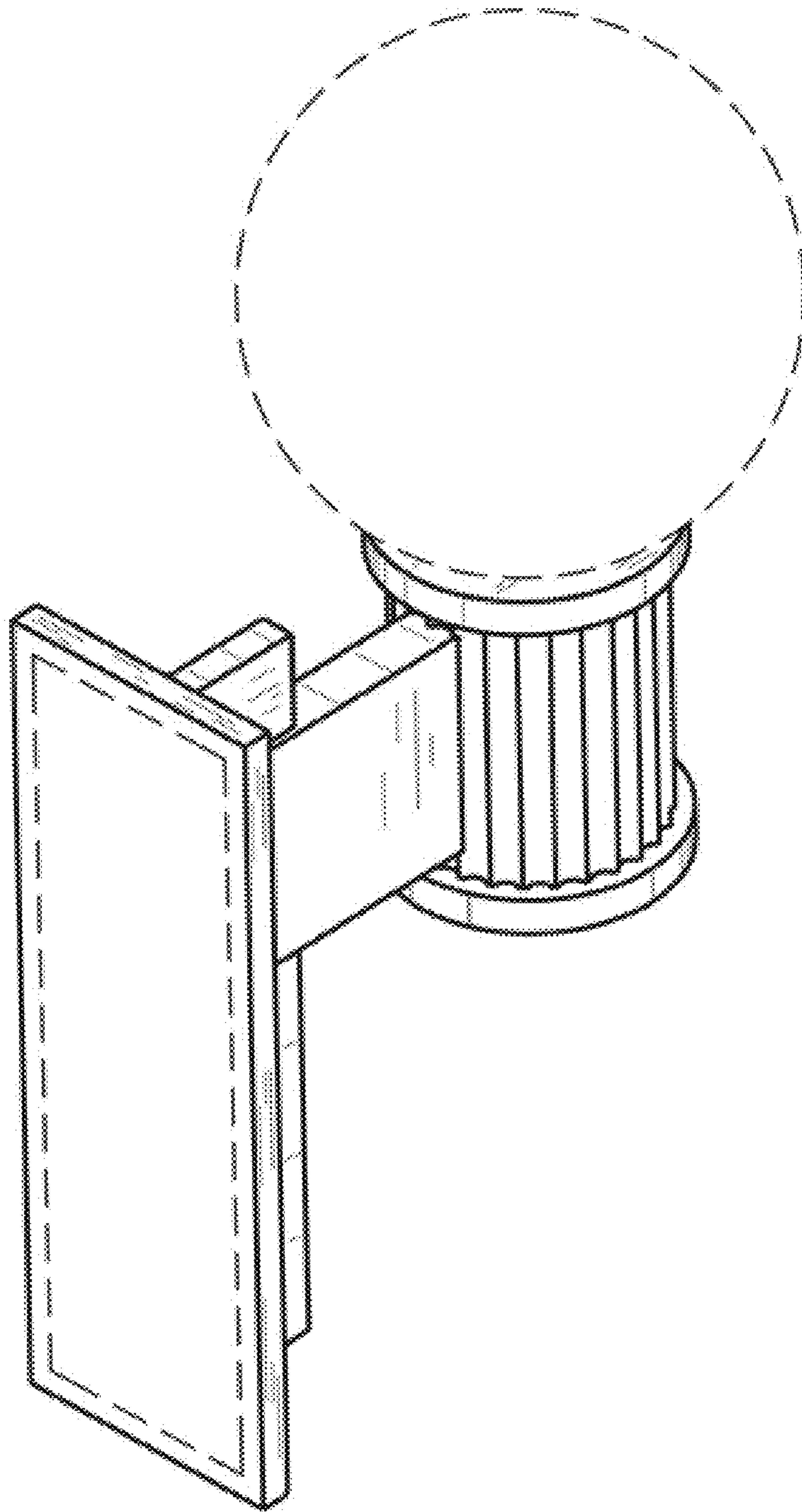


FIG. 8