



US00D828609S

(12) **United States Design Patent** (10) **Patent No.:** **US D828,609 S**
Barber et al. (45) **Date of Patent:** **** Sep. 11, 2018**

(54) **LAMP**

(71) Applicant: **FLOS S.P.A.**, Bovezzo (IT)

(72) Inventors: **Edward Barber**, Brescia (IT); **Jay Osgerby**, Brescia (IT)

(73) Assignee: **FLOS S.p.A.**, Bovezzo (IT)

(**) Term: **15 Years**

(21) Appl. No.: **35/503,285**

(22) Filed: **May 4, 2017**

(80) **Hague Agreement Data**

Int. Filing Date: **May 4, 2017**

Int. Reg. No.: **DM/096558**

Int. Reg. Date: **May 4, 2017**

Int. Reg. Pub. Date: **Jul. 7, 2017**

(30) **Foreign Application Priority Data**

Nov. 16, 2016 (IT) 402016000115865

(51) **LOC (11) Cl.** **26-05**

(52) **U.S. Cl.**
USPC **D26/85**

(58) **Field of Classification Search**

USPC ... D26/3, 28, 76, 78, 79, 80, 81, 82, 83, 85,
D26/86, 88, 90, 93, 111, 113, 118, 119,
D26/120, 121, 122, 138, 139, 140, 141,
D26/142, 152

CPC F21S 2/00; F21S 4/00; F21S 4/003; F21S
4/005; F21S 4/006; F21S 4/007; F21S
4/008; F21S 6/00; F21S 8/00; F21S
8/024; F21S 8/026; F21S 8/031; F21S
8/033; F21S 8/035–8/037; F21S 8/04;
F21S 8/043; F21S 8/063

See application file for complete search history.

(56) **References Cited**

U.S. PATENT DOCUMENTS

D310,268	S	*	8/1990	Shalvi	D26/67
D549,384	S	*	8/2007	Grawunder	D26/85
D576,340	S	*	9/2008	Wanders	D26/88
D589,204	S	*	3/2009	Sabernig	D26/104
D633,231	S	*	2/2011	Morrison	D26/24
D642,727	S	*	8/2011	van den Akker	D26/85
D670,424	S	*	11/2012	Lee	D26/93
D757,982	S	*	5/2016	Breedlove, Sr.	D26/67
D765,904	S	*	9/2016	Pouzet	D26/110
D788,475	S	*	6/2017	Kiyohara	D6/309
D790,109	S	*	6/2017	Starck	D26/93
D790,748	S	*	6/2017	Starck	D26/93
D803,462	S	*	11/2017	Couckhuyt	D26/93
9,823,408	B2	*	11/2017	Yuan	G02B 6/0046
D808,063	S	*	1/2018	Starck	D26/93
D819,254	S	*	5/2018	Richardson	D26/85

* cited by examiner

Primary Examiner — George D. Kirschbaum

Assistant Examiner — Natasha Vujcic

(74) *Attorney, Agent, or Firm* — Thomas | Horstemeyer, LLP

(57) **CLAIM**

The ornamental design for a lamp, as shown and described.

DESCRIPTION

1. Lamp

1.1 is a top perspective view;

1.2 is a bottom perspective view;

1.3 is a front view;

1.4 is a rear view;

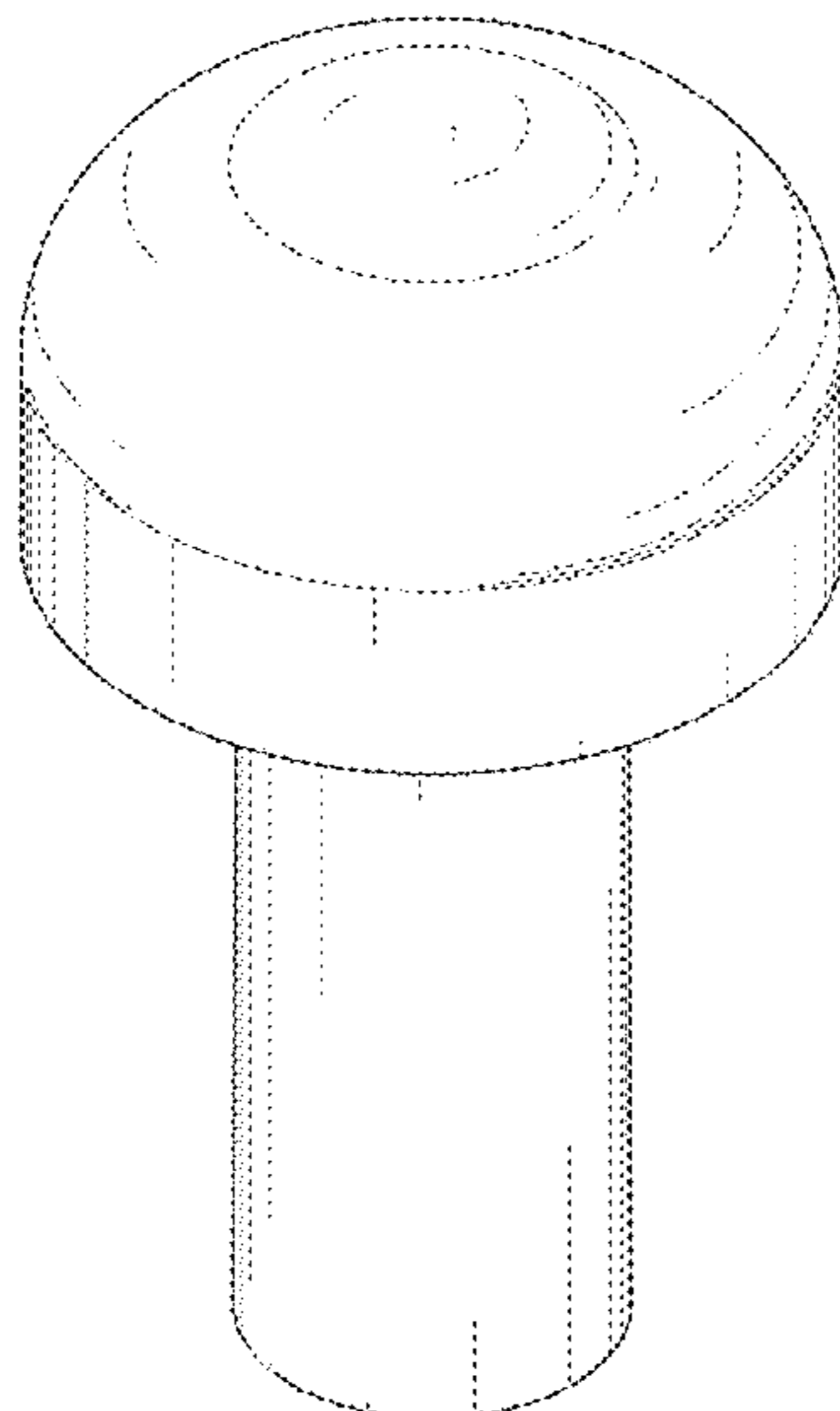
1.5 is a right side view;

1.6 is a left side view;

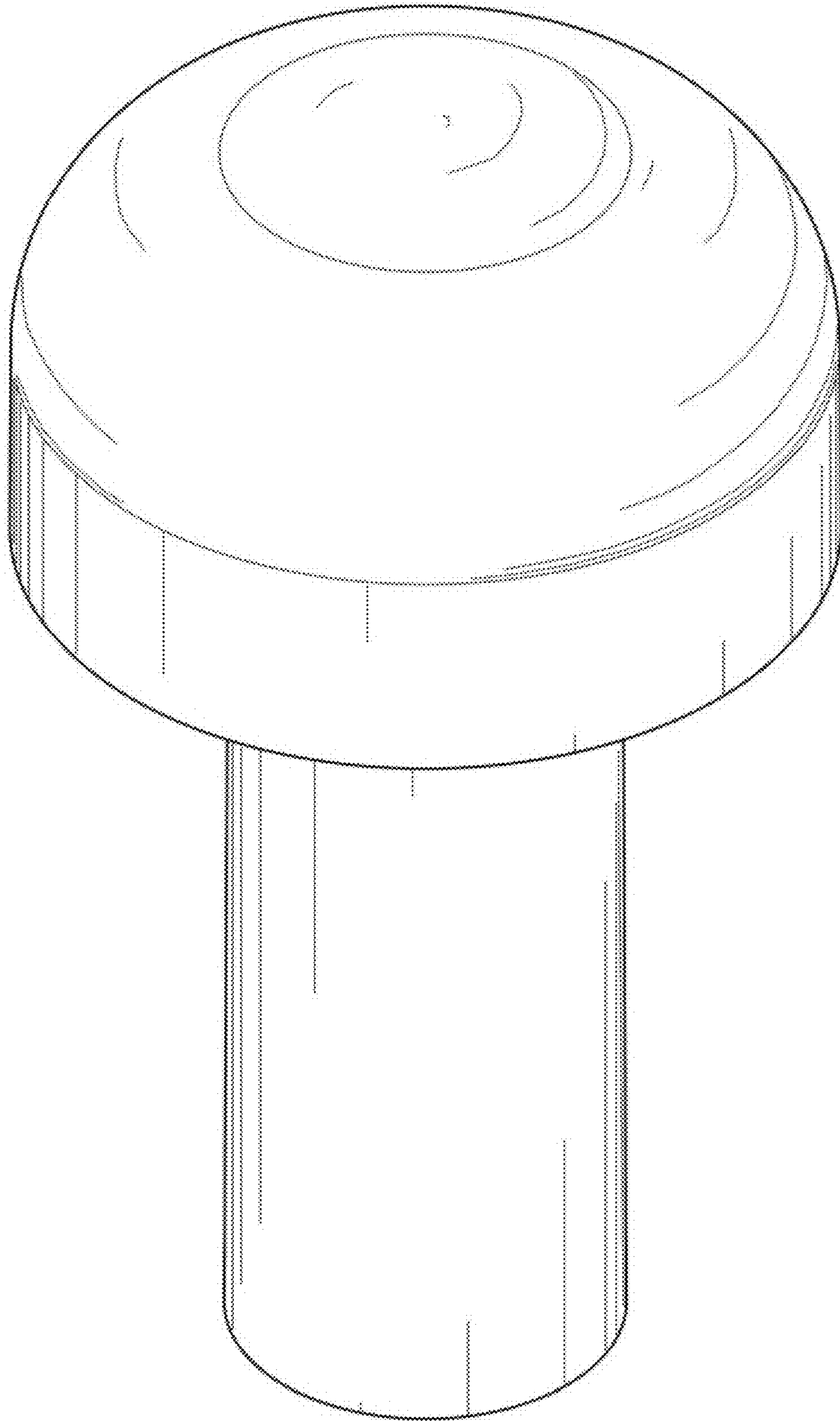
1.7 is a top plan view;

1.8 is a bottom plan view.

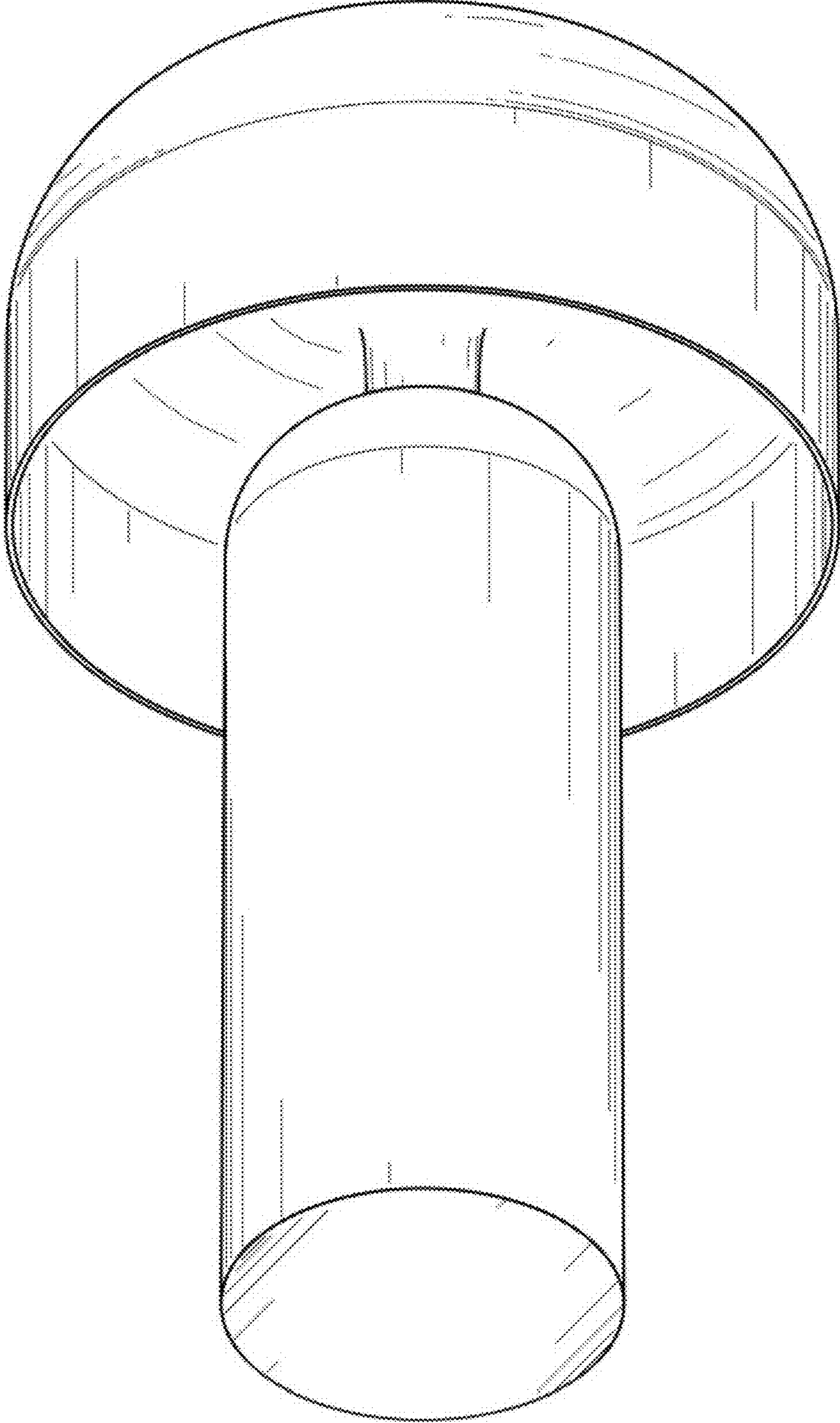
1 Claim, 8 Drawing Sheets



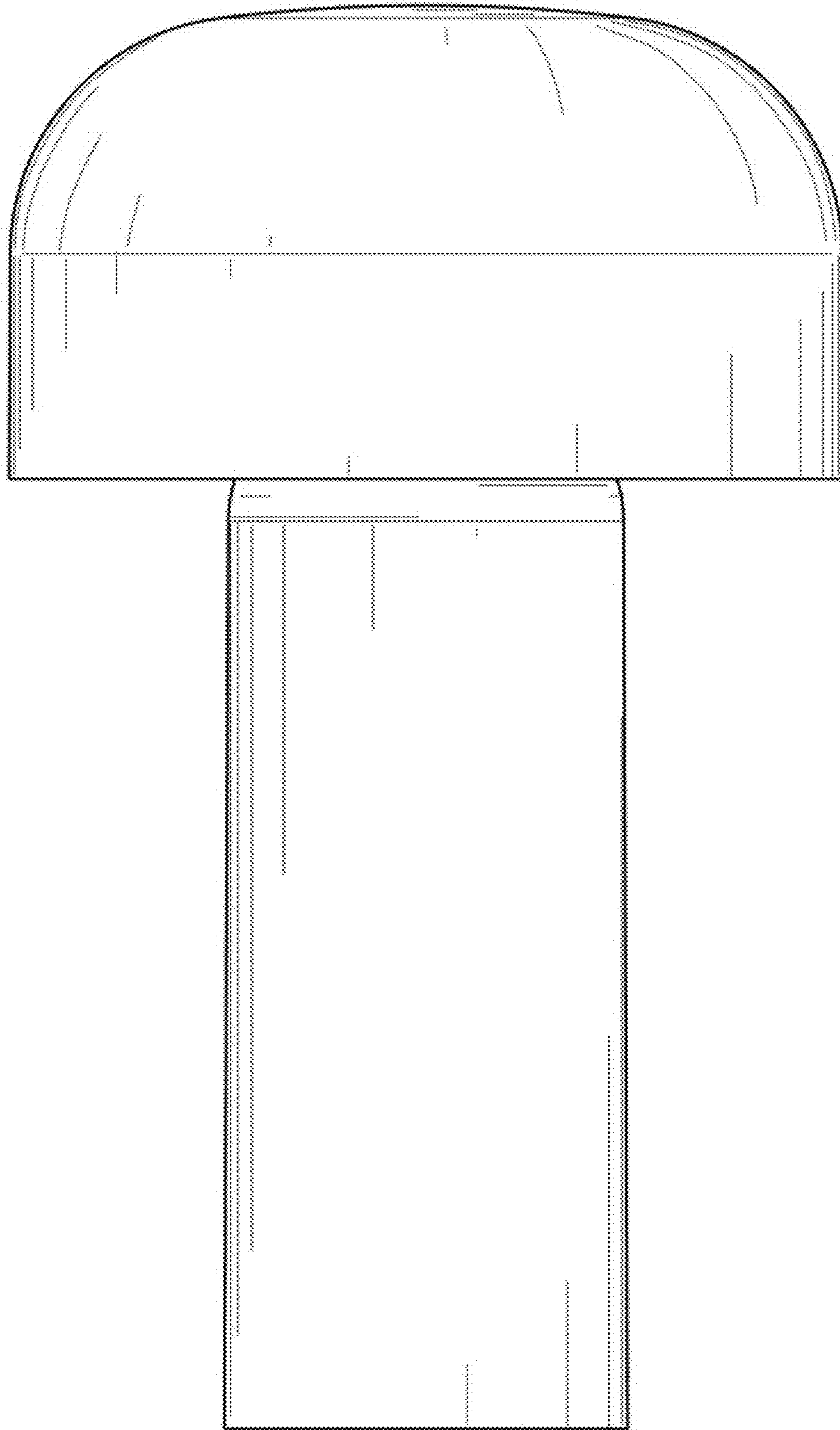
1.1



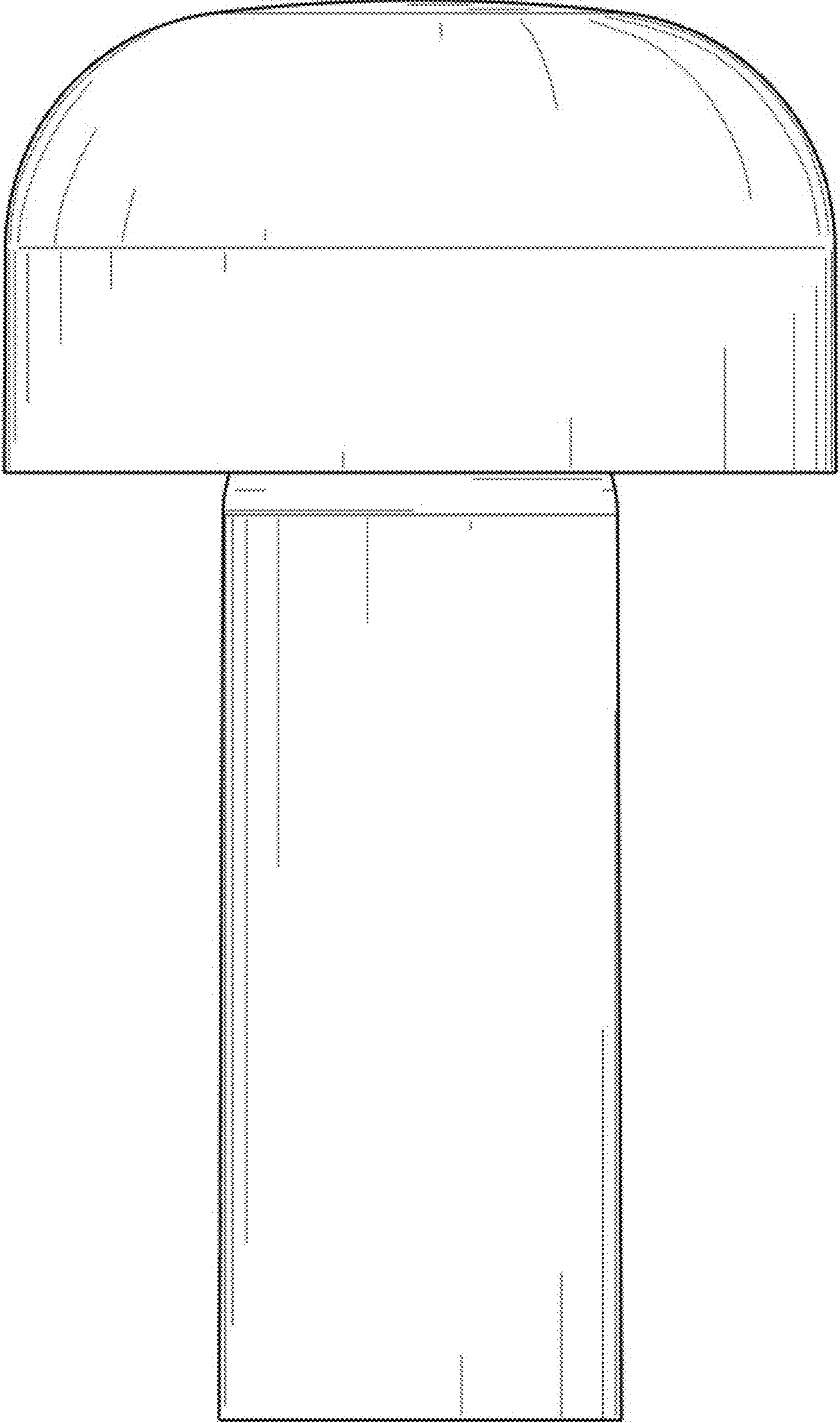
1.2



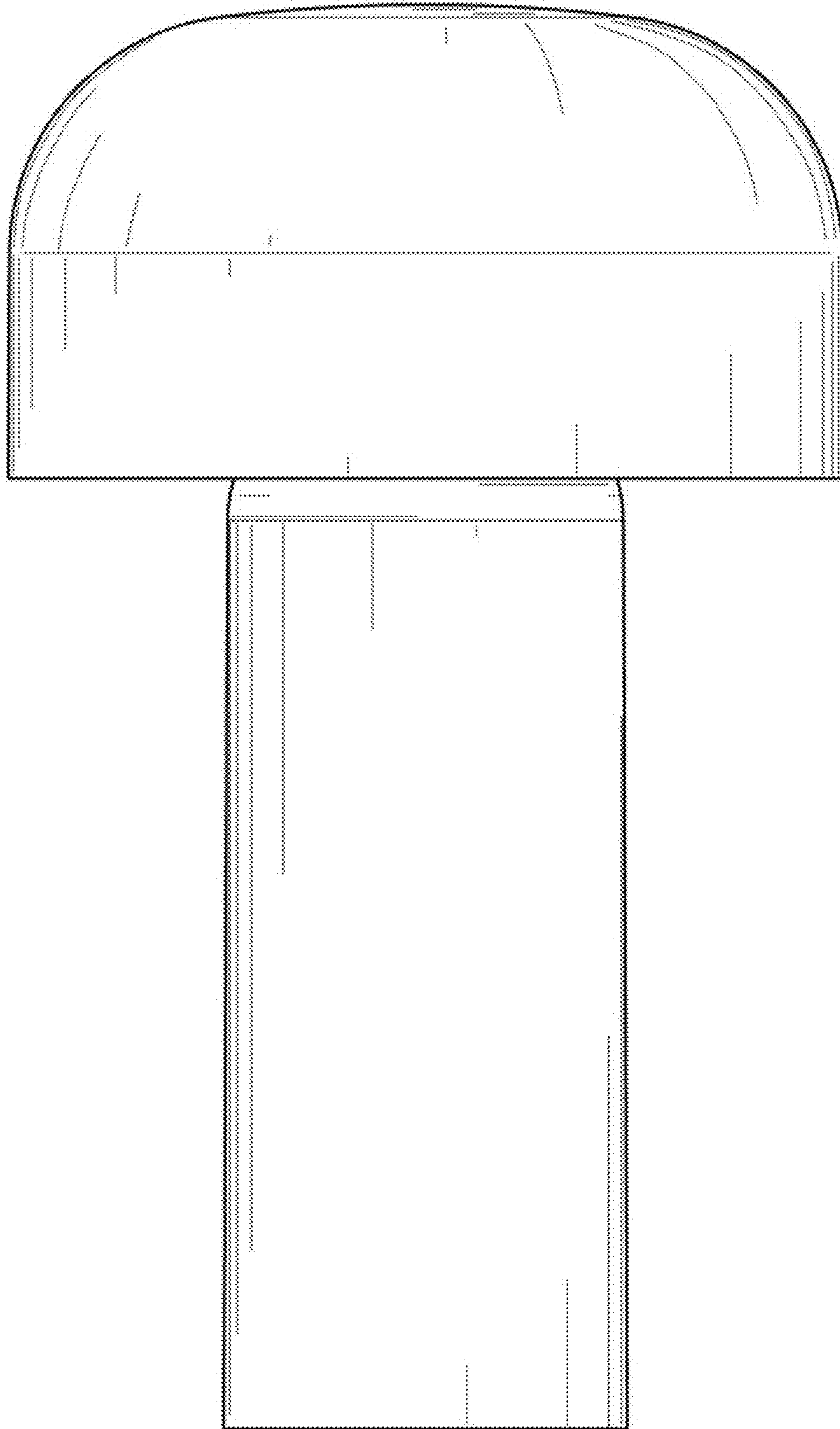
1.3



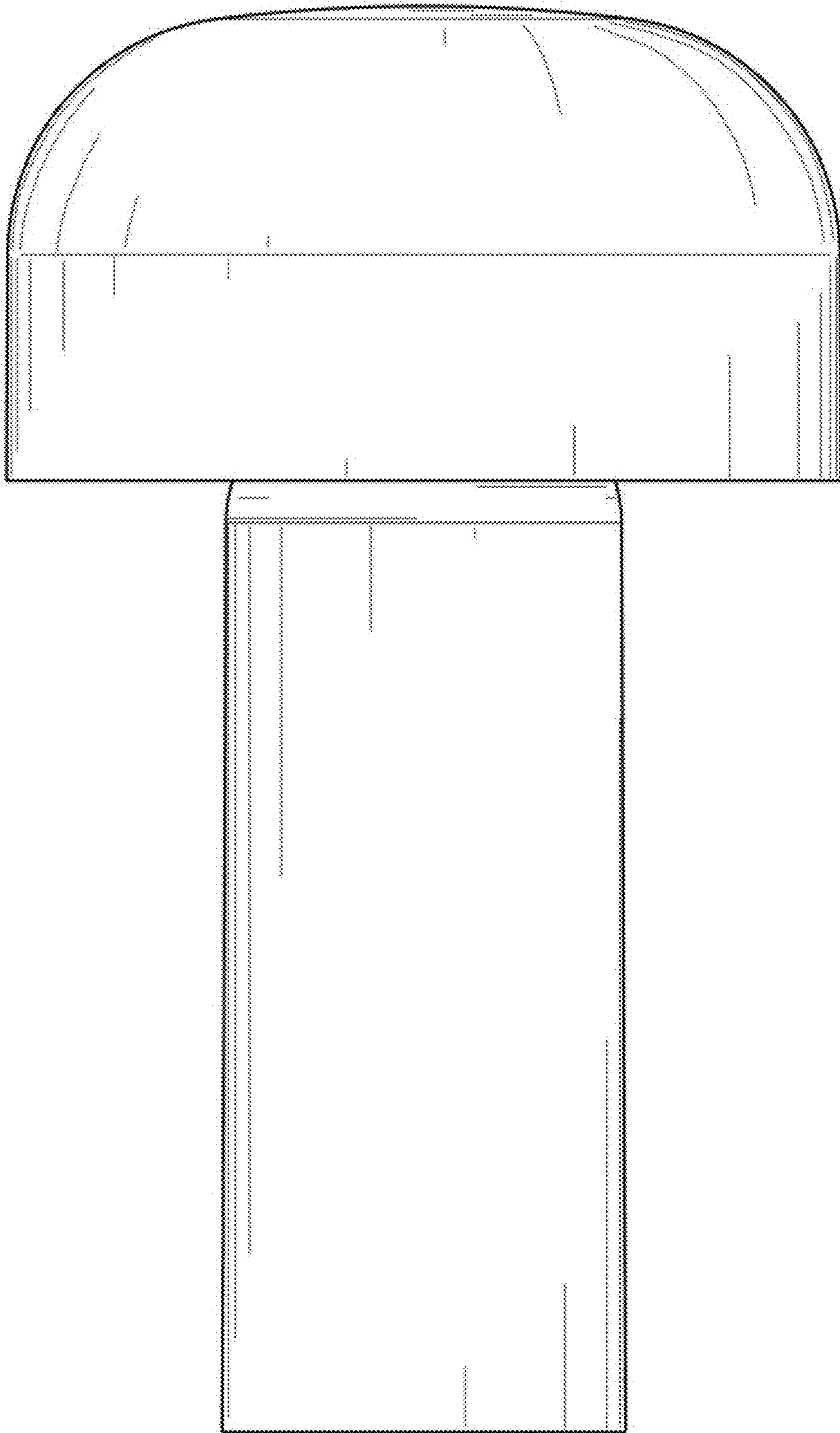
1.4



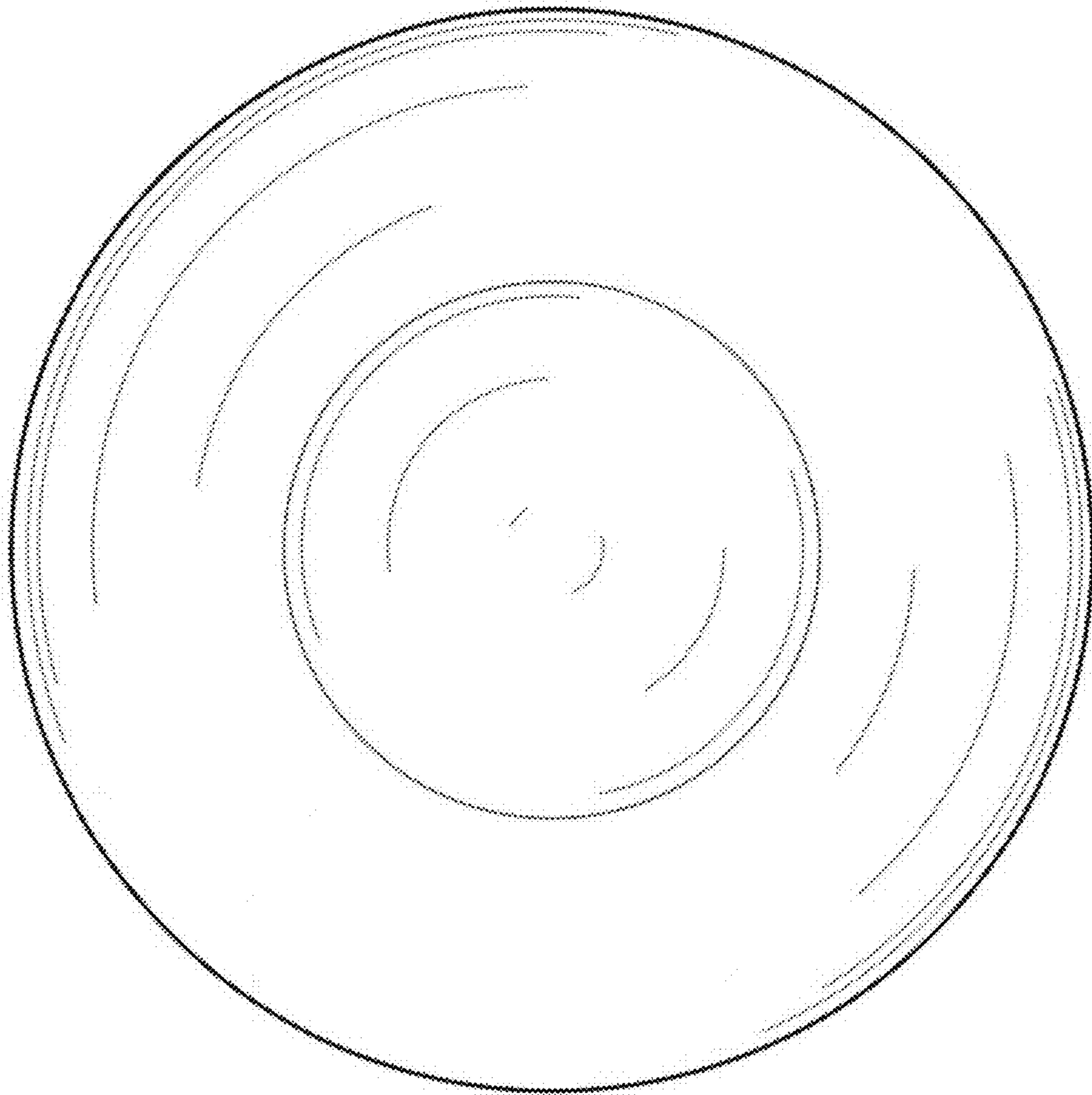
1.5



1.6



1.7



1.8

