



US00D828606S

(12) **United States Design Patent**
Johnson

(10) **Patent No.:** **US D828,606 S**

(45) **Date of Patent:** **** Sep. 11, 2018**

(54) **CIRCULAR LIGHT**

(71) Applicant: **London Johnson, Inc.**, New York, NY (US)

(72) Inventor: **Brian P. Johnson**, New York, NY (US)

(73) Assignee: **London Johnson, Inc.**, New York, NY (US)

(**) Term: **15 Years**

(21) Appl. No.: **29/573,376**

(22) Filed: **Aug. 4, 2016**

(51) **LOC (11) Cl.** **26-03**

(52) **U.S. Cl.**
USPC **D26/80**; D26/89

(58) **Field of Classification Search**
USPC D26/37, 72, 76, 80, 85, 89, 90
CPC F21S 8/03; F21S 8/033; F21S 8/04; F21S 8/06; F21S 8/061; F21S 8/063; F21W 2131/301; F21V 21/08; F21V 21/0808; F21V 21/096; F21V 21/0965
See application file for complete search history.

(56) **References Cited**

U.S. PATENT DOCUMENTS

1,561,554	A *	11/1925	Little	F21V 21/0965	211/DIG. 1
D443,713	S *	6/2001	Benensohn	D26/72	
D484,270	S *	12/2003	Yiu	D26/89	
D544,117	S *	6/2007	Coushaine	D26/37	
D544,618	S *	6/2007	Coushaine	D26/37	
D561,925	S	2/2008	Levine			
D581,081	S *	11/2008	Mier-Langner	D26/72	
D773,102	S *	11/2016	Meise	D26/89	
2006/0250789	A1 *	11/2006	Coushaine	F21S 9/02	362/157
2007/0047224	A1 *	3/2007	Lee	F21S 9/02	362/132

2008/0247160	A1 *	10/2008	Jiang	F21V 33/0012	362/227
2009/0059576	A1 *	3/2009	Coushaine	F21V 21/0965	362/205
2009/0086474	A1 *	4/2009	Chou	F21S 8/026	362/230
2009/0097238	A1 *	4/2009	Cousaine	F21S 9/02	362/191
2009/0279298	A1 *	11/2009	Mier-Langner	F21V 21/096	362/235
2011/0128723	A1 *	6/2011	Coleman	F21V 21/096	362/183
2011/0255274	A1 *	10/2011	Coleman	F21V 21/0965	362/183

(Continued)

OTHER PUBLICATIONS

Brilliant Evolution LED White Puck Light (3-Pack) No. BRRC 133 found at homedepot.com visited Feb. 5, 2018. (Year: 2018).*

(Continued)

Primary Examiner — Clare E Heflin
(74) *Attorney, Agent, or Firm* — Perkins Coie LLP

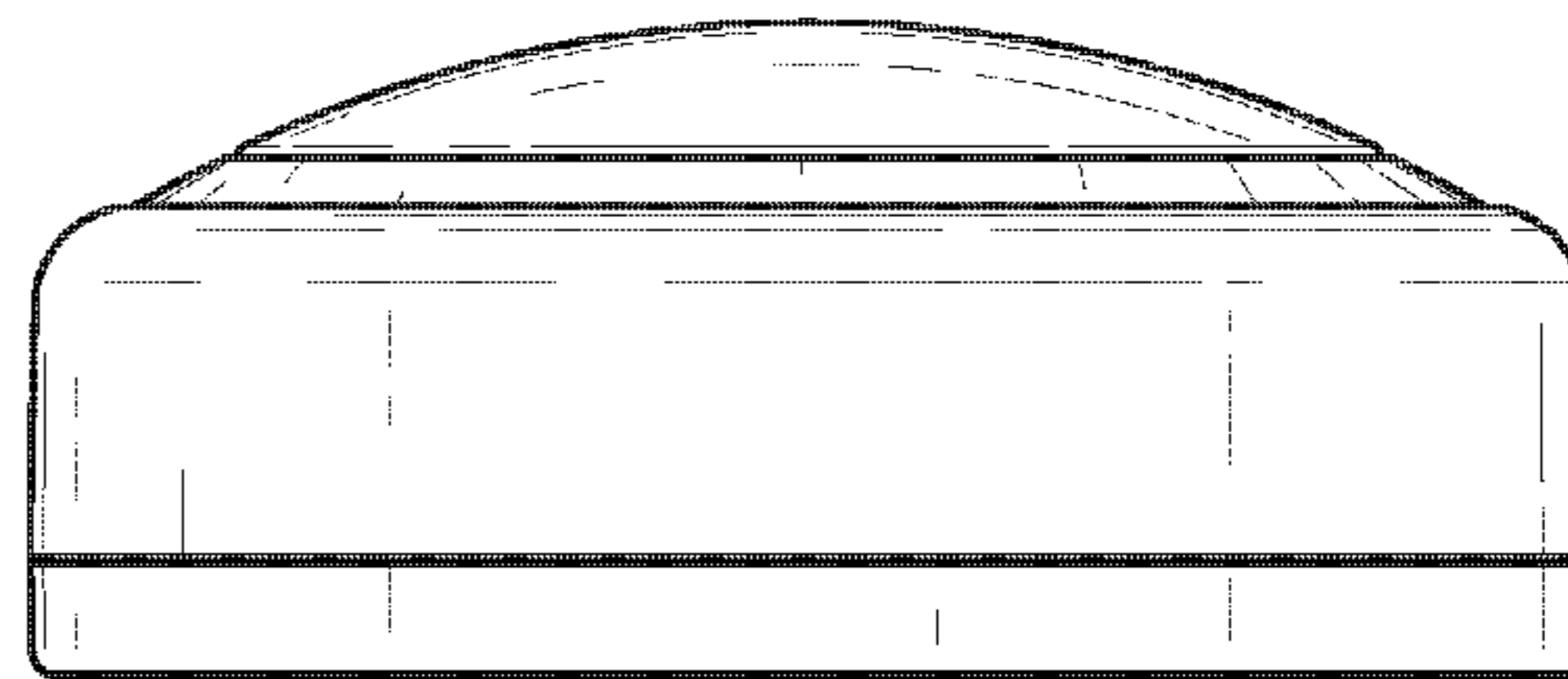
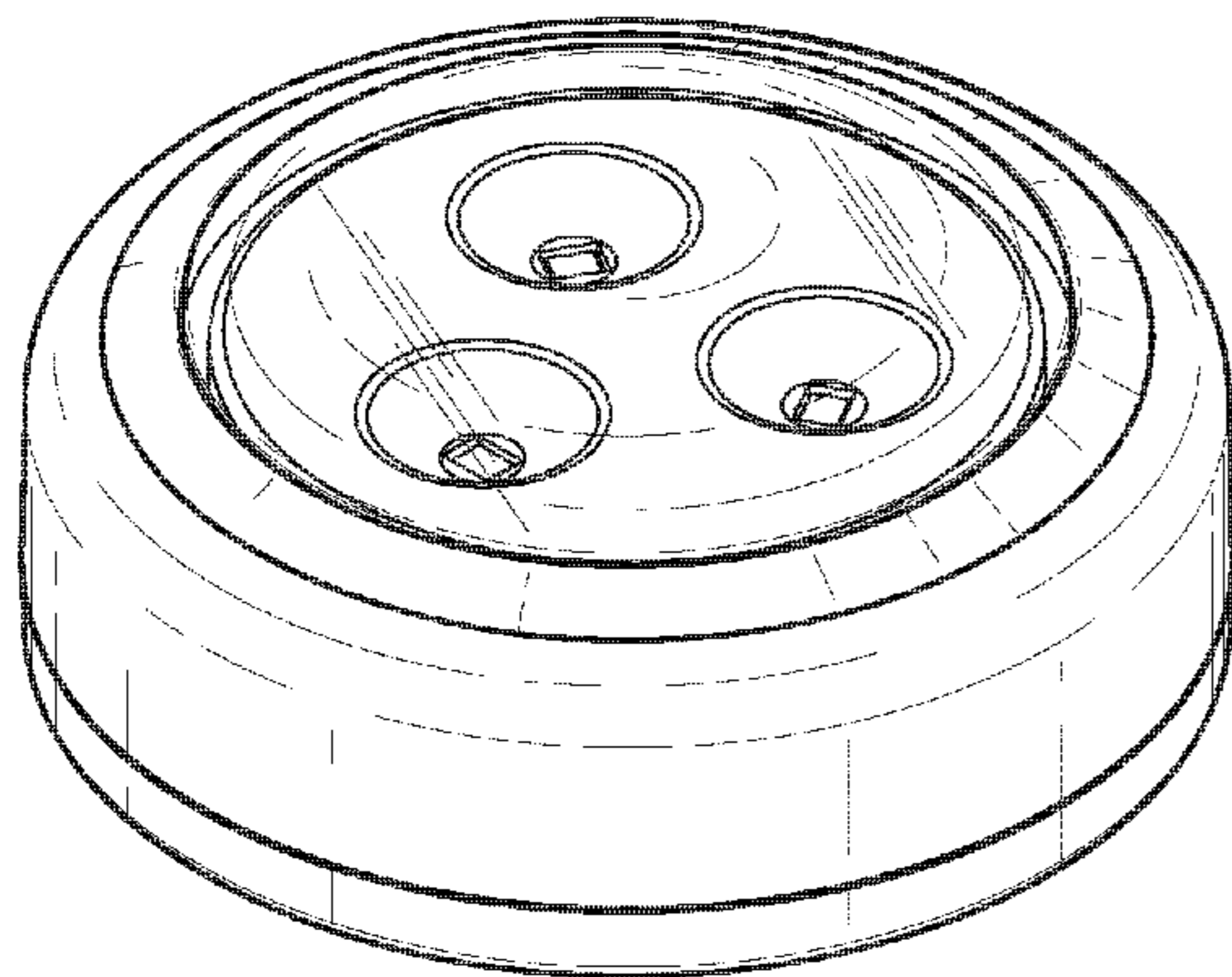
(57) **CLAIM**

The ornamental design for a circular light, as shown and described.

DESCRIPTION

FIG. 1 is a perspective view of a circular light showing my design, as viewed from the top and front. FIG. 2 is a front profile view thereof. FIG. 3 is a back profile view thereof. FIG. 4 is a first side profile view thereof. FIG. 5 is a second side profile view thereof. FIG. 6 is a top plan view thereof; and, FIG. 7 is a bottom plan view thereof. The details shown in broken lines illustrate features that form no part of the claimed design.

1 Claim, 3 Drawing Sheets



(56)

References Cited

U.S. PATENT DOCUMENTS

2014/0313700 A1* 10/2014 Connell F21V 33/0072
362/130
2017/0248291 A1* 8/2017 Hsu F21V 19/02

OTHER PUBLICATIONS

Commercial Electric 2.99 in. LED White Battery Operated Puck Light (3-Pack), Model No. BA002 WH, found at homedepot.com, visited Feb. 5, 2018. (Year: 2018).*

Under Cabinet Puck Light—Lighting Avenue SKU: UHD285-UGE1049 by Nu Lighting and Living. Found at nulighting.com.au visited Feb. 20, 2018. (Year: 2018).*

* cited by examiner

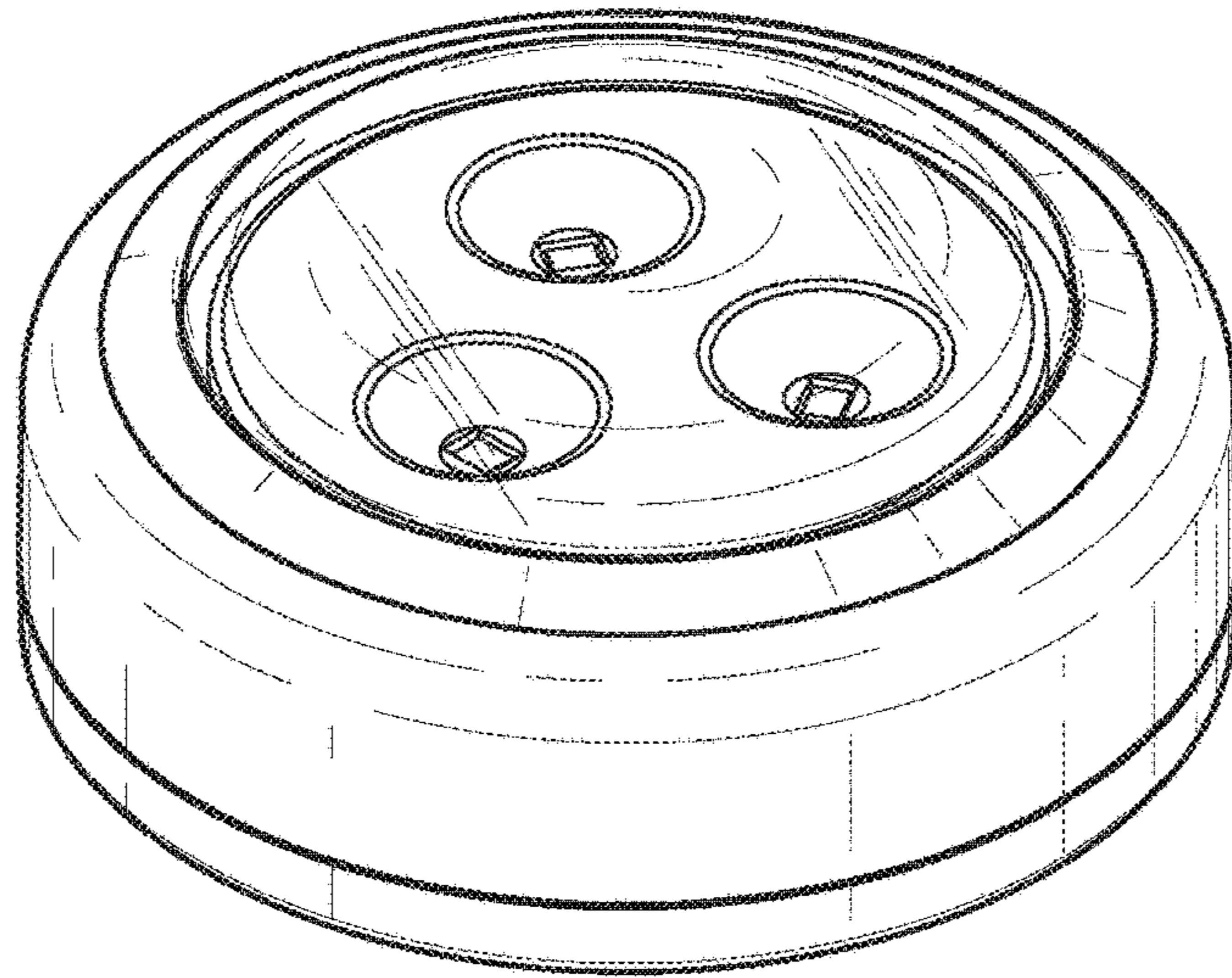


Fig. 1

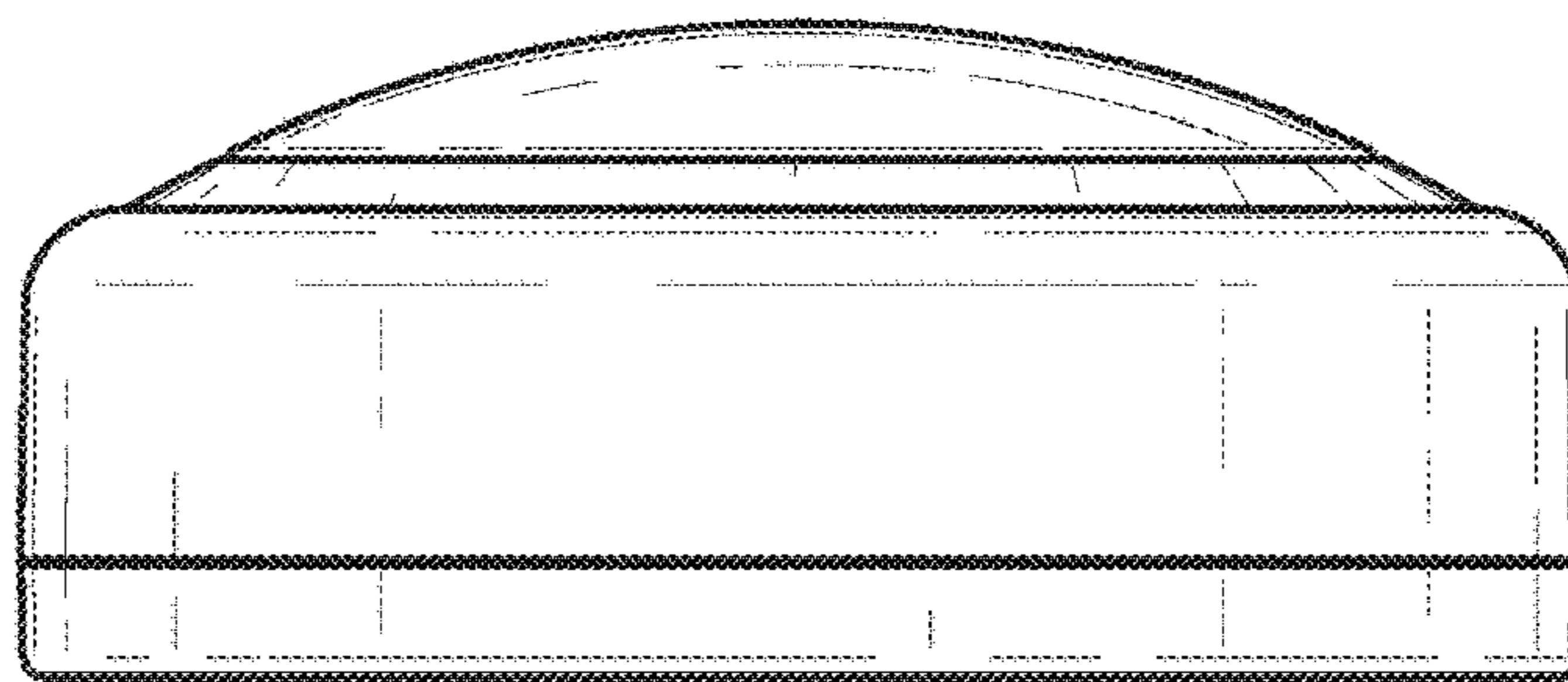


Fig. 2

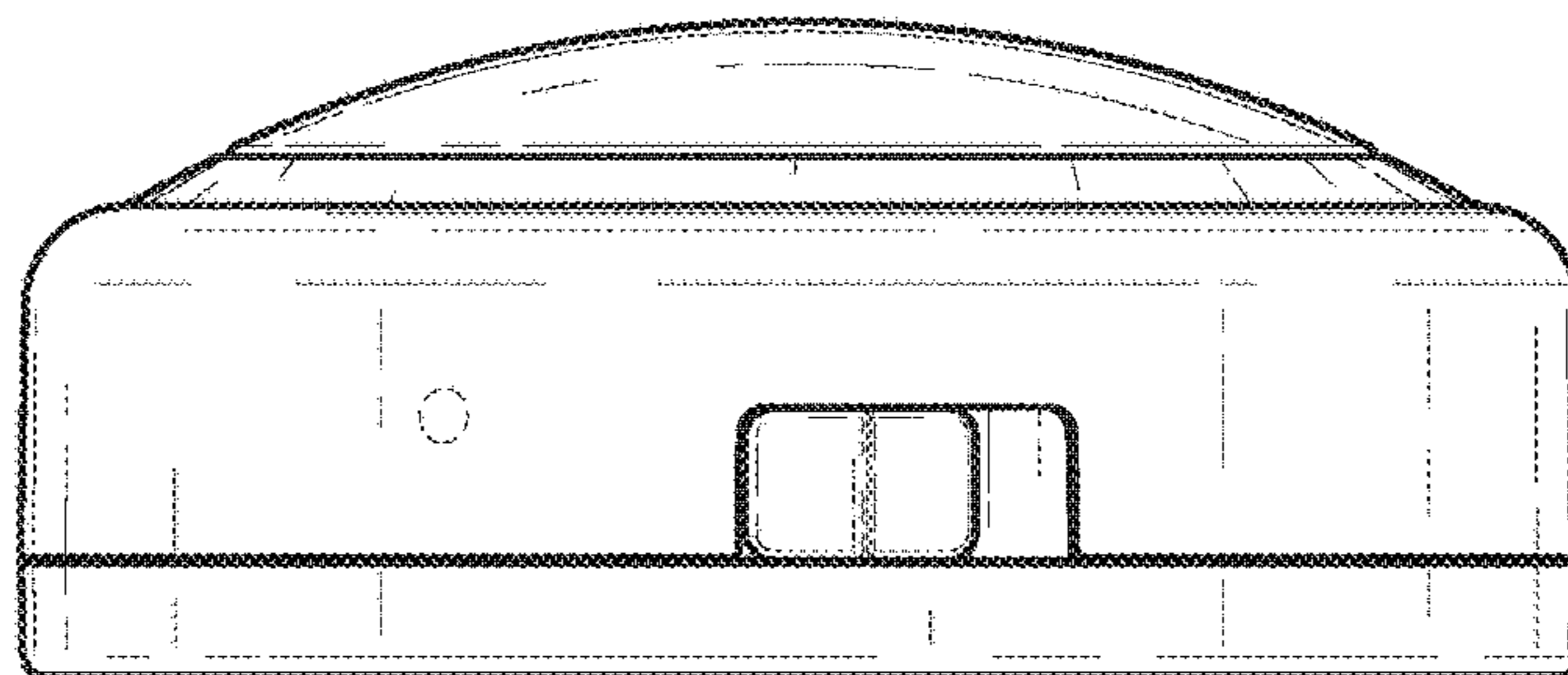


Fig. 3

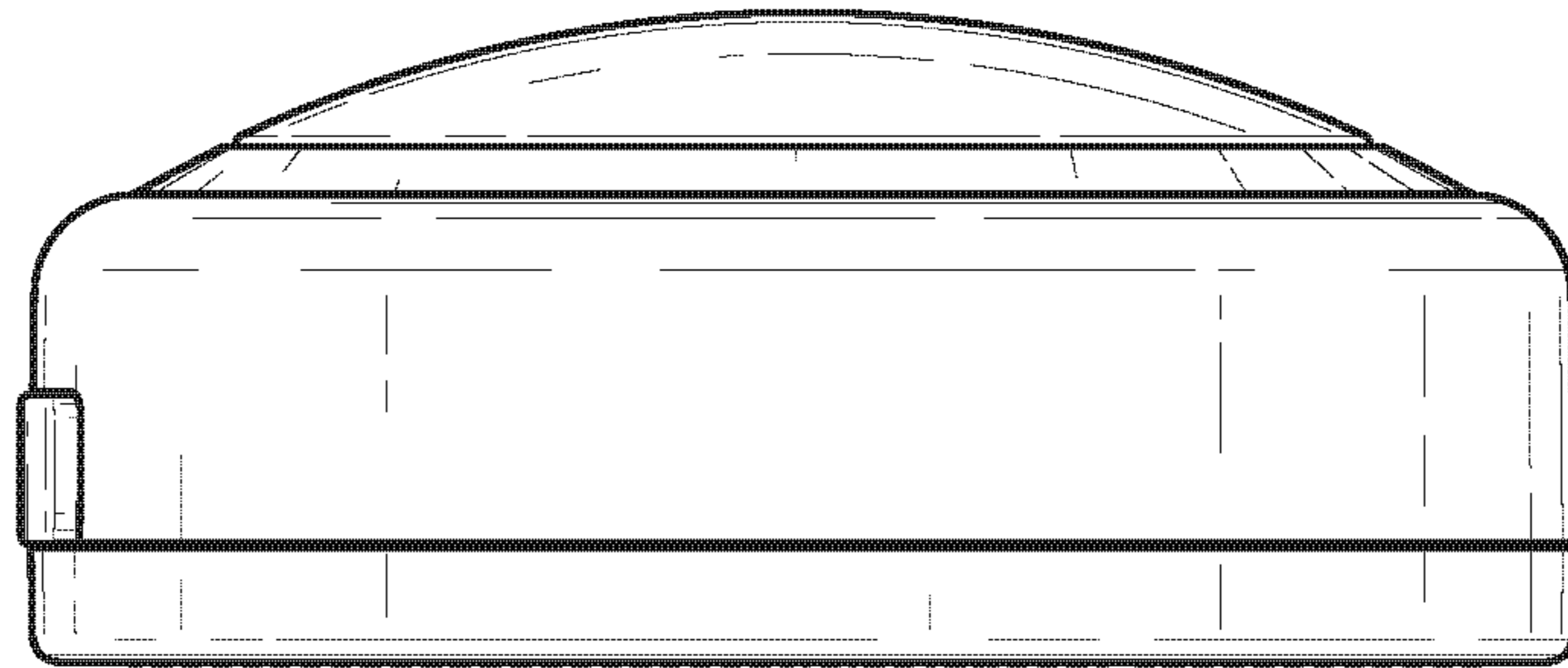


Fig. 4

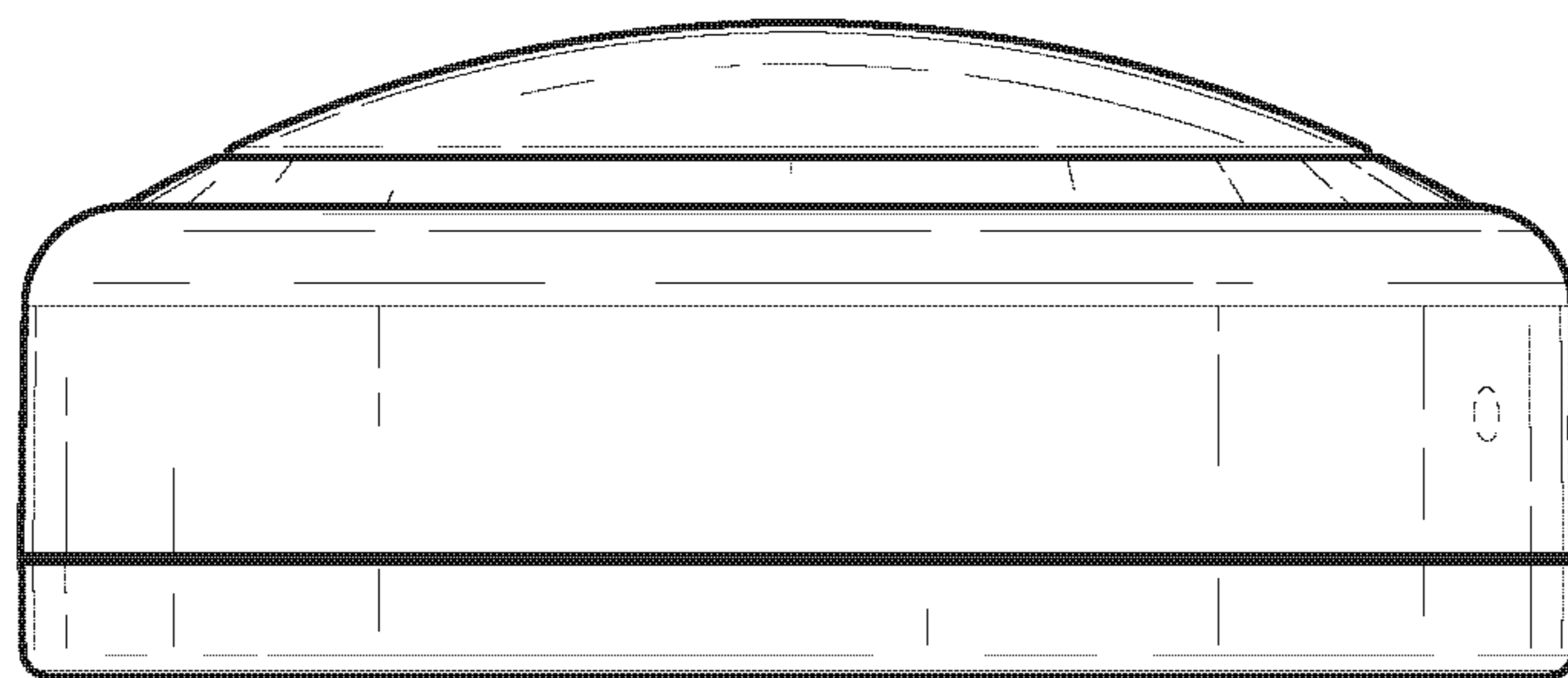


Fig. 5

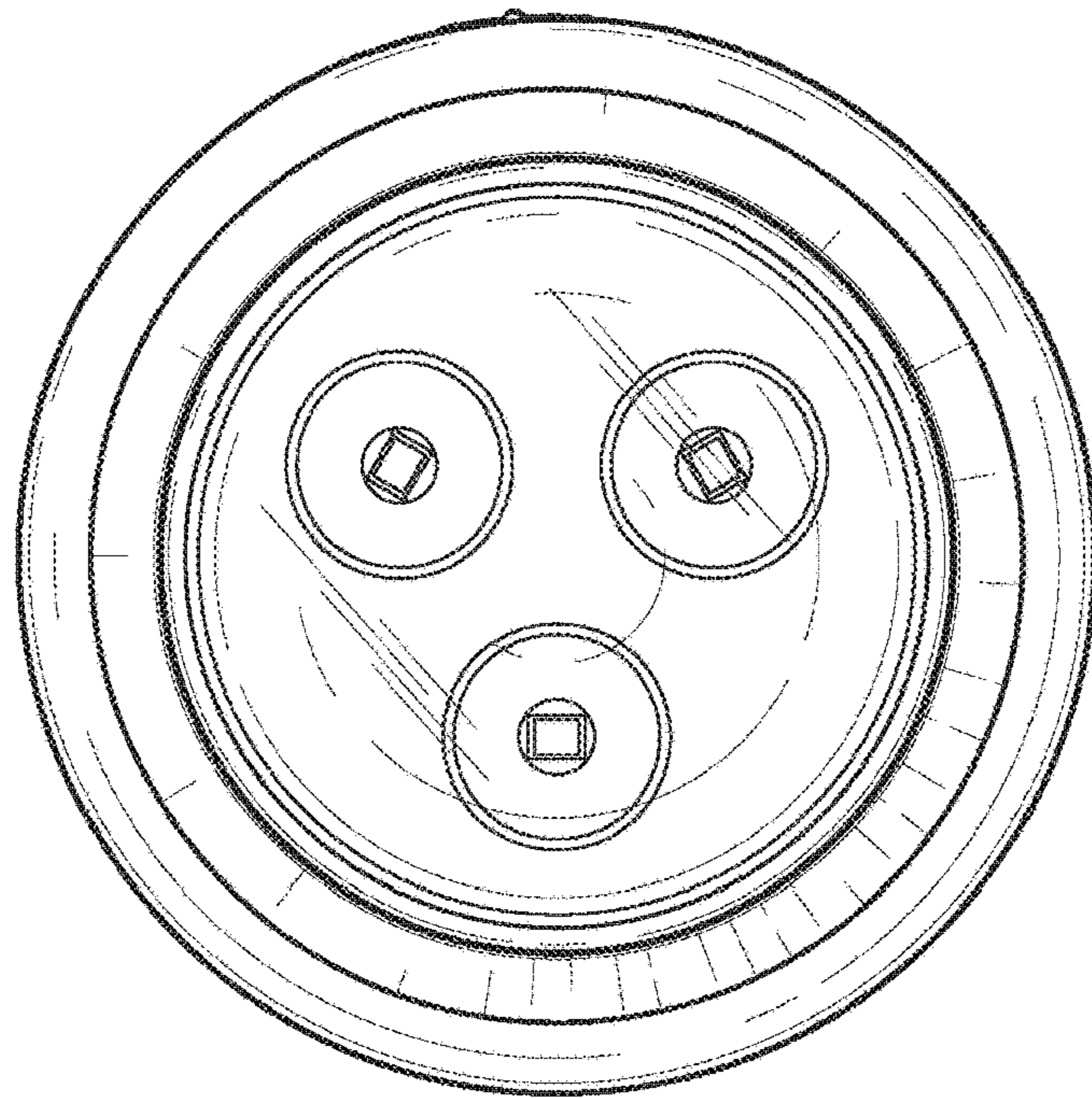


Fig. 6

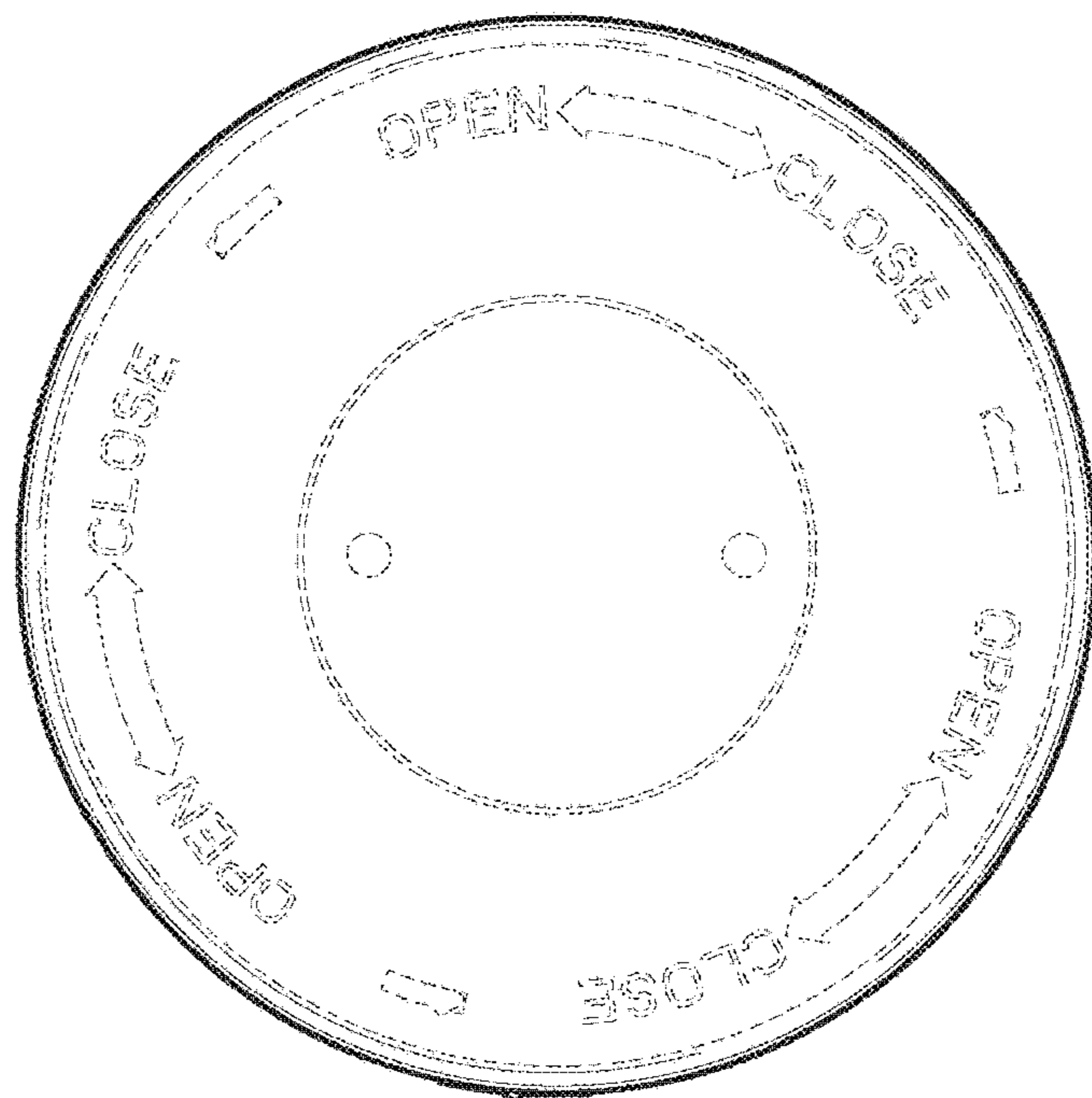


Fig. 7