



US00D828605S

(12) **United States Design Patent**
Wronski et al.

(10) **Patent No.:** **US D828,605 S**

(45) **Date of Patent:** **** Sep. 11, 2018**

(54) **RECESSED LUMINAIRE HOUSING AND JUNCTION BOX**

(71) Applicant: **Cooper Technologies Company,**
Houston, TX (US)

(72) Inventors: **Grzegorz Wronski,** Peachtree City, GA (US); **Zhihong Lin,** Shanghai (CN); **Steven Pysnos,** Peachtree City, GA (US)

(73) Assignee: **Cooper Technologies Company,**
Houston, TX (US)

(**) Term: **15 Years**

(21) Appl. No.: **29/602,932**

(22) Filed: **May 4, 2017**

(51) **LOC (11) Cl.** **26-05**

(52) **U.S. Cl.**
USPC **D26/74**

(58) **Field of Classification Search**
USPC D26/74, 72, 75, 76, 77, 78, 85, 88, 89,
D26/118, 138, 141; 362/364, 365, 373,
362/145, 146, 147, 148, 150, 153, 153.1,
362/294, 296.01, 296.07, 296.08
See application file for complete search history.

(56) **References Cited**

U.S. PATENT DOCUMENTS

D384,431 S *	9/1997	Bitton	D26/74
5,664,869 A *	9/1997	Bitton	F21S 8/02 362/147
D545,988 S *	7/2007	Goetz-Schaefer	D26/71
D558,377 S *	12/2007	Rashidi	D26/74
D558,378 S *	12/2007	Rashidi	D26/74
D601,740 S *	10/2009	Seo	D26/74

D618,376 S *	6/2010	Redfern	D26/92
D632,822 S *	2/2011	Bitton	D26/74
D636,922 S *	4/2011	Yoshida	D26/74
8,273,998 B2	9/2012	Drane	
8,575,484 B1	11/2013	Witherbee	
9,391,416 B1	7/2016	Wronski	
D782,721 S *	3/2017	Cohen	D26/74
D809,698 S *	2/2018	Benghozi	D26/74
2016/0230969 A1 *	8/2016	Pelletier	F21V 23/008
2017/0350582 A1 *	12/2017	Benghozi	F21V 25/12

OTHER PUBLICATIONS

Eaton, Halo, H995RICAT, 4-Inch Remodel Insulated Ceiling AIR-TIT, Product Spec Sheet, Jan. 26, 2017.

* cited by examiner

Primary Examiner — Angela J Lee

(74) *Attorney, Agent, or Firm* — King & Spalding LLP

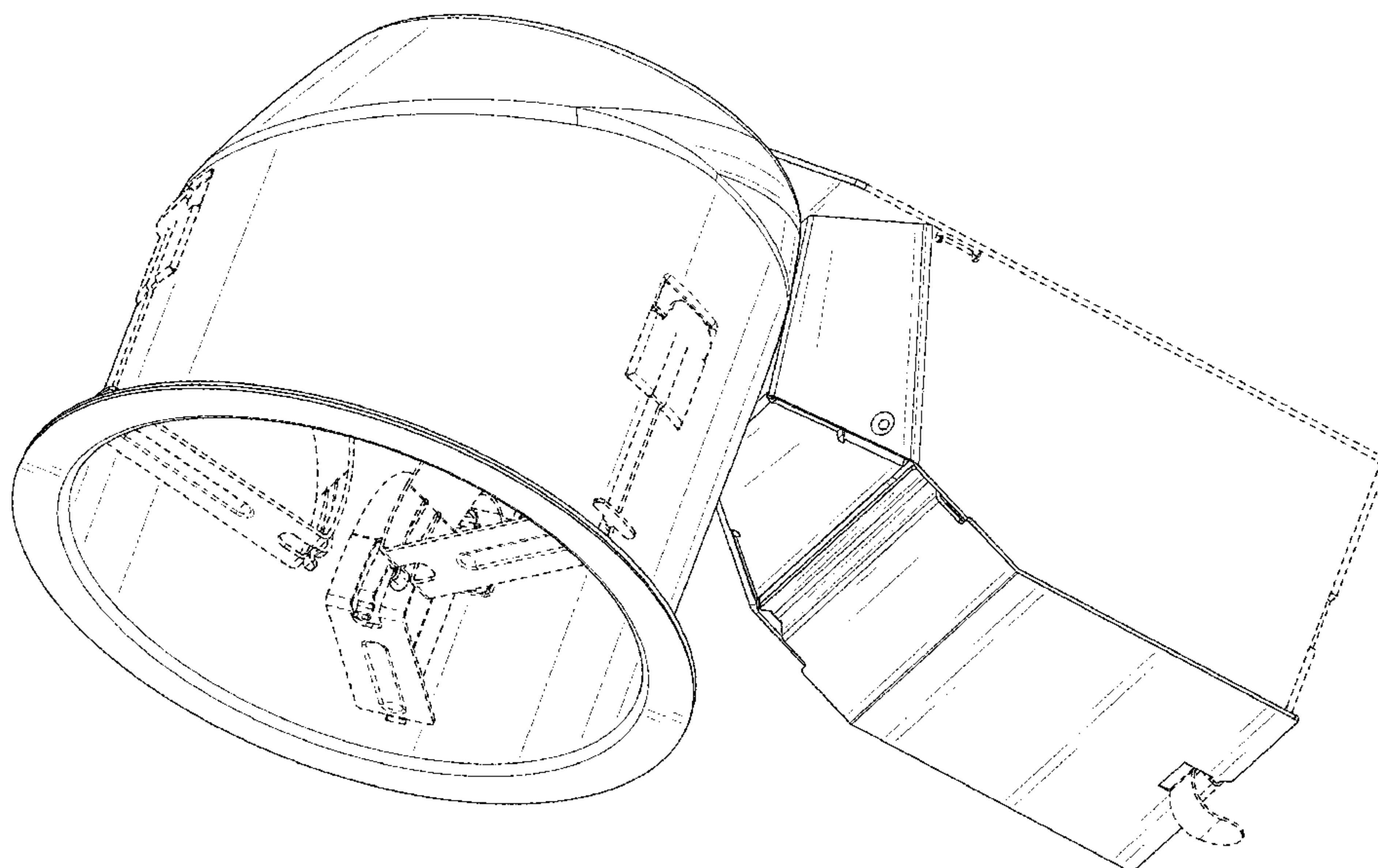
(57) **CLAIM**

The ornamental design for a recessed luminaire housing and junction box, as shown and described.

DESCRIPTION

FIG. 1 is a top perspective view of a recessed luminaire housing and junction box showing the new design; FIG. 2 is a bottom perspective view thereof; FIG. 3 is a bottom plan view thereof; FIG. 4 is a top plan view thereof; FIG. 5 is a front elevation view thereof; FIG. 6 is a rear elevation view thereof; FIG. 7 is a right side elevation view thereof; and, FIG. 8 is a left side elevation view thereof. The broken lines shown represent unclaimed portions of the recessed luminaire housing and junction box and form no part of the claimed design.

1 Claim, 8 Drawing Sheets



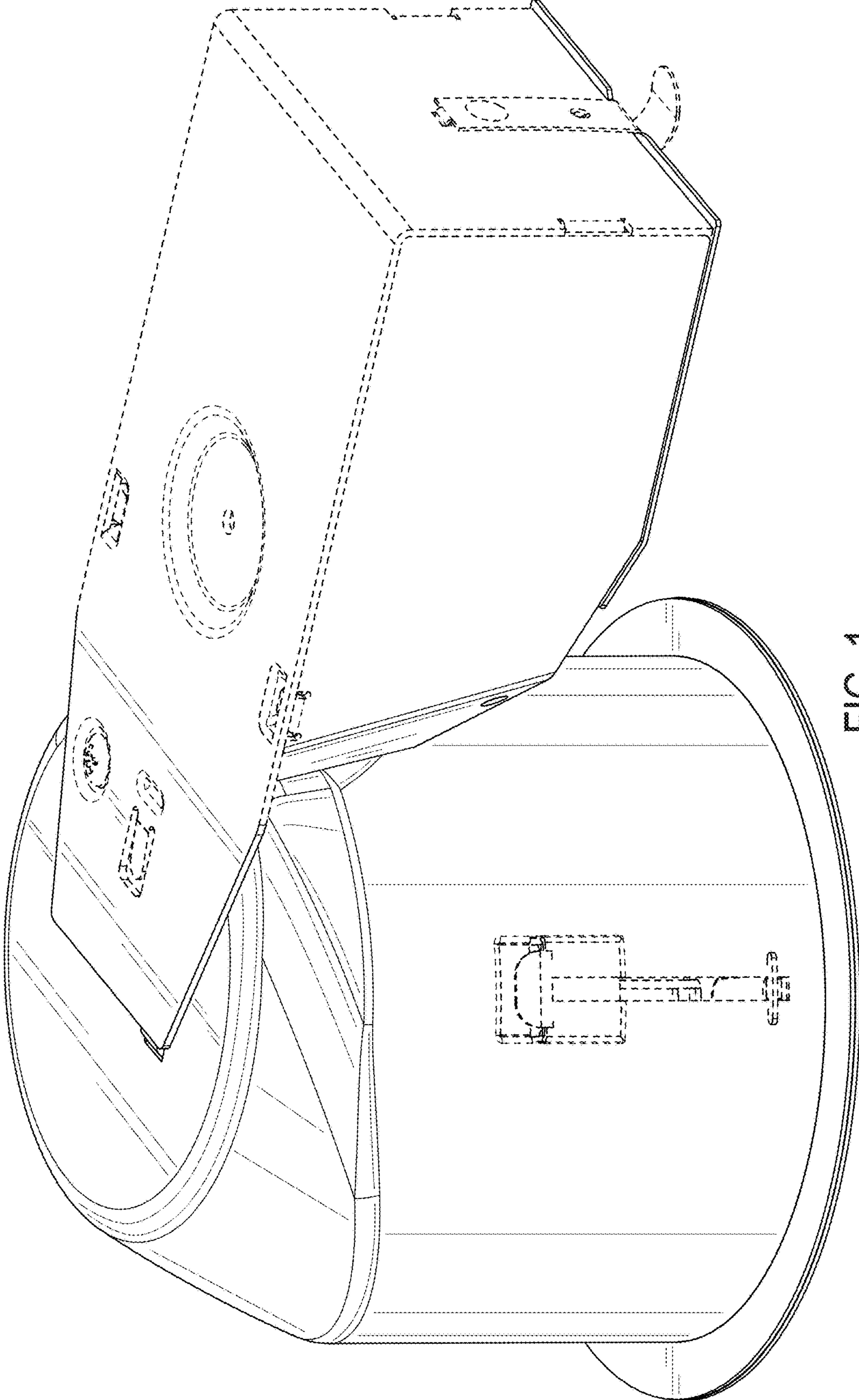


FIG. 1

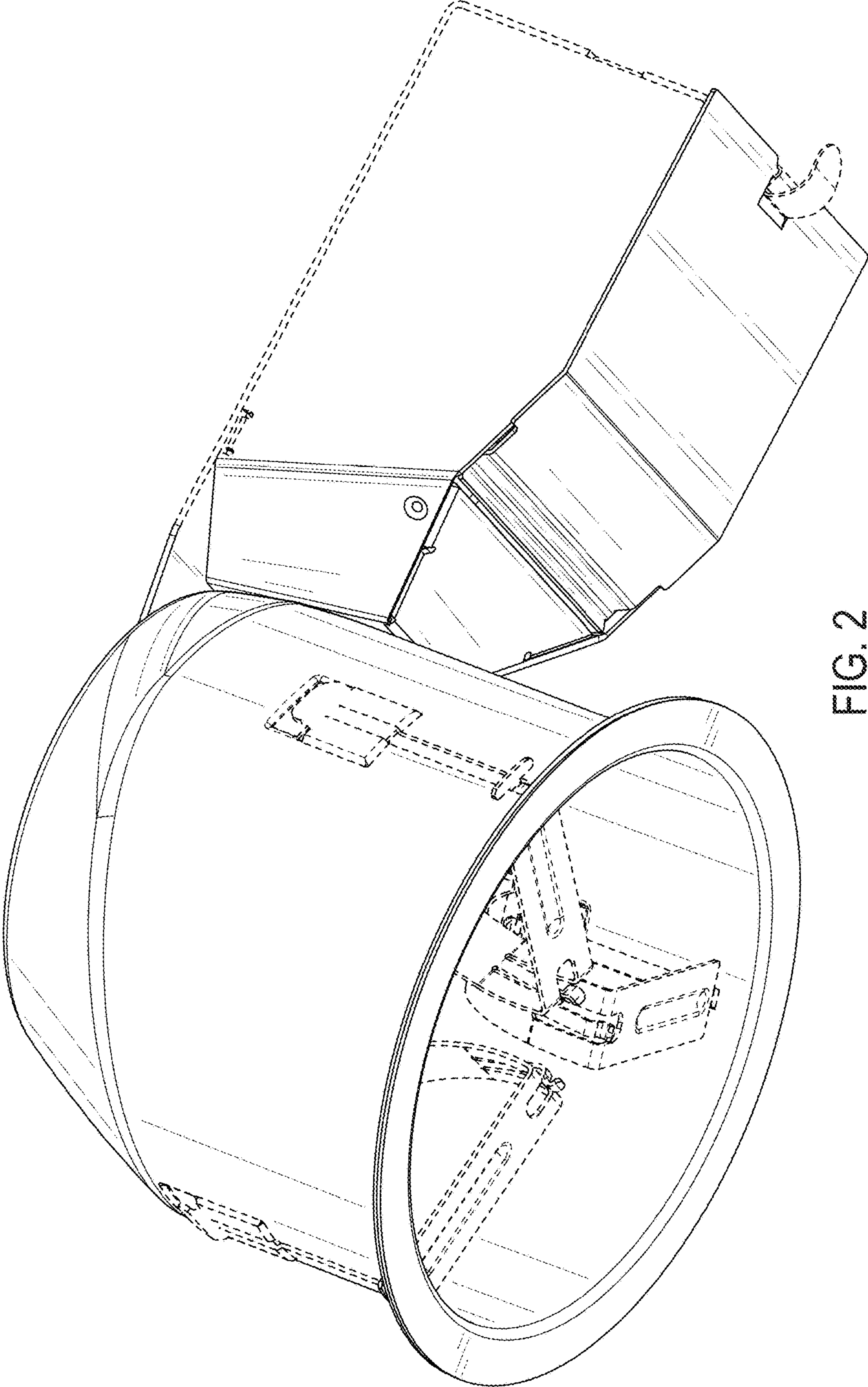


FIG. 2

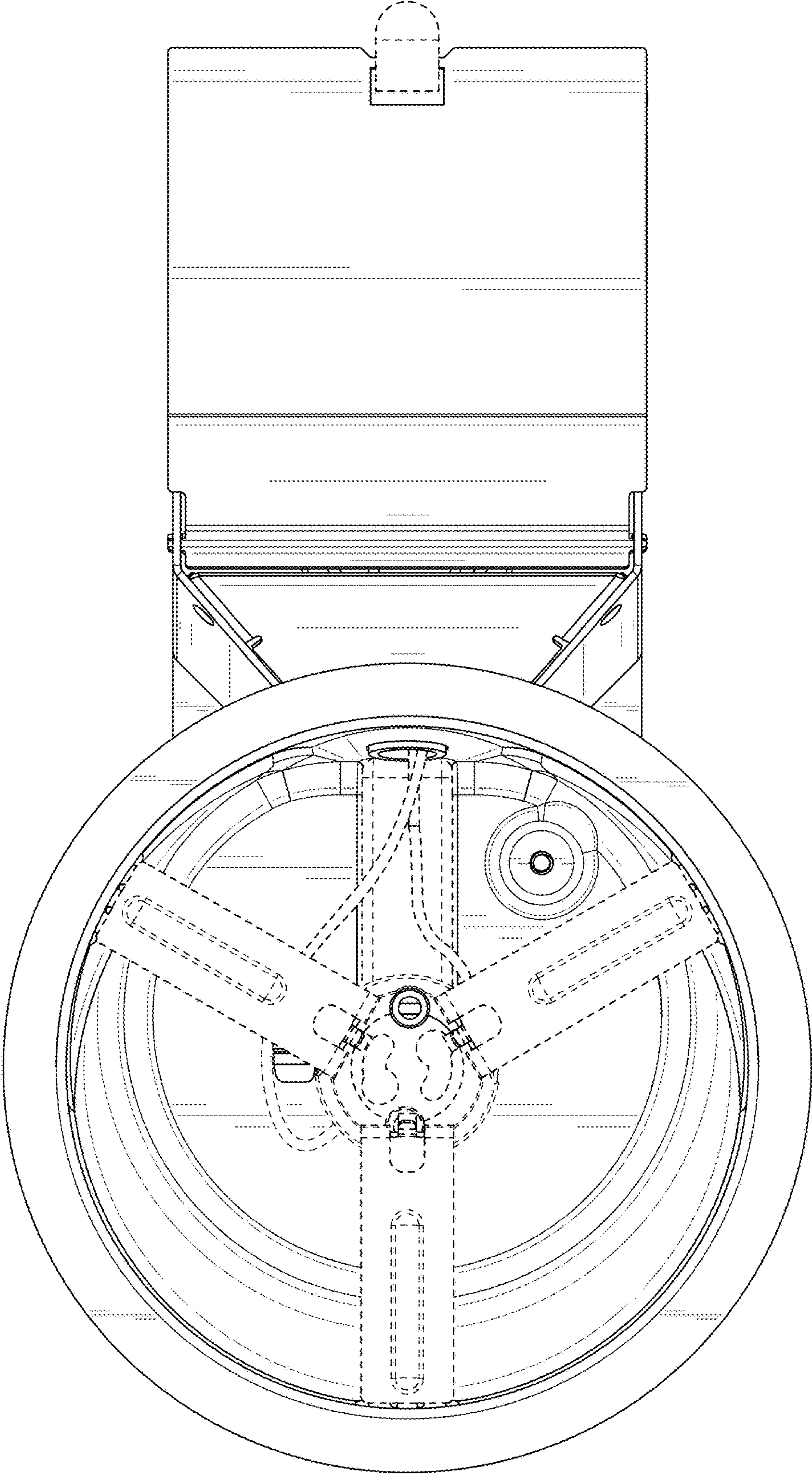


FIG. 3

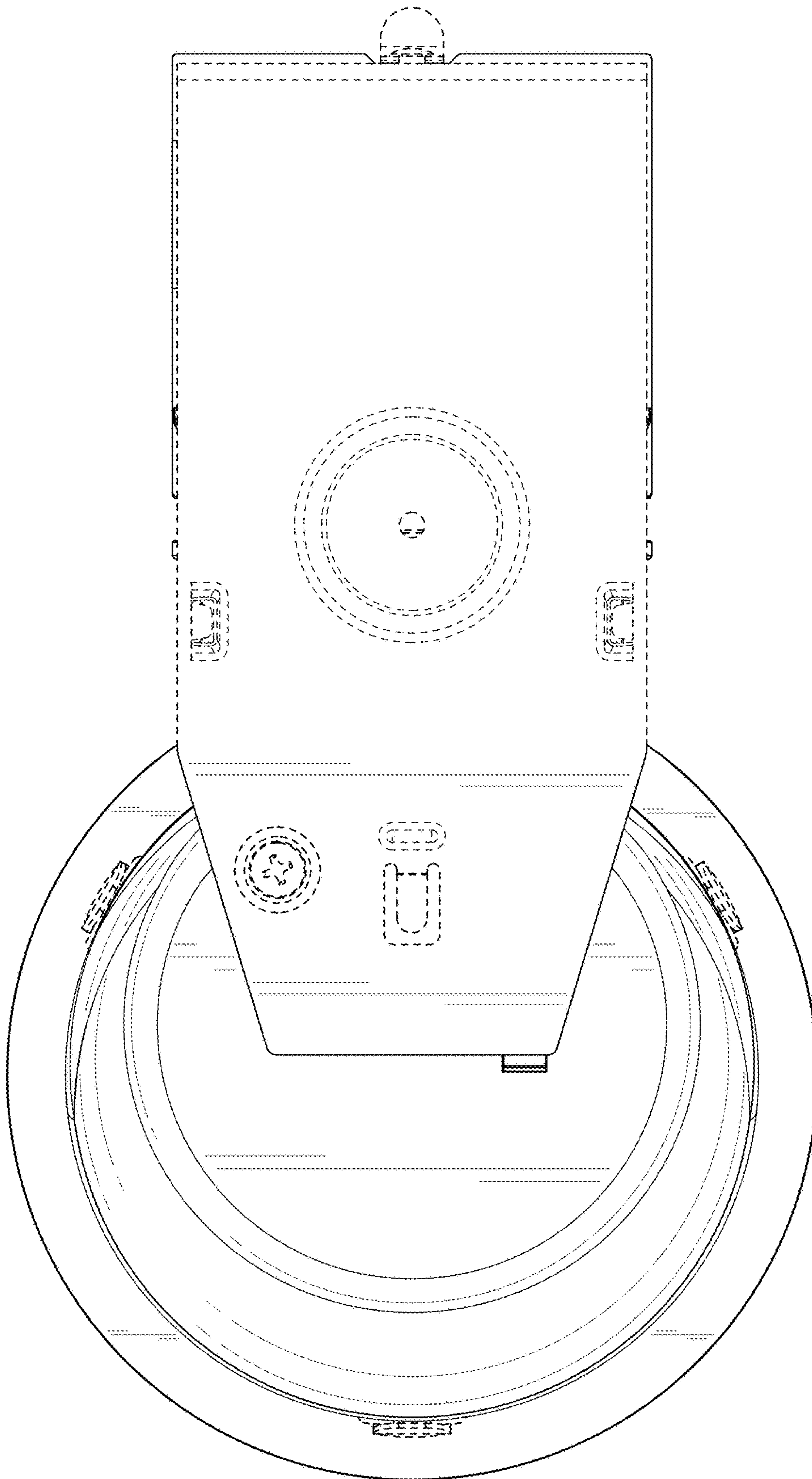


FIG. 4

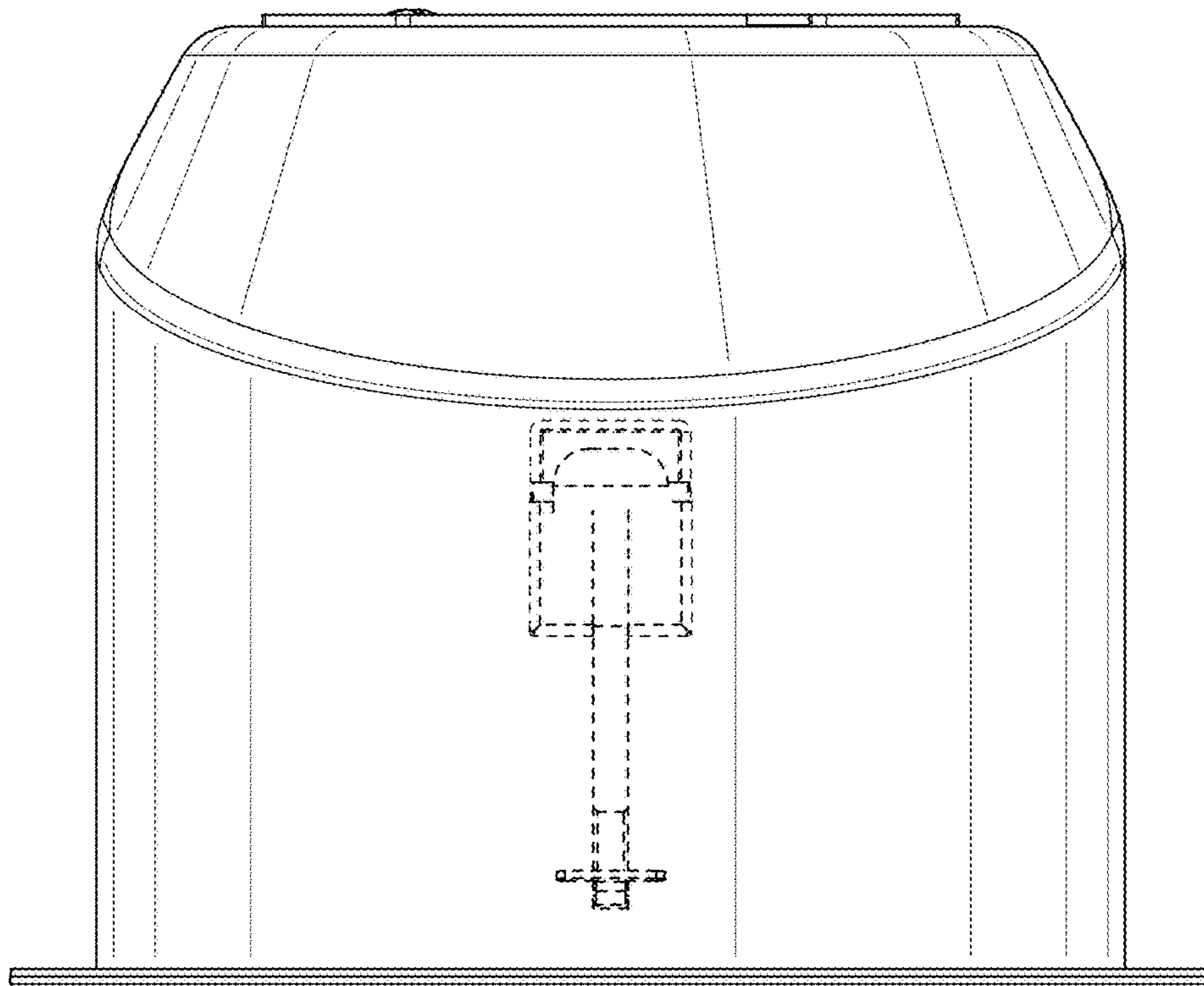


FIG. 5

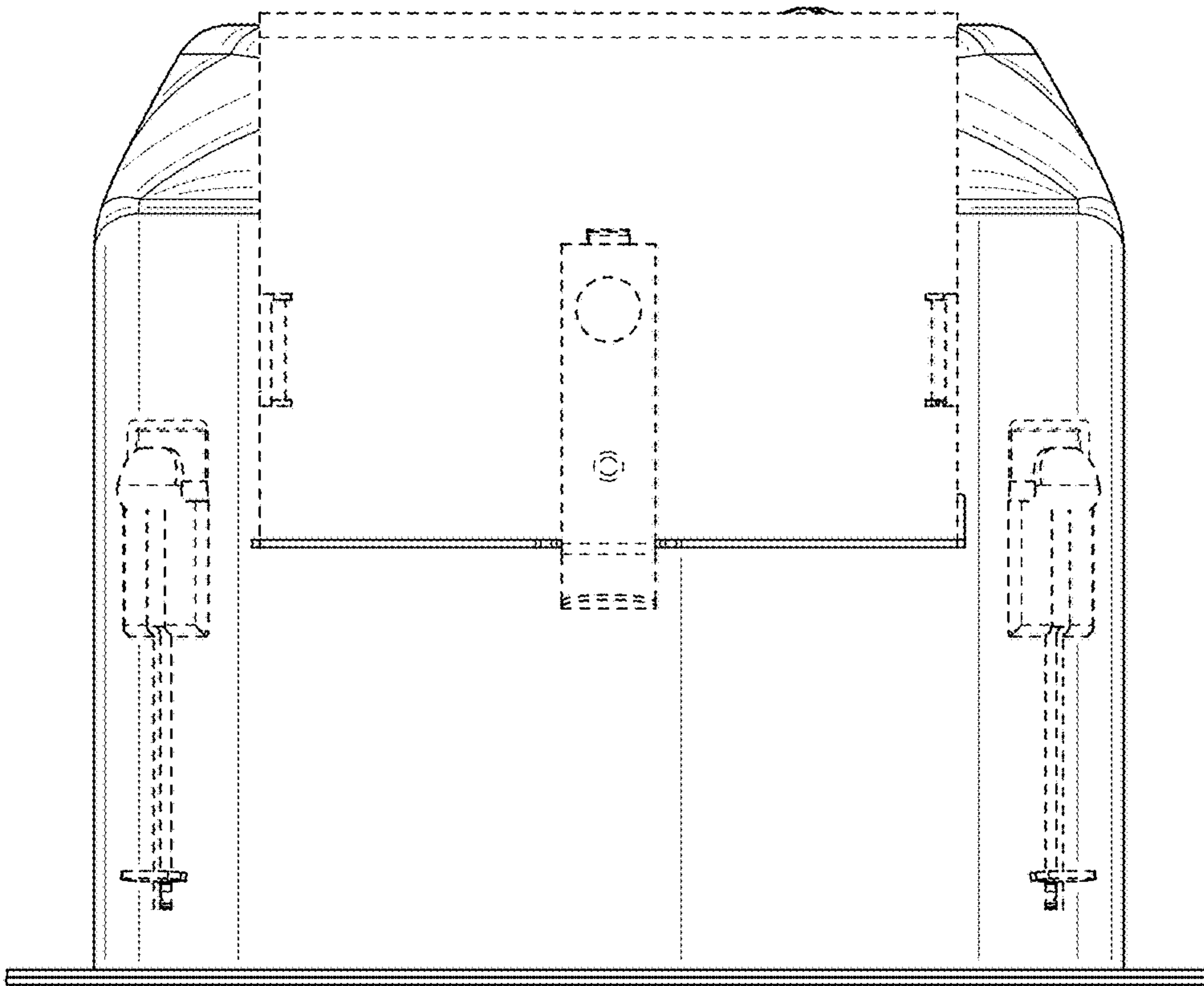


FIG. 6

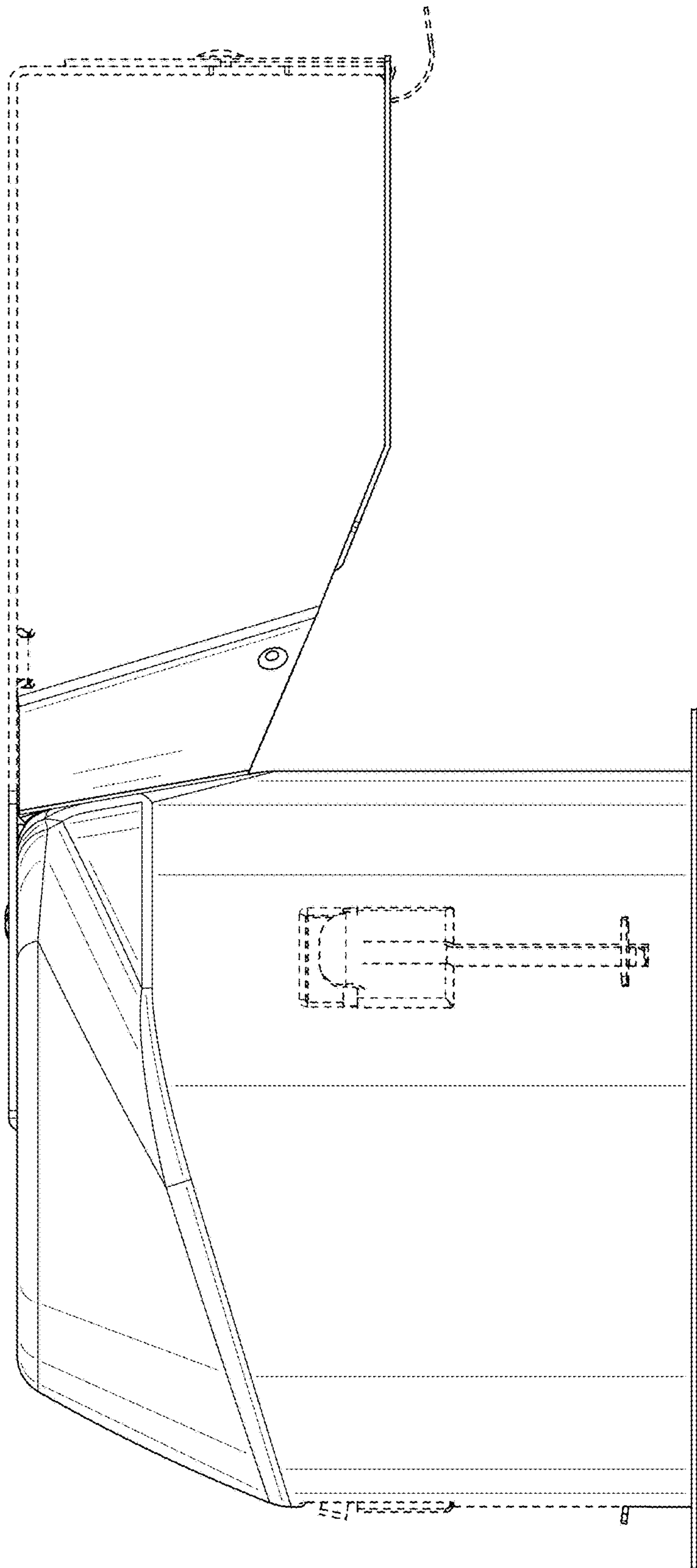


FIG. 7

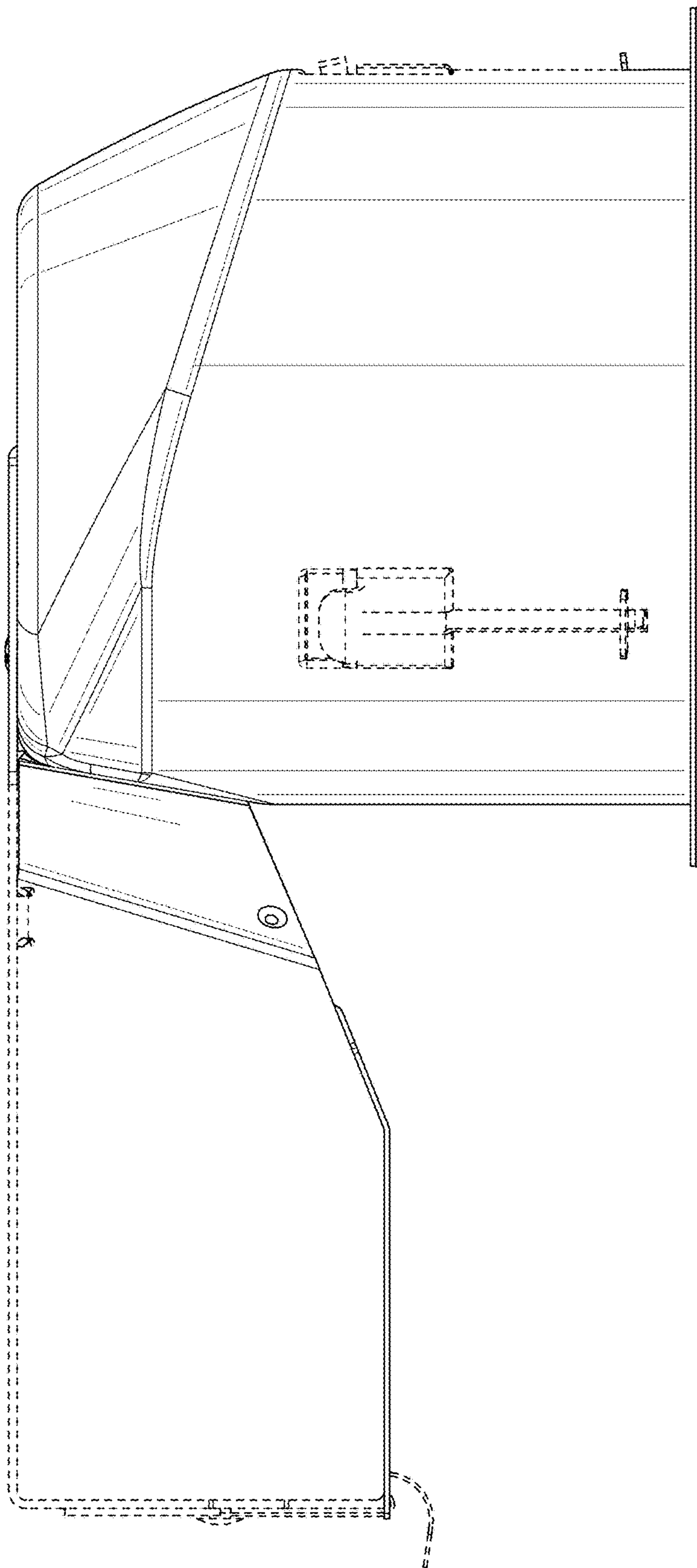


FIG. 8