



US00D828604S

(12) **United States Design Patent**
Bobel

(10) **Patent No.:** **US D828,604 S**

(45) **Date of Patent:** **** Sep. 11, 2018**

- (54) **LIGHT FIXTURE**
- (71) Applicant: **Neptun Light, Inc.**, Lake Forest, IL (US)
- (72) Inventor: **Andrzej Bobel**, Lake Forest, IL (US)
- (**) Term: **15 Years**
- (21) Appl. No.: **29/571,335**
- (22) Filed: **Jul. 18, 2016**
- (51) **LOC (11) Cl.** **26-05**
- (52) **U.S. Cl.**
USPC **D26/71**
- (58) **Field of Classification Search**
USPC D26/67-72, 92
CPC .. F21S 8/033; F21S 8/036; F21S 8/085; F21S 8/086; F21S 8/088; F21W 2111/02; F21W 2111/023; F21W 2131/101; F21W 2131/103; F21W 2131/1005; F21W 2131/107; F21V 29/503; F21V 29/745; F21V 29/75; F21V 29/76; F21V 29/763; F21V 29/767; F21V 29/77; F21V 29/78
See application file for complete search history.

- (56) **References Cited**
U.S. PATENT DOCUMENTS
7,420,811 B2 * 9/2008 Chan F21V 29/004 361/707
7,521,852 B2 * 4/2009 Choi F21V 23/02 313/318.01
D599,940 S * 9/2009 Zheng D26/71
D642,724 S * 8/2011 Galipeau D26/71
D646,419 S * 10/2011 Chiang D26/71

- 8,057,078 B1 * 11/2011 Ko F21S 8/088 116/173
- D660,493 S * 5/2012 Janssen D26/71
- D660,495 S * 5/2012 Walker D26/71
- D683,878 S * 6/2013 Ruffalo D26/71
- D694,449 S * 11/2013 Walker D26/63
- D708,379 S * 7/2014 Ruffalo D26/71
- D708,380 S * 7/2014 Ruffalo D26/71
- D718,483 S * 11/2014 Meredith D26/71
- D719,696 S * 12/2014 Zhang D26/71
- 9,028,087 B2 * 5/2015 Wilcox F21V 27/00 362/101
- D780,360 S * 2/2017 Bobel D26/71
- 9,638,403 B1 * 5/2017 Marshal F21V 21/108
- 2010/0072897 A1 * 3/2010 Zheng F21S 2/005 315/113

* cited by examiner

Primary Examiner — Clare E Hefflin

(74) *Attorney, Agent, or Firm* — Kundu PLLC

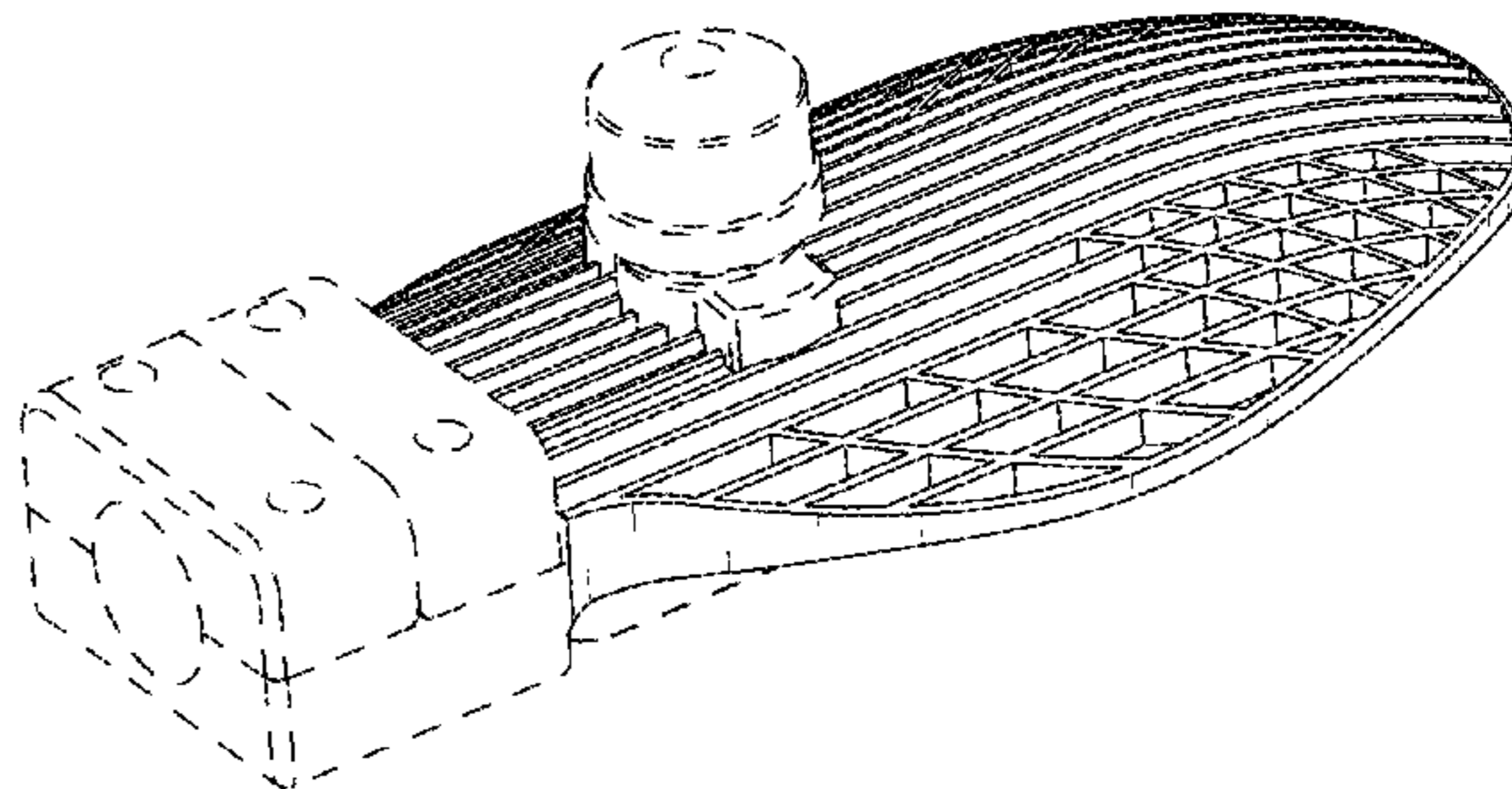
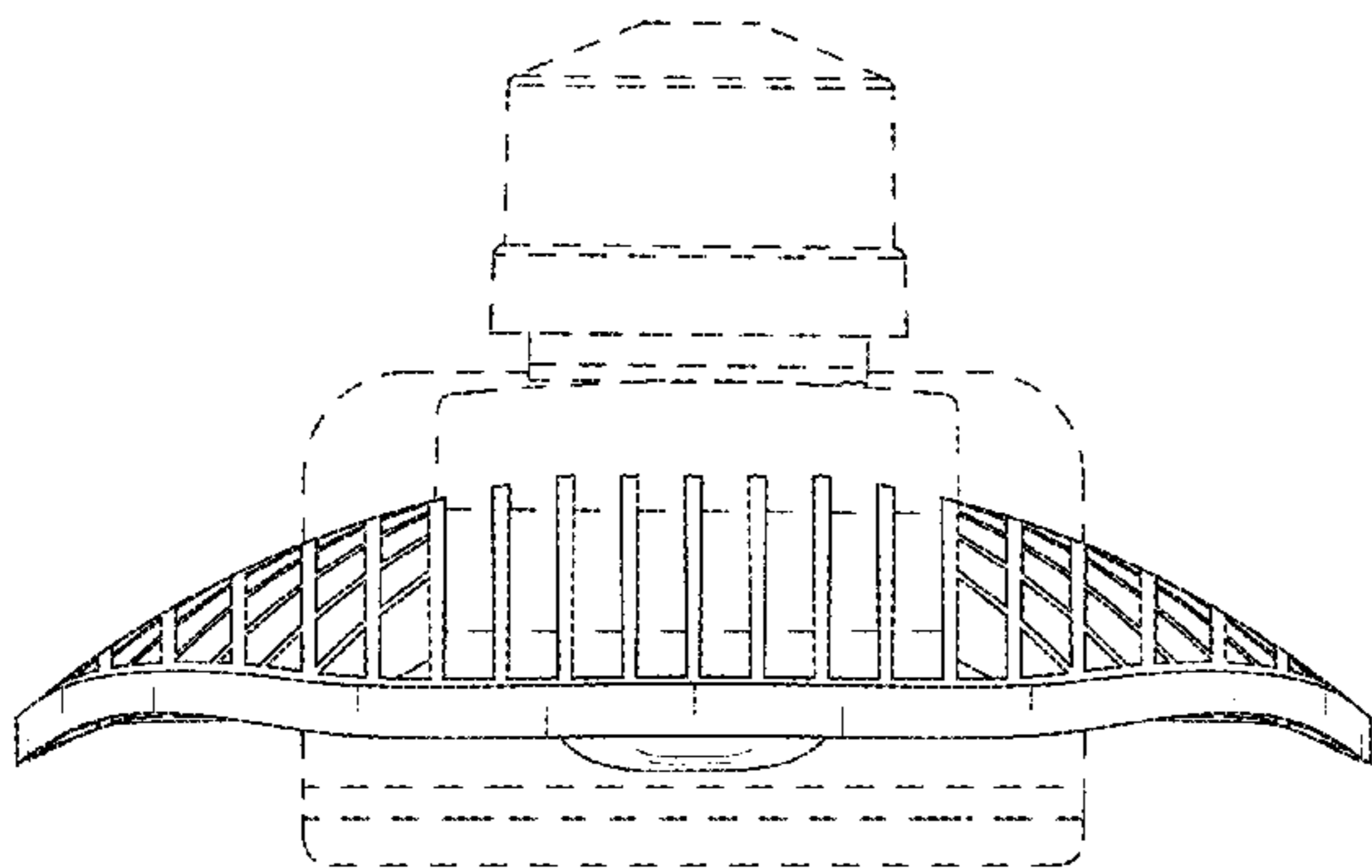
(57) **CLAIM**

The ornamental design for a light fixture, as shown and described.

DESCRIPTION

FIG. 1 is a top side view of light fixture showing the claimed design;
 FIG. 2 is a bottom side view thereof;
 FIG. 3 is a right side view thereof;
 FIG. 4 is a left side view thereof;
 FIG. 5 is a rear side view thereof;
 FIG. 6 is a front side view thereof; and,
 FIG. 7 is a bottom perspective view thereof.
 The broken line disclosure represents unclaimed portions of the light fixture.

1 Claim, 7 Drawing Sheets



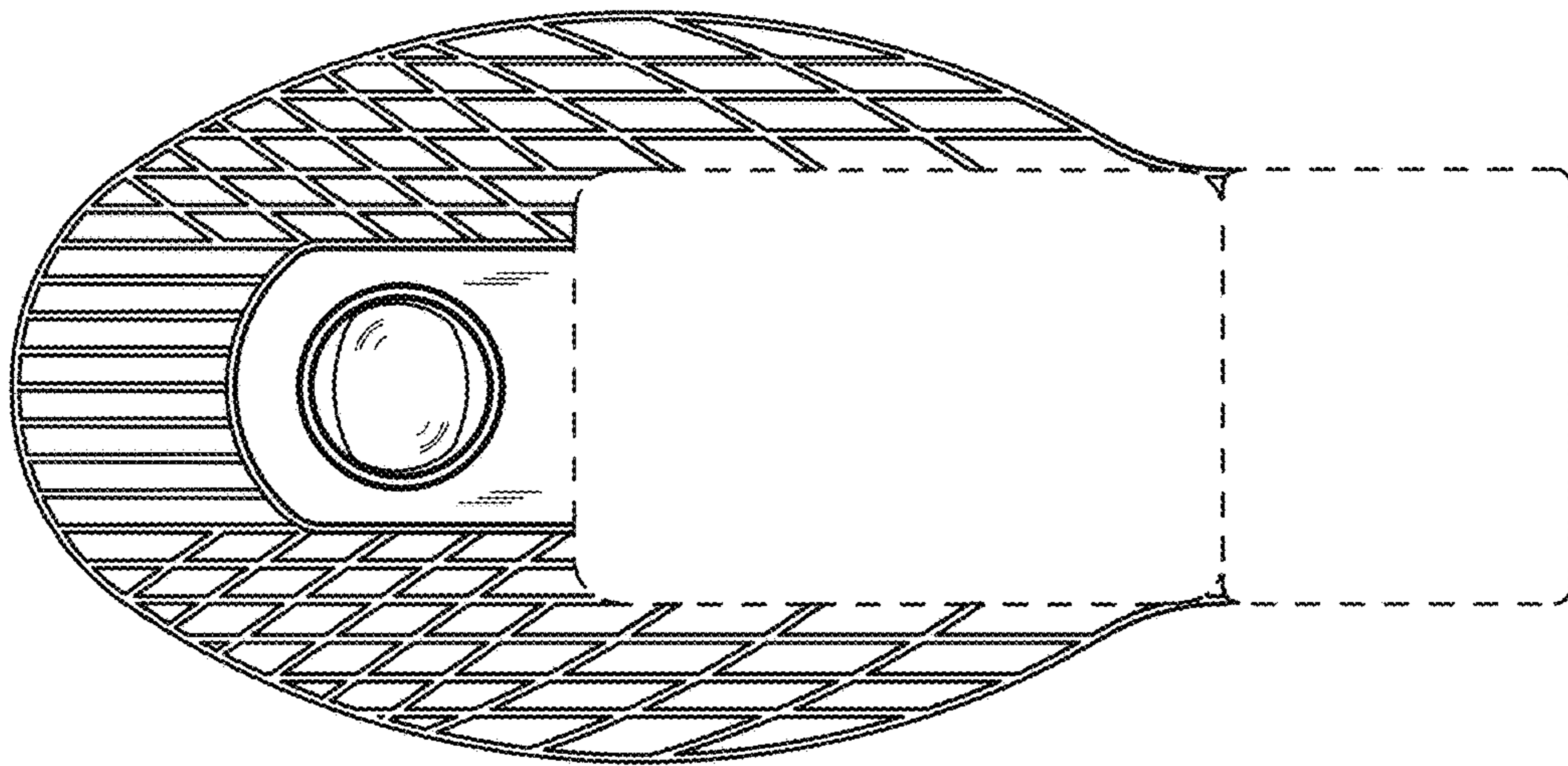


Fig. 1

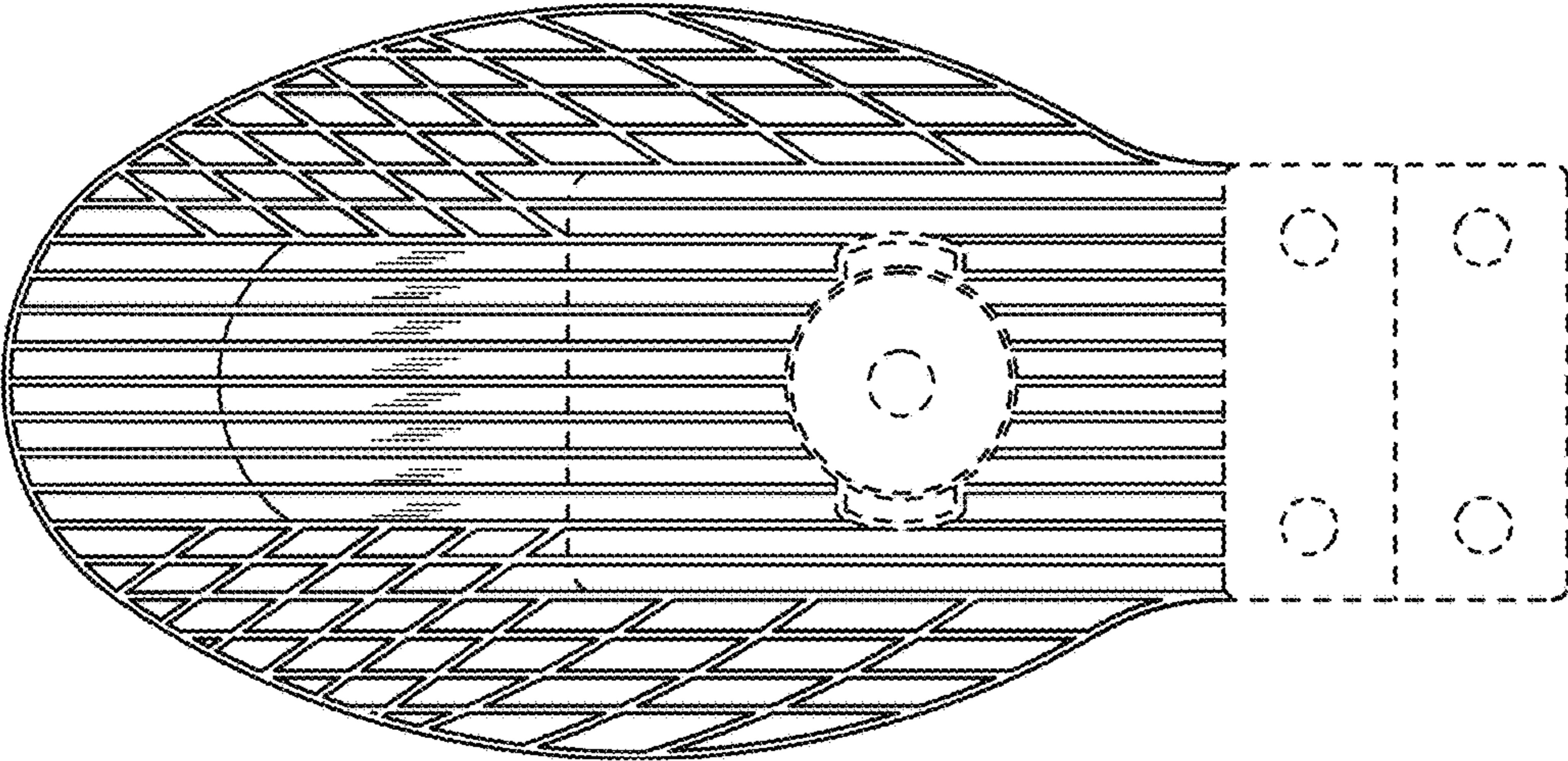


Fig. 2

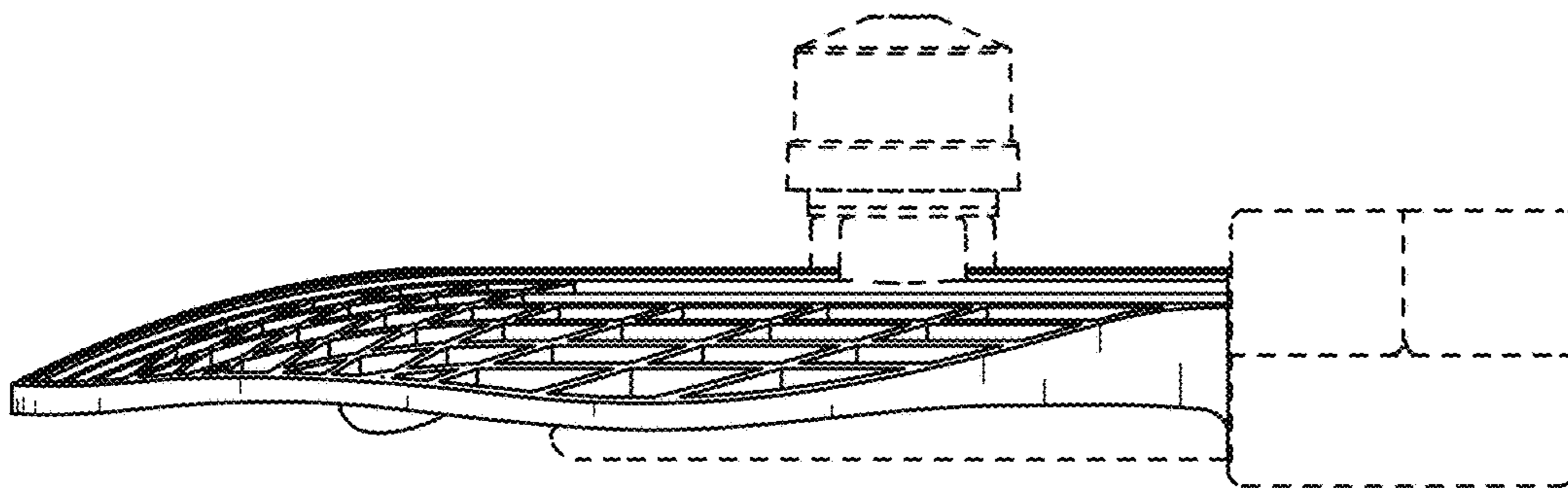


Fig. 3

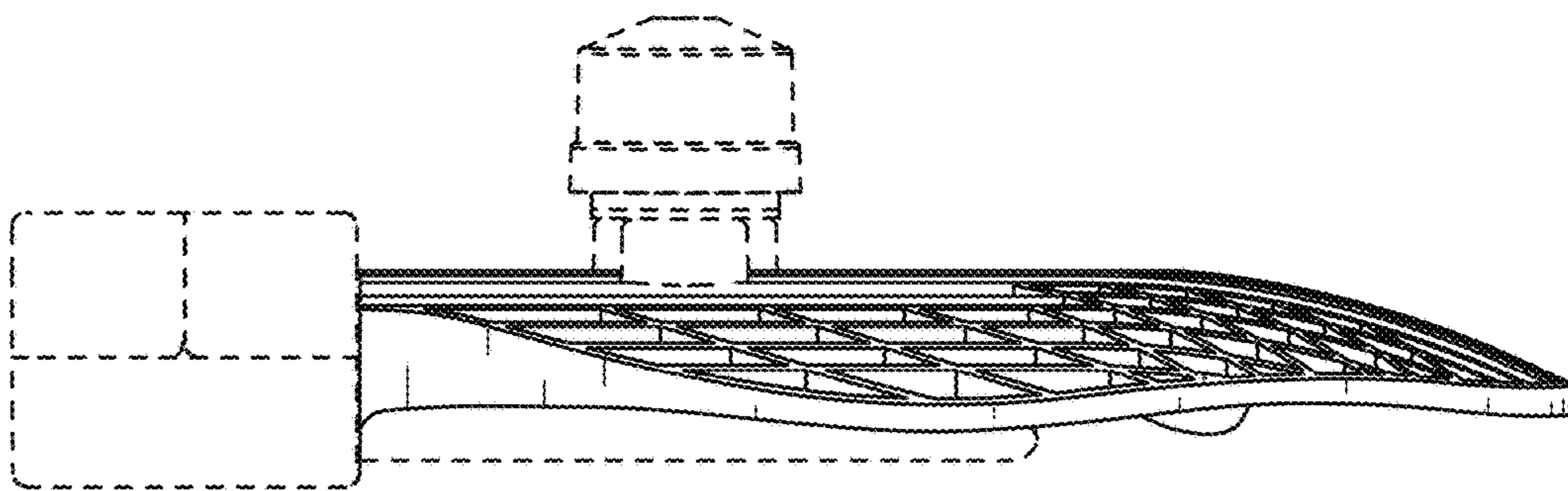


Fig. 4

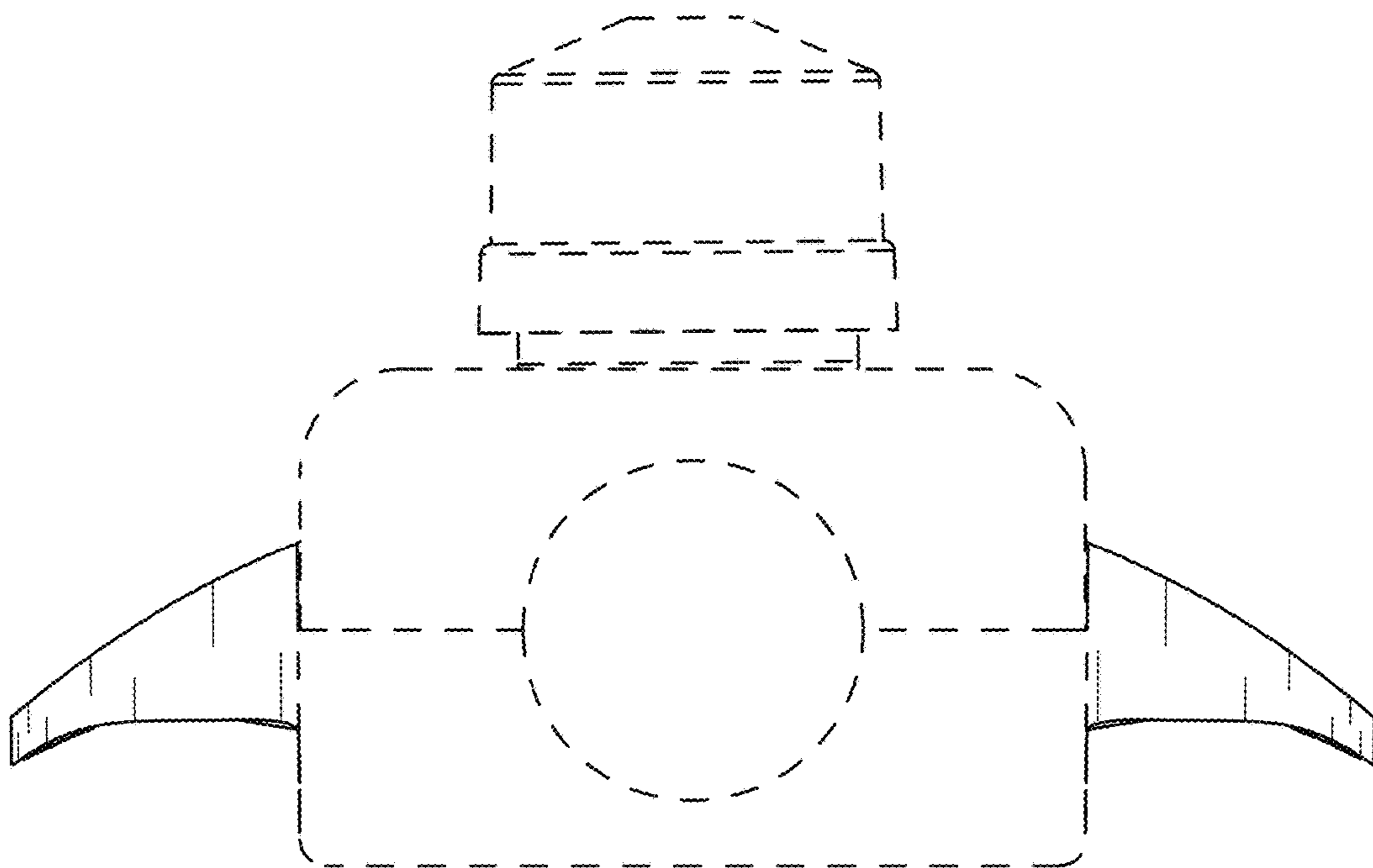


Fig. 5

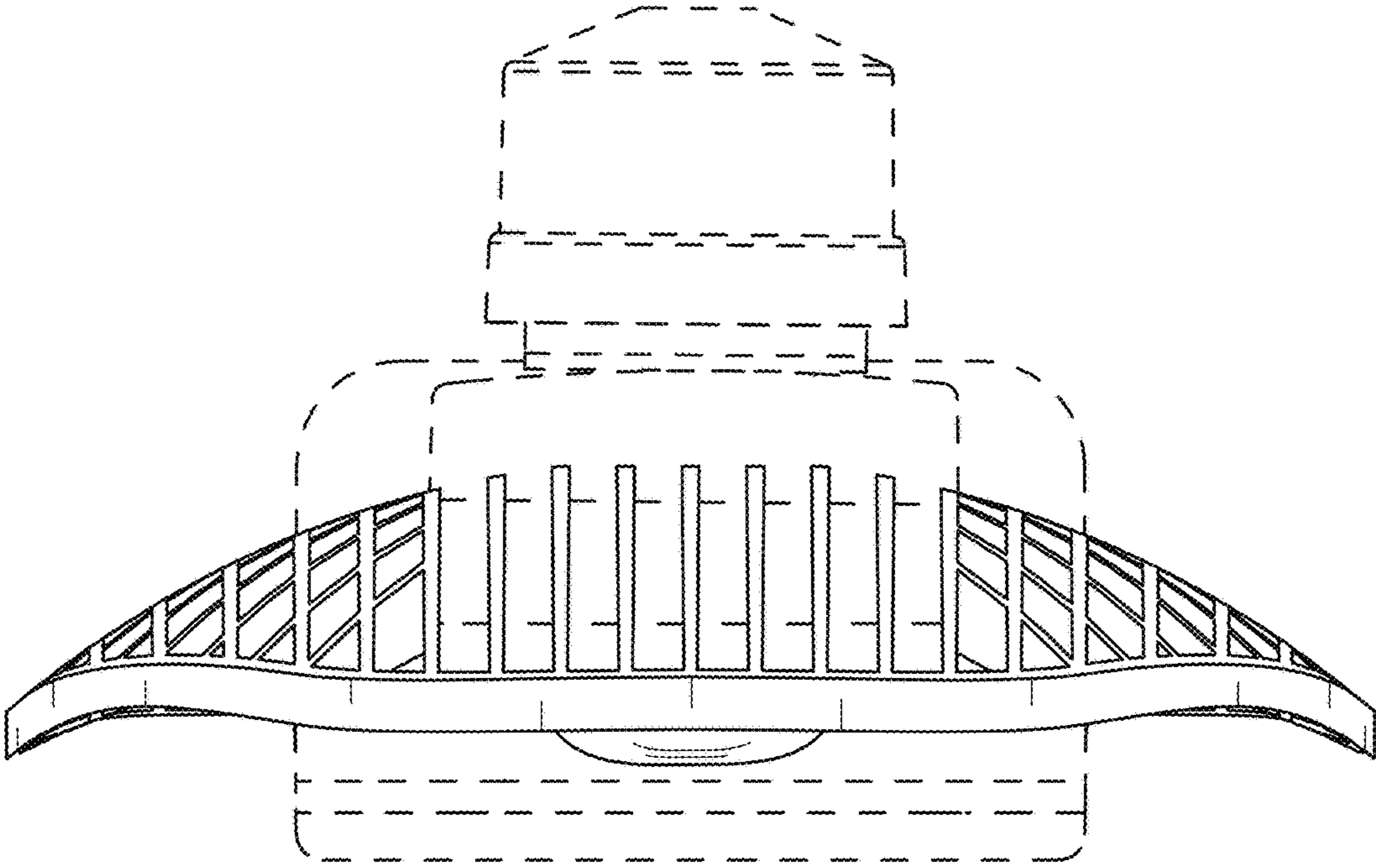


Fig. 6

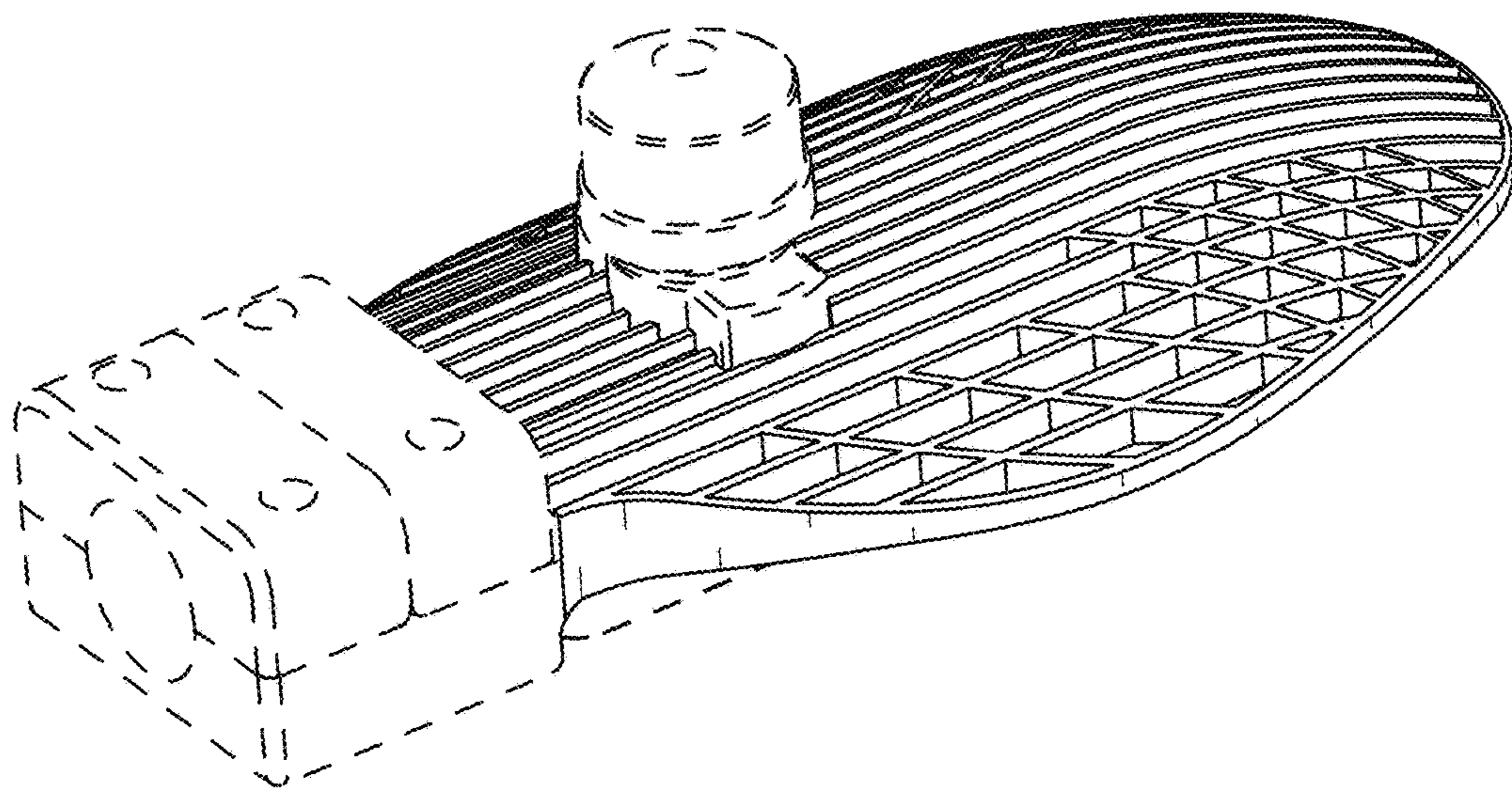


Fig. 7