



US00D828603S

(12) **United States Design Patent** (10) **Patent No.:** **US D828,603 S**
Recker et al. (45) **Date of Patent:** **** Sep. 11, 2018**

(54) **PATH LIGHT**

(71) Applicant: **A9.com, Inc.**, Palo Alto, CA (US)

(72) Inventors: **Michael V Recker**, Gaithersburg, MD (US); **David B Levine**, Pepper Pike, OH (US); **Ryan David Hruska**, North Royalton, OH (US)

(73) Assignee: **A9.com, Inc.**, Seattle, WA (US)

(**) Term: **15 Years**

(21) Appl. No.: **29/607,373**

(22) Filed: **Jun. 13, 2017**

(51) **LOC (11) Cl.** **26-05**

(52) **U.S. Cl.**
USPC **D26/68**

(58) **Field of Classification Search**
USPC D26/67, 68, 85, 119, 129, 131, 132
CPC F21S 8/032; F21S 8/081; F21S 9/03; F21S 9/037; F21W 2131/109; F21W 2111/02; F21W 2111/023; F21W 2111/06; F21W 21/0824

See application file for complete search history.

(56) **References Cited**

U.S. PATENT DOCUMENTS

- 3,721,516 A * 3/1973 Reese F21V 21/0824 239/276
- D338,080 S * 8/1993 Elazari D26/68
- D438,999 S * 3/2001 Bossy D26/68
- D597,697 S * 8/2009 Sabernig D26/68
- D626,677 S * 11/2010 Hackett D26/67
- 8,201,971 B2 * 6/2012 Chen F21S 8/081 362/249.02
- D676,171 S * 2/2013 Boissevain D26/68

- D739,589 S * 9/2015 Macura D26/67
- D752,268 S * 3/2016 Paz D26/68
- D795,482 S * 8/2017 Galipeau D26/68
- D800,940 S * 10/2017 Guzzini D26/67

OTHER PUBLICATIONS

Portfolio 3-Watt Aged Bronze Low Voltage LED Path Light. Model No. 00687. Found at lowes.com, visited Apr. 16, 2018. (Year: 2018).*

Kichler Lighting Textured Architectural Bronze LED Path Light. Model No. 15804AZT27R. Found at destinationlighting.com, visited Apr. 16, 2018. (Year: 2018).*

Kichler Lighting Textured Black LED Path Light. Model No. 16131BKT28. Found at destinationlighting.com, visited Apr. 16, 2018. Year: 2018).*

* cited by examiner

Primary Examiner — Clare E Heflin

(74) *Attorney, Agent, or Firm* — Lee & Hayes, PLLC

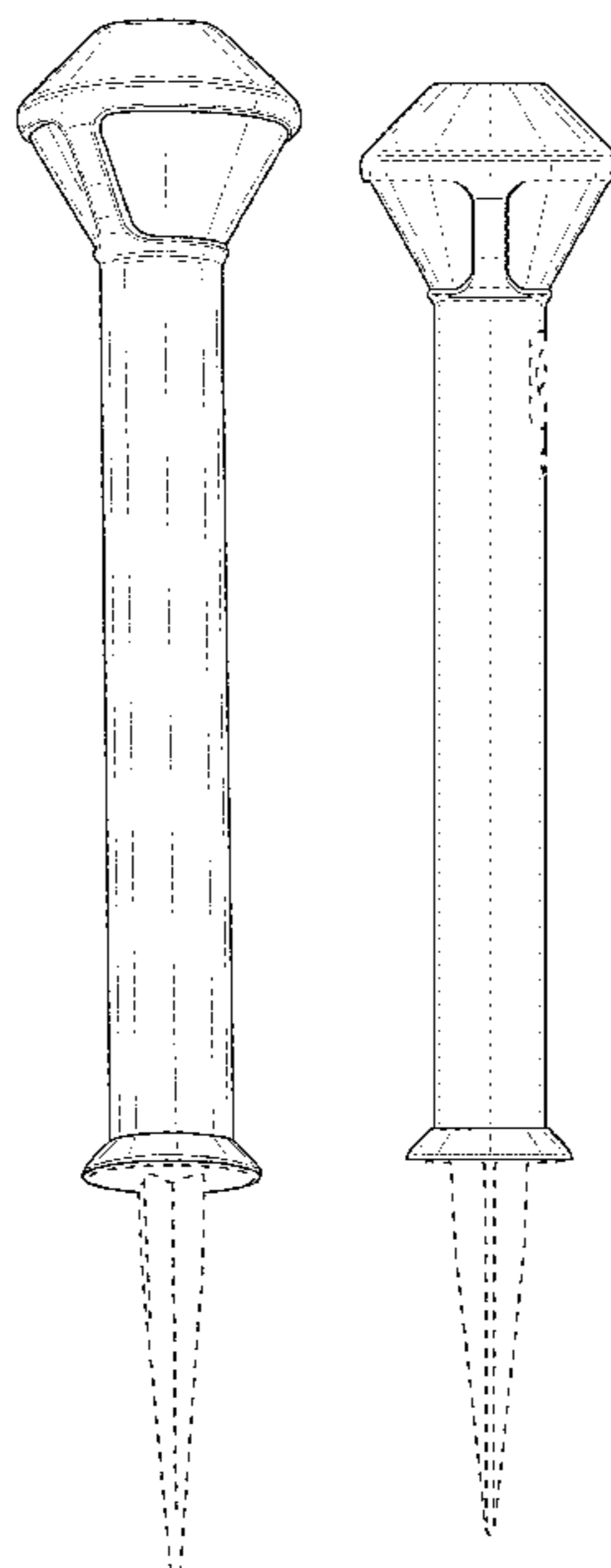
(57) **CLAIM**

The ornamental design for a path light, as shown and described.

DESCRIPTION

FIG. 1 is a front, right, bottom perspective view of a path light showing our new design;
FIG. 2 is a rear, right perspective view thereof;
FIG. 3 is a front elevation view thereof;
FIG. 4 is a rear elevation view thereof;
FIG. 5 is a left side view thereof;
FIG. 6 is a right side view thereof;
FIG. 7 is a top plan view thereof; and,
FIG. 8 is a bottom plan view thereof.
The broken lines shown in the drawings depict portions of the path light that form no part of the claimed design.

1 Claim, 8 Drawing Sheets



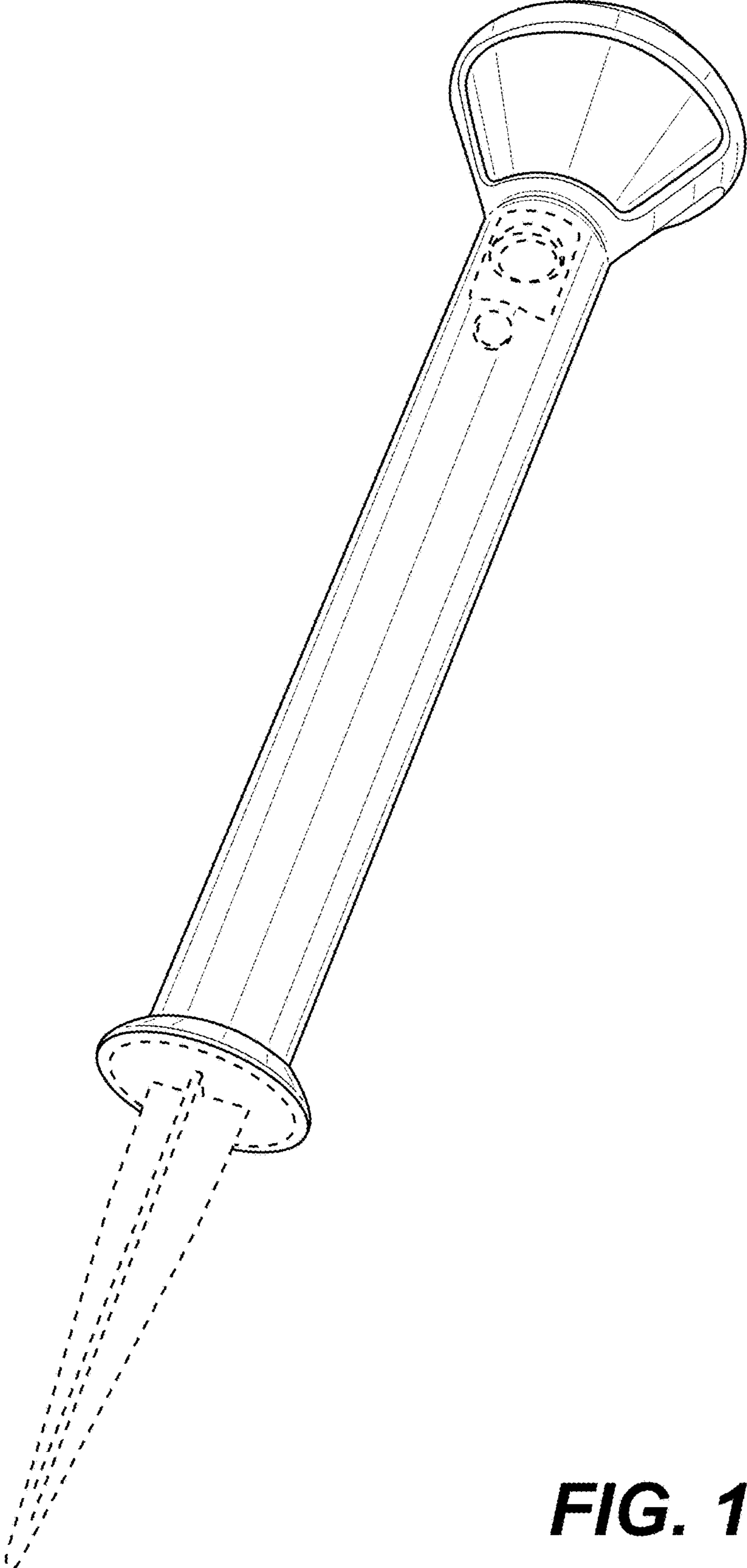


FIG. 1

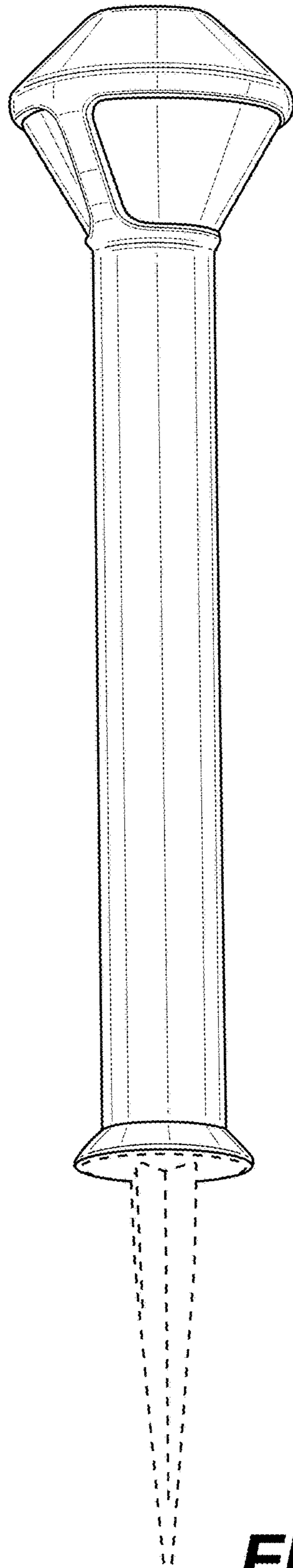


FIG. 2

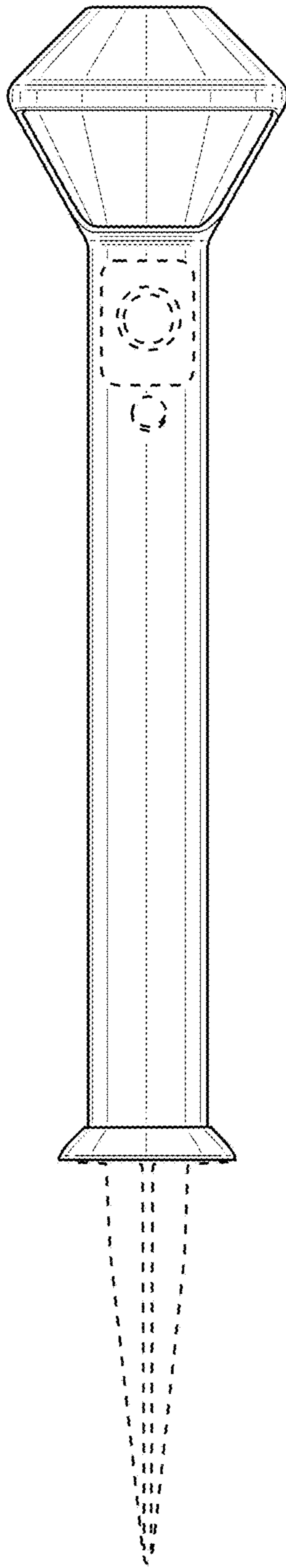


FIG. 3

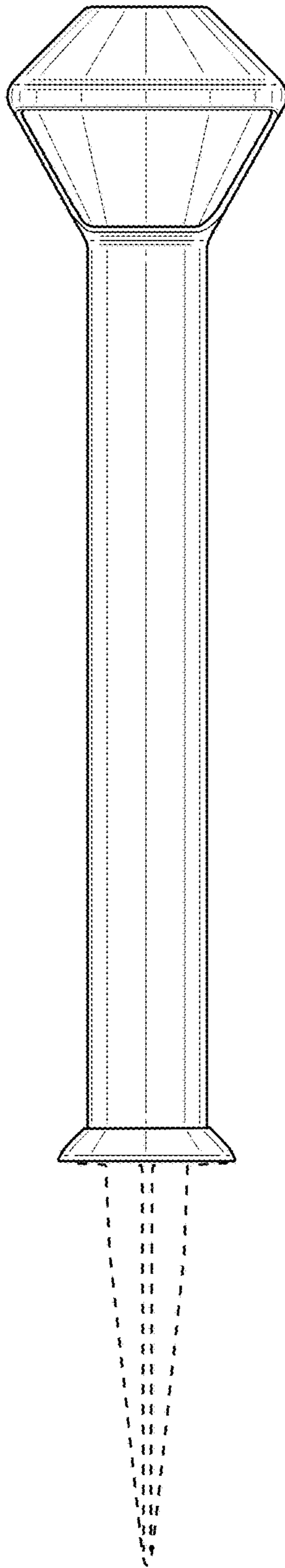


FIG. 4

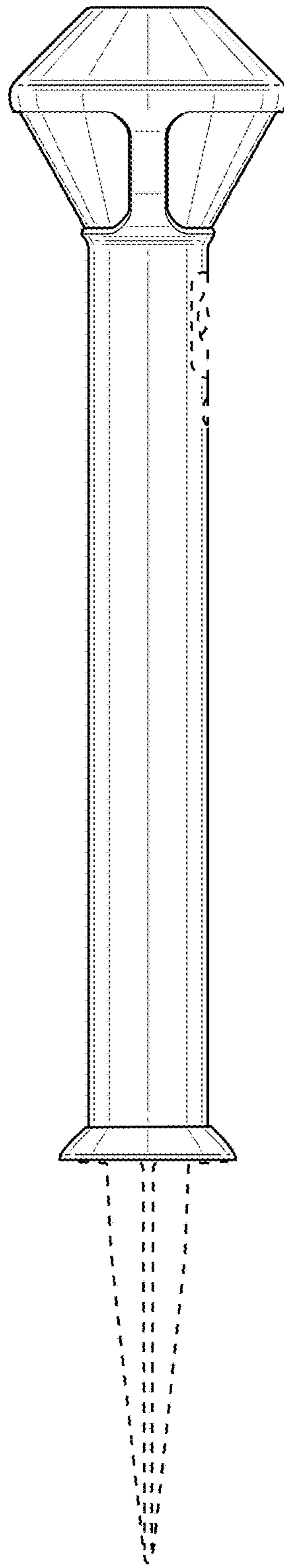


FIG. 5

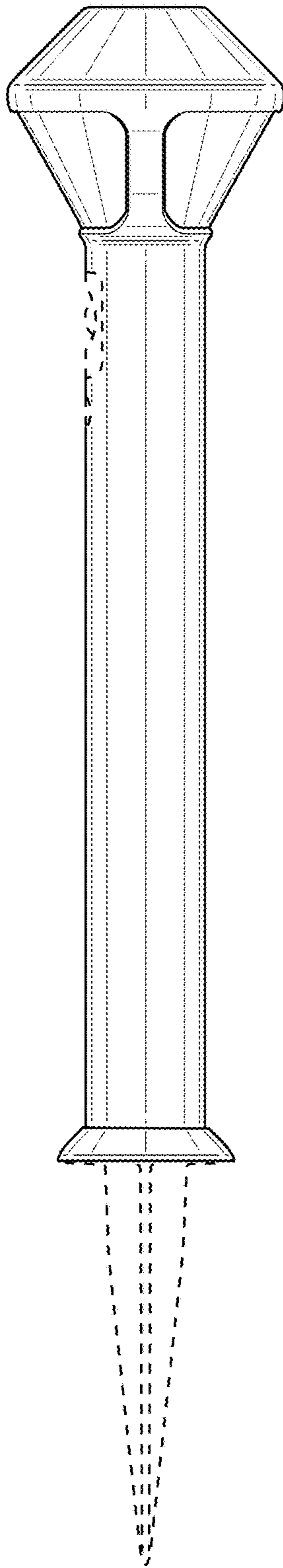


FIG. 6

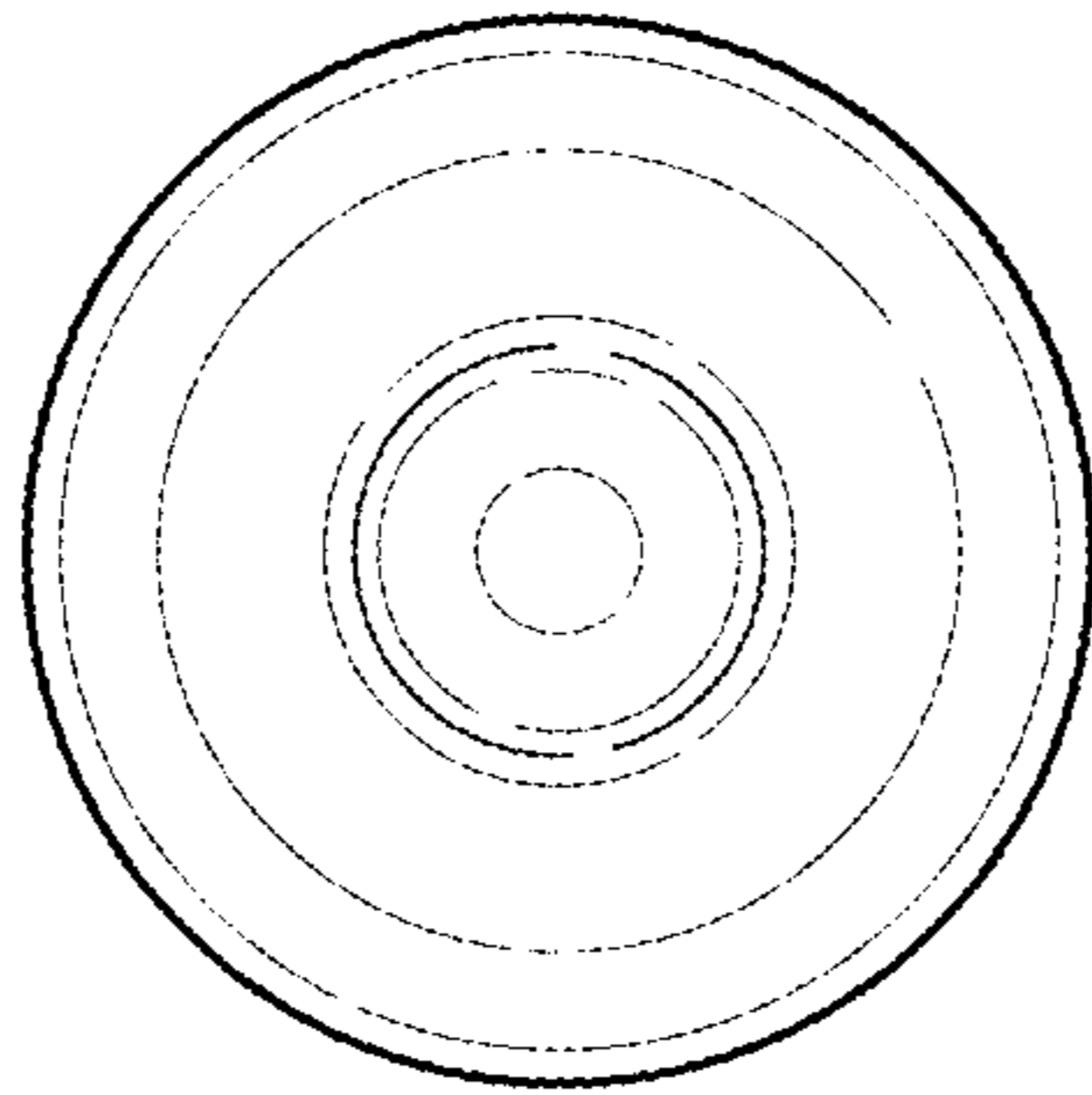


FIG. 7

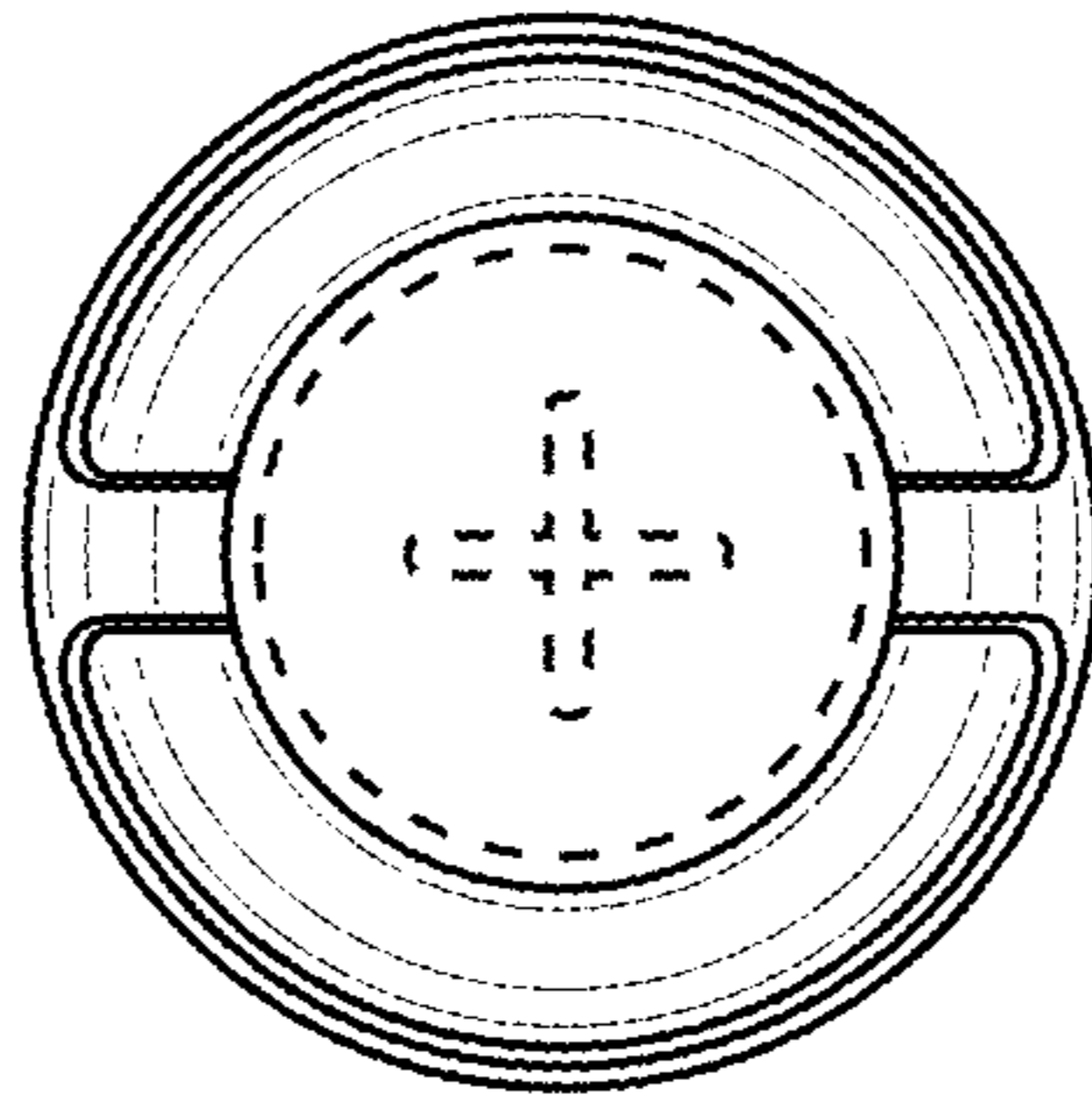


FIG. 8