



US00D828602S

(12) **United States Design Patent** (10) **Patent No.:** **US D828,602 S**
He (45) **Date of Patent:** **** Sep. 11, 2018**

(54) **SOLAR ENERGY HUMAN BODY INDUCTION LAMP (FOLDABLE)**
(71) Applicant: **Wei-Ji He**, Hubei (CN)
(72) Inventor: **Wei-Ji He**, Hubei (CN)
(73) Assignee: **Wei-Ji He**, Shiyuan (CN)
(**) Term: **15 Years**
(21) Appl. No.: **29/596,082**
(22) Filed: **Mar. 6, 2017**
(51) **LOC (11) Cl.** **26-03**
(52) **U.S. Cl.**
USPC **D26/65**
(58) **Field of Classification Search**
USPC D26/24, 51, 61, 63, 65, 72, 80, 118, 37, D26/93
CPC F21S 8/04; F21S 8/00; F21V 21/00; F21V 17/02; F21V 14/02; F21V 21/30; F21V 21/14; F21V 21/26; F21W 2131/10
See application file for complete search history.

D603,986 S * 11/2009 Kuo D26/44
D607,915 S * 1/2010 Fong D26/118
D630,355 S * 1/2011 Gulker D26/37
D641,917 S * 7/2011 Toratani D26/93
D710,527 S * 8/2014 Brown D26/63
D805,673 S * 12/2017 Dai D26/63

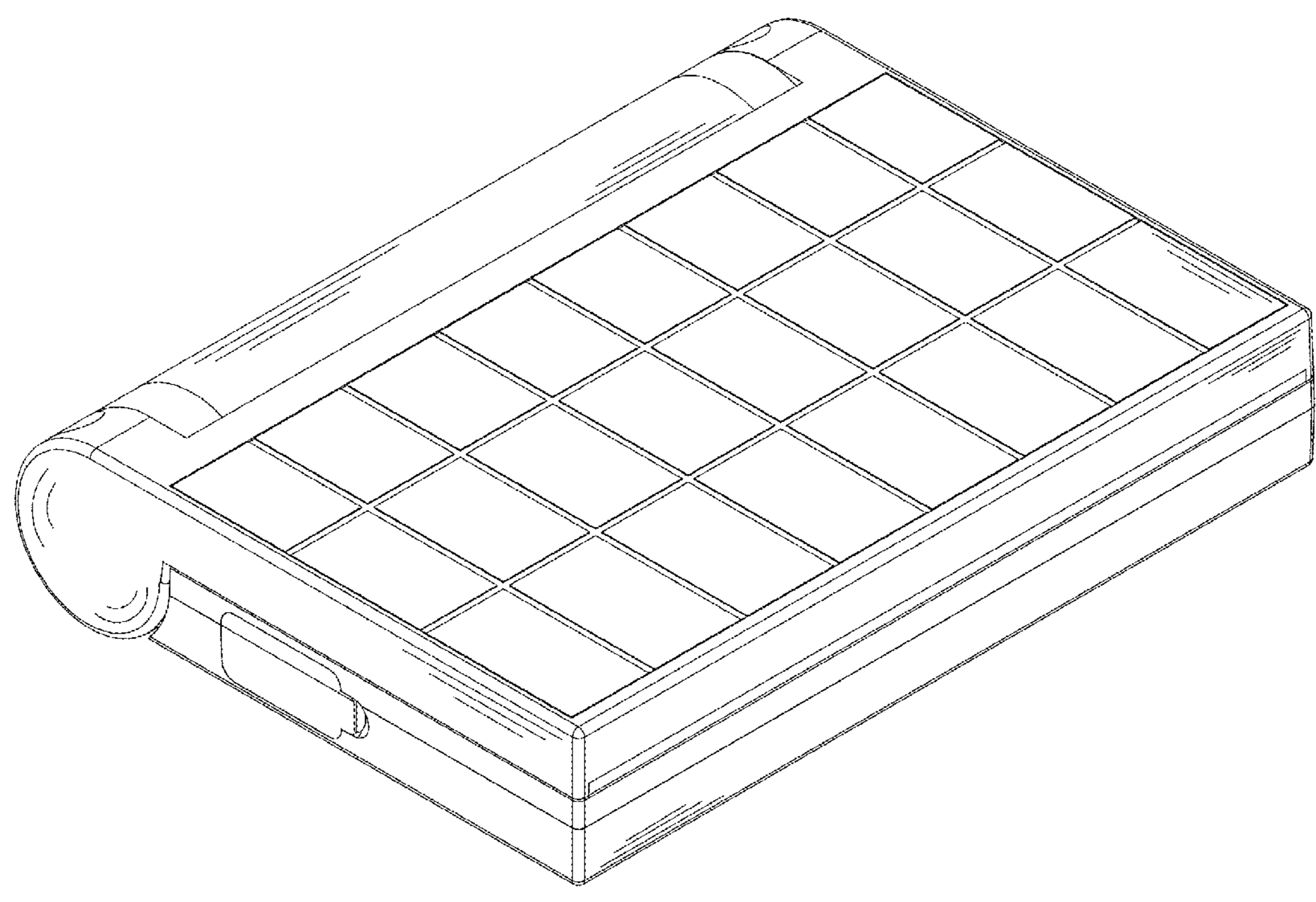
* cited by examiner
Primary Examiner — Brian N. Vinson
(74) *Attorney, Agent, or Firm* — ScienBiziP, P.C.

(57) **CLAIM**
The ornamental design for a solar energy human body induction lamp (foldable), as shown and described.

DESCRIPTION
FIG. 1 is a perspective view of a solar energy human body induction lamp (foldable) showing my new design; FIG. 2 is a front elevational view thereof; FIG. 3 is a top elevational view thereof; FIG. 4 is a left side elevational view thereof; FIG. 5 is a rear side elevational view thereof; FIG. 6 is a right plan view thereof; and, FIG. 7 is a bottom plan view thereof. The broken lines in the figures represent portions of the lamp which form no part of the claimed design, and the broken perimeter line represents an unclaimed boundary between claimed and unclaimed surfaces.

(56) **References Cited**
U.S. PATENT DOCUMENTS
D535,774 S * 1/2007 Weston D26/61
D538,963 S * 3/2007 Starck D26/93

1 Claim, 7 Drawing Sheets



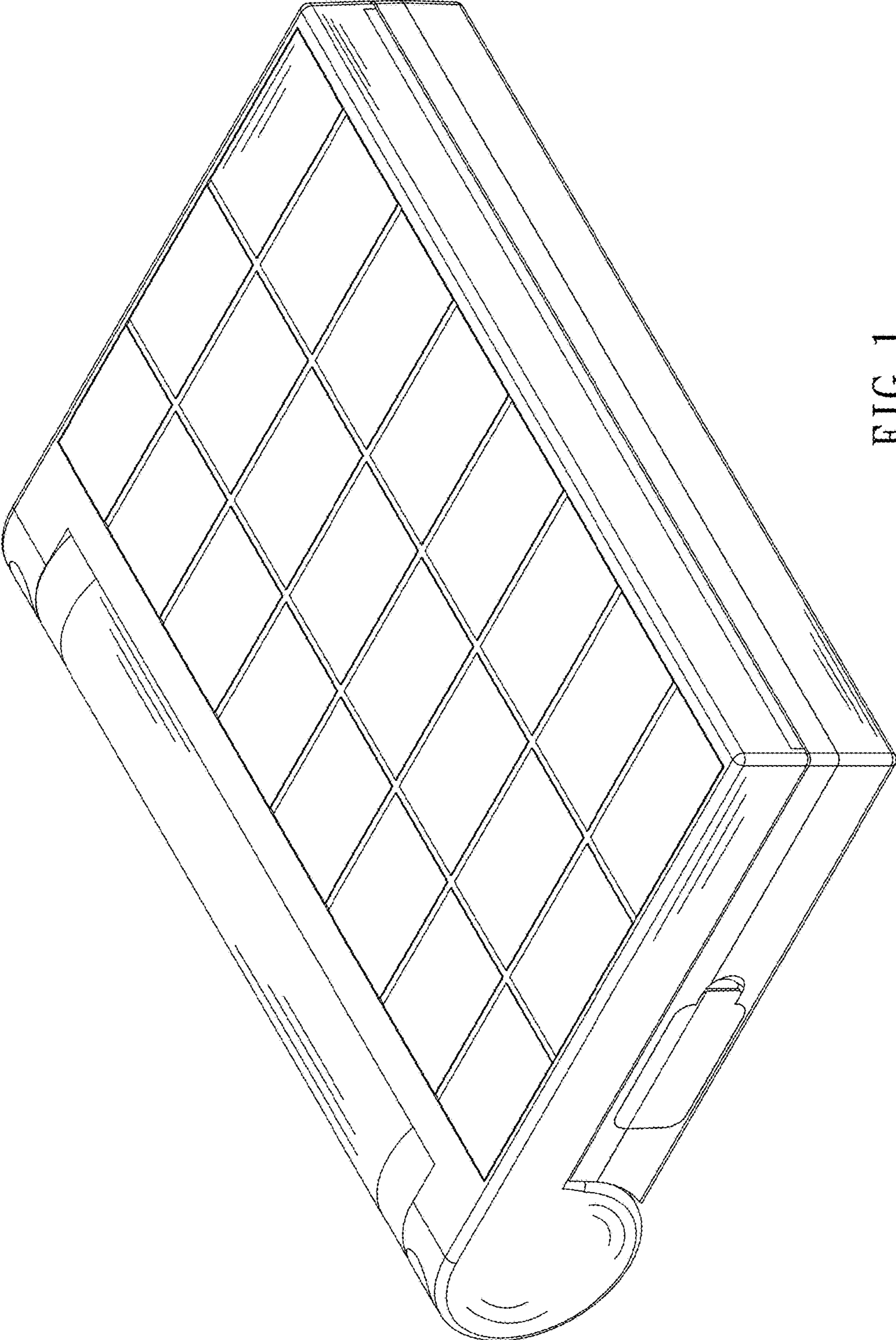


FIG. 1

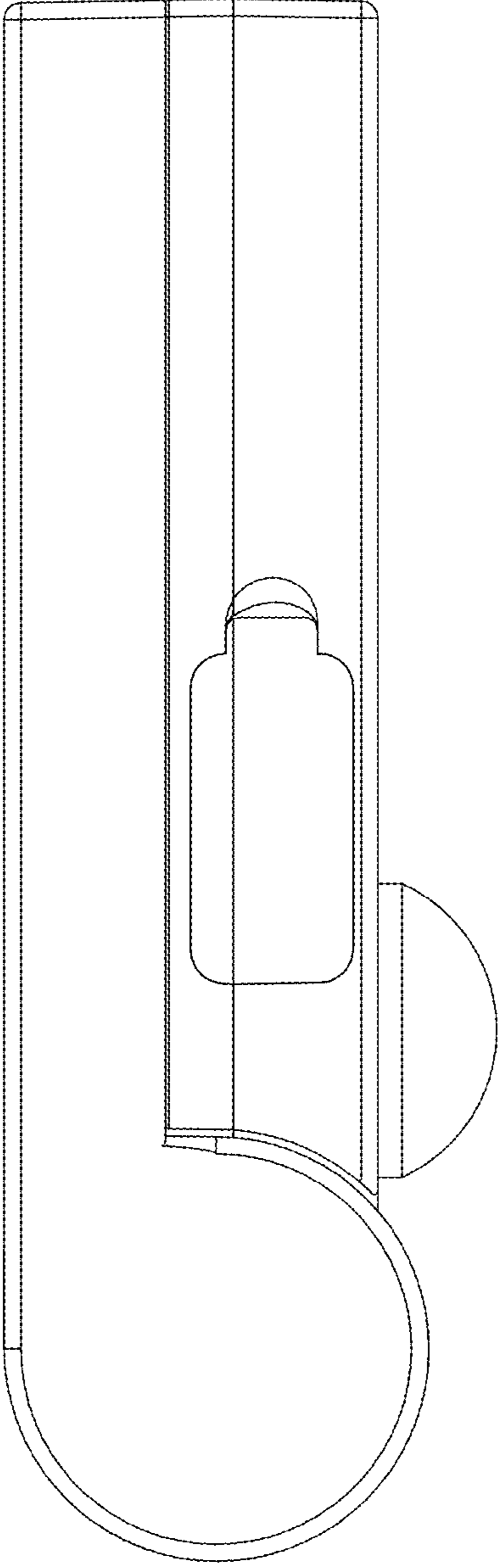


FIG. 2

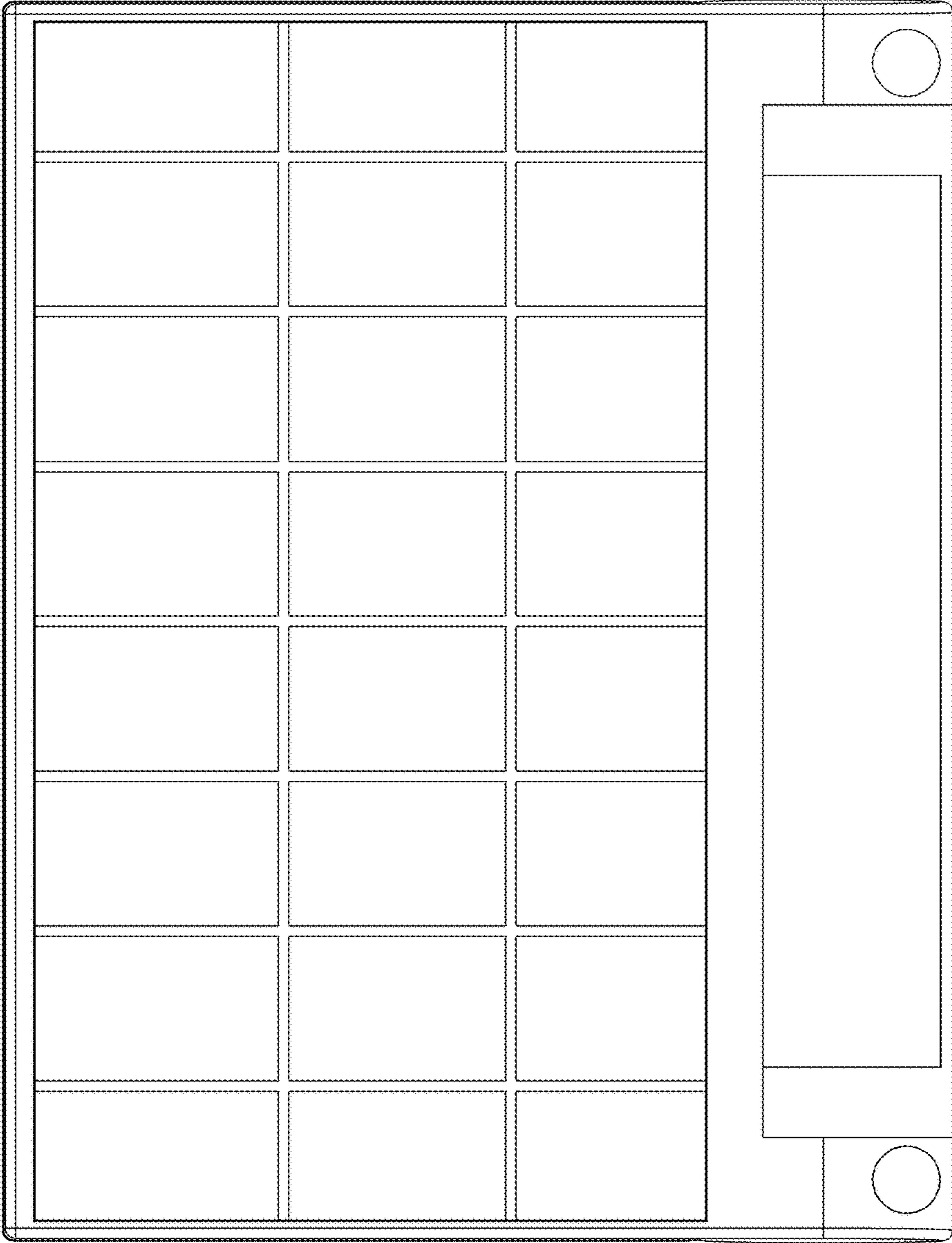


FIG. 3

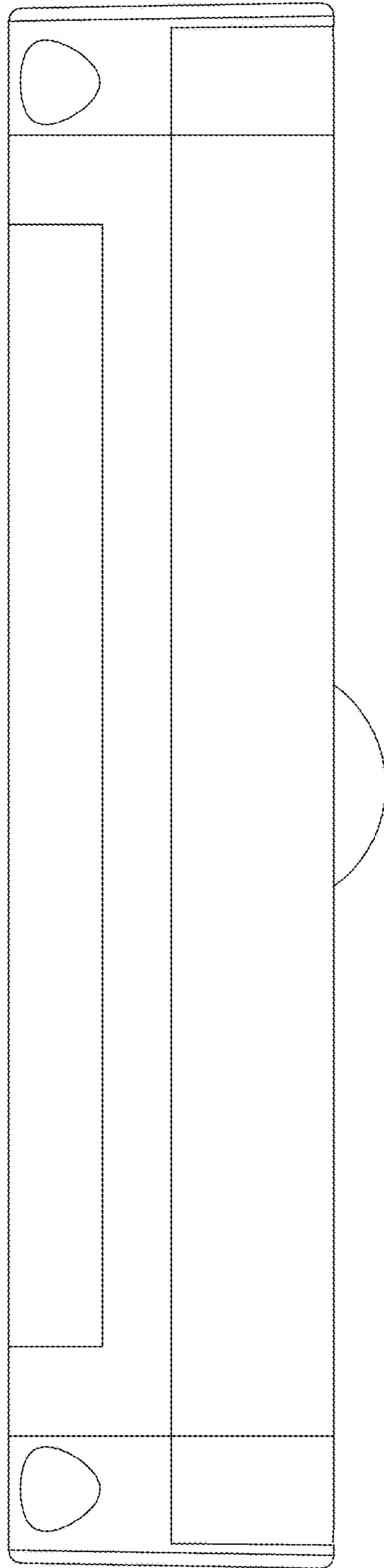


FIG. 4

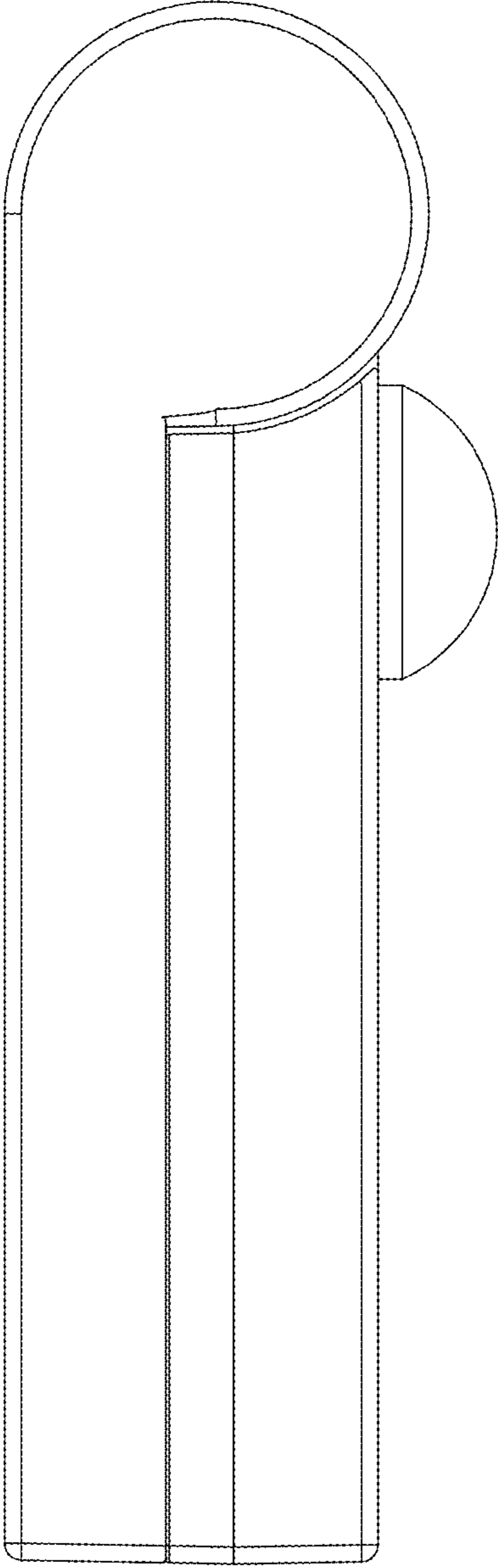


FIG. 5

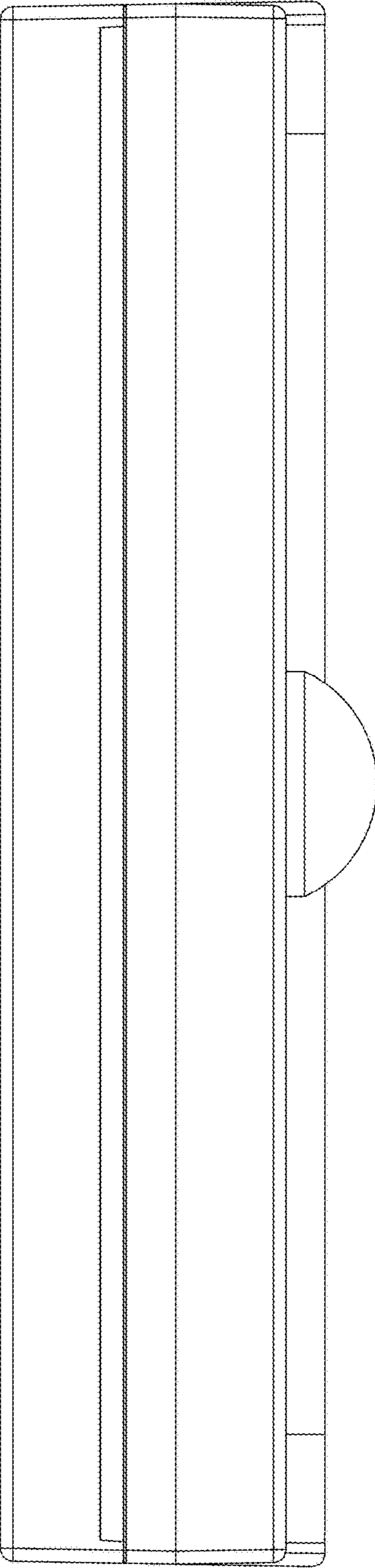


FIG. 6

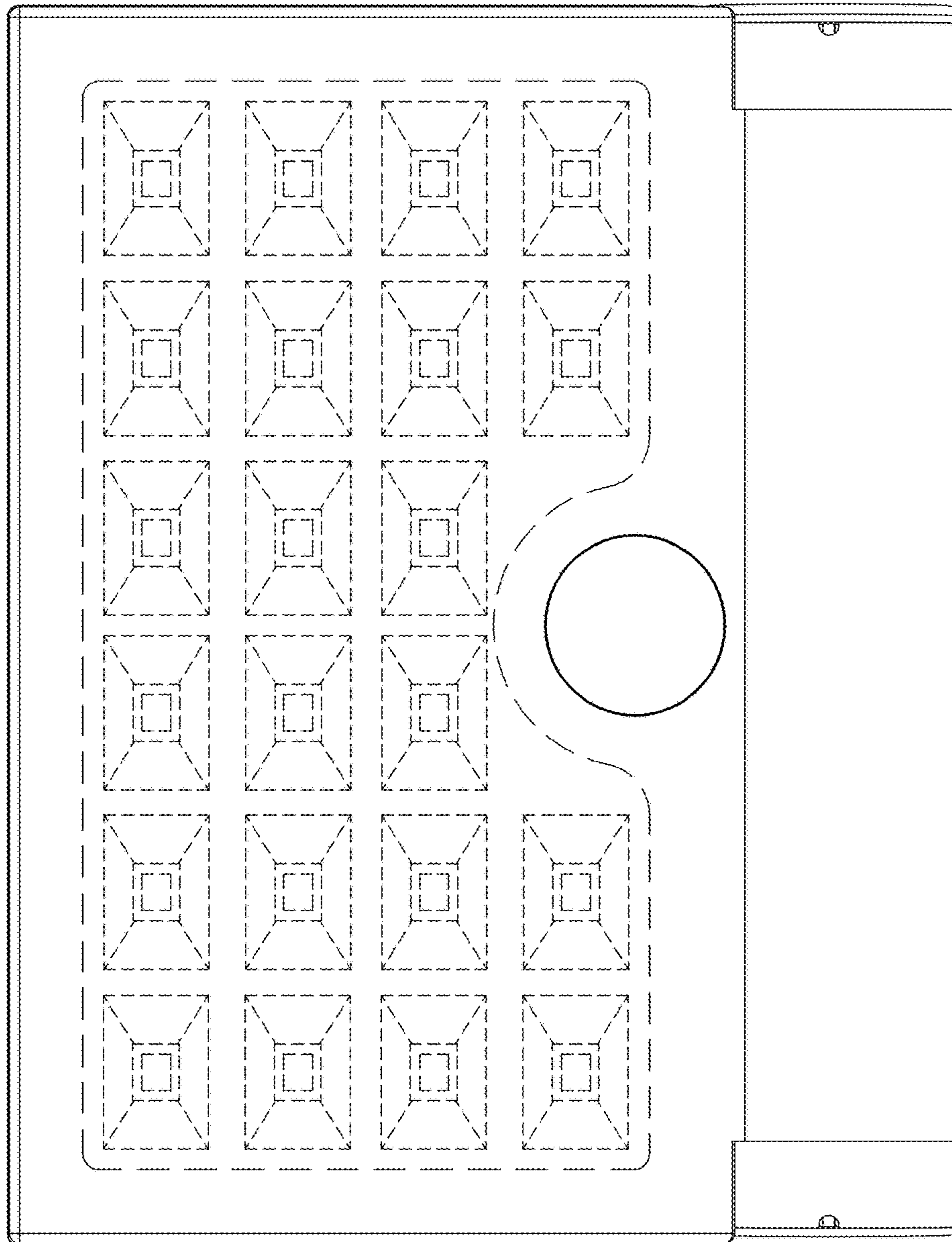


FIG. 7