



US00D828601S

(12) **United States Design Patent** (10) **Patent No.:** **US D828,601 S**
Hu (45) **Date of Patent:** **** Sep. 11, 2018**

(54) **OUTDOOR LIGHTING FIXTURE**
(71) Applicant: **SCHREDER, S.A.**, Brussels (BE)
(72) Inventor: **Jinyang Hu**, Guangdong (CN)
(73) Assignee: **Schreder, S.A.**, Brussels (BE)
(**) Term: **15 Years**
(21) Appl. No.: **29/598,514**

D769,508 S * 10/2016 Rosello Gratacos D26/63
D776,320 S * 1/2017 Bobel D26/63
D802,197 S * 11/2017 Ding D26/72
D806,299 S * 12/2017 Gebhard D26/63

* cited by examiner

Primary Examiner — Brian N. Vinson
(74) *Attorney, Agent, or Firm* — Kirschstein, Israel, Schiffmiller & Peironi, P.C.

(22) Filed: **Mar. 27, 2017**

(57) **CLAIM**

(30) **Foreign Application Priority Data**

The ornamental design for an outdoor lighting fixture, as shown and described.

Sep. 27, 2016 (EM) 003396803-0001

(51) **LOC (11) Cl.** **26-03**

(52) **U.S. Cl.**
USPC **D26/63**

(58) **Field of Classification Search**
USPC D26/60–66, 72, 85, 87, 92, 86, 102
CPC F21Y 2103/002; F21Y 2101/02; F21S
10/00; F21V 21/30; F21V 14/02; F21V
21/00
See application file for complete search history.

DESCRIPTION

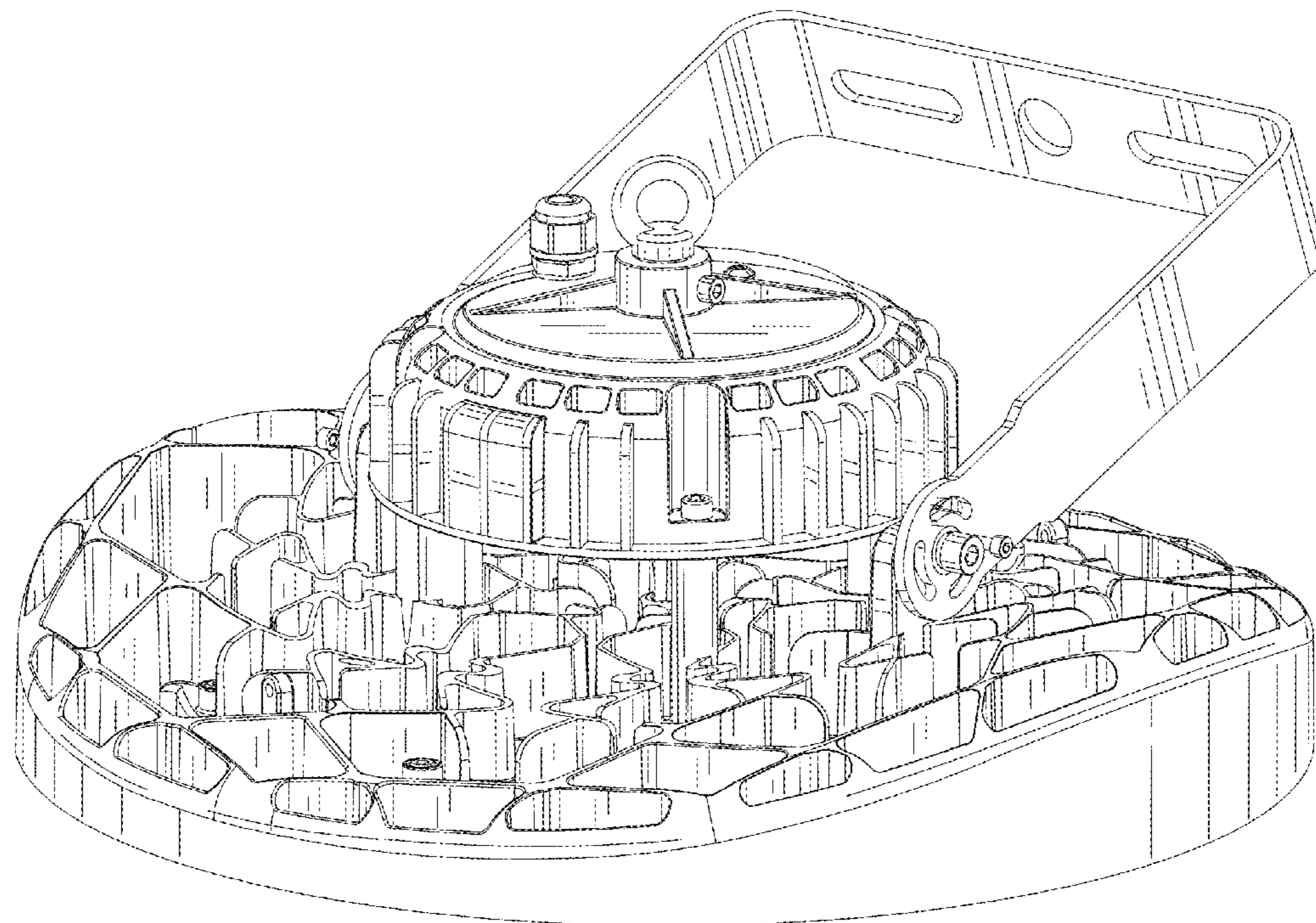
(56) **References Cited**

U.S. PATENT DOCUMENTS

D689,232 S * 9/2013 Velazquez F21V 23/009
D26/63
D695,435 S * 12/2013 Pedersen D26/63

FIG. 1 is a perspective view of an outdoor lighting fixture as seen from above according to my new design.
FIG. 2 is a perspective view thereof as seen from below.
FIG. 3 is a front elevational view thereof.
FIG. 4 is a rear elevational view thereof.
FIG. 5 is a left side devotional view thereof.
FIG. 6 is a right side elevational view thereof.
FIG. 7 is a top plan view thereof; and,
FIG. 8 is a bottom plan view thereof.
The broken lines in the figures are parts of the outdoor lighting fixture that form no part of the claimed design.

1 Claim, 8 Drawing Sheets



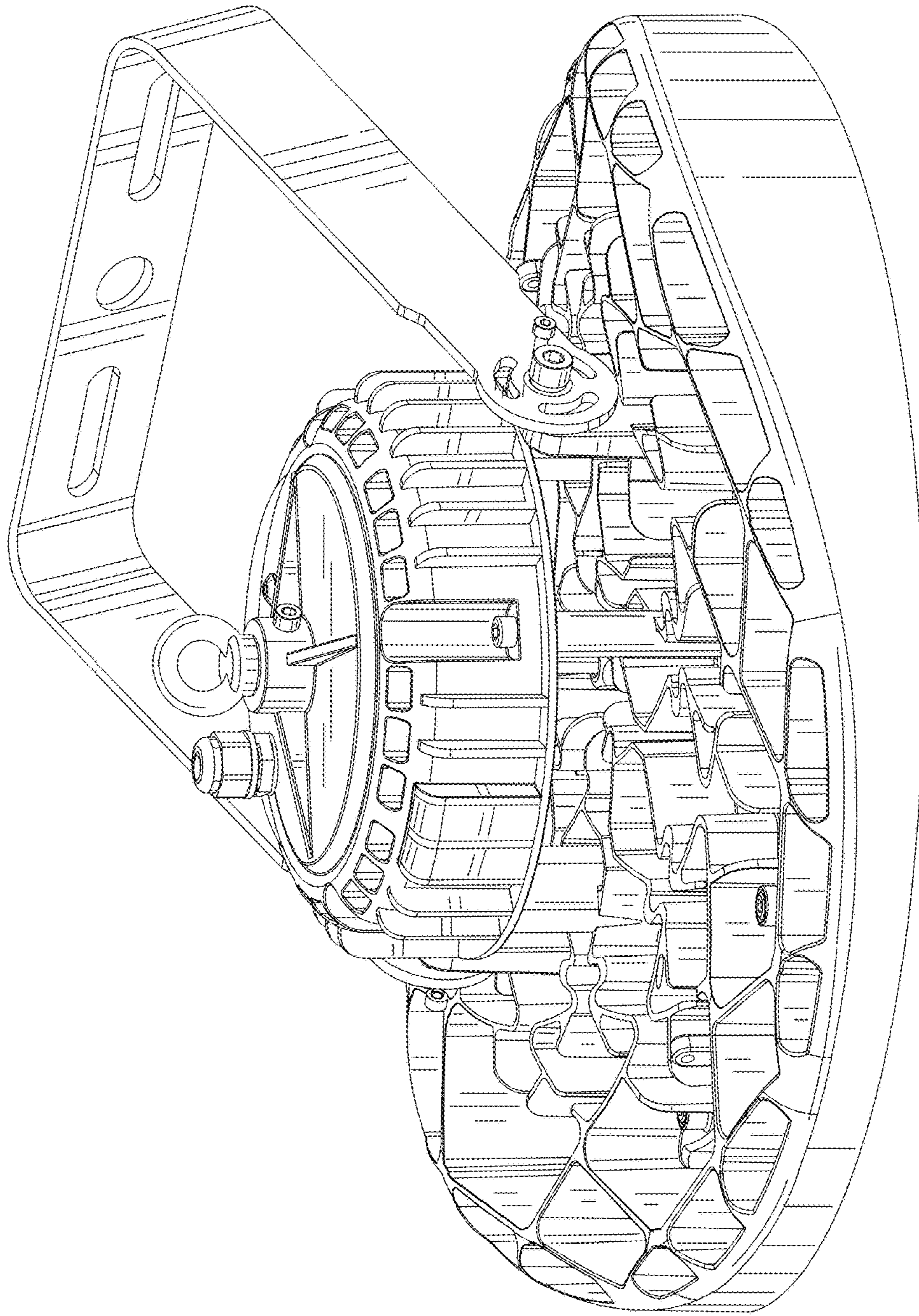


FIG. 1

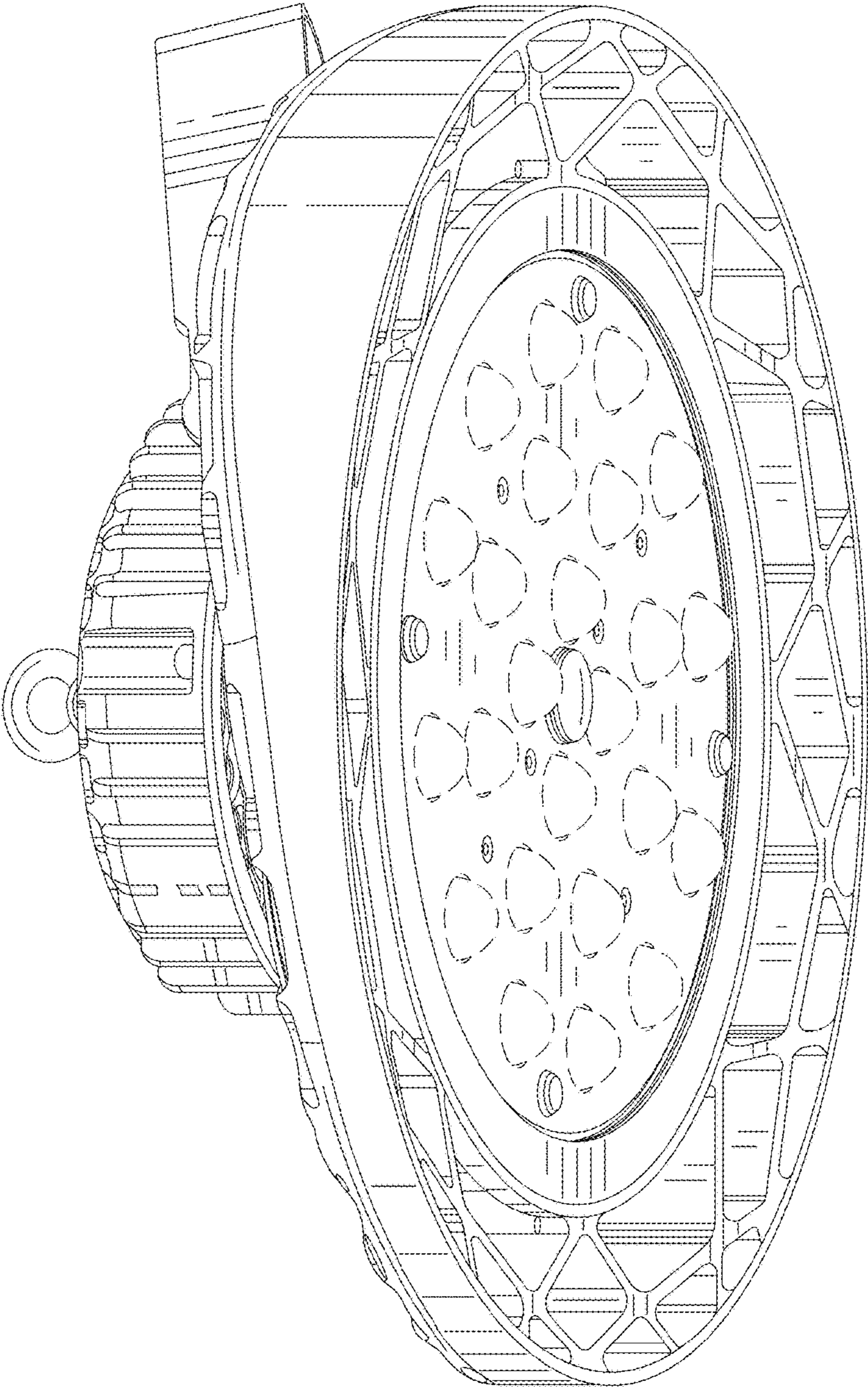


FIG. 2

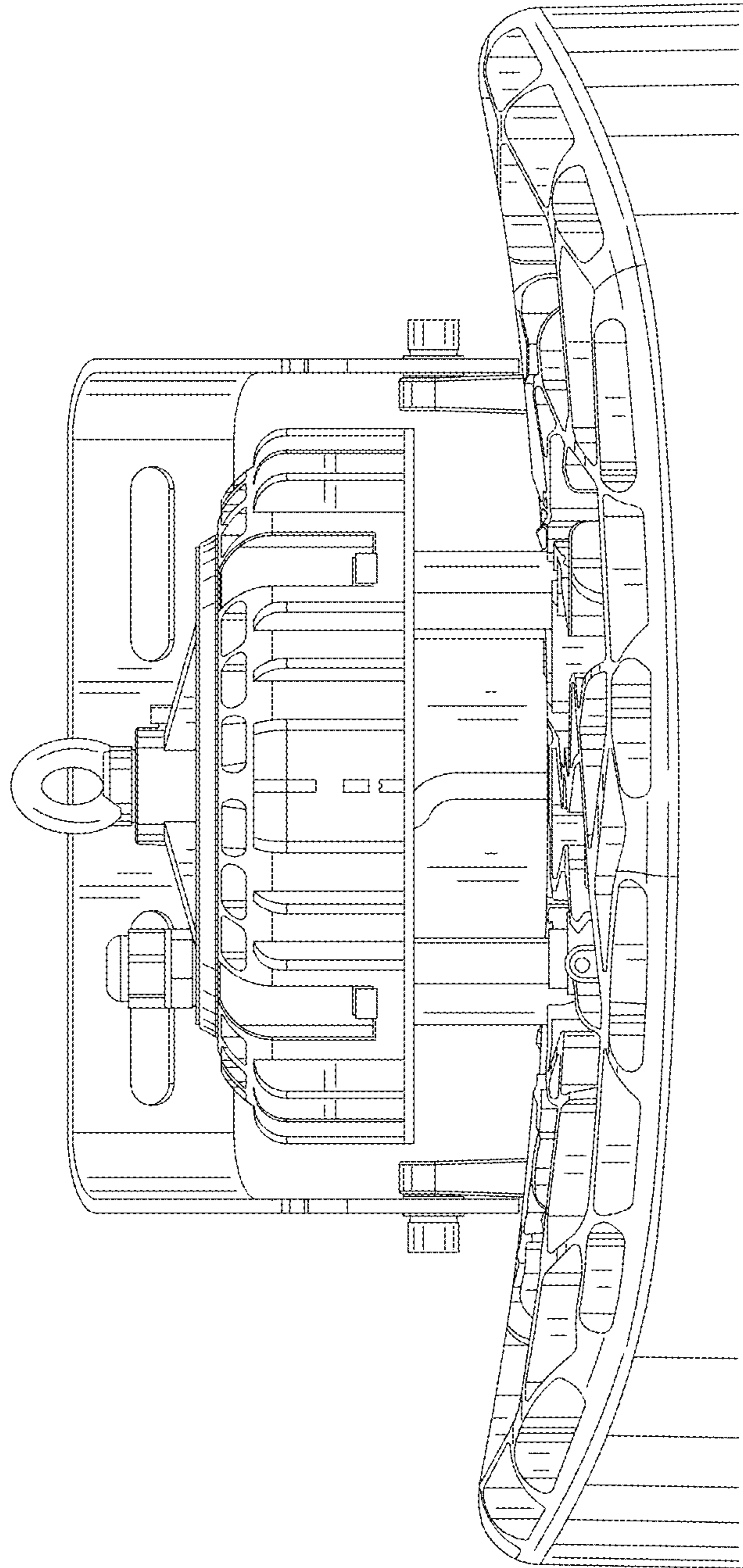


FIG. 3

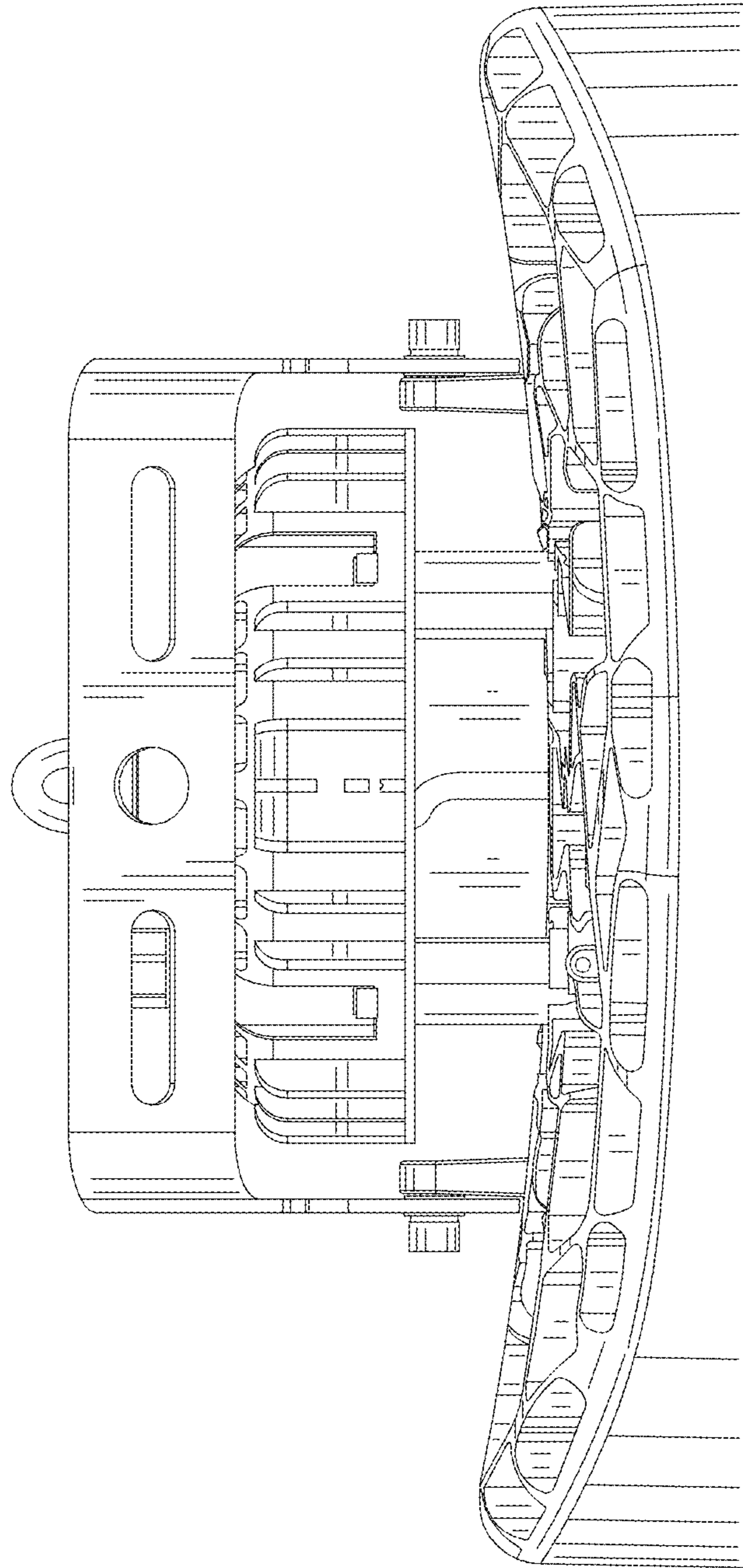


FIG. 4

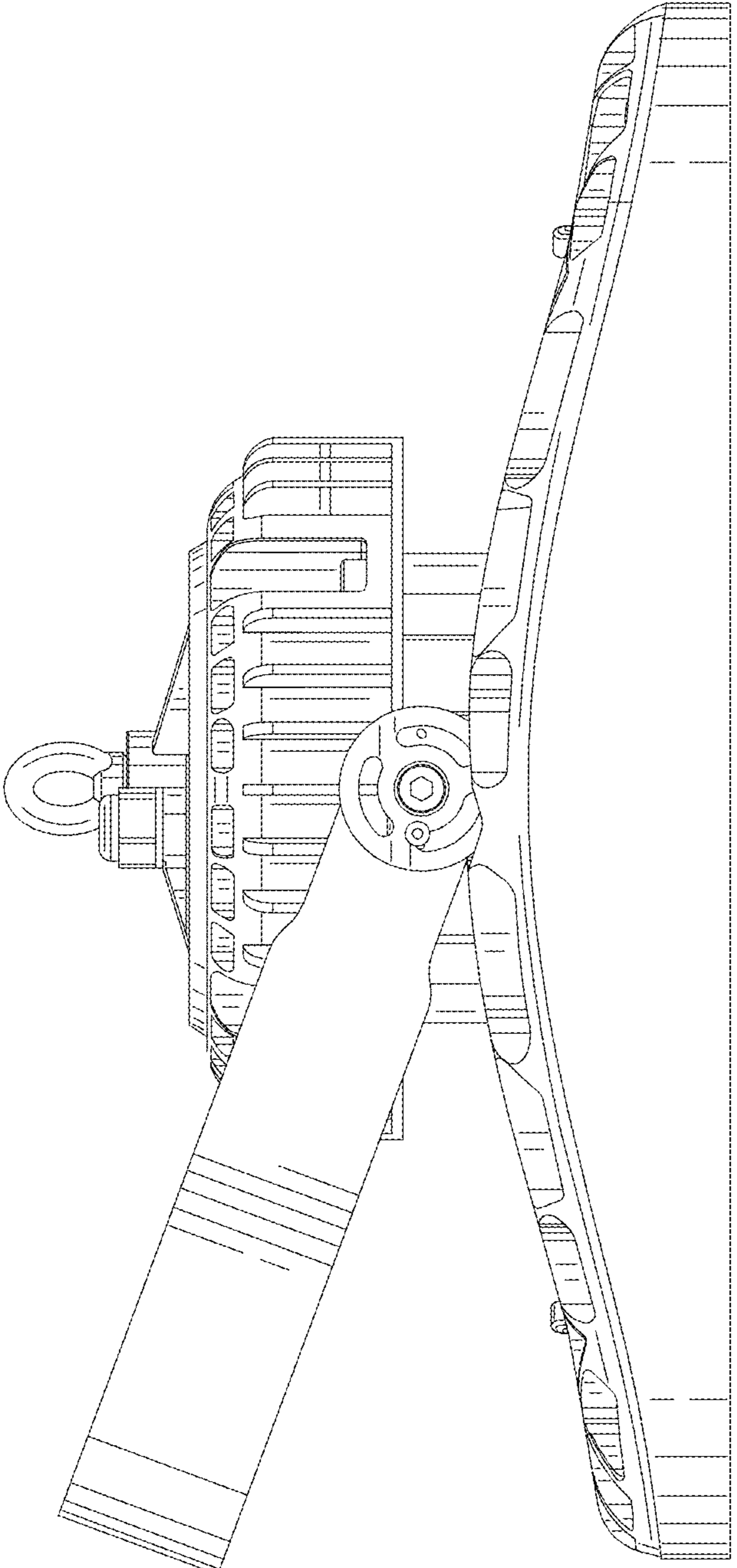


FIG. 5

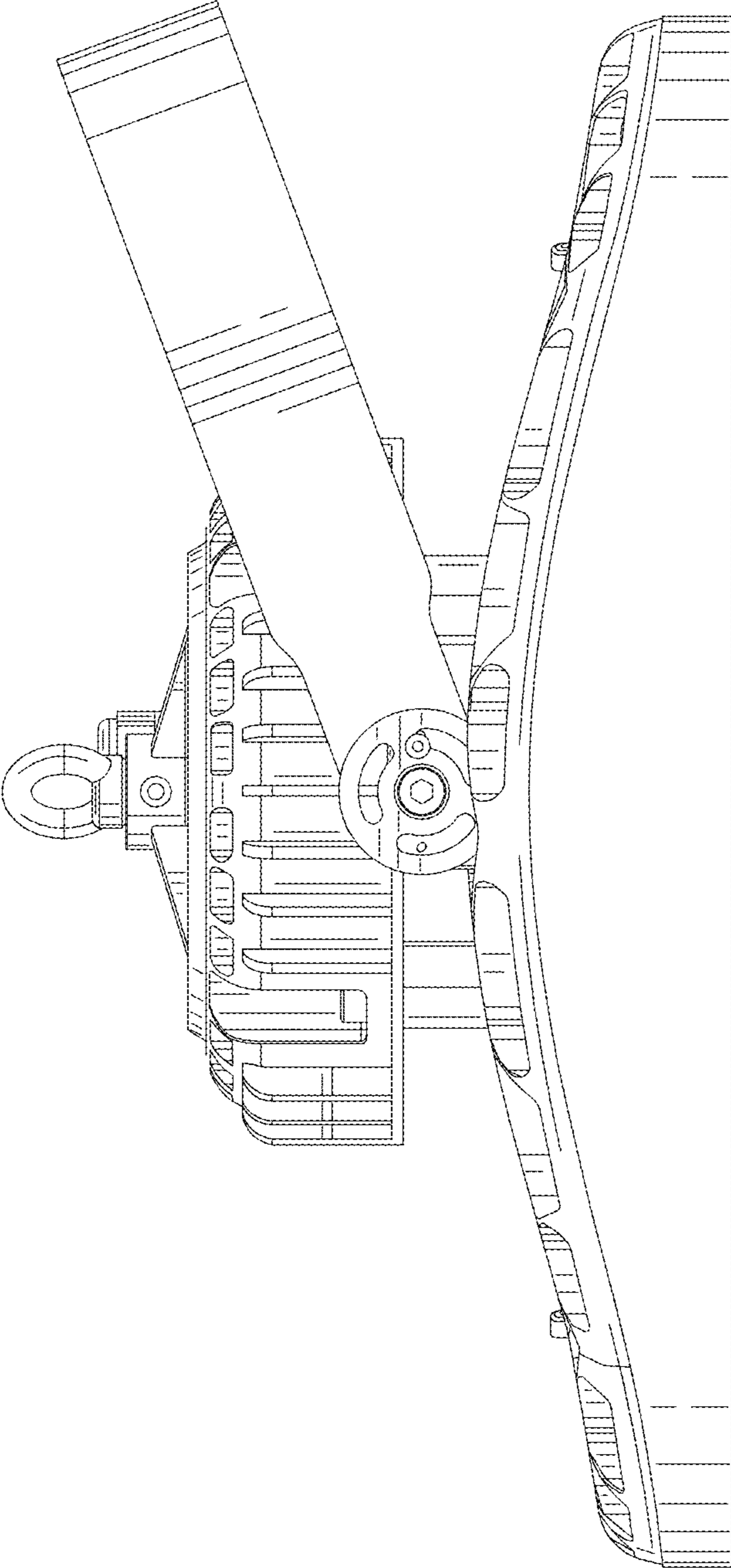


FIG. 6

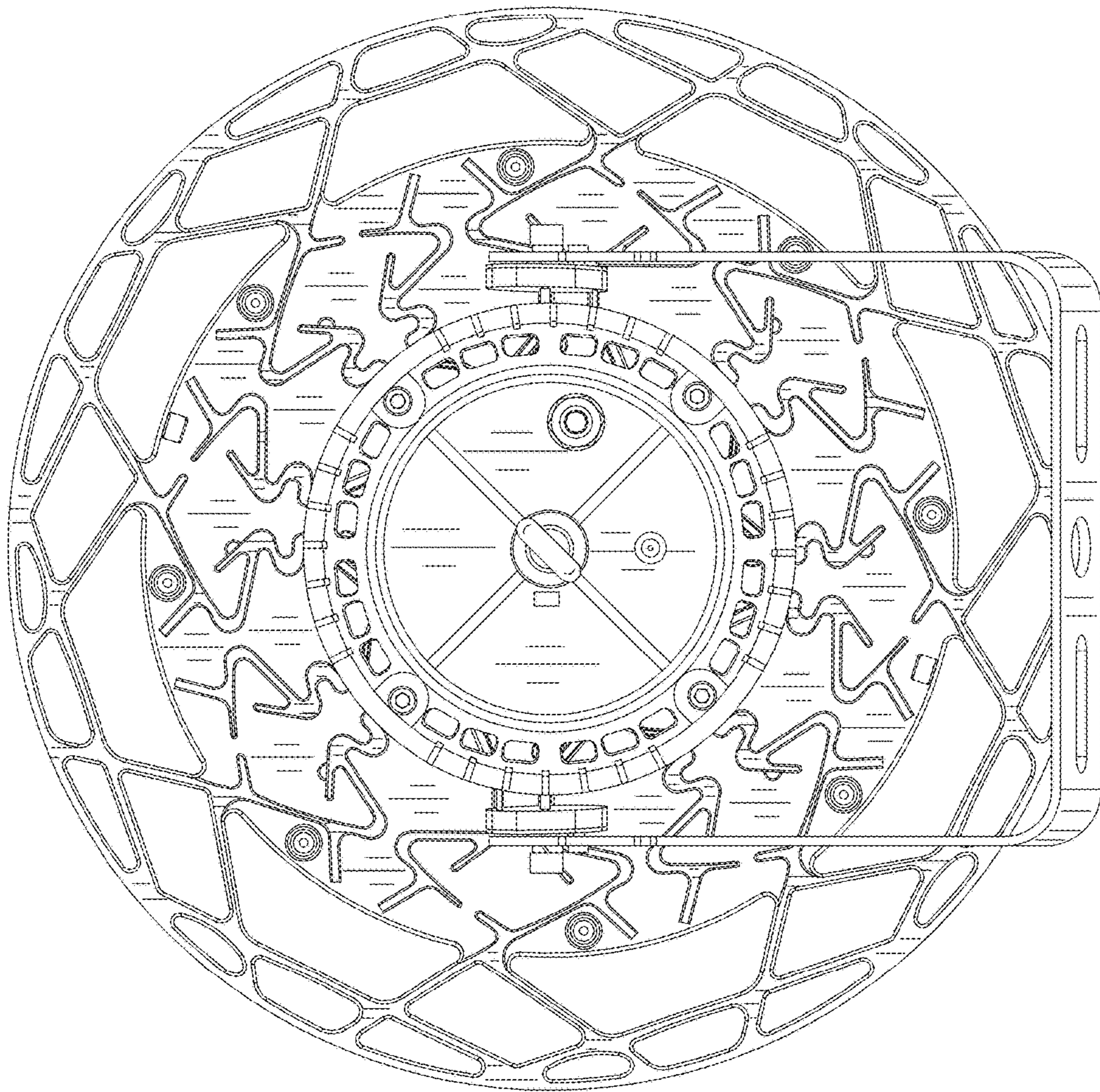


FIG. 7

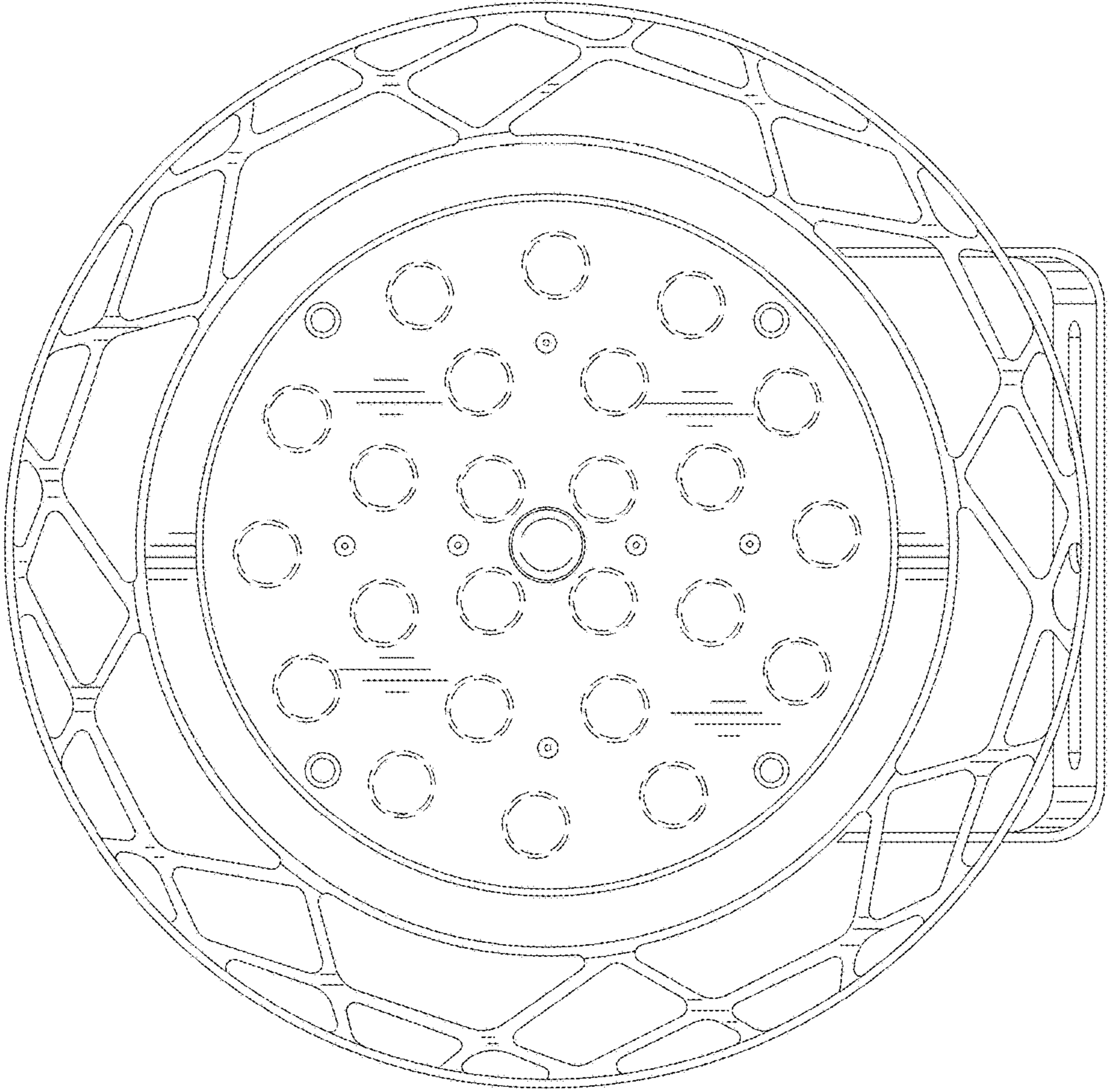


FIG. 8