



US00D828600S

(12) **United States Design Patent** (10) **Patent No.:** **US D828,600 S**  
**Petzl** (45) **Date of Patent:** **\*\* Sep. 11, 2018**

(54) **LANTERN BOX**

(71) Applicant: **ZEDEL**, Crolles (FR)

(72) Inventor: **Paul Petzl**, Barraux (FR)

(73) Assignee: **ZEDEL**, Crolles (FR)

(\*\*) Term: **15 Years**

(21) Appl. No.: **29/591,396**

(22) Filed: **Jan. 19, 2017**

(30) **Foreign Application Priority Data**

Jul. 19, 2016 (EM) ..... 003311810-0001

(51) **LOC (11) Cl.** ..... **26-02**

(52) **U.S. Cl.**  
USPC ..... **D26/40**

(58) **Field of Classification Search**  
USPC ..... D26/37-51  
CPC ..... F21L 2003/00; F21L 4/00; F21L 4/005;  
F21L 4/02; F21L 4/025; F21L 4/027;  
F21L 4/04; F21L 4/08; F21L 2005/00;  
F21L 7/00; F21L 11/00; F21L 13/00;  
F21L 13/04; F21L 13/08; F21L 14/02;  
F21L 17/00; F21L 19/00

See application file for complete search history.

(56) **References Cited**

**U.S. PATENT DOCUMENTS**

D407,512 S \* 3/1999 Yuen ..... D26/41  
D429,832 S \* 8/2000 Poon ..... D26/40

D492,806 S \* 7/2004 Hsu ..... D26/40  
D525,740 S \* 7/2006 Parker ..... D26/104  
D535,410 S \* 1/2007 Lee ..... D26/28  
D548,864 S \* 8/2007 Lee ..... D26/38  
D568,512 S \* 5/2008 Shiu ..... D26/40  
D576,756 S \* 9/2008 DeBrunner ..... D26/40  
D599,923 S \* 9/2009 Shiu ..... D26/40  
D617,480 S \* 6/2010 Debrunner ..... D26/40  
D646,412 S \* 10/2011 Taiga ..... D26/41  
D652,162 S \* 1/2012 Wu ..... D26/47  
D667,577 S \* 9/2012 Wu ..... D26/49  
D711,572 S \* 8/2014 Kwon ..... D26/37

\* cited by examiner

*Primary Examiner* — Lakiya G Rogers

*Assistant Examiner* — Carissa C Fitts

(74) *Attorney, Agent, or Firm* — Oliff PLC

(57) **CLAIM**

The ornamental design for a lantern box, as shown and described.

**DESCRIPTION**

FIG. 1 is a front, top, left-side perspective view of the lantern box;

FIG. 2 is a front elevational view thereof;

FIG. 3 is a top plan view thereof;

FIG. 4 is a right-side elevational view thereof;

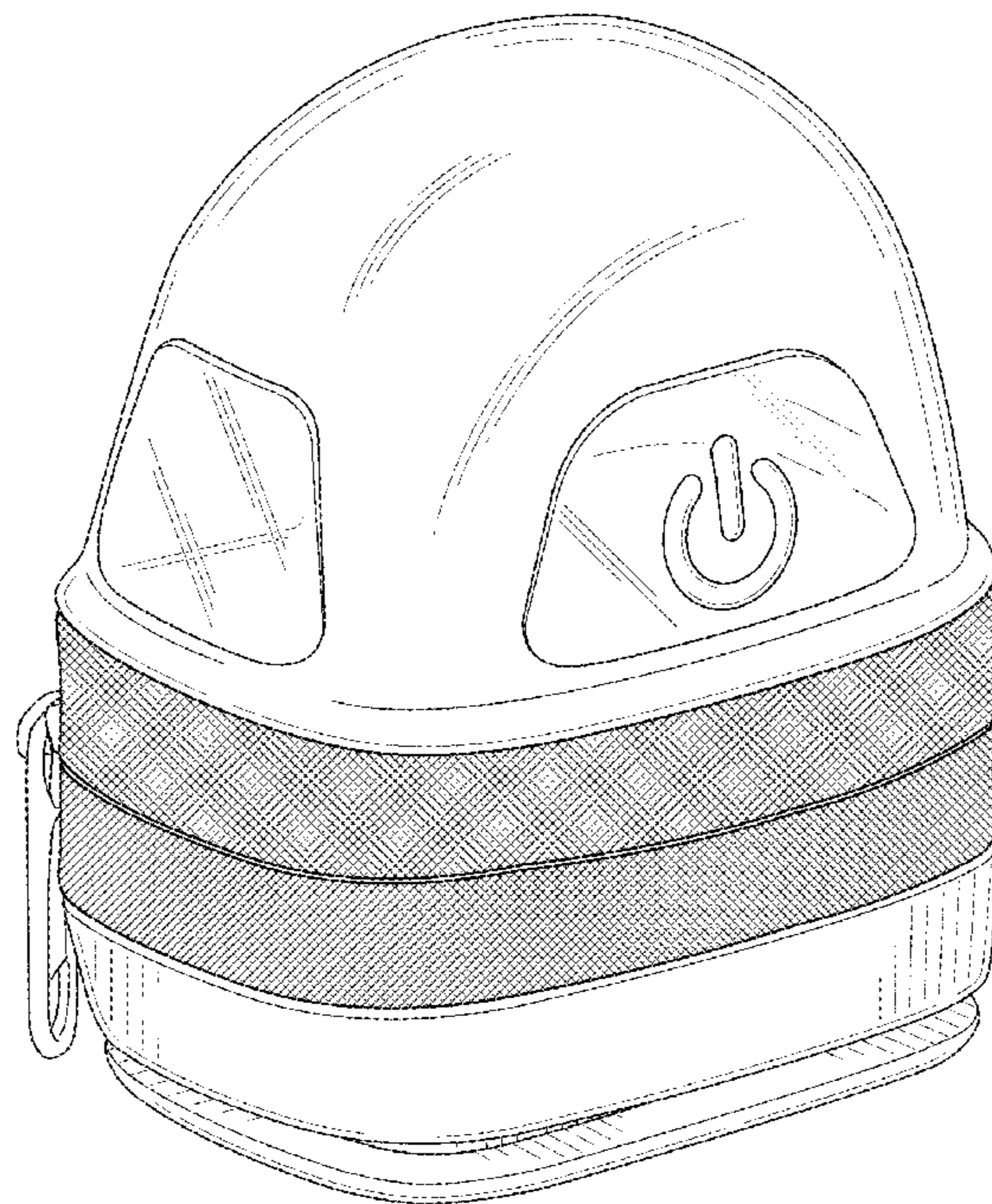
FIG. 5 is a left-side elevational view thereof;

FIG. 6 is a rear elevational view thereof; and,

FIG. 7 is a bottom plan view thereof.

The cross-hatching depicts areas of the lantern box having a surface composed of textured fabric.

**1 Claim, 7 Drawing Sheets**



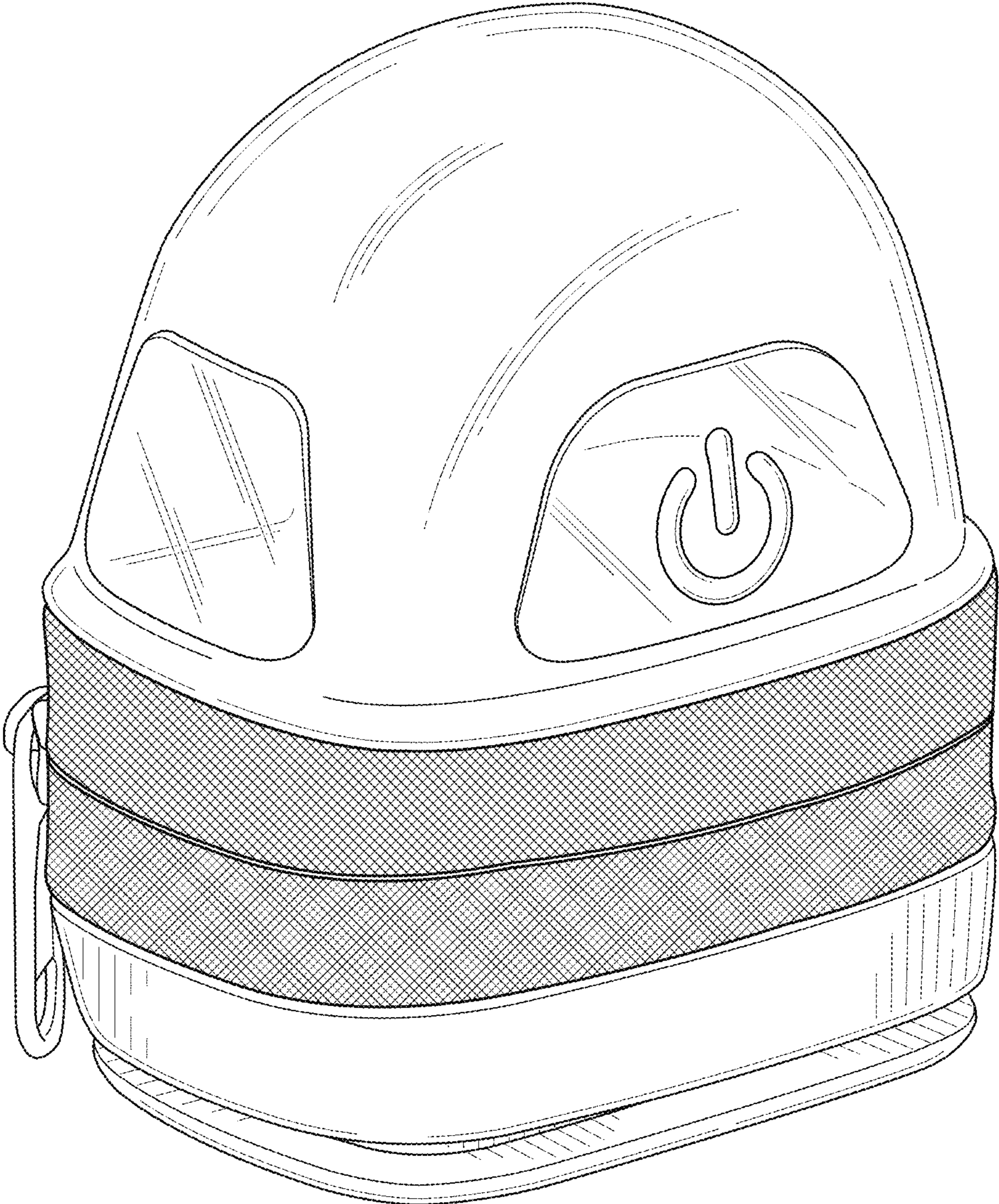


FIG. 1

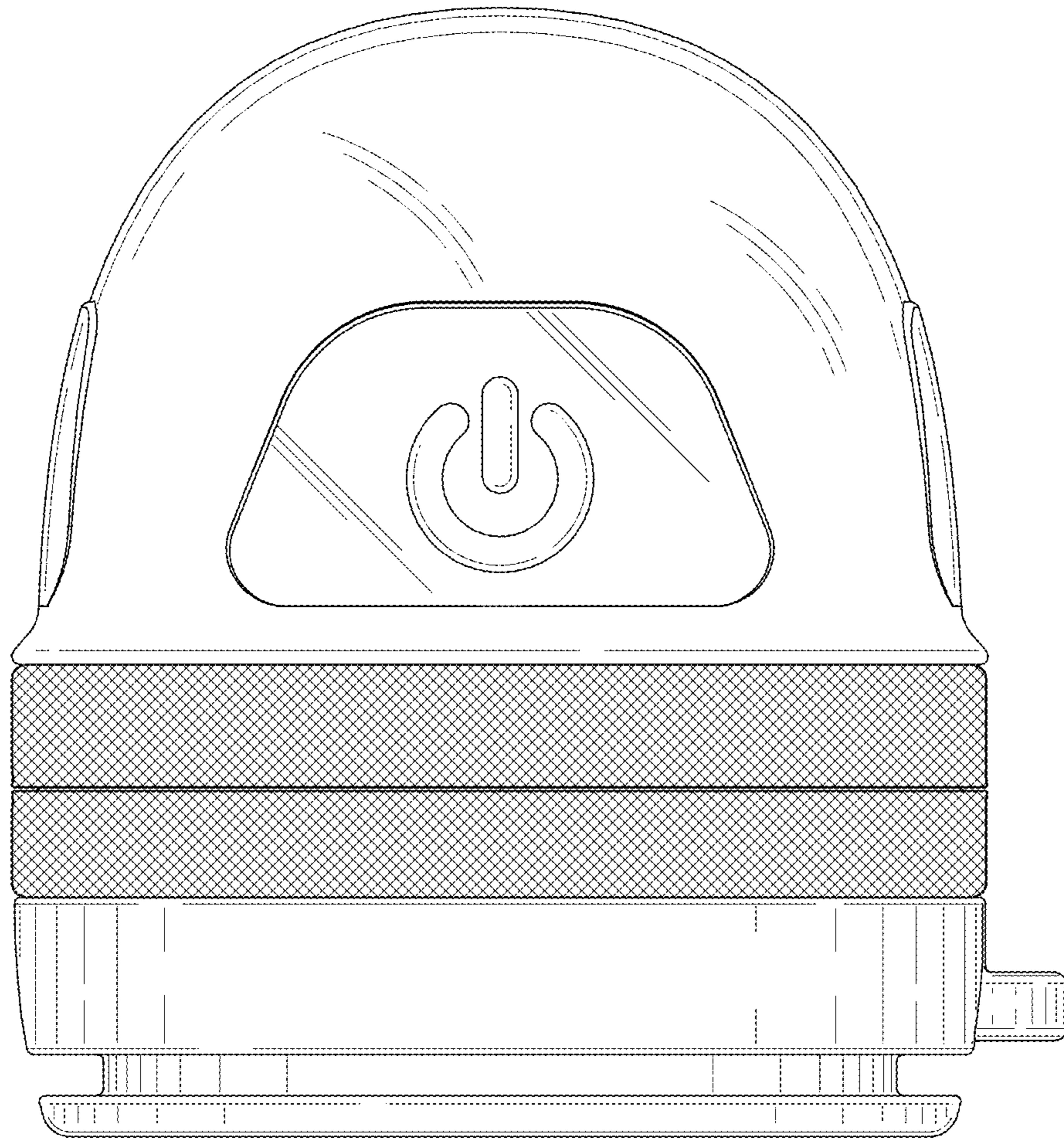


FIG. 2

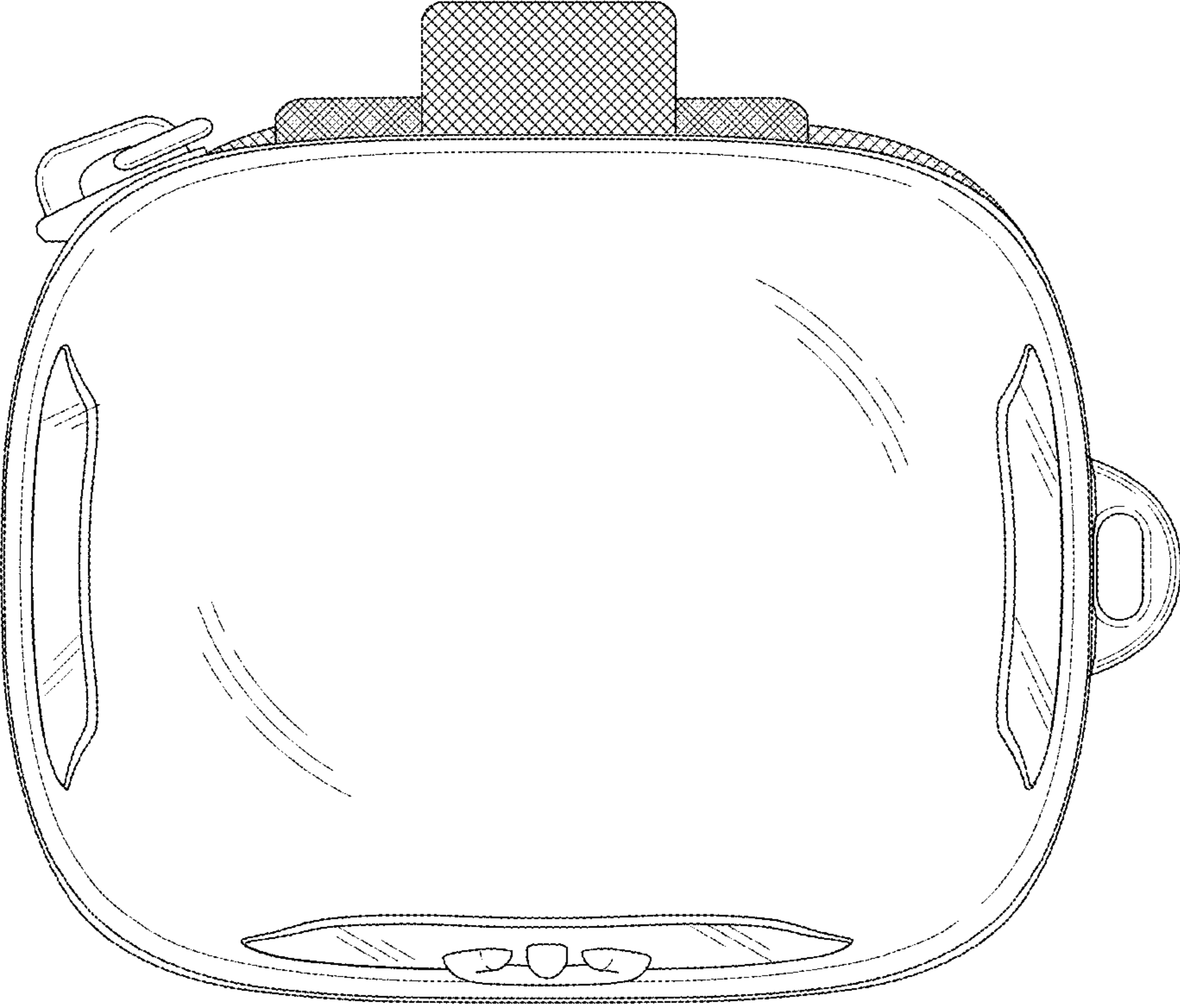


FIG. 3

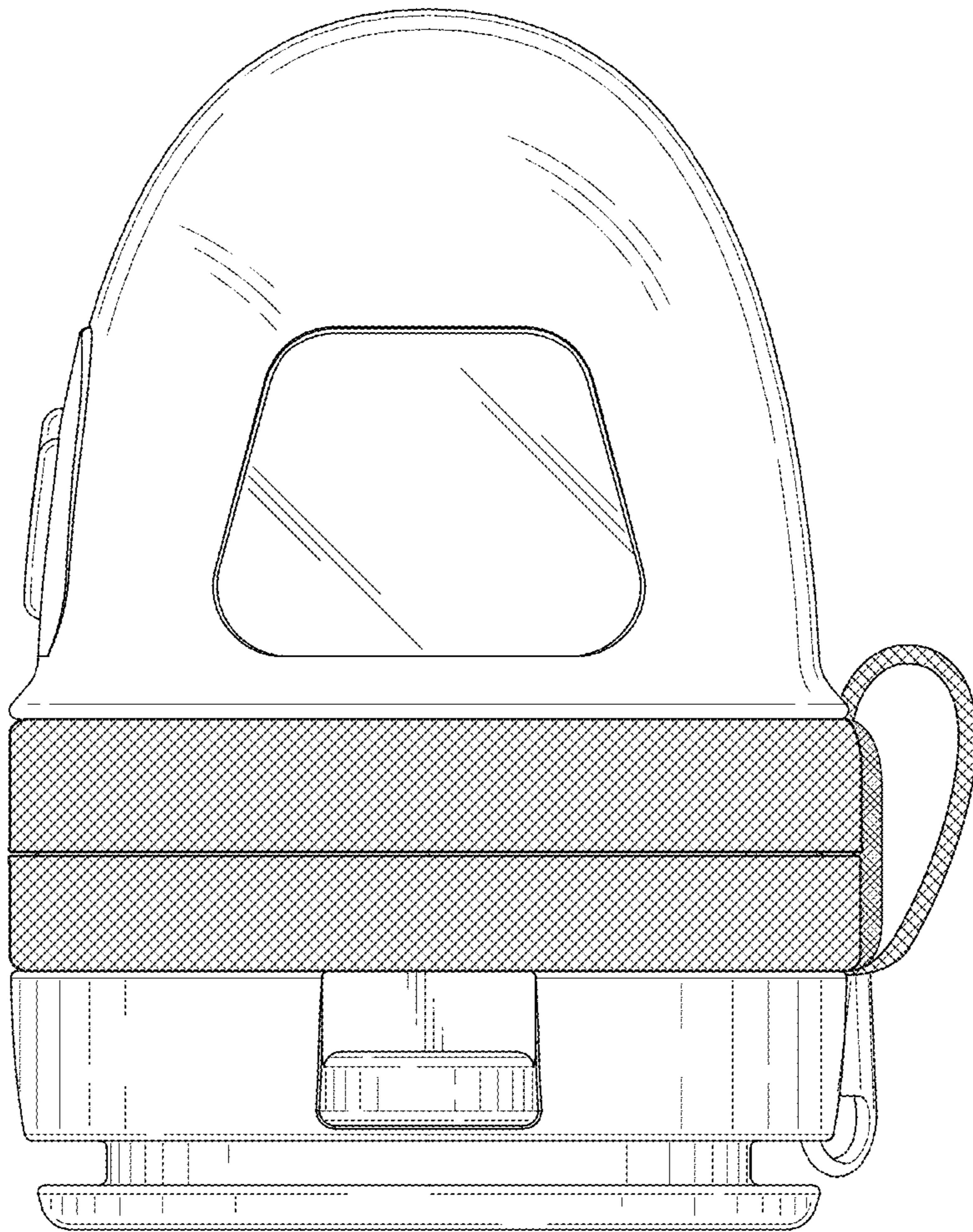


FIG. 4

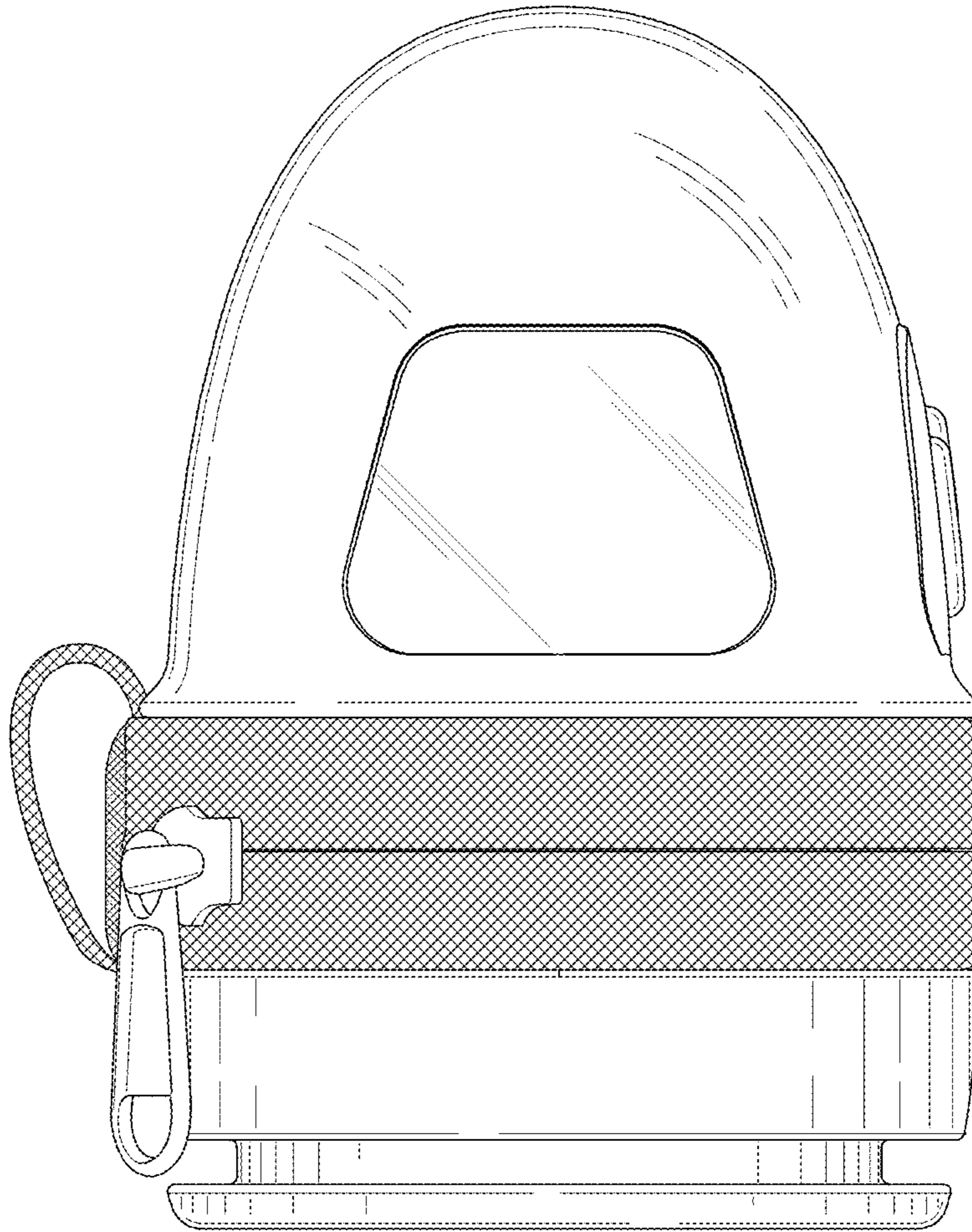


FIG. 5

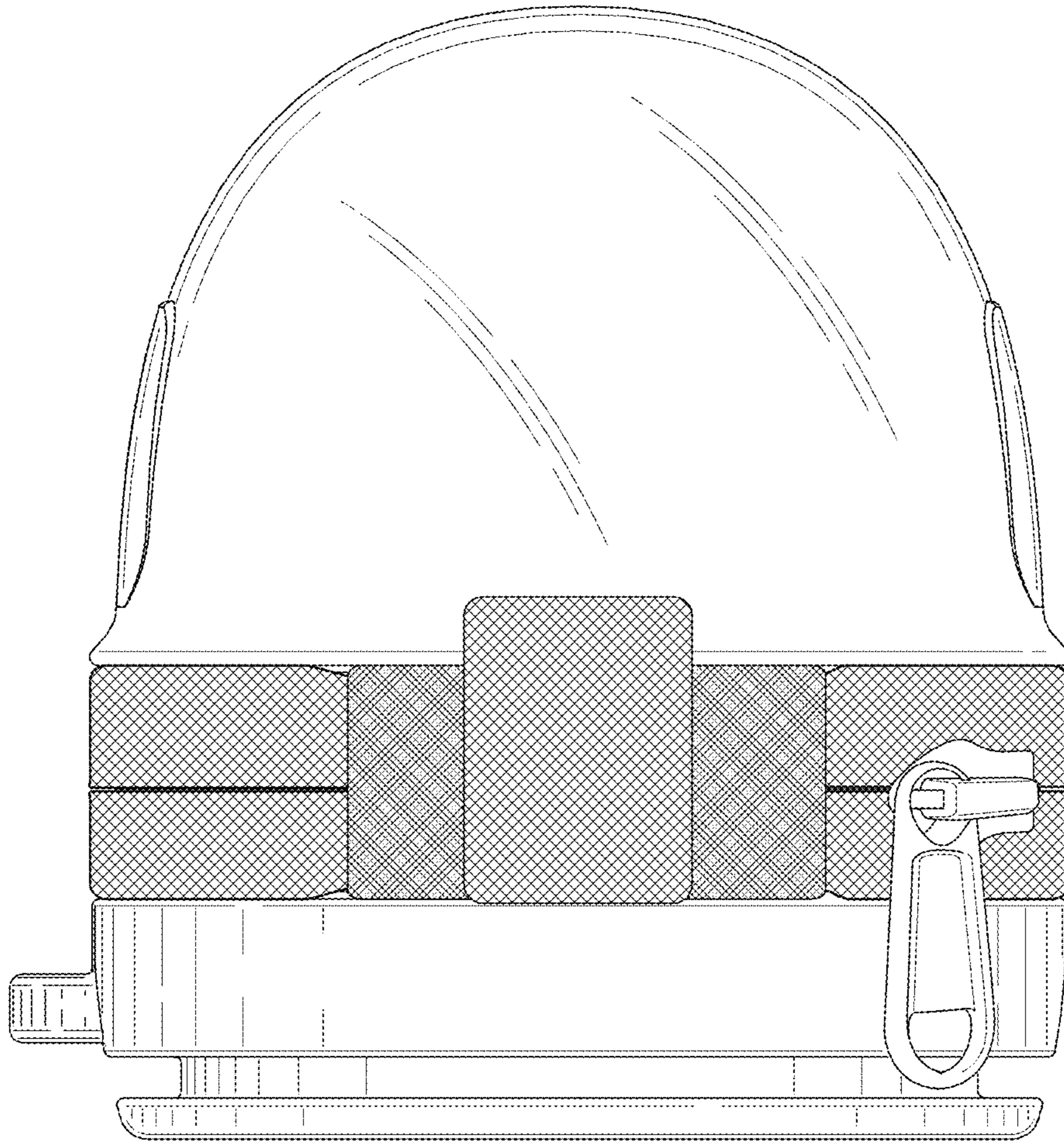


FIG. 6

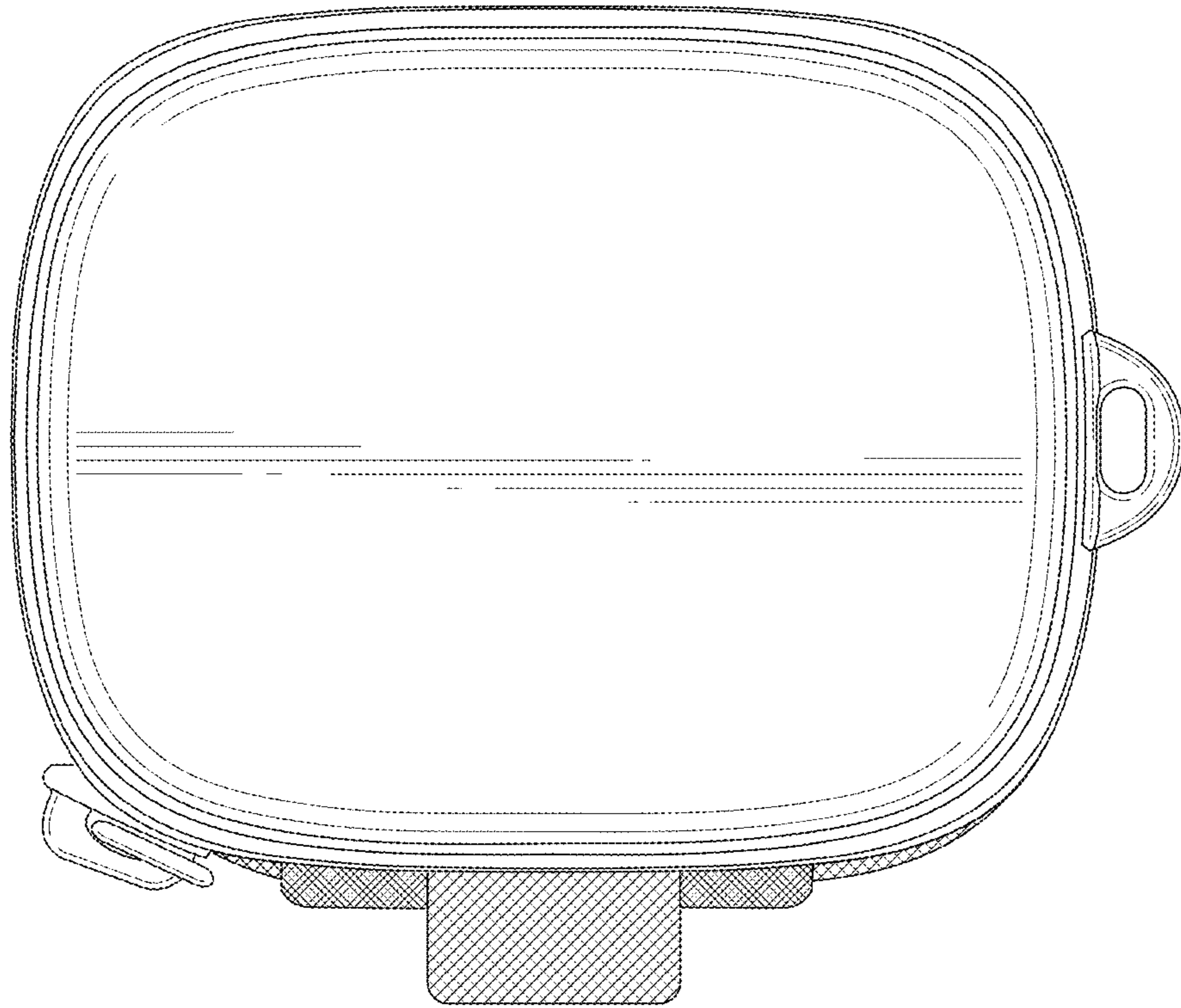


FIG. 7