



US00D828599S

(12) **United States Design Patent**  
**Petzl**

(10) **Patent No.:** **US D828,599 S**

(45) **Date of Patent:** **\*\* Sep. 11, 2018**

(54) **HEADLAMP**

(71) Applicant: **ZEDEL**, Crolles (FR)

(72) Inventor: **Paul Petzl**, Barraux (FR)

(73) Assignee: **ZEDEL**, Crolles (FR)

(\*\*) Term: **15 Years**

(21) Appl. No.: **29/596,478**

(22) Filed: **Mar. 8, 2017**

(30) **Foreign Application Priority Data**

Sep. 8, 2016 (EM) ..... 003370386-0001  
Sep. 8, 2016 (EM) ..... 003370386-0004

(51) **LOC (11) Cl.** ..... **26-02**

(52) **U.S. Cl.**  
USPC ..... **D26/39**

(58) **Field of Classification Search**  
USPC ..... D26/37-51  
CPC ..... F21L 2003/00; F21L 4/00; F21L 4/005;  
F21L 4/02; F21L 4/025; F21L 4/027;  
F21L 4/04; F21L 4/08; F21L 2005/00;  
F21L 7/00; F21L 11/00; F21L 13/00;  
F21L 13/04; F21L 13/08; F21L 14/02;  
F21L 17/00

See application file for complete search history.

(56) **References Cited**

**U.S. PATENT DOCUMENTS**

D597,676 S \* 8/2009 Copeland ..... D24/187  
D672,893 S \* 12/2012 Inskip ..... D26/39  
D677,816 S \* 3/2013 Petzl ..... D26/39  
D680,250 S \* 4/2013 Opolka ..... D26/39  
D693,040 S \* 11/2013 Svensson ..... D26/39  
D708,793 S \* 7/2014 Silverlieb ..... D26/38  
D713,575 S \* 9/2014 Ferguson ..... D26/39  
D736,979 S \* 8/2015 Petzl ..... D26/39

D736,980 S \* 8/2015 Petzl ..... D26/39  
D739,061 S \* 9/2015 Petzl ..... D26/39  
D752,262 S \* 3/2016 Jones ..... D26/39  
D759,839 S \* 6/2016 Hagood ..... D24/231  
D791,991 S \* 7/2017 Brauser ..... D26/39

\* cited by examiner

*Primary Examiner* — Lakiya G Rogers

*Assistant Examiner* — Carissa C Fitts

(74) *Attorney, Agent, or Firm* — Oliff PLC

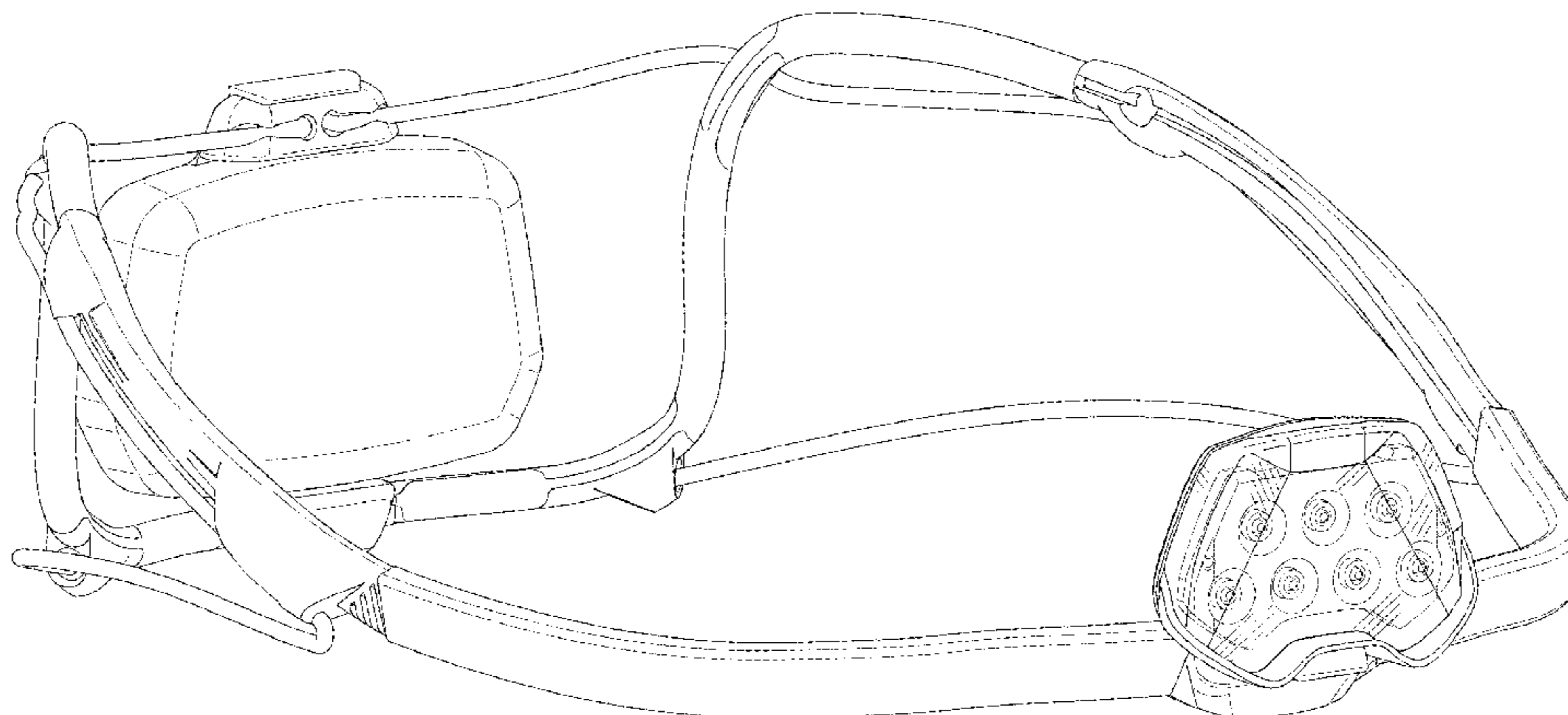
(57) **CLAIM**

The ornamental design for a headlamp, as shown and described.

**DESCRIPTION**

FIG. 1 is a front, right-side, top perspective view of the headlamp in a first configuration;  
FIG. 2 is a front elevational view thereof;  
FIG. 3 is a top plan view thereof;  
FIG. 4 is a right-side elevational view thereof;  
FIG. 5 is a left-side elevational view thereof;  
FIG. 6 is a rear elevational view thereof;  
FIG. 7 is a bottom plan view thereof;  
FIG. 8 is a rear, left-side, bottom perspective view thereof;  
FIG. 9 is a front, right-side top perspective view of the headlamp in a second configuration;  
FIG. 10 is a front, top perspective view thereof;  
FIG. 11 is a bottom plan view thereof;  
FIG. 12 is a left-side elevational view thereof;  
FIG. 13 is a right-side elevational view thereof;  
FIG. 14 is a top, rear perspective view thereof;  
FIG. 15 is a top plan view thereof;  
FIG. 16 is a rear, left-side, bottom perspective view thereof;  
FIG. 17 is a top, front perspective view of the headlamp in a third configuration;  
FIG. 18 is a right-side elevational view thereof; and,  
FIG. 19 is a rear, bottom perspective view thereof.

**1 Claim, 18 Drawing Sheets**



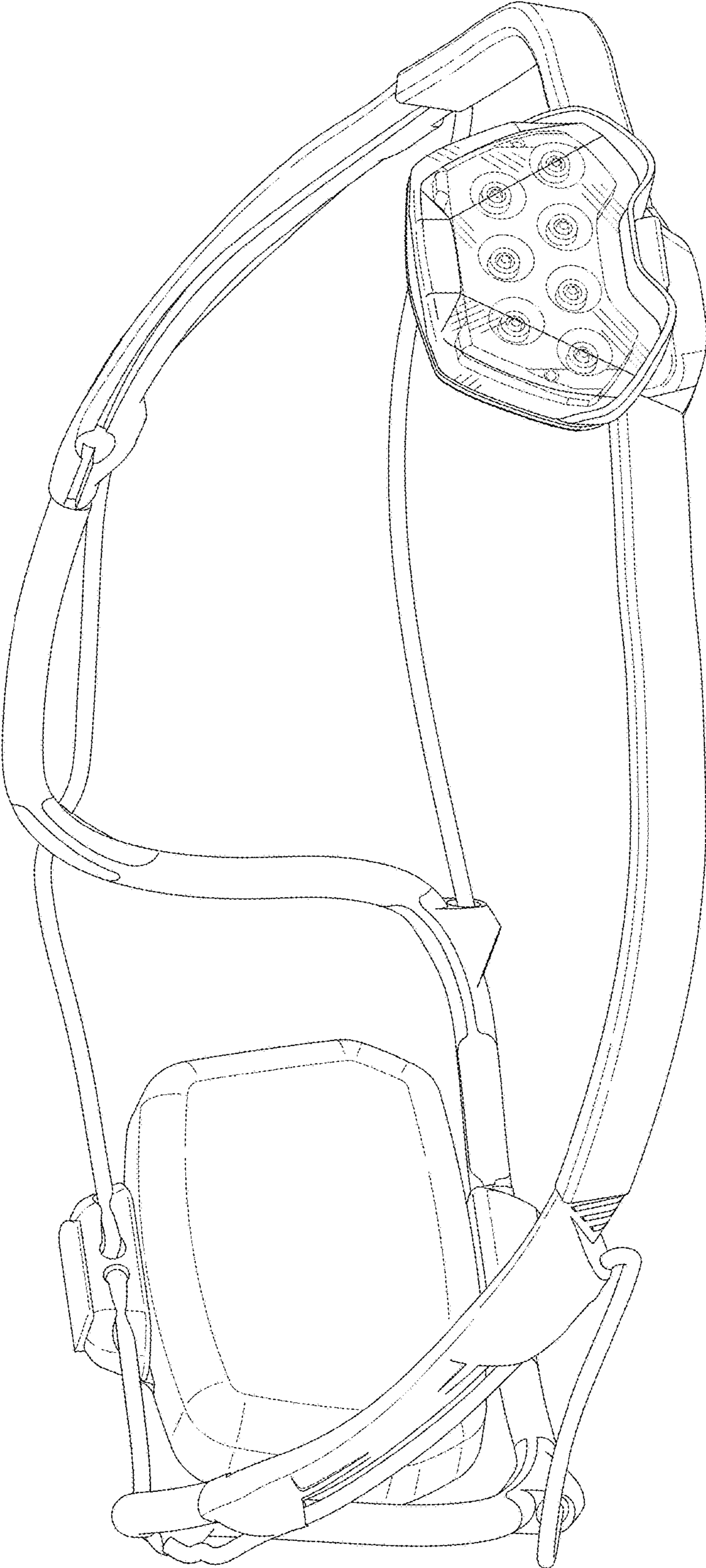


FIG. 1

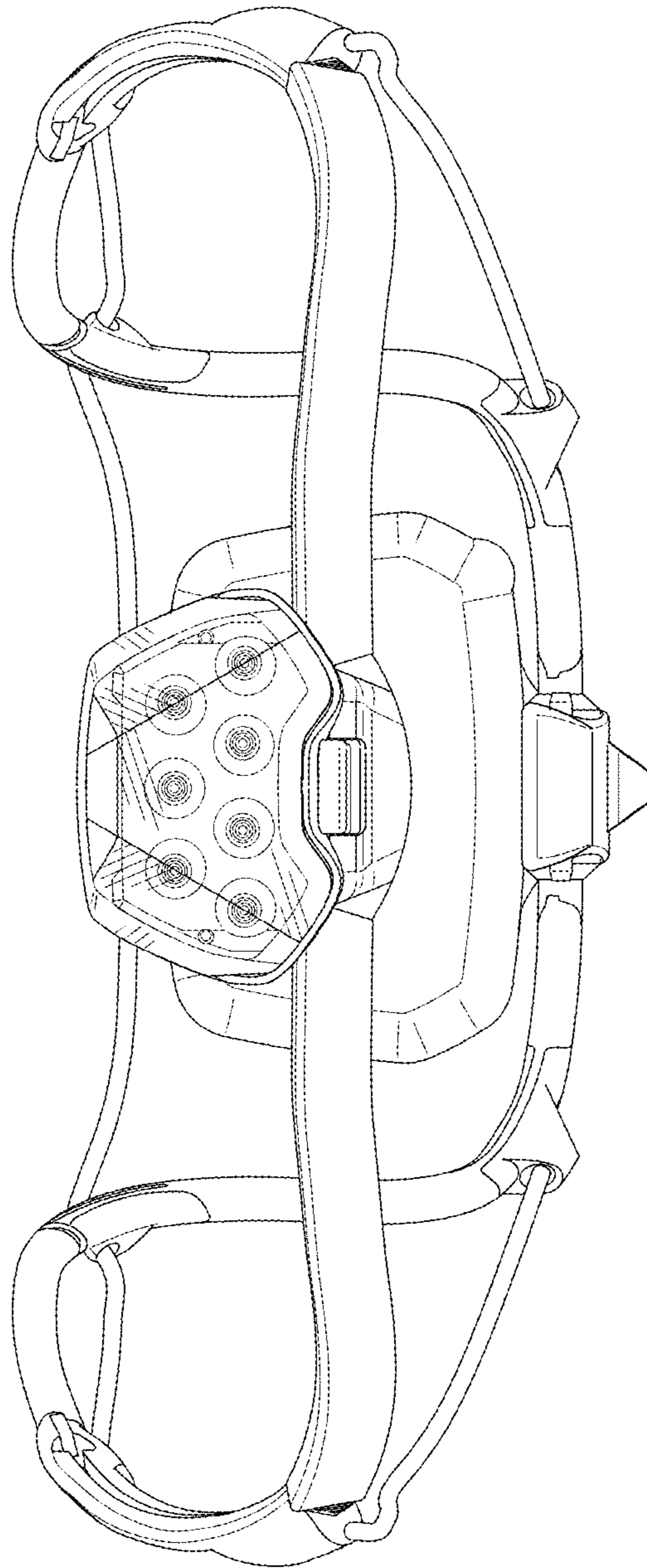


FIG. 2



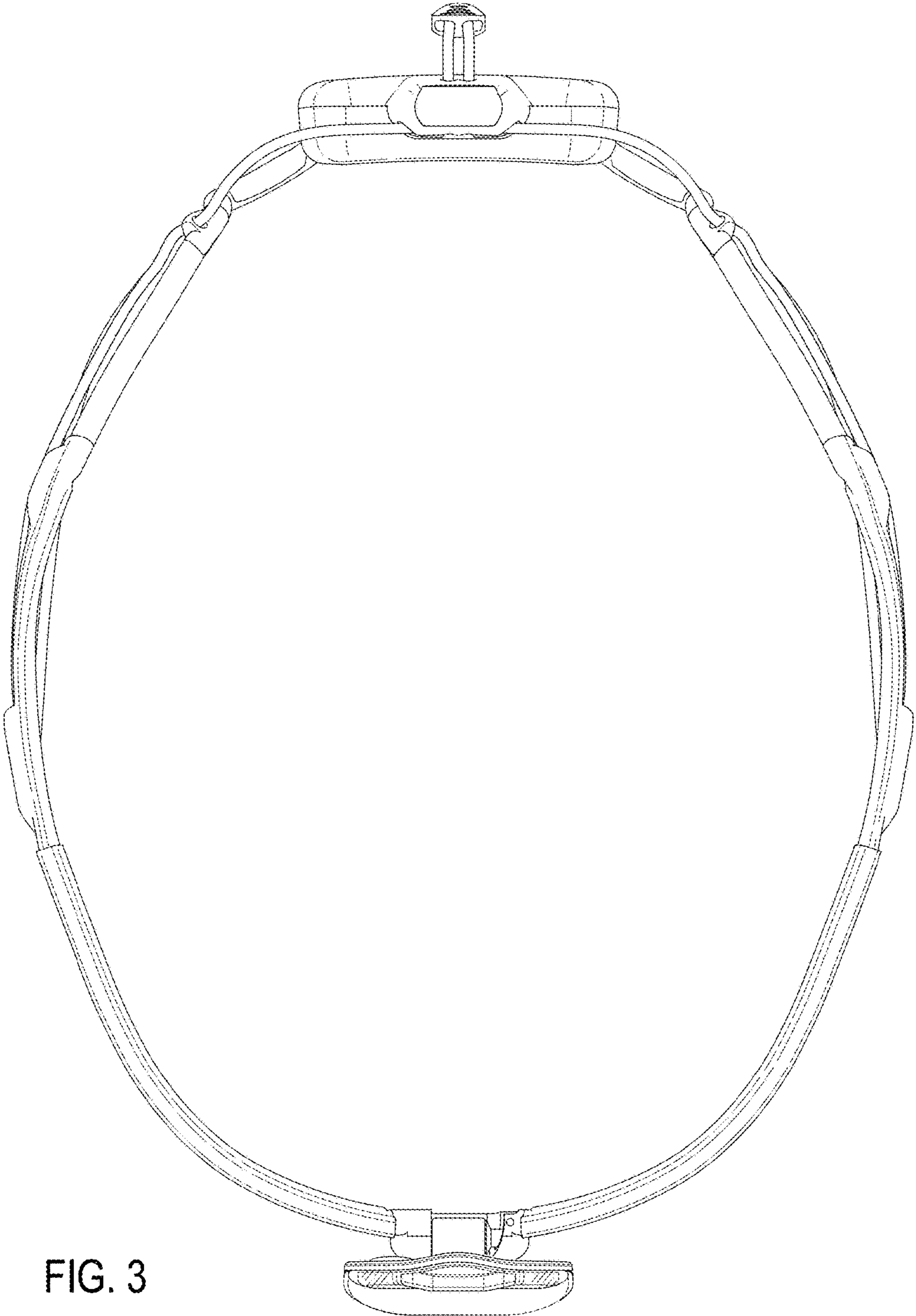
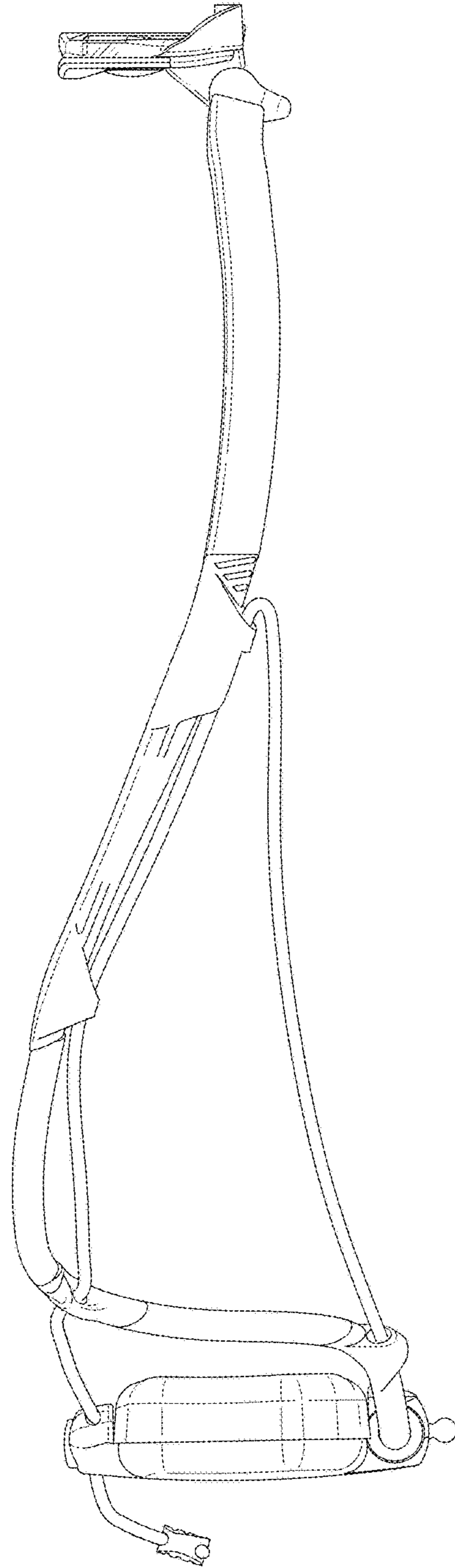
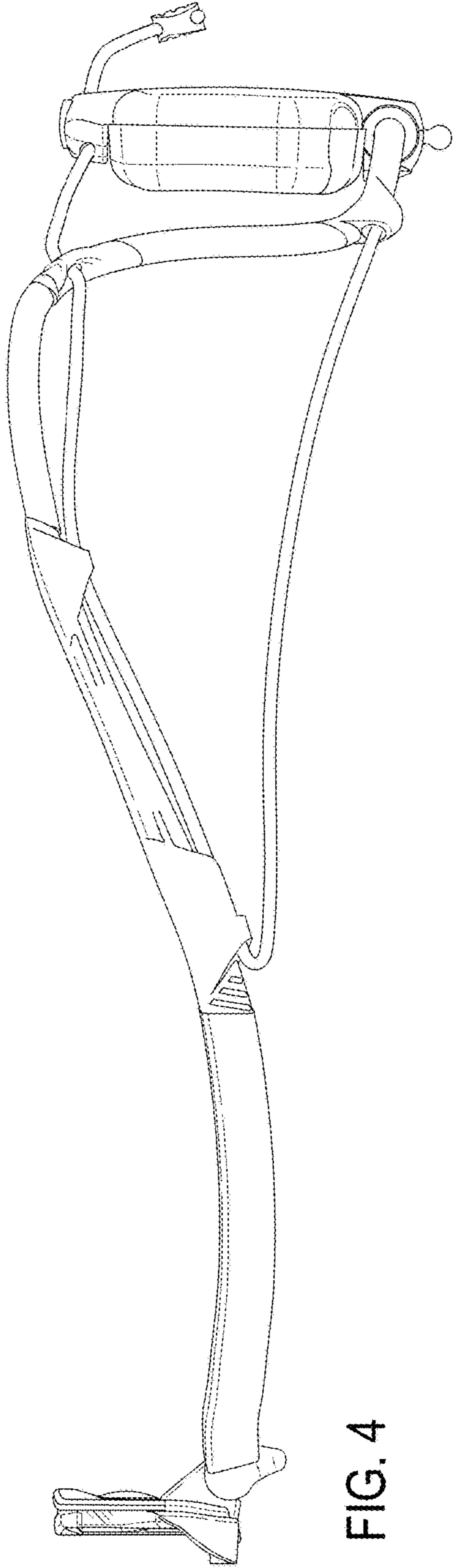


FIG. 3



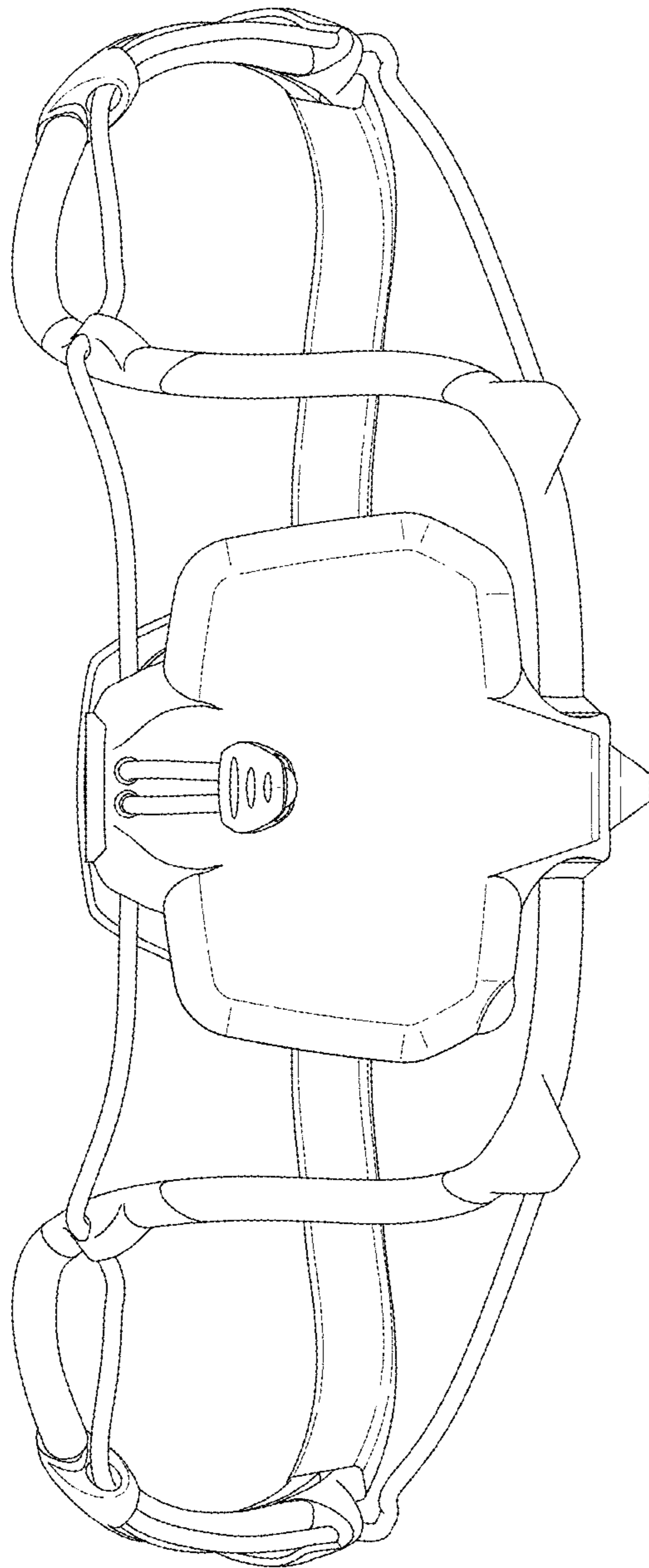


FIG. 6

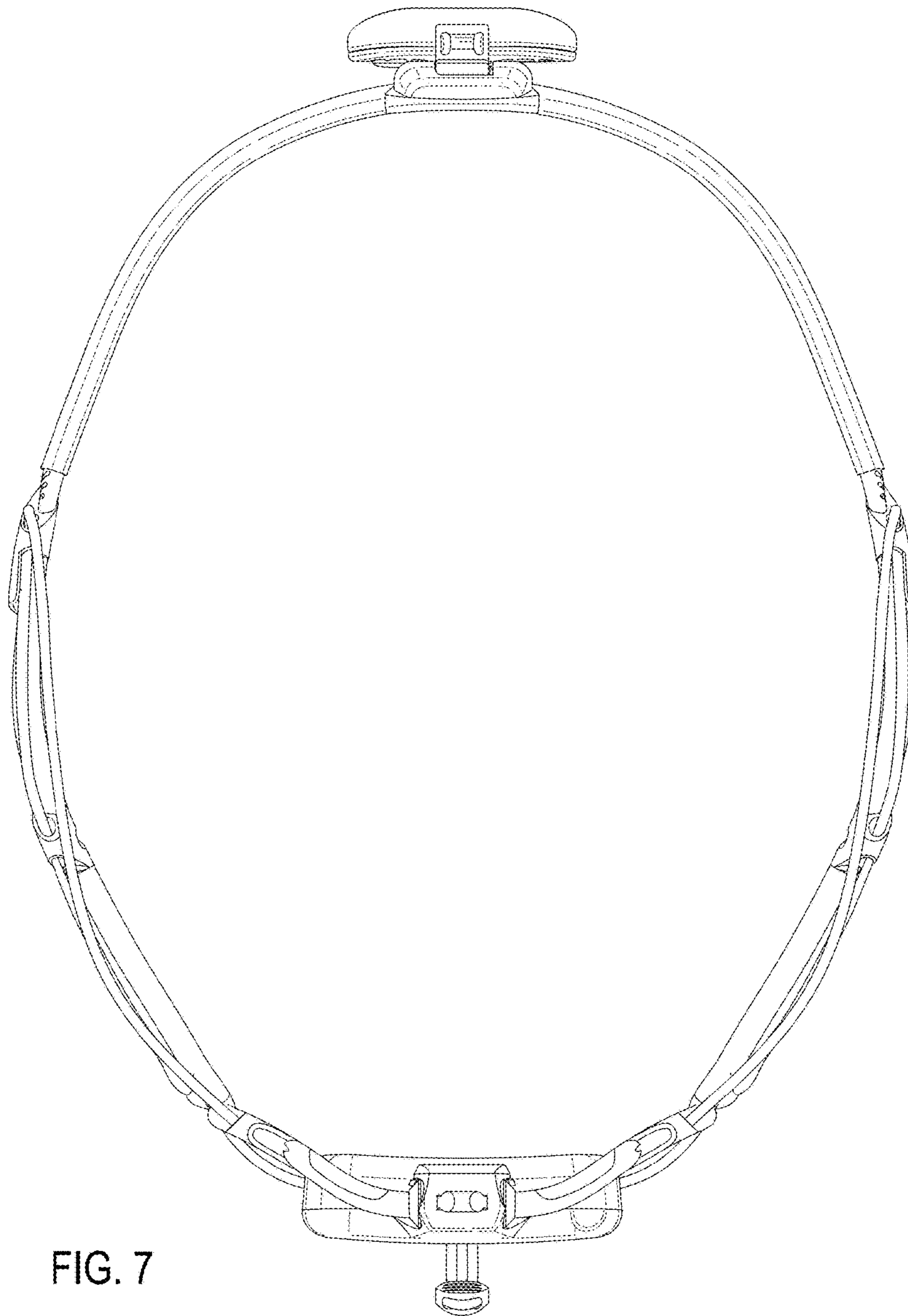


FIG. 7

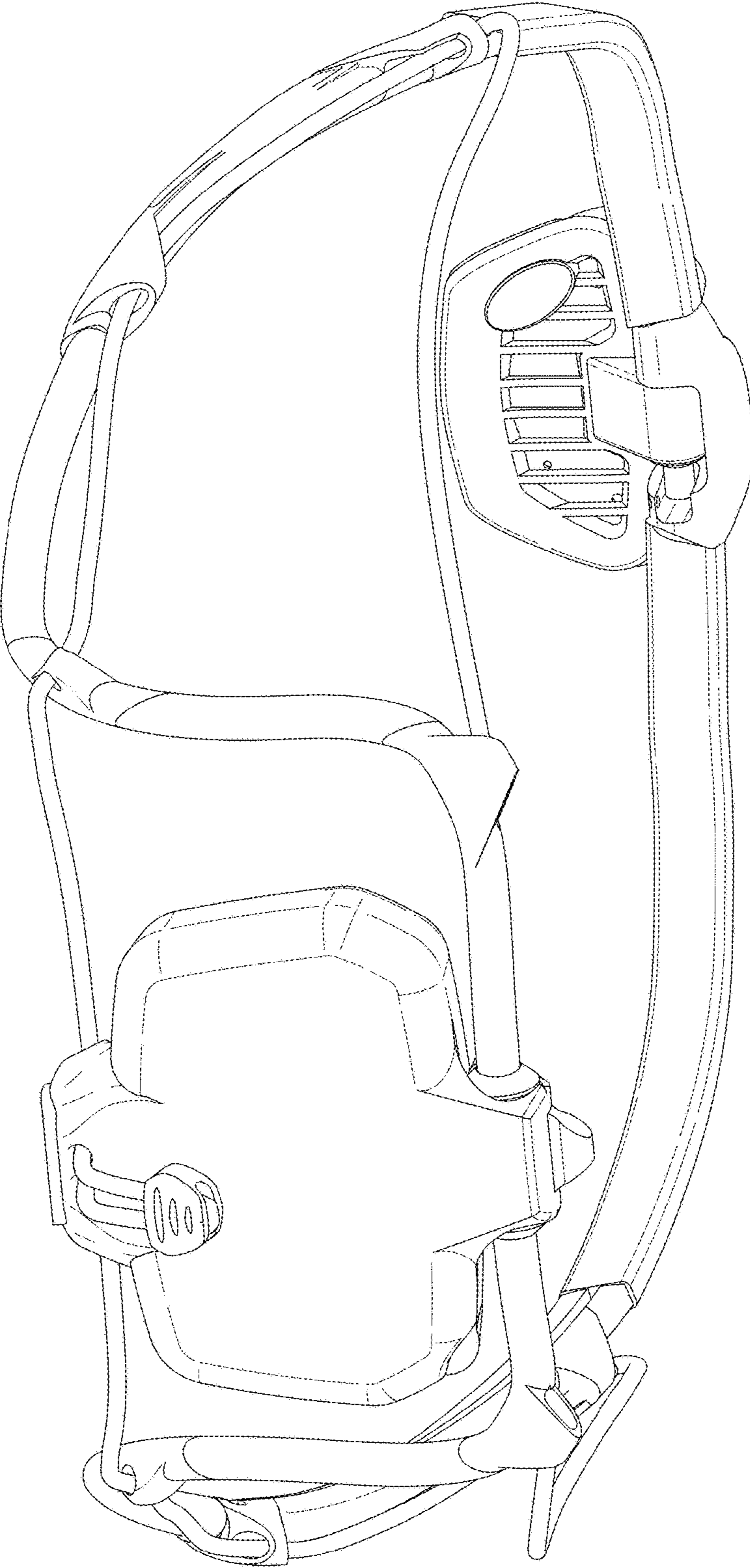


FIG. 8



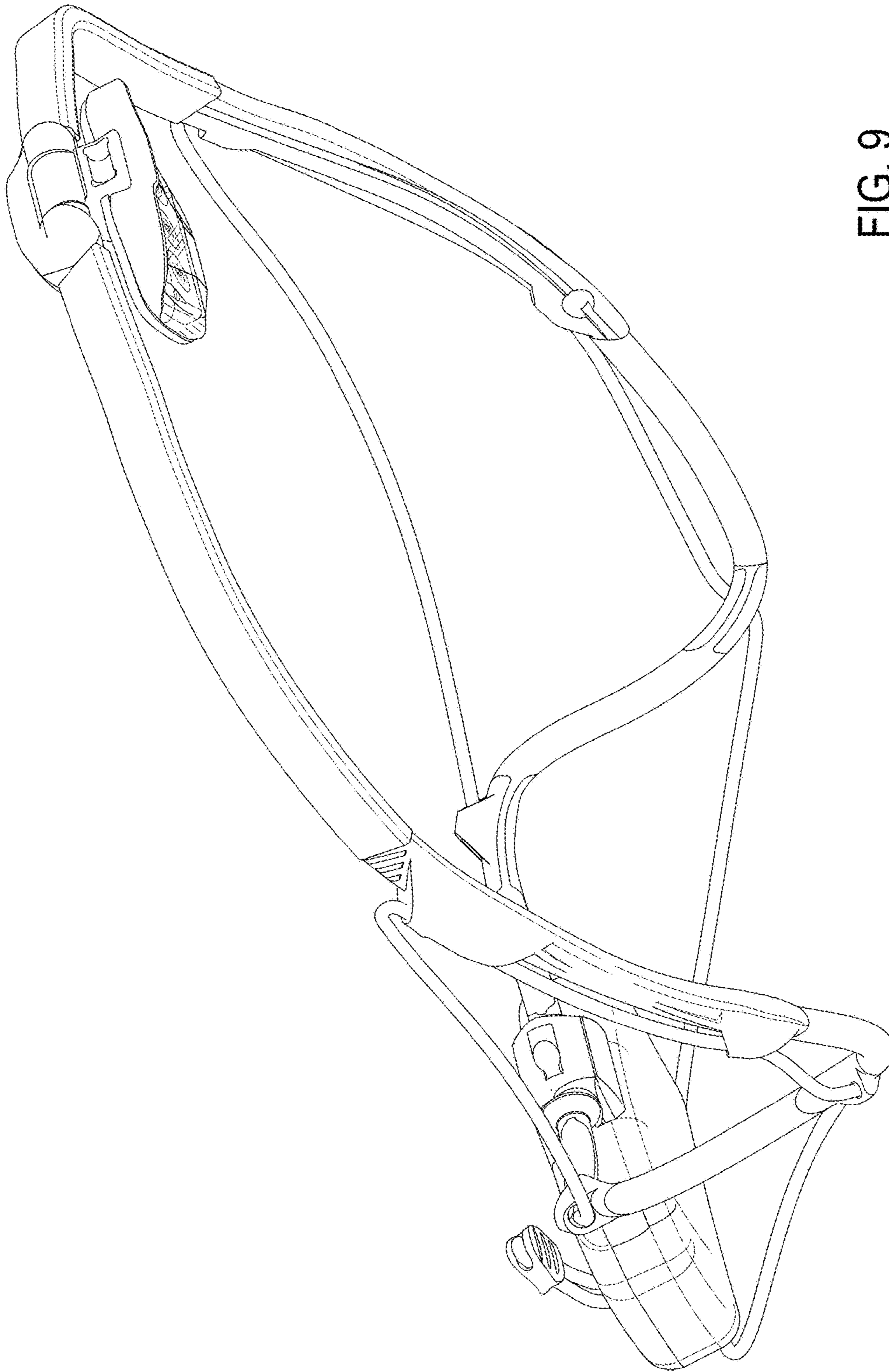


FIG. 9

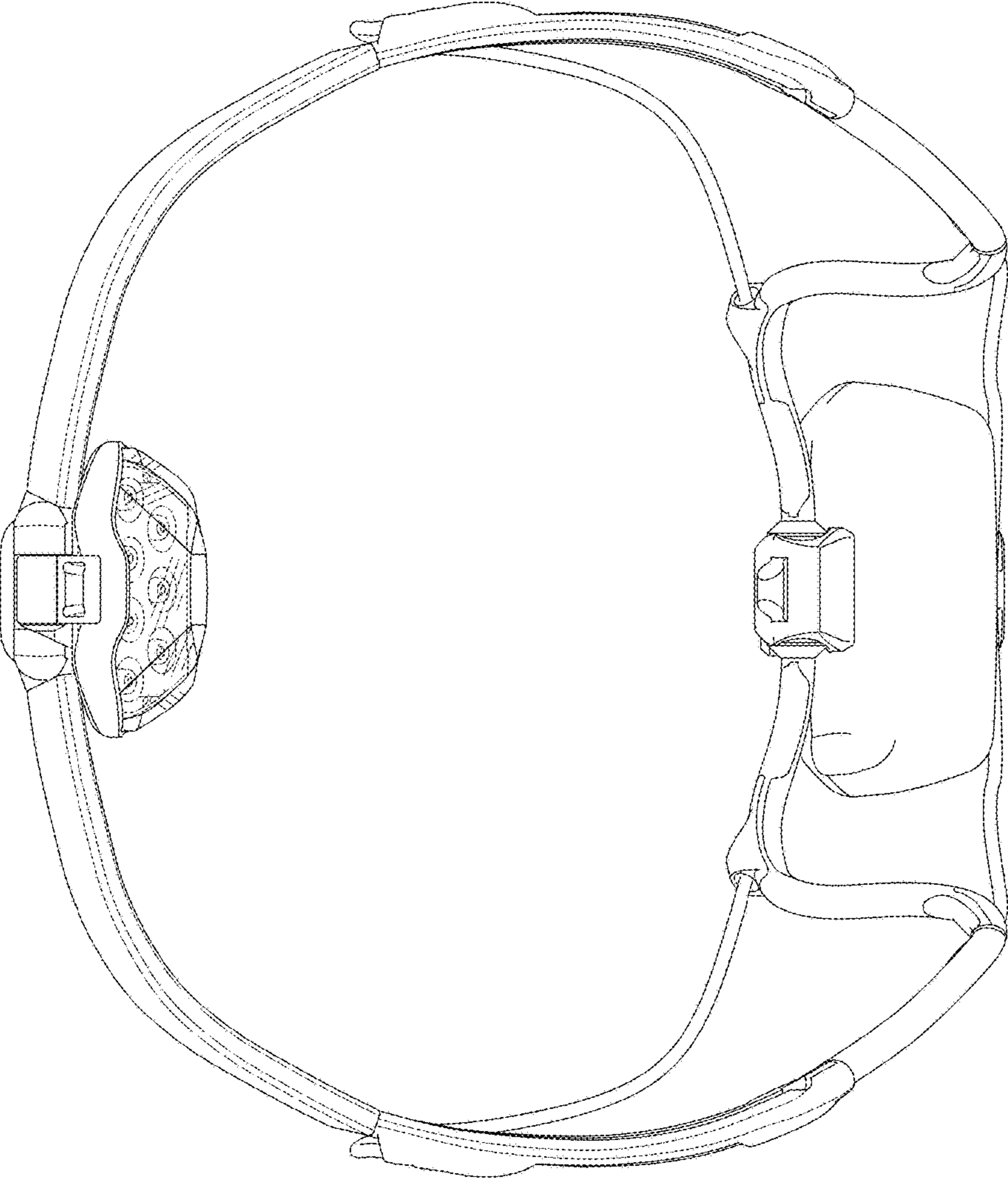


FIG. 10

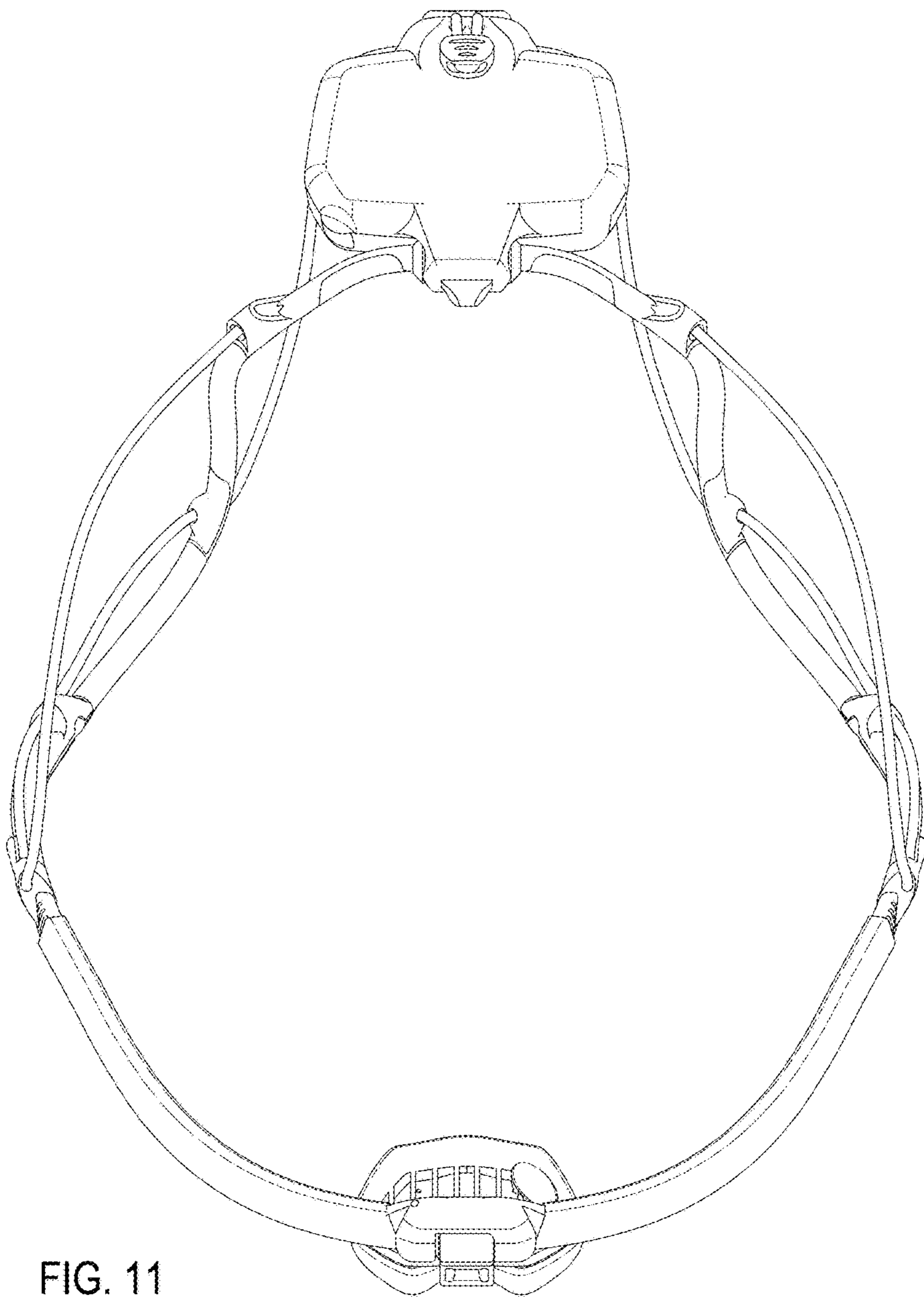


FIG. 11

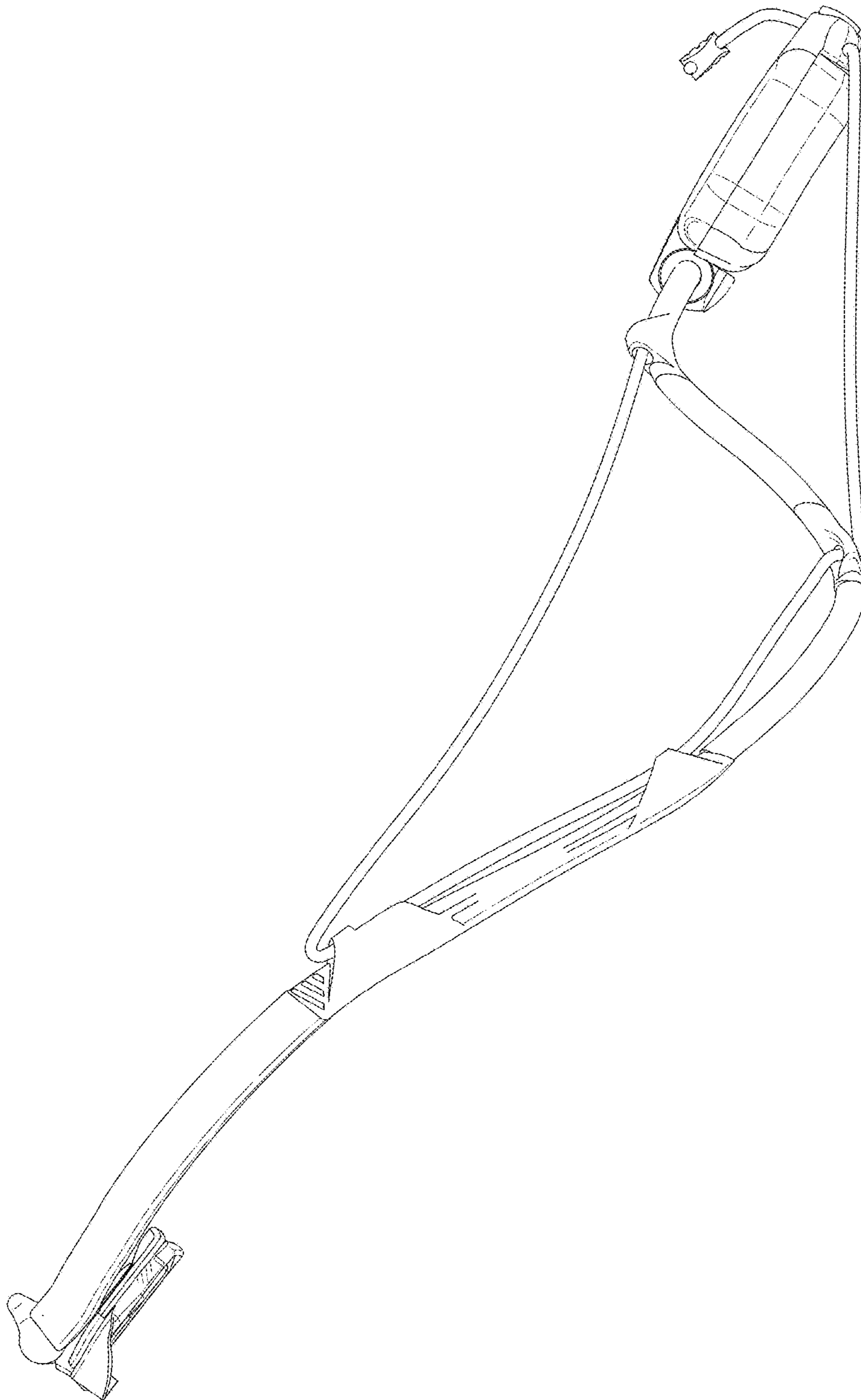


FIG. 12



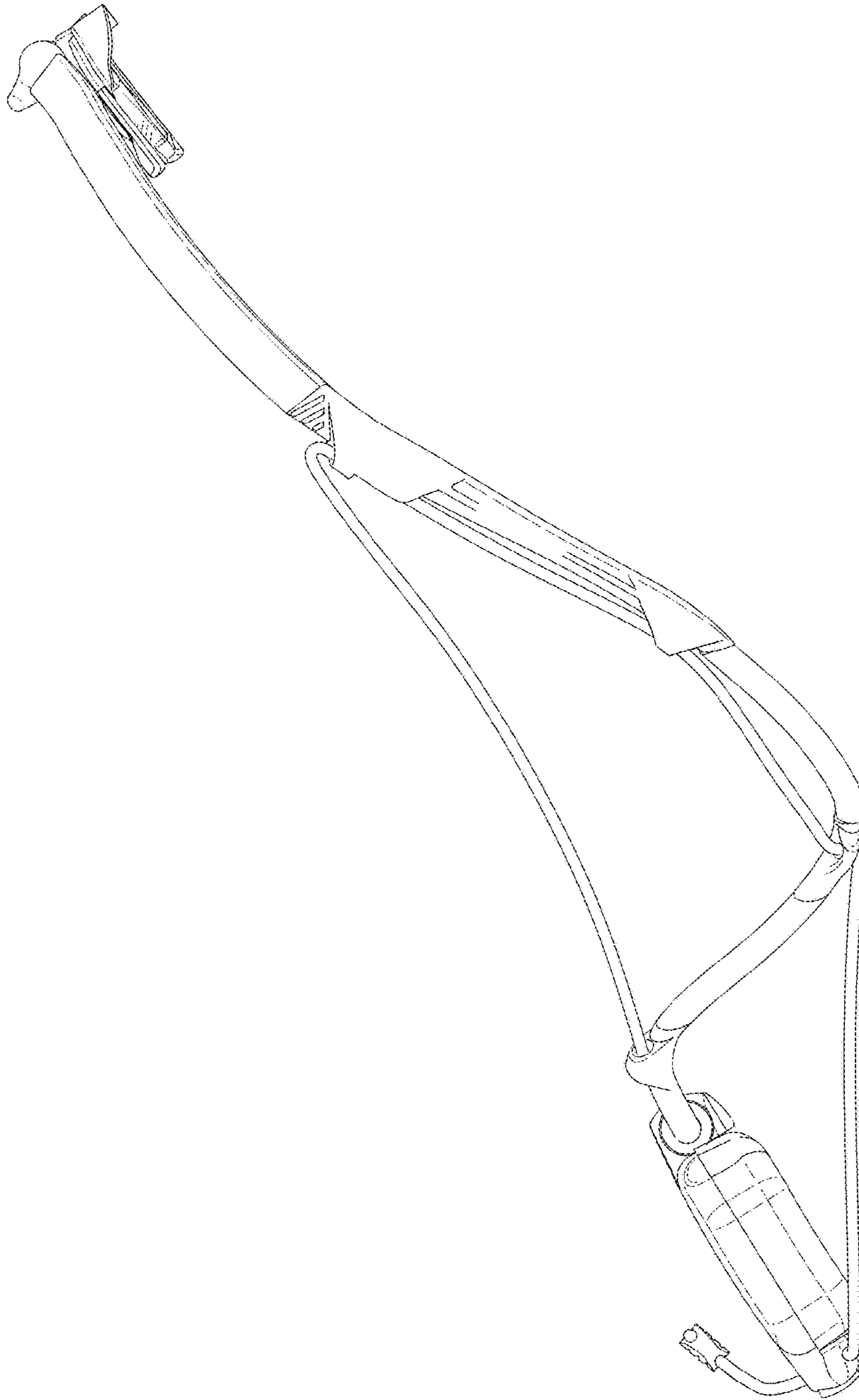


FIG. 13

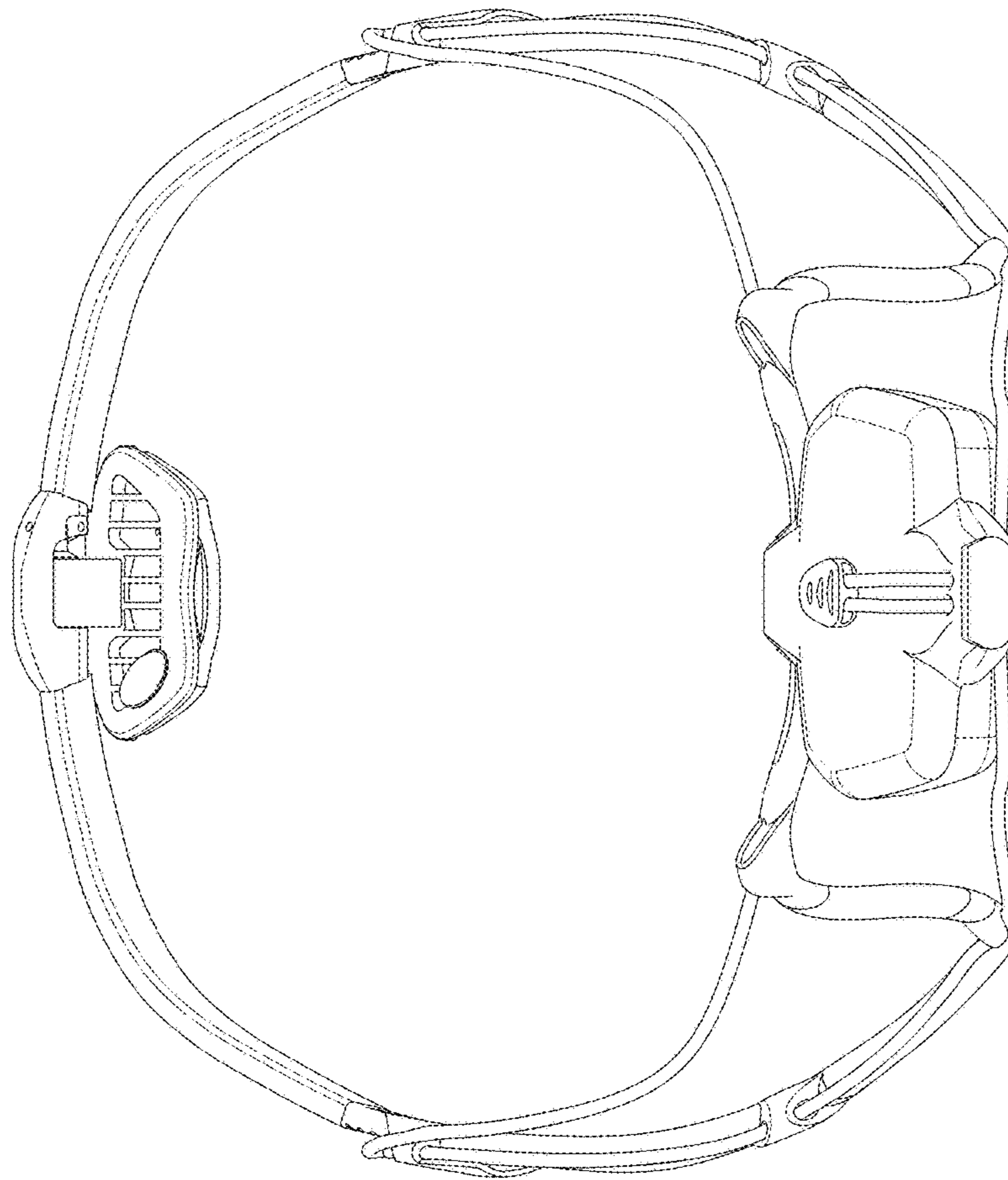


FIG. 14

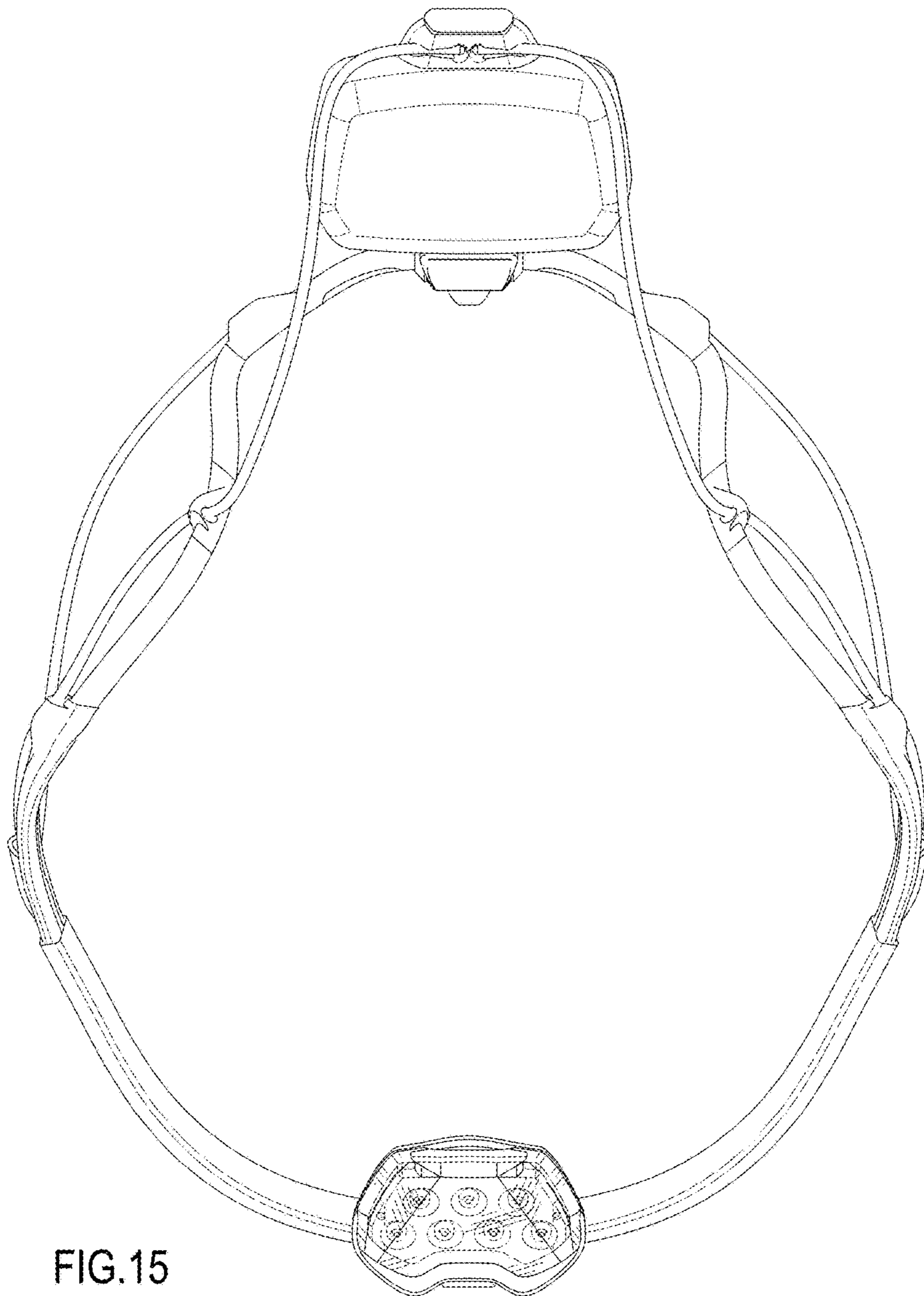


FIG.15

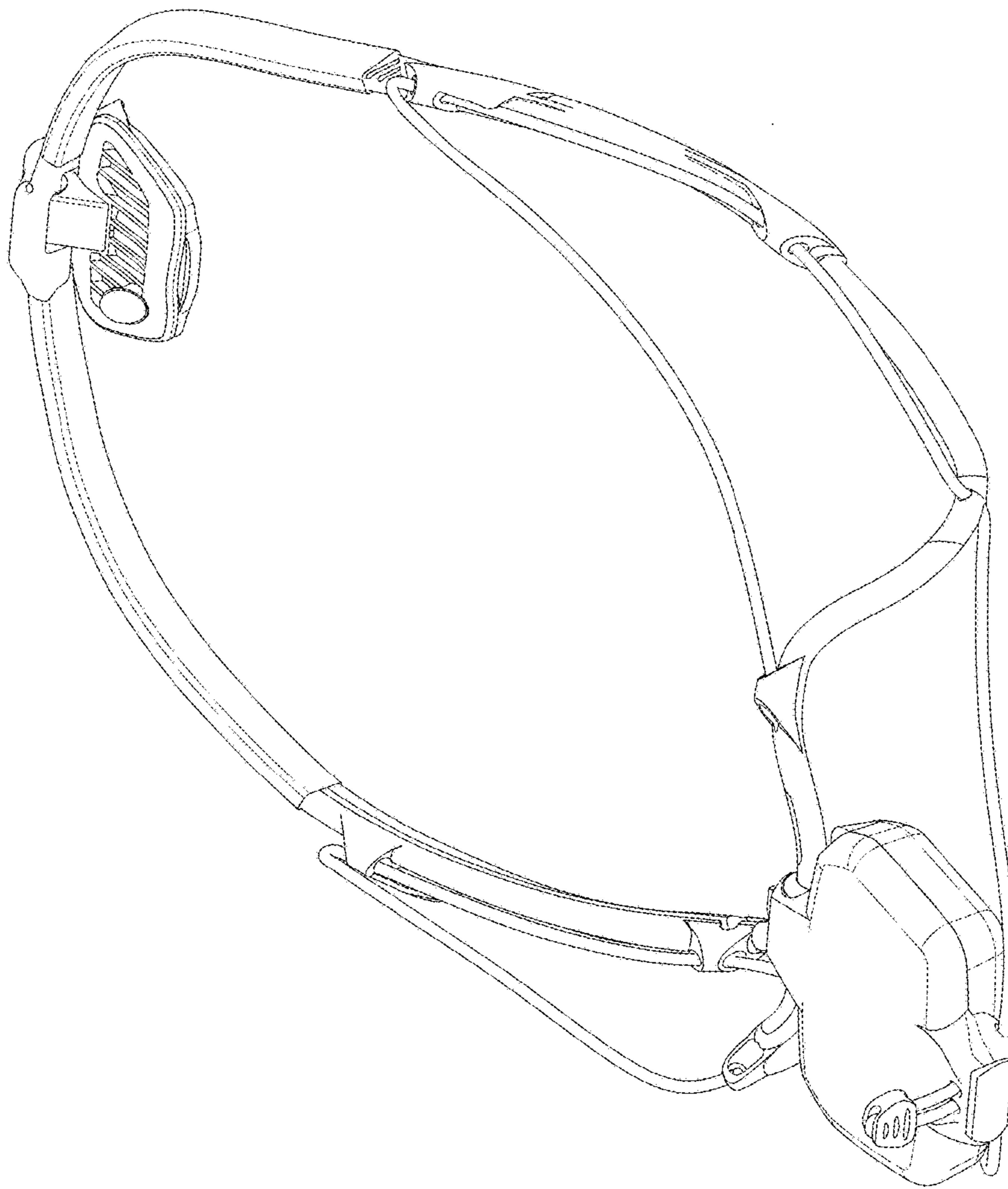


FIG. 16



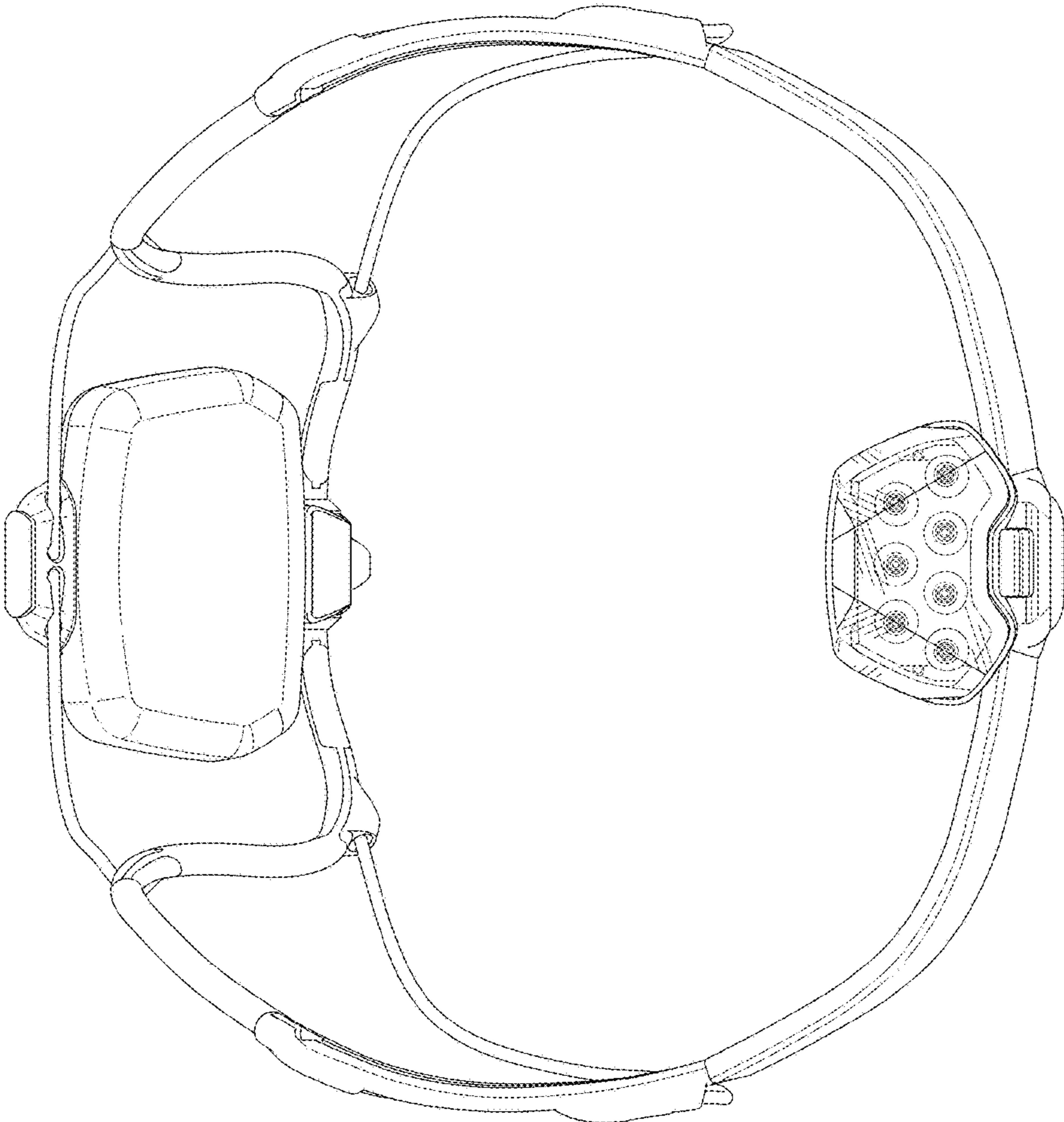


FIG. 17

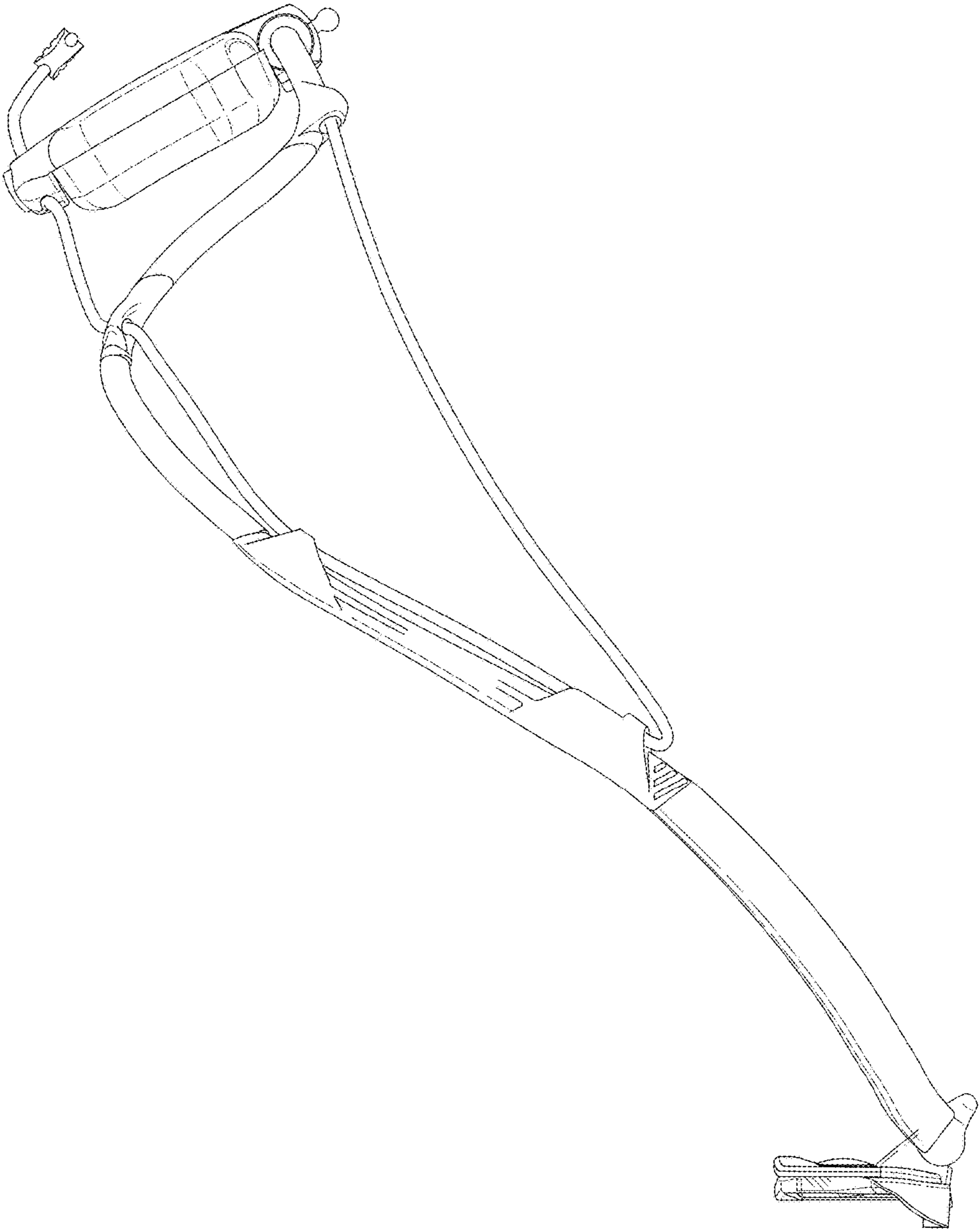


FIG. 18

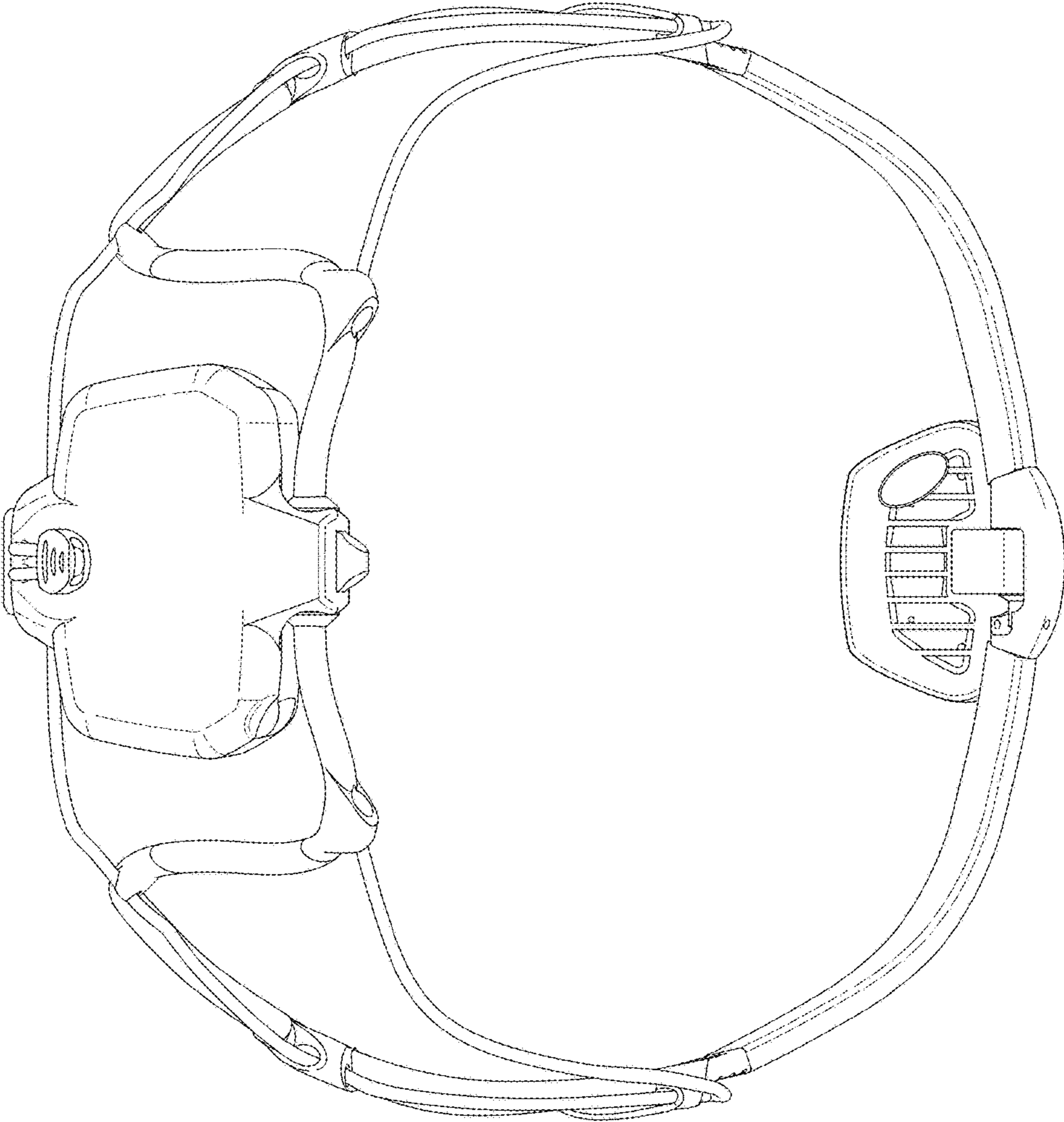


FIG. 19