



US00D828596S

(12) **United States Design Patent**
Cao

(10) **Patent No.:** **US D828,596 S**

(45) **Date of Patent:** **** Sep. 11, 2018**

(54) **HEADLAMP**

(71) Applicant: **Jleqiong Cao**, Henan (CN)

(72) Inventor: **Jleqiong Cao**, Henan (CN)

(**) Term: **15 Years**

(21) Appl. No.: **29/587,332**

(22) Filed: **Dec. 12, 2016**

(51) **LOC (11) Cl.** **26-02**

(52) **U.S. Cl.**
USPC **D26/39**

(58) **Field of Classification Search**
USPC D26/37, 38, 39, 42, 46, 51
CPC F21L 2003/00; F21L 4/00; F21L 4/005;
F21L 4/02; F21L 4/025; F21L 4/027;
F21L 4/04; F21L 4/08; F21L 2005/00;
F21L 7/00; F21L 11/00; F21L 13/00;
F21L 13/04; F21L 13/08; F21L 14/02;
F21L 17/00; F21L 19/00

See application file for complete search history.

(56) **References Cited**

U.S. PATENT DOCUMENTS

D507,065 S * 7/2005 Son D26/39
D541,452 S * 4/2007 Schnell D26/39
D553,270 S * 10/2007 Xu D26/28
D555,265 S * 11/2007 Shiu D26/39

D564,111 S * 3/2008 Hillard D26/39
D564,685 S * 3/2008 Schnell D26/39
D566,311 S * 4/2008 Schnell D26/39
D570,021 S * 5/2008 Xu D26/39
D574,986 S * 8/2008 Kumthampinij D26/60
D576,326 S * 9/2008 Lee D26/39
D578,691 S * 10/2008 Lau D26/39
D696,803 S * 12/2013 Kingston D26/39
D726,943 S * 4/2015 Petzl D26/39

* cited by examiner

Primary Examiner — Lakiya G Rogers

Assistant Examiner — Carissa C Fitts

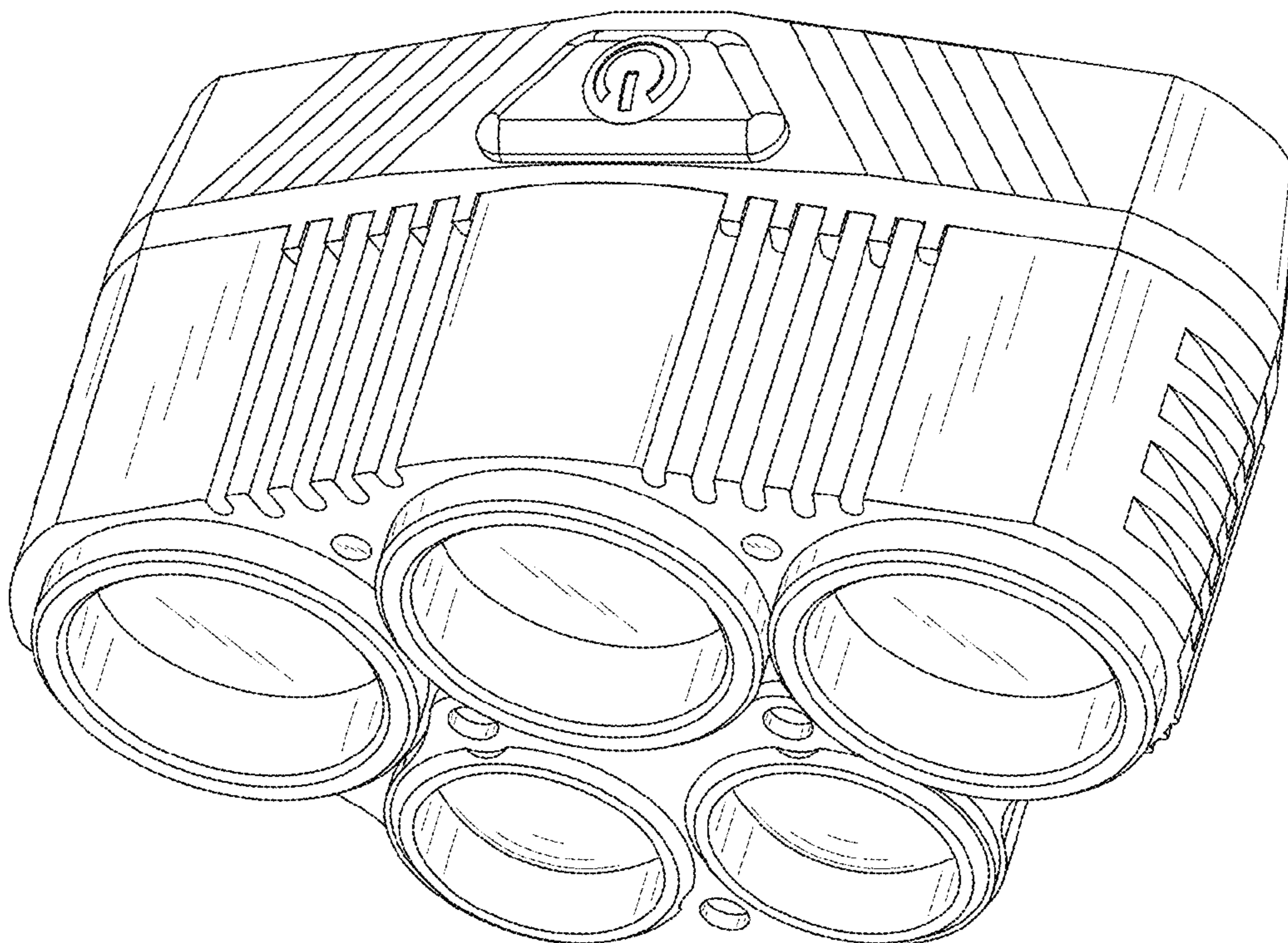
(57) **CLAIM**

The ornamental design for a headlamp, as shown and described.

DESCRIPTION

FIG. 1 is a front view of the headlamp showing our new design;
FIG. 2 is a back view thereof;
FIG. 3 is a left side view thereof;
FIG. 4 is a right side view thereof;
FIG. 5 is a top view thereof;
FIG. 6 is a bottom view thereof;
FIG. 7 is a top perspective view thereof; and,
FIG. 8 is a bottom perspective view thereof.
The broken lines show unclaimed portions of the headlamp and form no part of the claimed design.

1 Claim, 7 Drawing Sheets



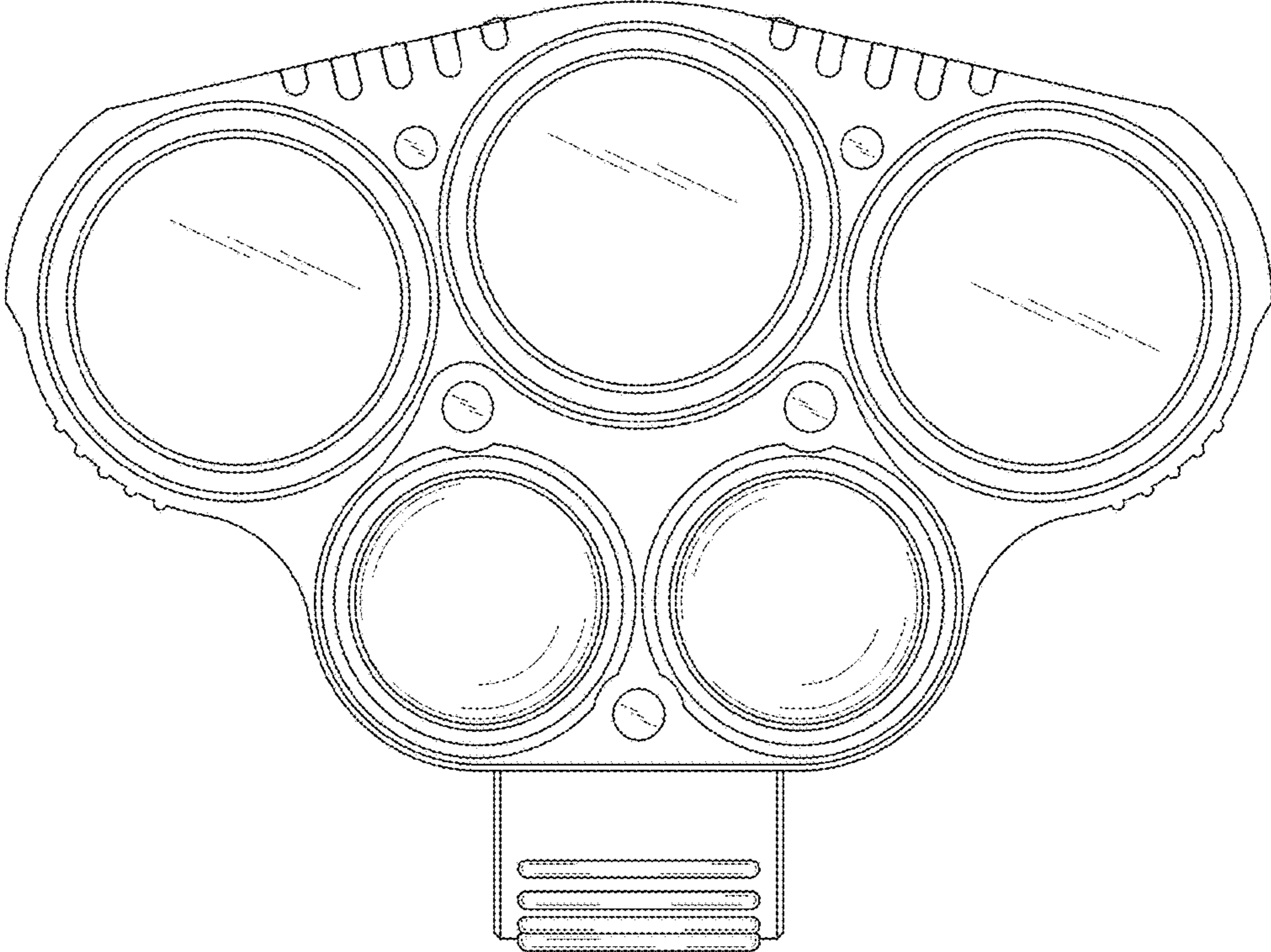


FIG.1

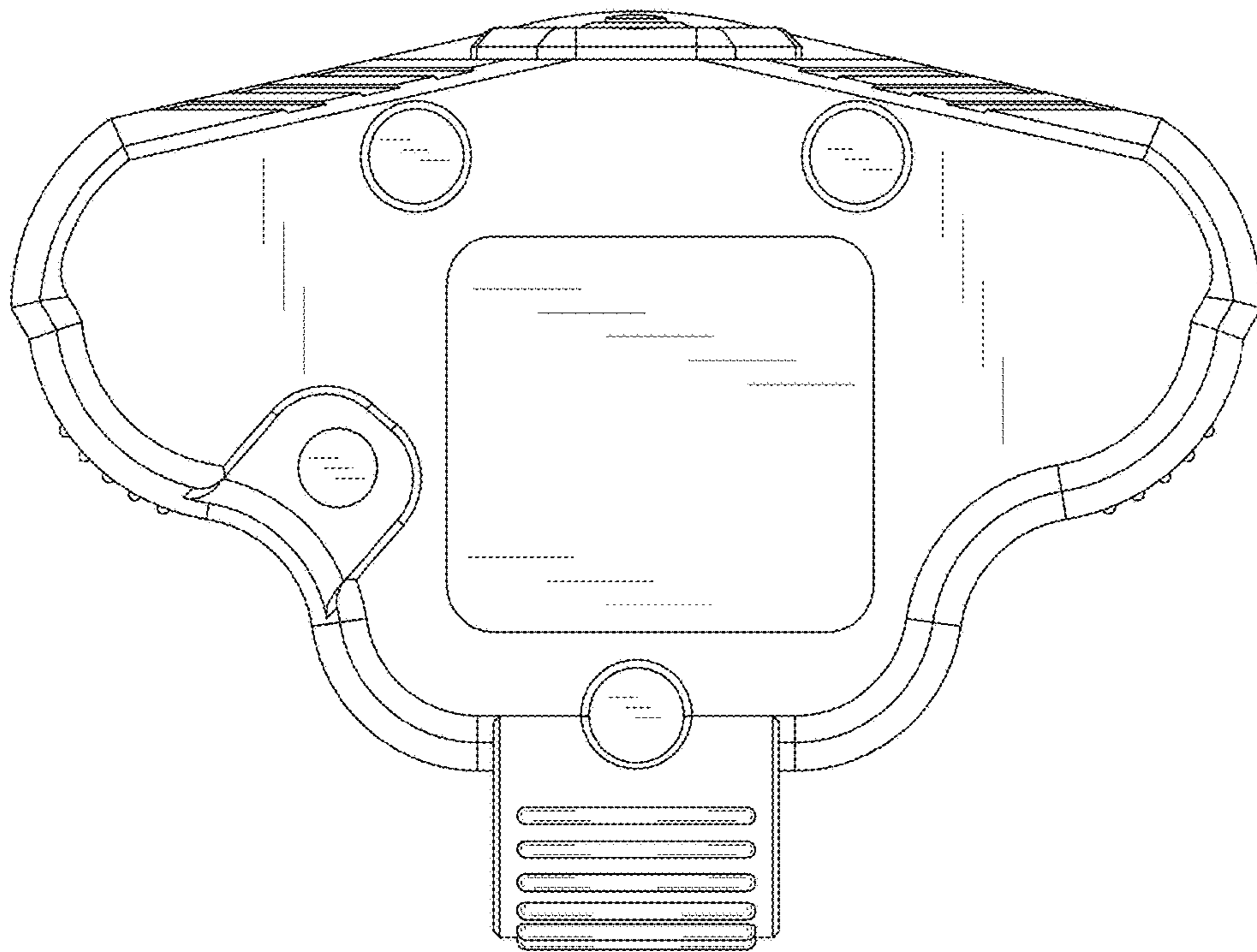


FIG.2

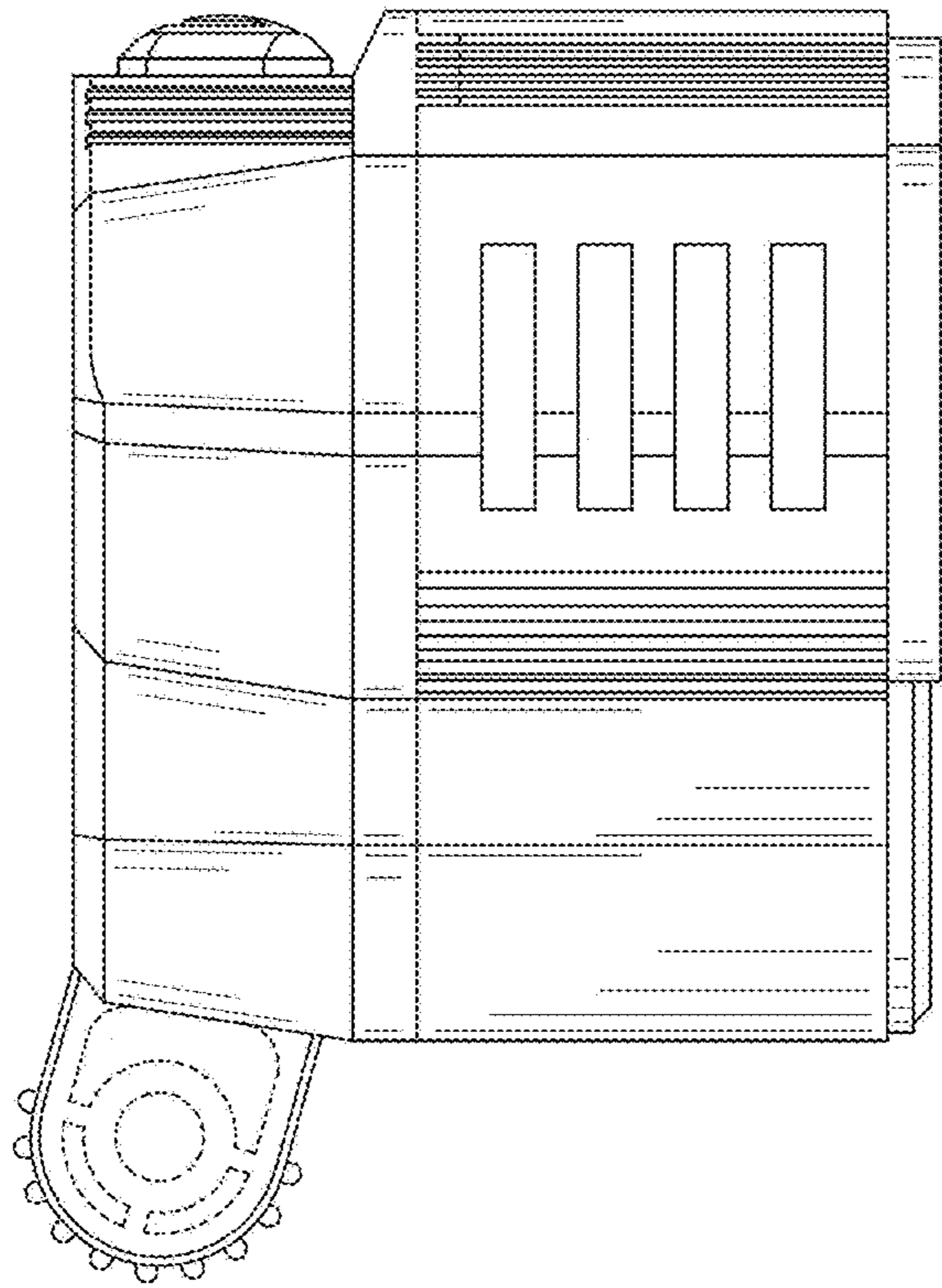


FIG.3

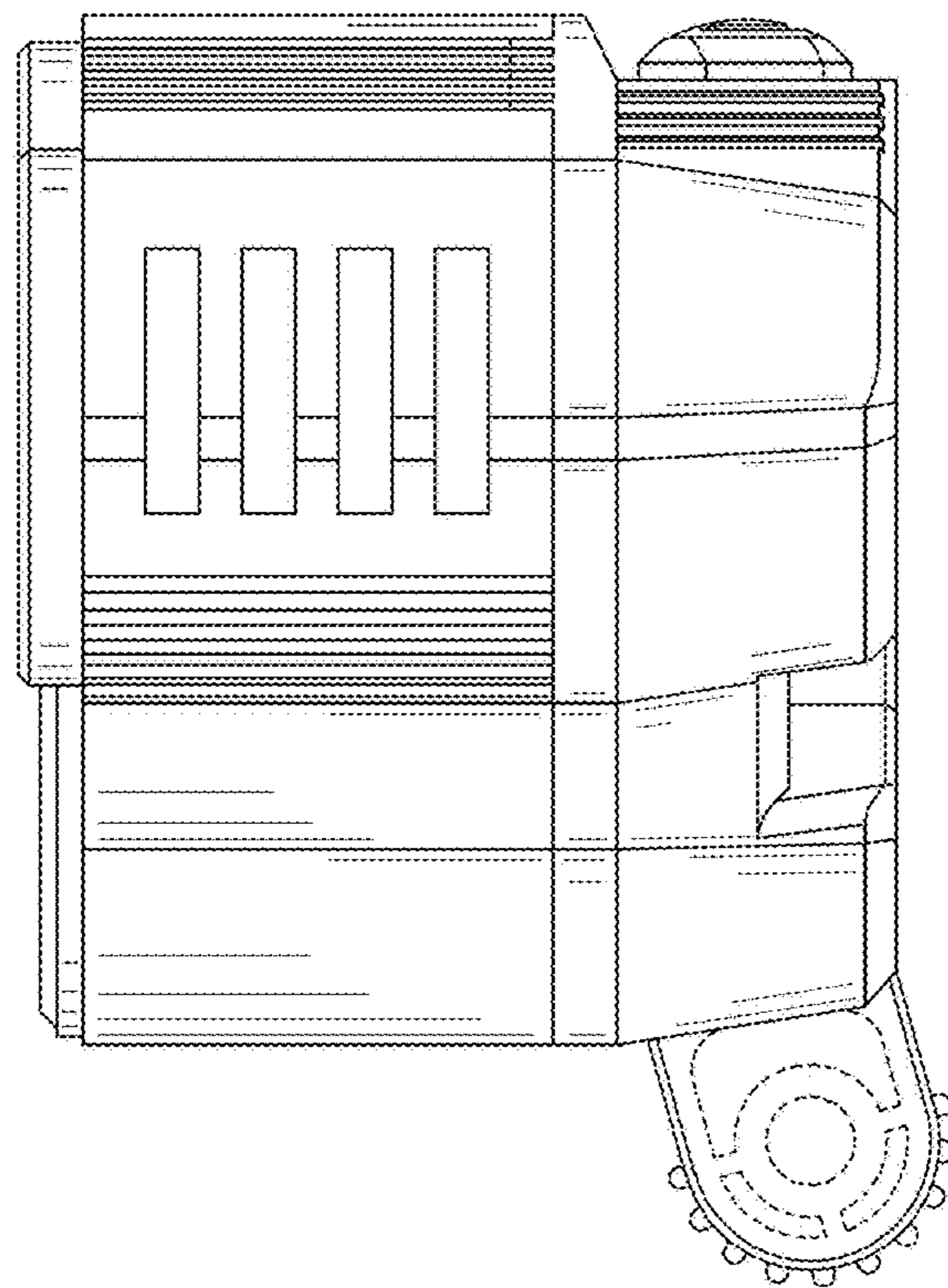


FIG.4

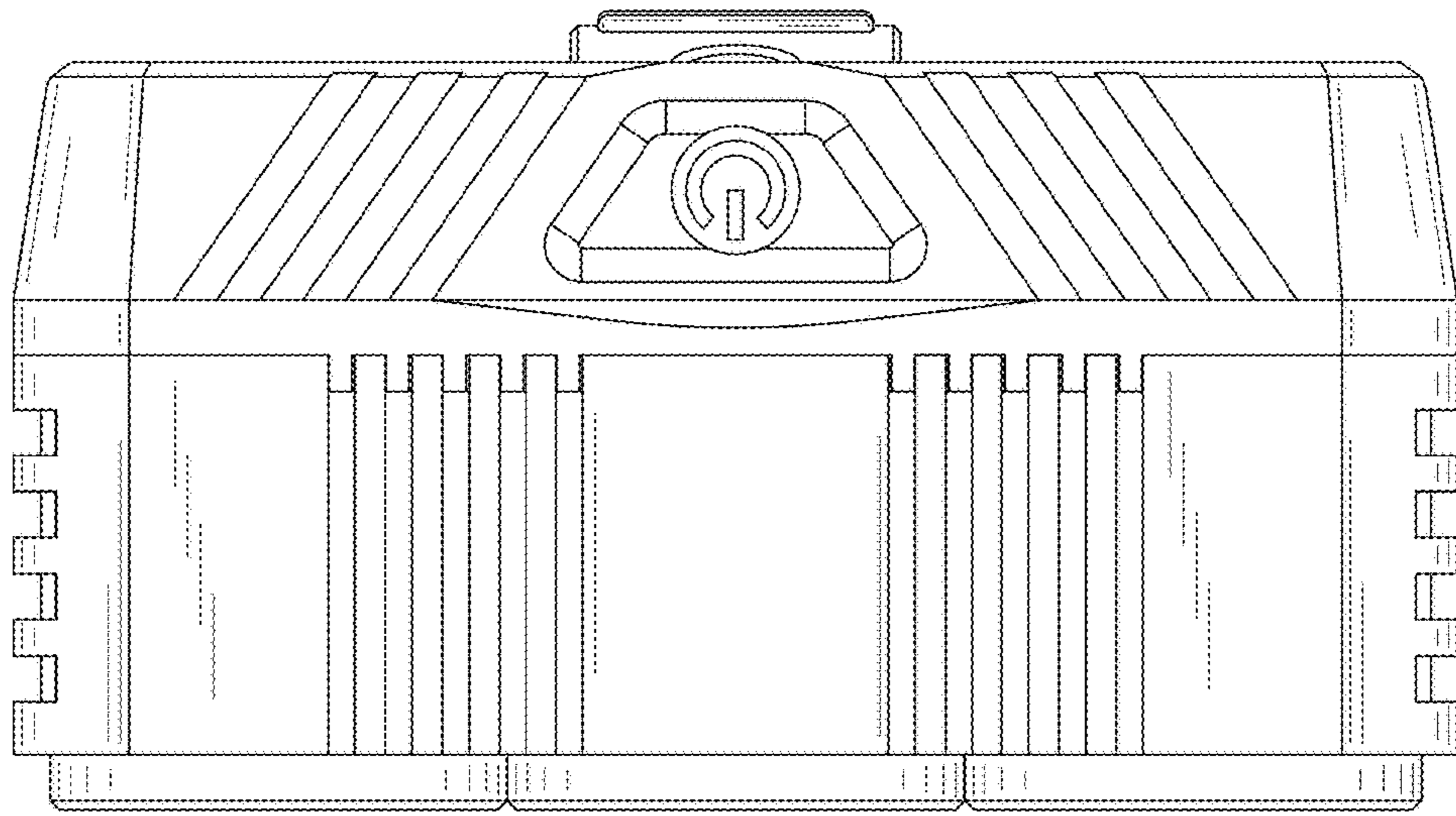


FIG.5

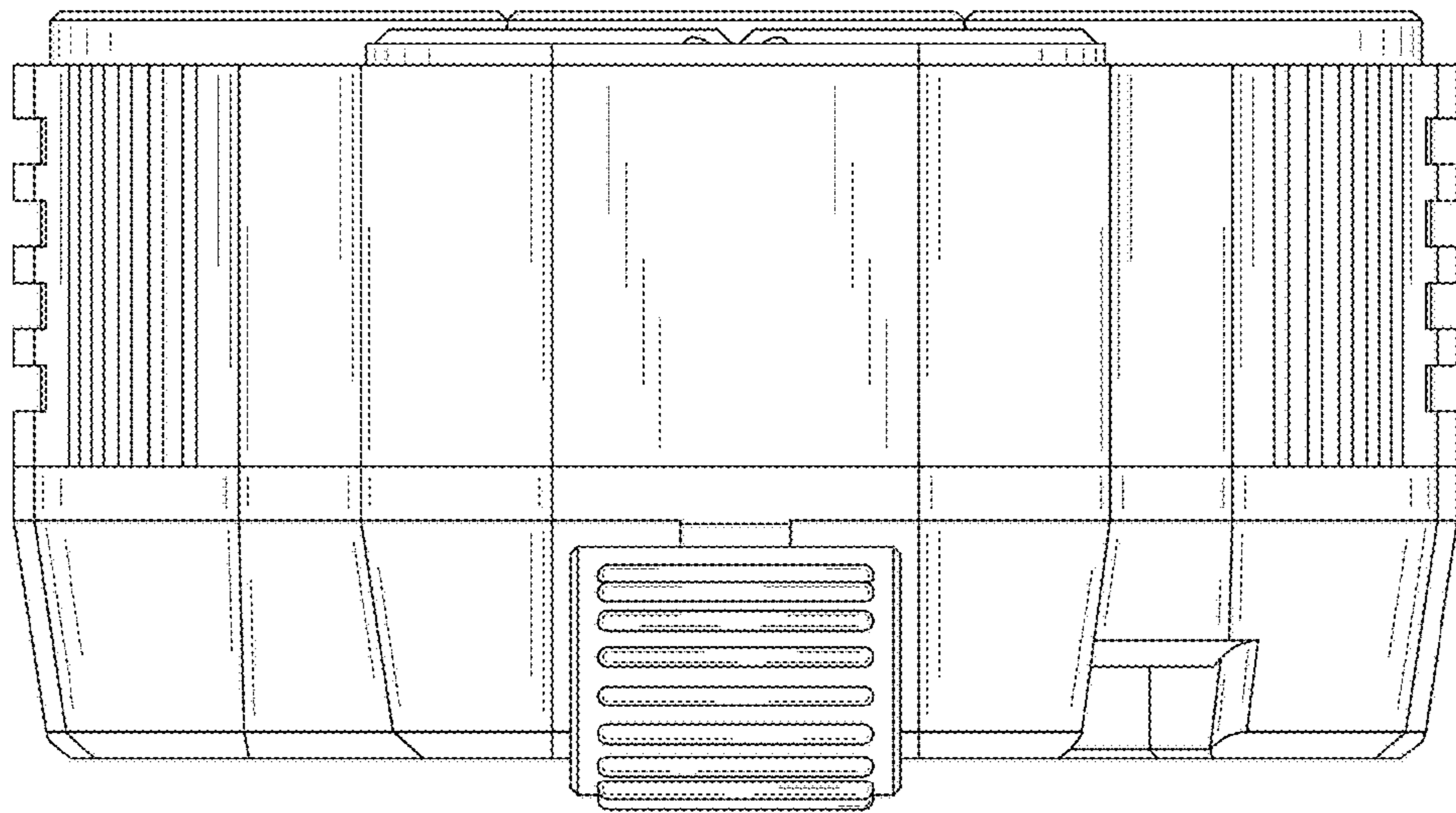


FIG.6

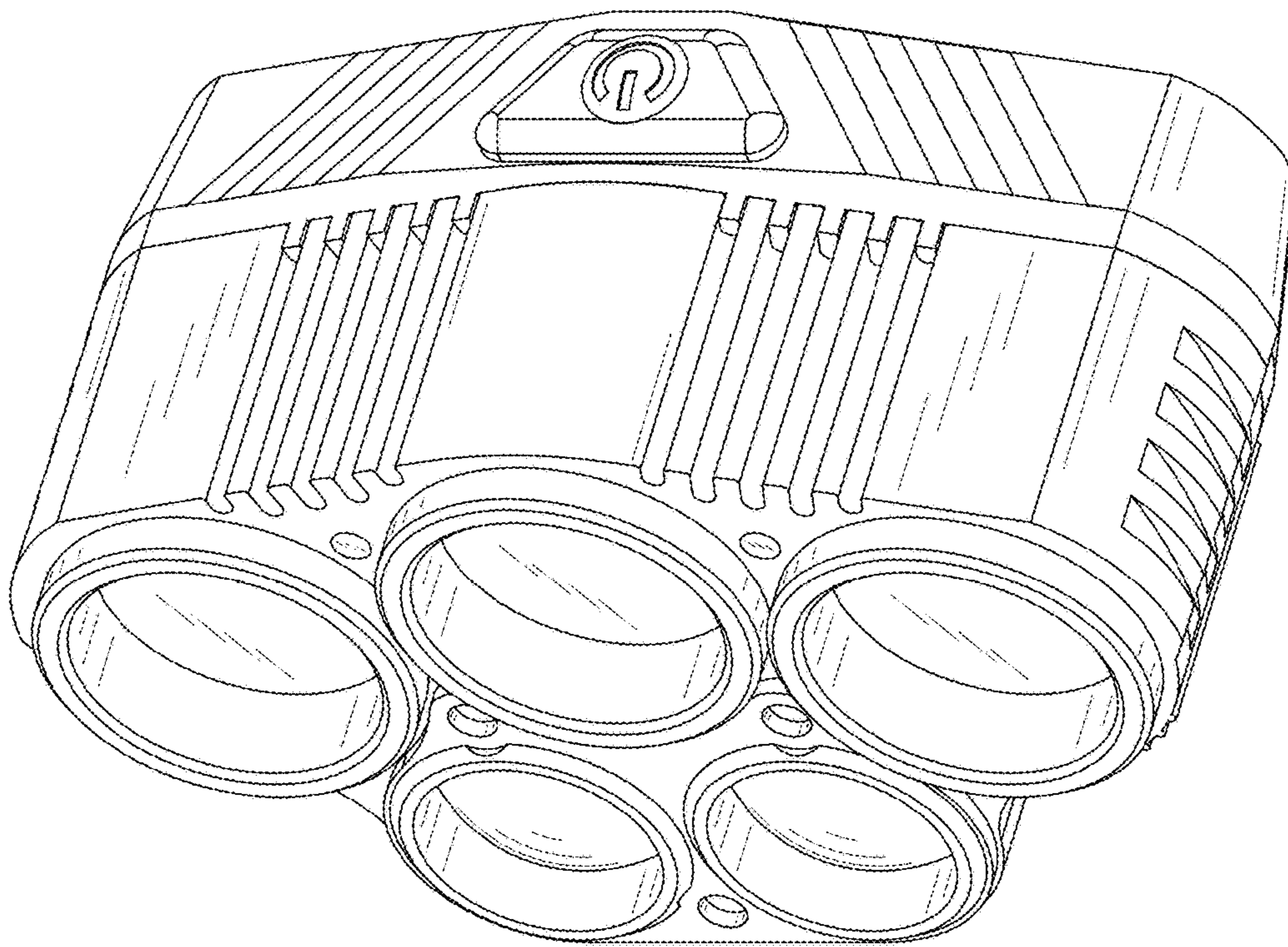


FIG.7

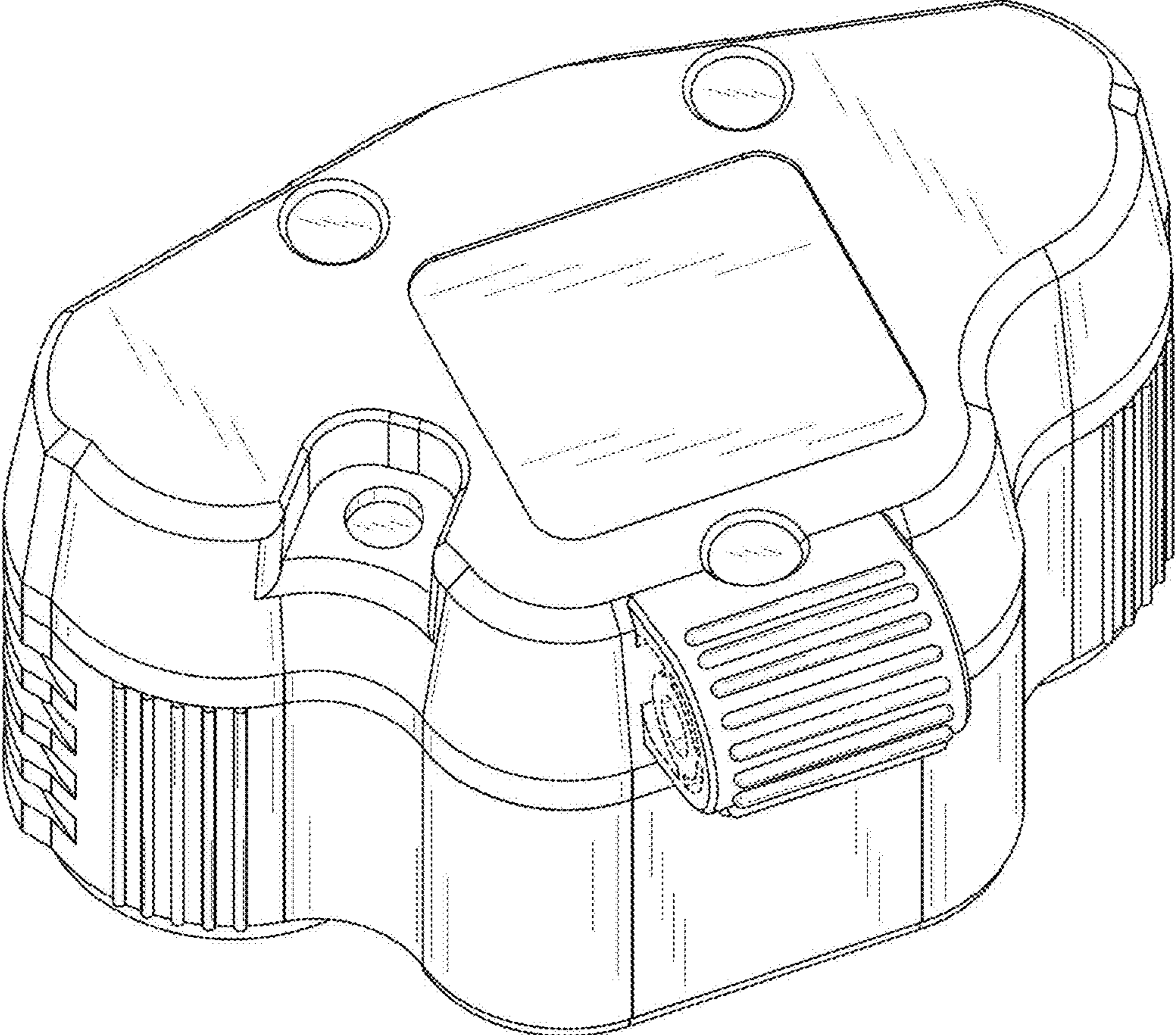


FIG.8