



US00D828595S

(12) **United States Design Patent** (10) **Patent No.:** **US D828,595 S**
Lake et al. (45) **Date of Patent:** **** Sep. 11, 2018**

(54) **COMBINATION MATCH CASE,
FLASHLIGHT AND BOTTLE OPENER WITH
CLIP**

(71) Applicant: **Industrial Revolution, Inc.**, Tukwila,
WA (US)

(72) Inventors: **Brendan Lake**, Hong Kong (HK);
Karrol Siasico, Hong Kong (HK)

(73) Assignee: **Industrial Revolution, Inc.**, Tukwila,
WA (US)

(**) Term: **15 Years**

(21) Appl. No.: **29/550,375**

(22) Filed: **Jan. 3, 2016**

(51) **LOC (11) Cl.** **26-02**

(52) **U.S. Cl.**
USPC **D26/38**

(58) **Field of Classification Search**
USPC D26/37, 38, 40, 42, 46, 49, 51, 43, 61,
D26/62; D8/356, 34, 87, 81, 104
CPC F21L 2003/00; F21L 4/00; F21L 4/005;
F21L 4/02; F21L 4/025; F21L 4/027;
F21L 4/04; F21L 4/08; F21L 2005/00;
F21L 7/00; F21L 11/00; F21L 13/00;
F21L 13/04; F21L 13/08; F21L 14/02;
F21L 17/00; F21L 19/00

See application file for complete search history.

(56) **References Cited**

U.S. PATENT DOCUMENTS

| | | | | |
|--------------|---------|-----------|-------|--------|
| D443,370 S * | 6/2001 | Yu | | D26/37 |
| D484,263 S * | 12/2003 | Kelleghan | | D26/37 |
| D493,553 S * | 7/2004 | Oas | | D26/37 |
| D494,695 S * | 8/2004 | Oas | | D26/37 |
| D495,074 S * | 8/2004 | Oas | | D26/37 |
| D501,781 S * | 2/2005 | Galli | | D26/37 |
| D528,689 S * | 9/2006 | Opolka | | D26/37 |

| | | | | |
|--------------|---------|----------------|-------|---------|
| D531,743 S * | 11/2006 | Opolka | | D26/37 |
| D533,427 S * | 12/2006 | Barber | | D8/99 |
| D550,447 S * | 9/2007 | Opolka | | D3/209 |
| D560,835 S * | 1/2008 | Hass | | D26/37 |
| D579,494 S * | 10/2008 | Chan | | D19/121 |
| D593,694 S * | 6/2009 | Bent | | D26/37 |
| D606,689 S * | 12/2009 | Bent | | D26/48 |
| D619,283 S * | 7/2010 | Galli | | D26/46 |
| D627,153 S * | 11/2010 | Schmidt | | D3/207 |
| D639,465 S * | 6/2011 | Abernethy | | D26/24 |
| D660,487 S * | 5/2012 | Wu | | D26/38 |
| D705,866 S * | 5/2014 | Adelman | | D19/135 |
| D710,537 S | 8/2014 | Jackson et al. | | |
| D724,592 S * | 3/2015 | Han | | D14/420 |
| D743,595 S * | 11/2015 | Fischer | | D26/38 |
| D765,898 S * | 9/2016 | Caito | | D26/42 |

* cited by examiner

Primary Examiner — Karen E Kearney

Assistant Examiner — Carissa C Fitts

(74) *Attorney, Agent, or Firm* — DWC Law Firm, P.S.;
David Chen

(57) **CLAIM**

The ornamental design for a combination match case, flashlight and bottle opener with clip, as shown and described.

DESCRIPTION

FIG. 1 is a top perspective view of a combination match case, flashlight and bottle opener with clip according to the present disclosure.

FIG. 2 is a bottom perspective view thereof.

FIG. 3 is a front side elevation view thereof.

FIG. 4 is a back side elevation view thereof.

FIG. 5 is a right side elevation view thereof.

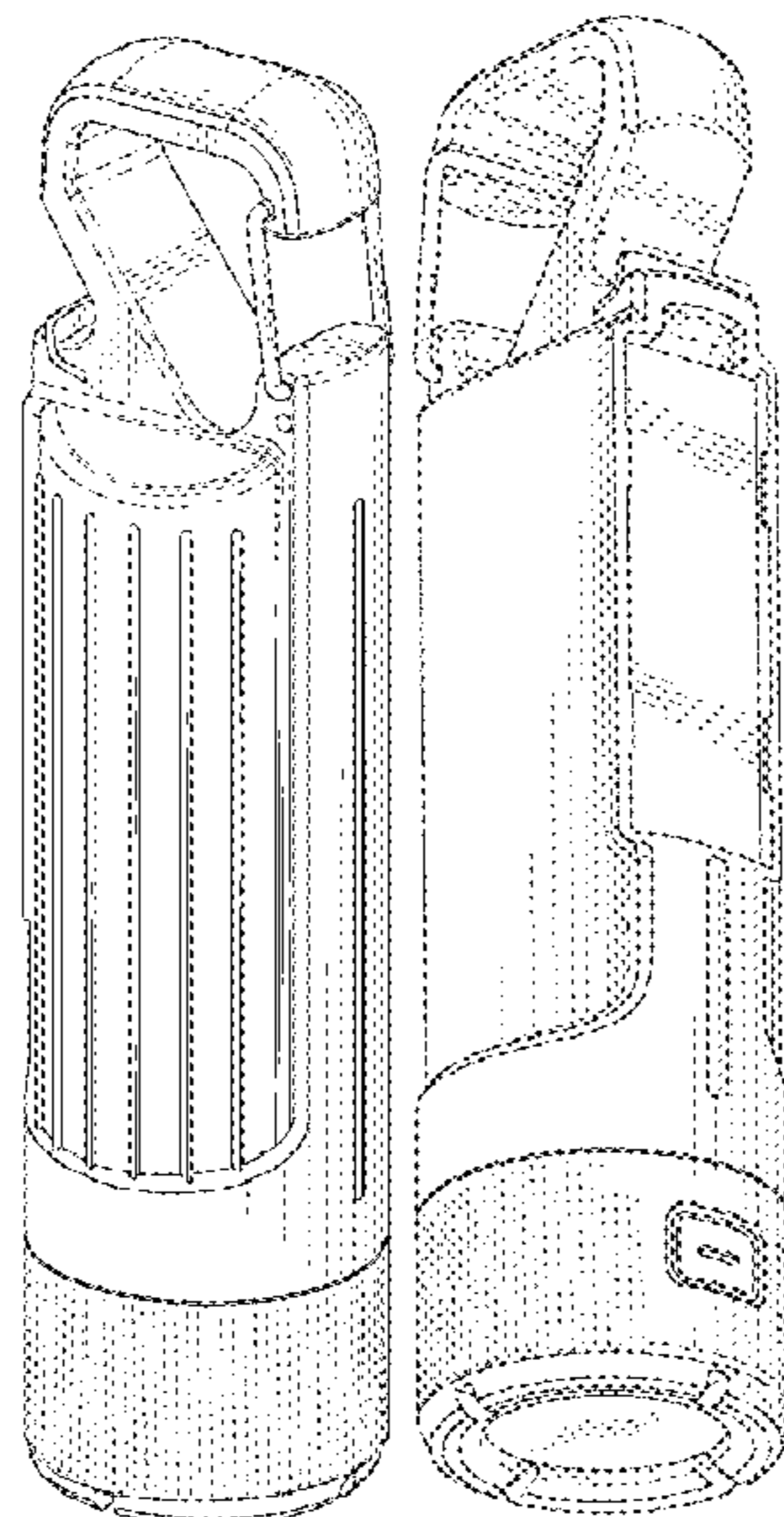
FIG. 6 is a left side elevation view thereof.

FIG. 7 is a top plan view thereof; and,

FIG. 8 is a bottom plan view thereof.

The broken lines show portions of the article not claimed and form no part of the claimed design.

1 Claim, 7 Drawing Sheets



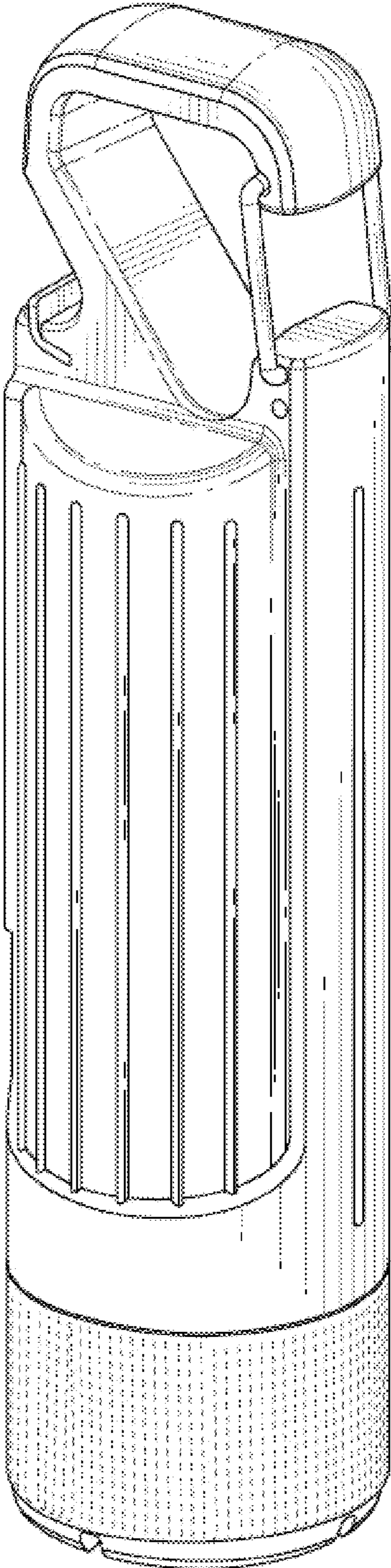


FIG. 1

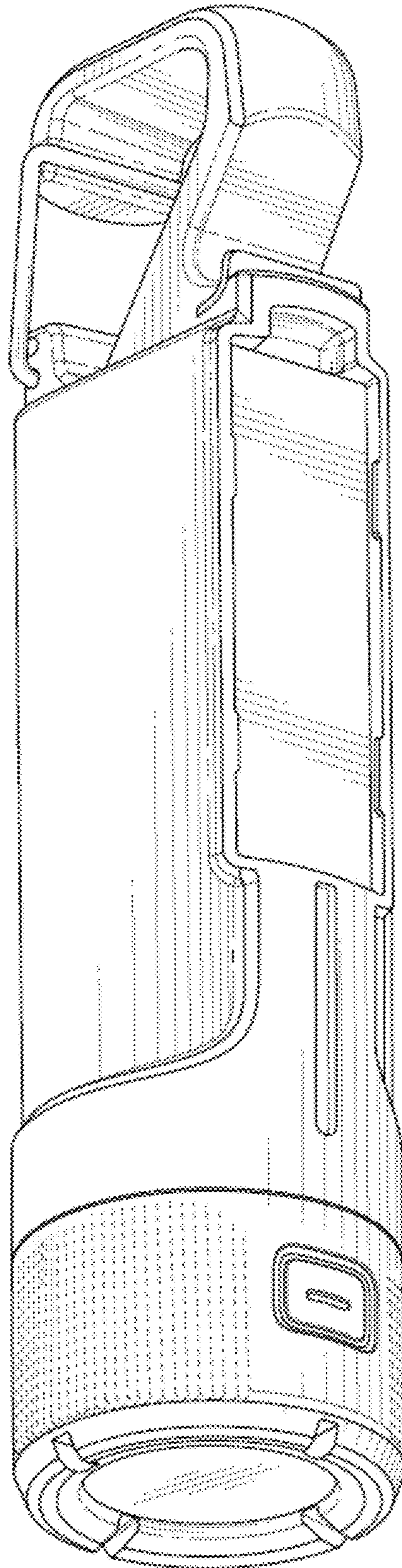


FIG. 2

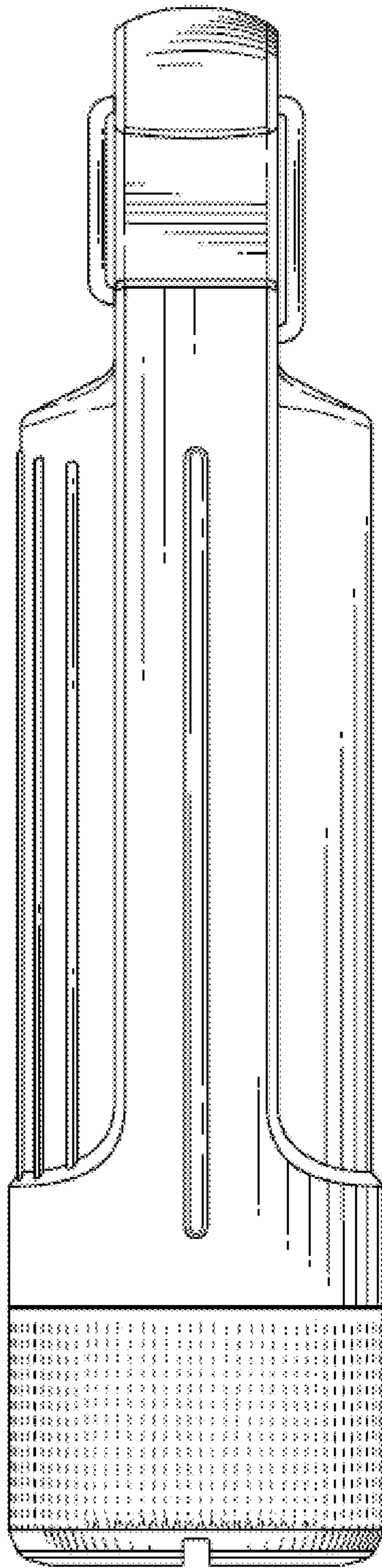


FIG. 3

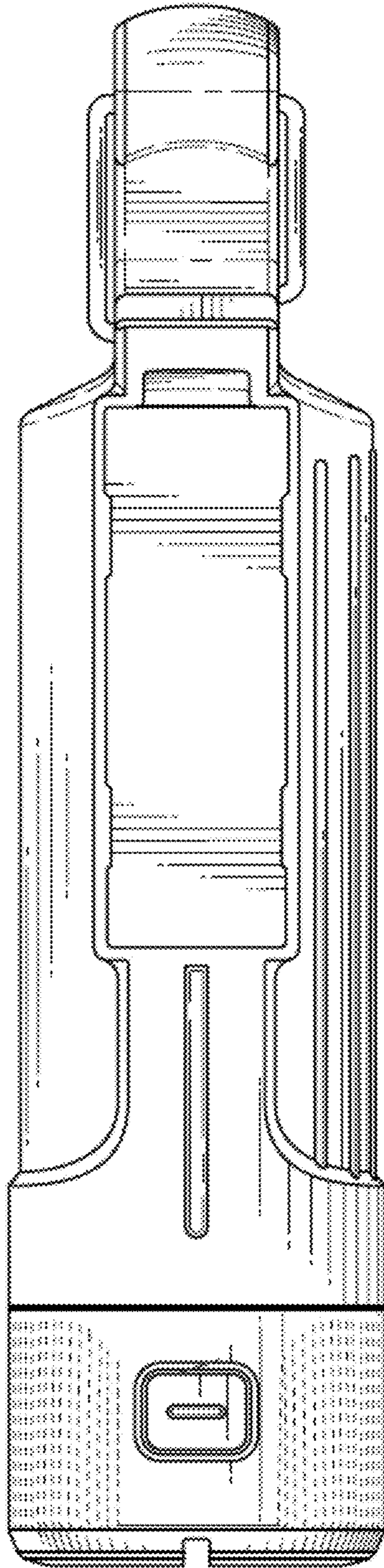


FIG. 4

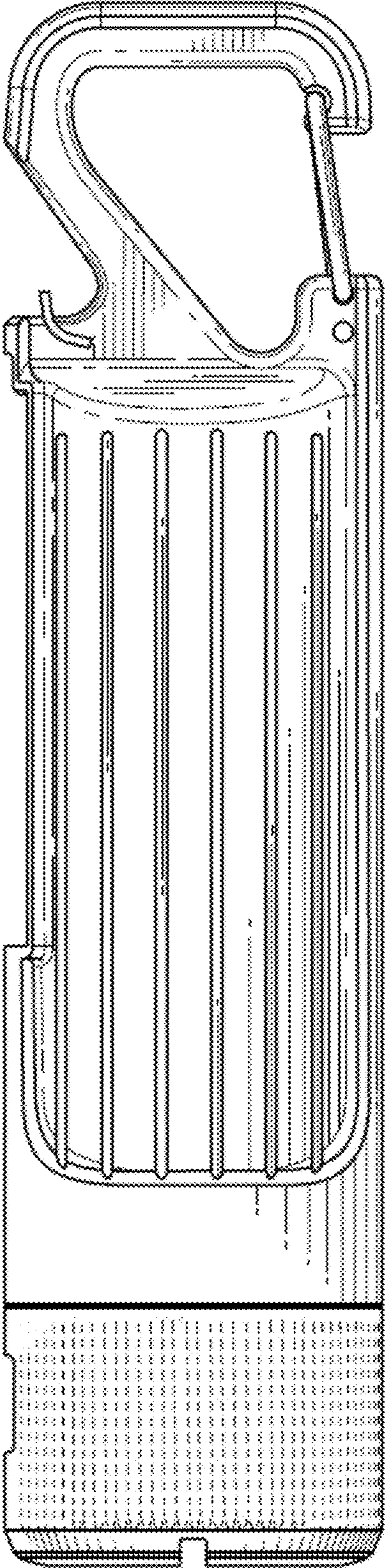


FIG. 5

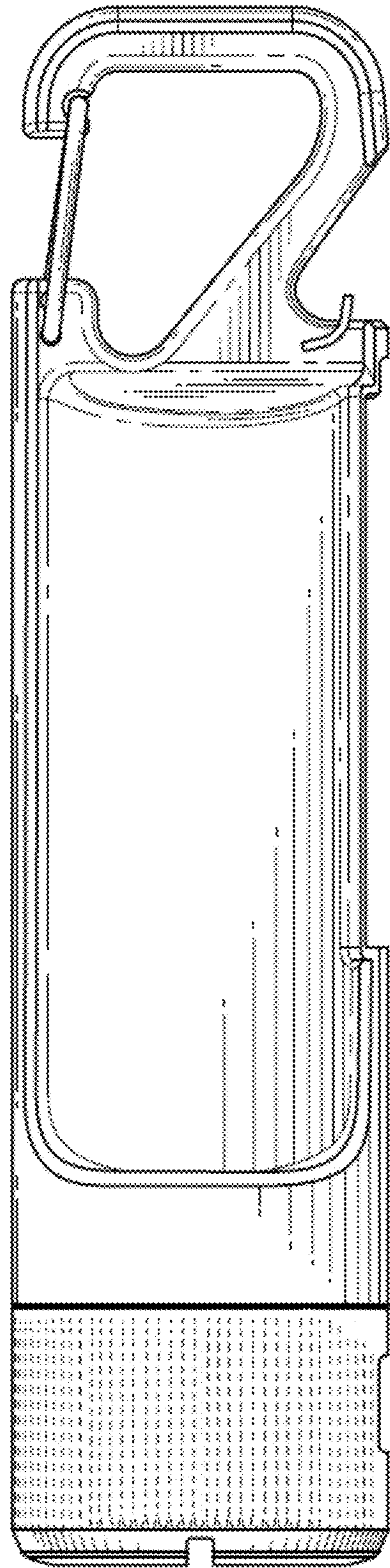


FIG. 6

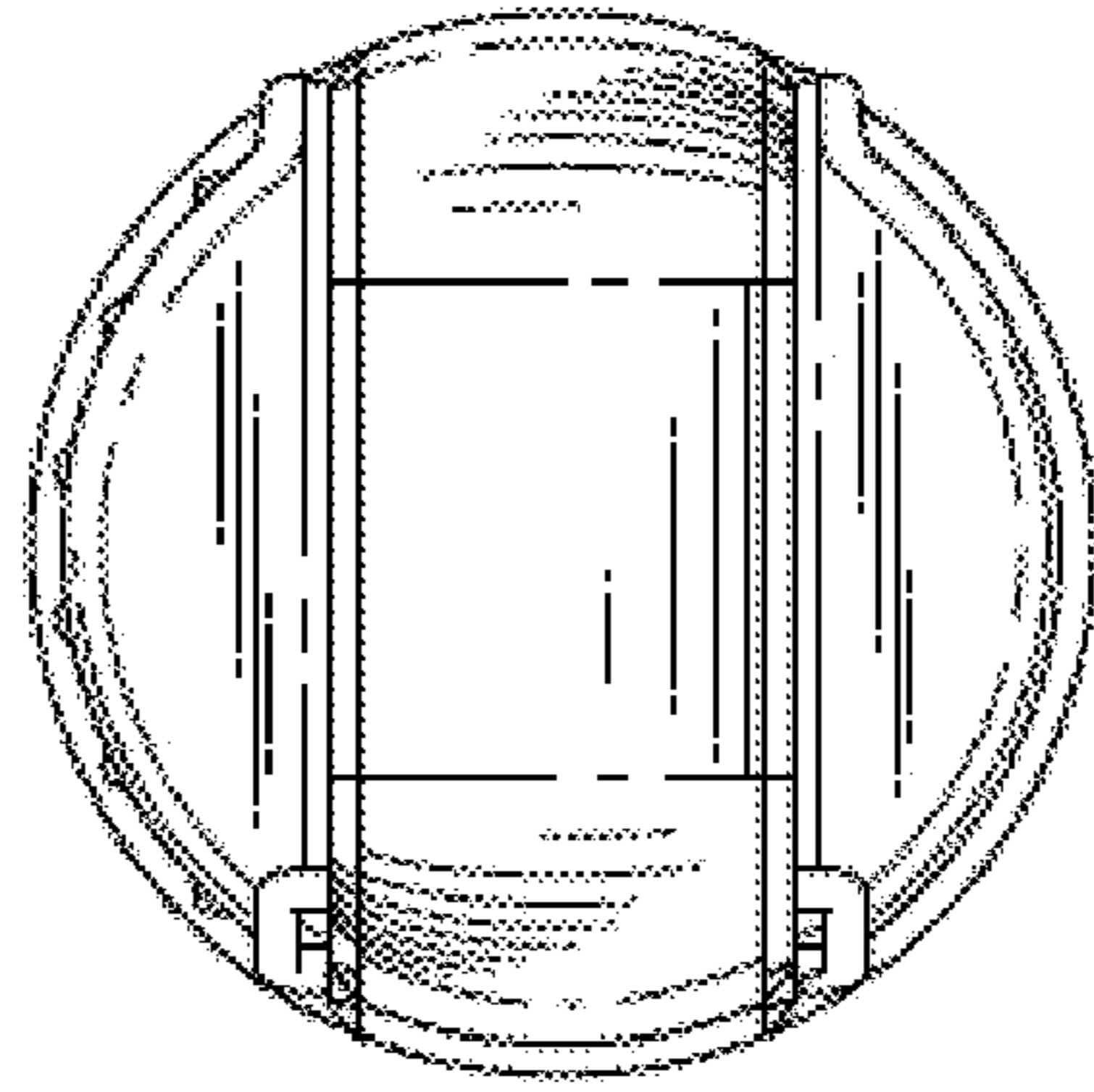


FIG. 7

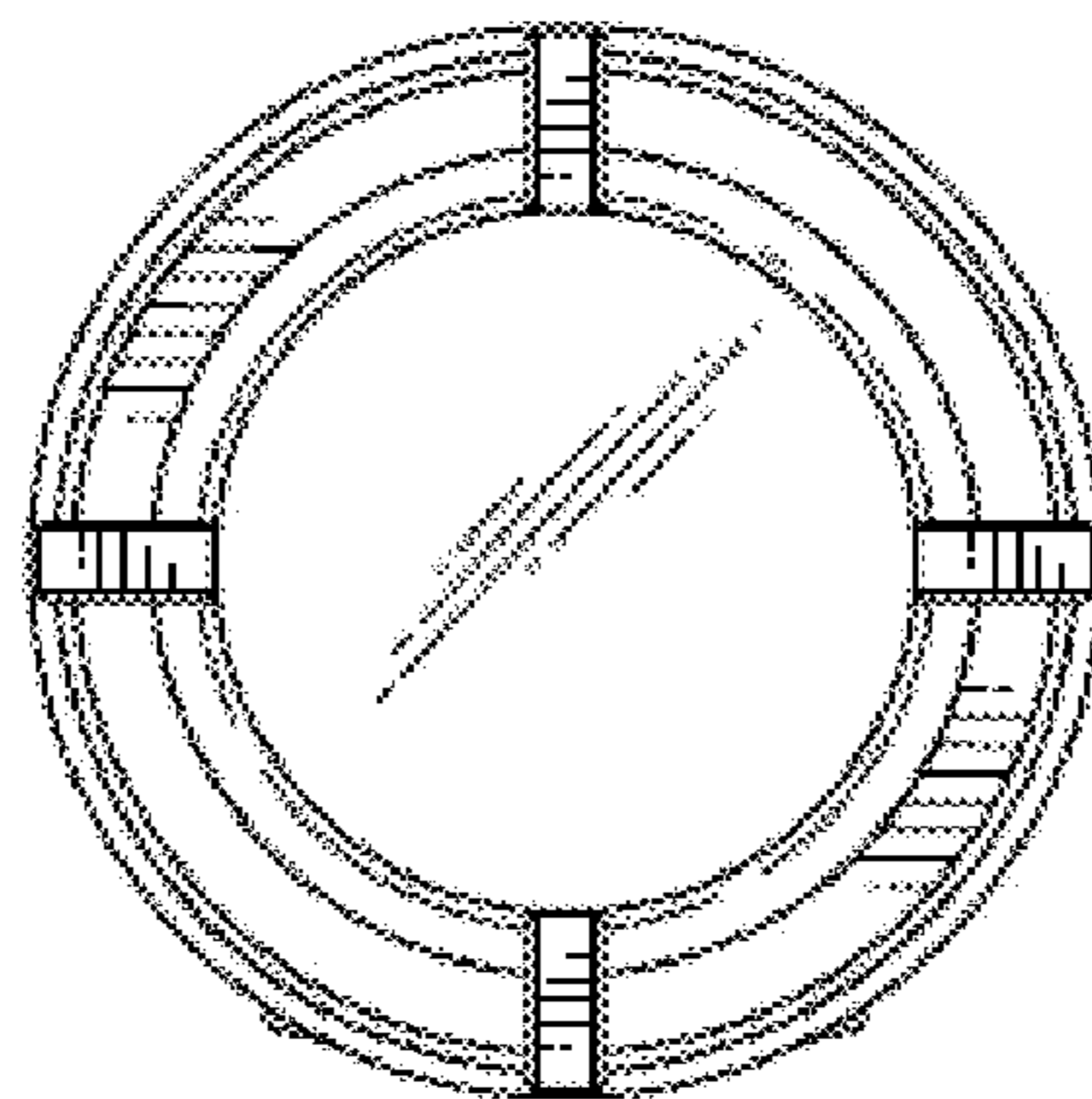


FIG. 8