



US00D828593S

(12) **United States Design Patent**
Pan

(10) **Patent No.:** **US D828,593 S**

(45) **Date of Patent:** **** Sep. 11, 2018**

(54) **VEHICLE LAMP**

(71) Applicant: **Juluon Enterprise Co., Ltd.**, New Taipei (TW)

(72) Inventor: **Pei-Chun Pan**, New Taipei (TW)

(73) Assignee: **Juluon Enterprise Co., Ltd.**, New Taipei (TW)

(**) Term: **15 Years**

(21) Appl. No.: **29/619,406**

(22) Filed: **Sep. 28, 2017**

(51) **LOC (11) Cl.** **26-06**

(52) **U.S. Cl.**
USPC **D26/28**

(58) **Field of Classification Search**
USPC D26/28-36; 362/80-83, 267-269,
362/459-468, 475-478, 485-487
CPC F21S 48/00; F21S 48/10; F21S 48/115;
F21S 48/225; F21S 48/1233; F21S
48/1266; F21S 48/1388; F21S 48/2268;
F21V 21/04

See application file for complete search history.

(56) **References Cited**

U.S. PATENT DOCUMENTS

D411,635 S * 6/1999 Phlipot D26/28
D492,047 S * 6/2004 Dohogne D26/28

D641,092 S * 7/2011 Okuda D26/28
D678,563 S * 3/2013 Liao D26/28
D770,653 S * 11/2016 Lai D26/28
D773,080 S * 11/2016 Liu D26/28

* cited by examiner

Primary Examiner — Marcus Jackson

(74) *Attorney, Agent, or Firm* — JCIPRNET

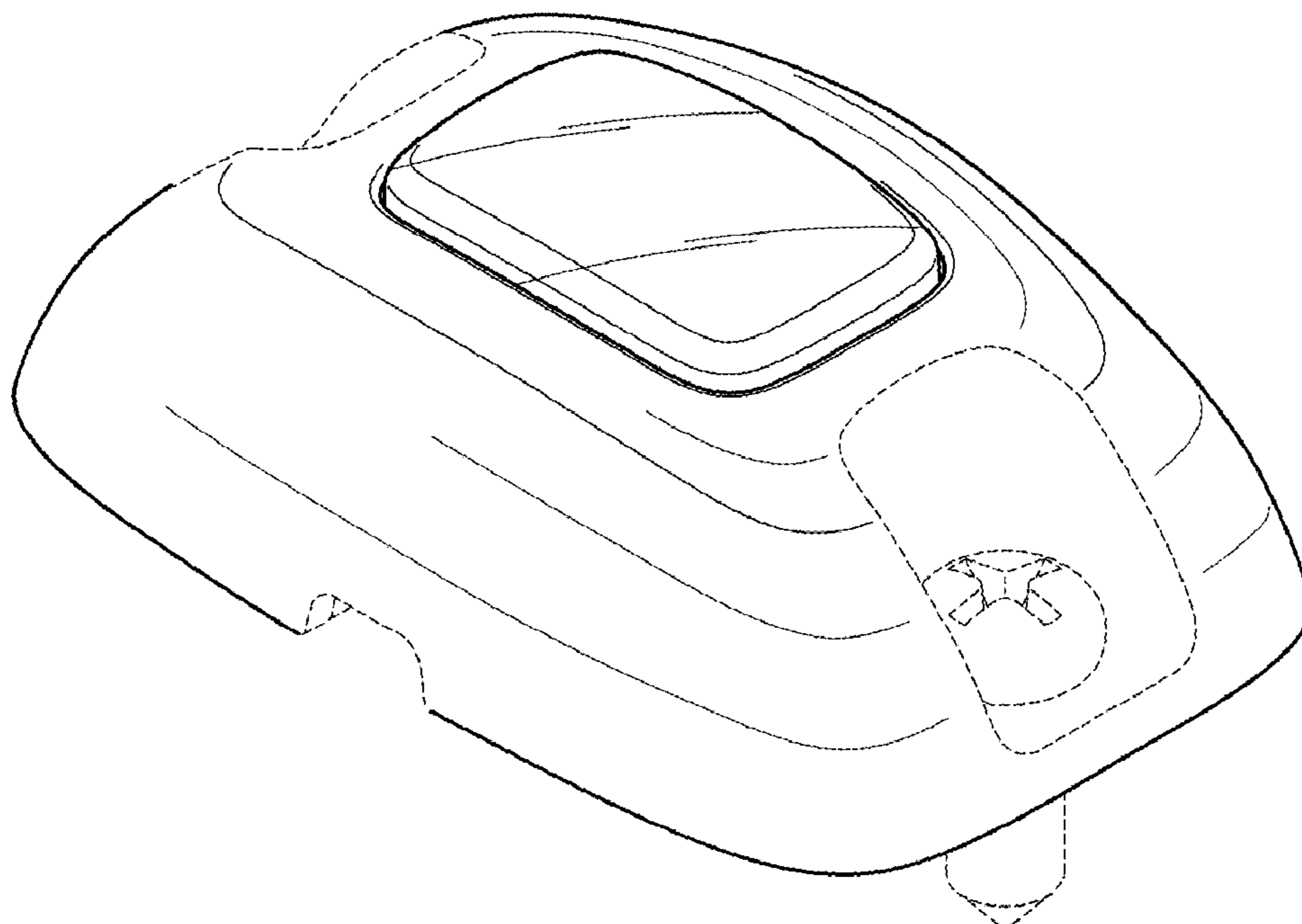
(57) **CLAIM**

The ornamental design for a vehicle lamp, as shown and described.

DESCRIPTION

FIG. 1 is a perspective view of a vehicle lamp showing my new design;
FIG. 2 is a top view thereof;
FIG. 3 is a front view thereof;
FIG. 4 is a rear view thereof; and,
FIG. 5 is a right side view thereof, the left side view being a mirror image of the right side view.
A bottom view thereof is omitted since it does not contain ornamental features. The broken line portions of the vehicle lamp in the drawings represent unclaimed portions of the claimed design and form no part thereof. The oblique line shading represents a translucent or transparent surface.

1 Claim, 5 Drawing Sheets



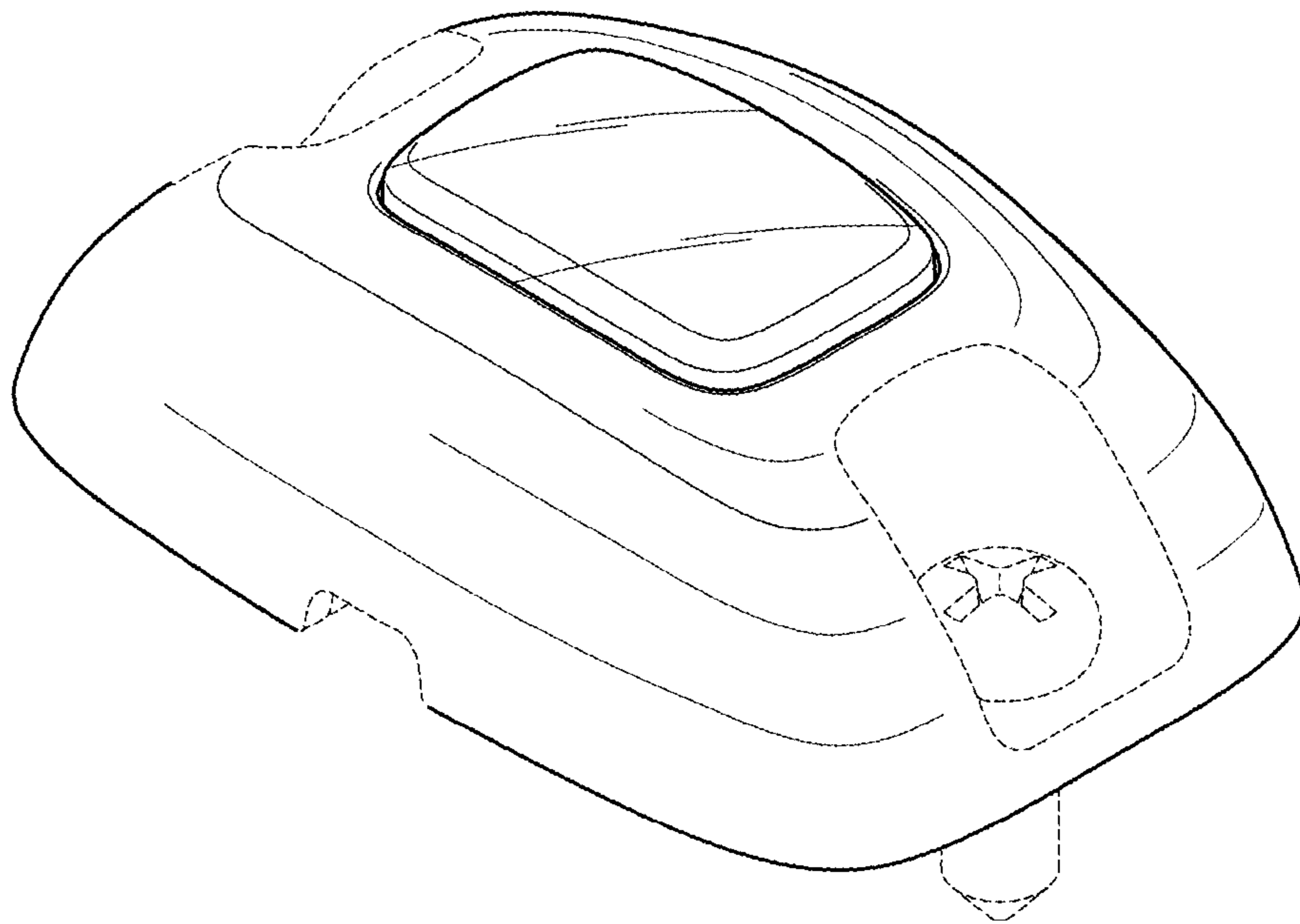


FIG. 1

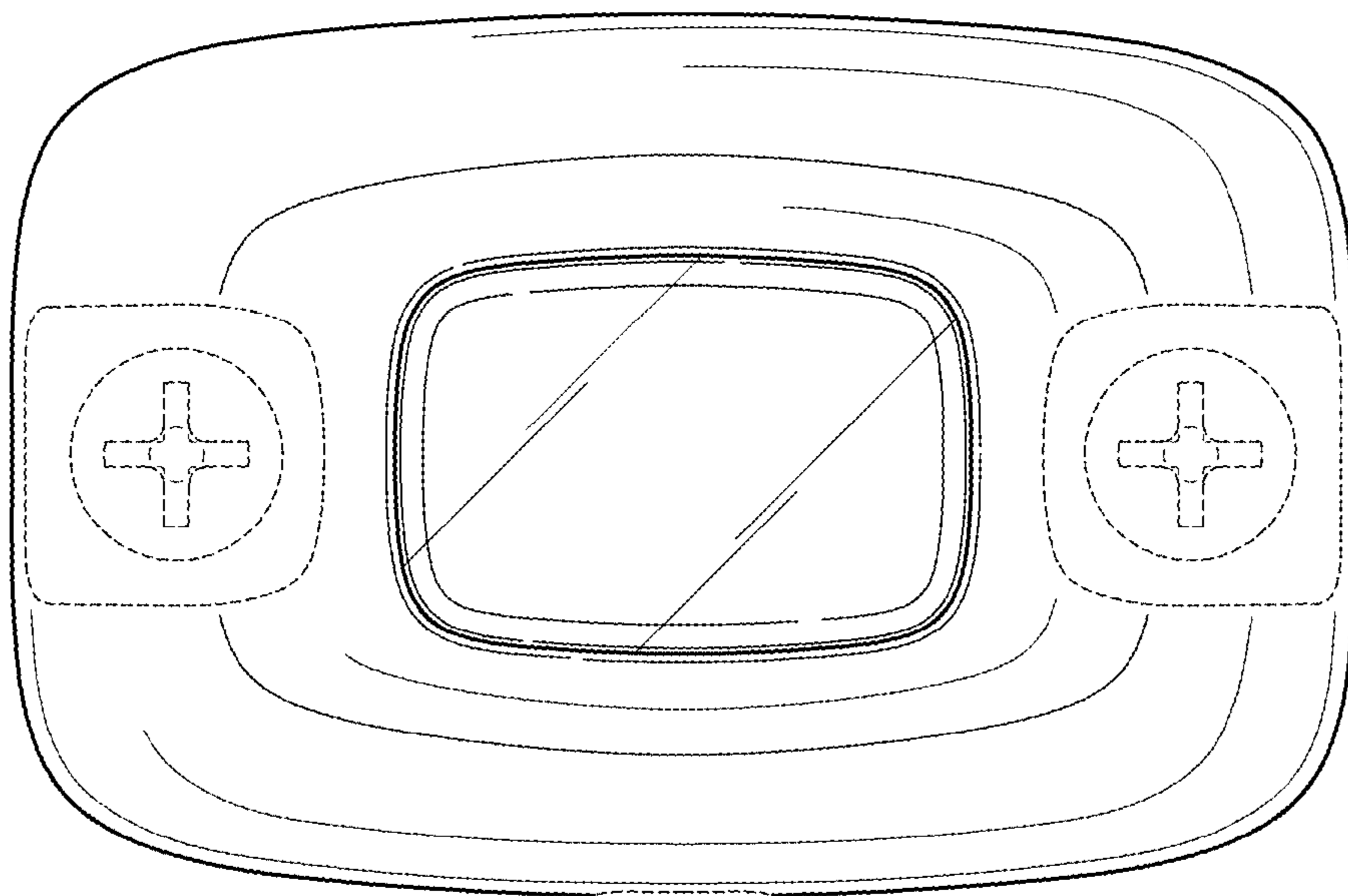


FIG. 2

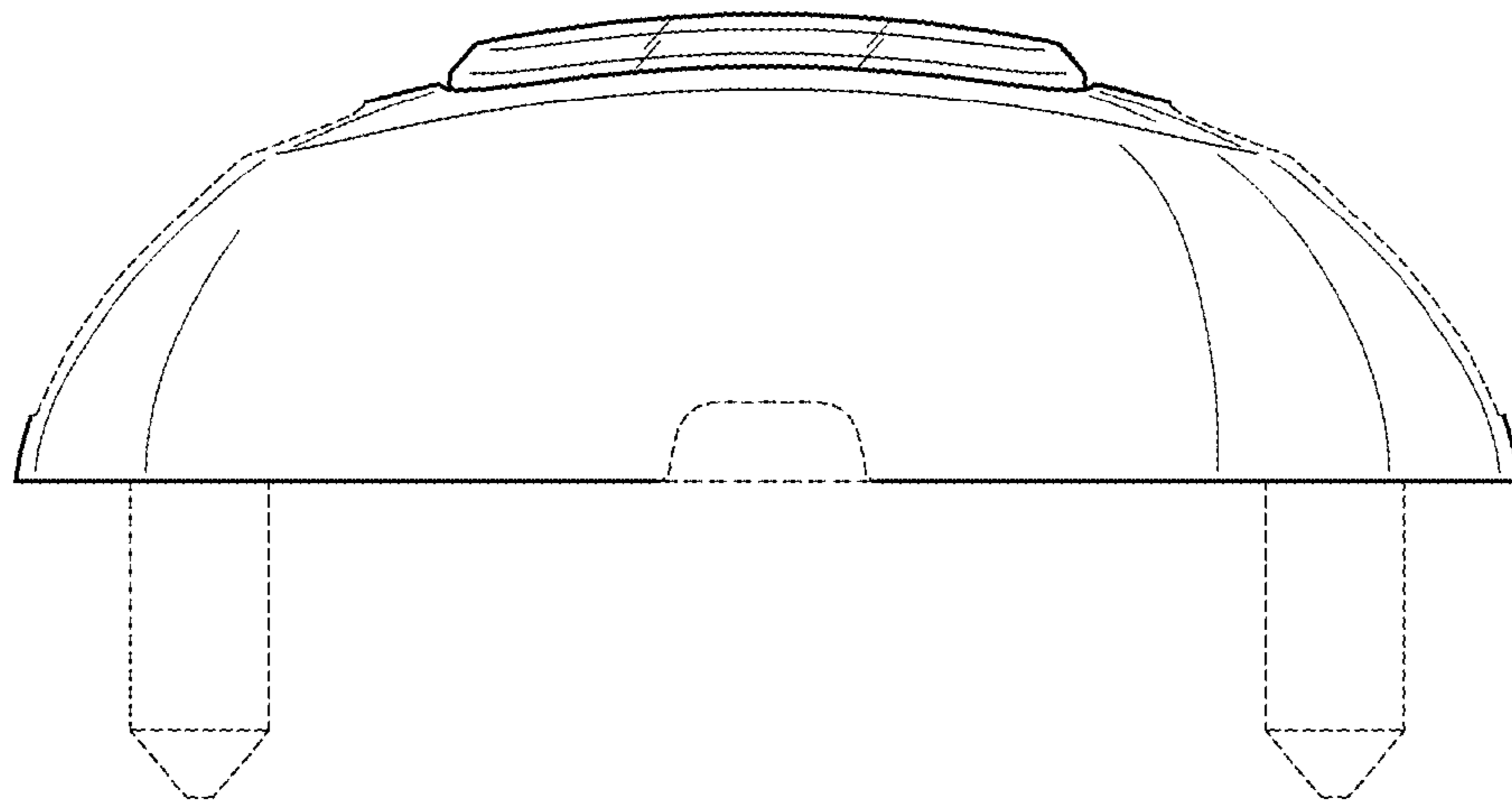


FIG. 3

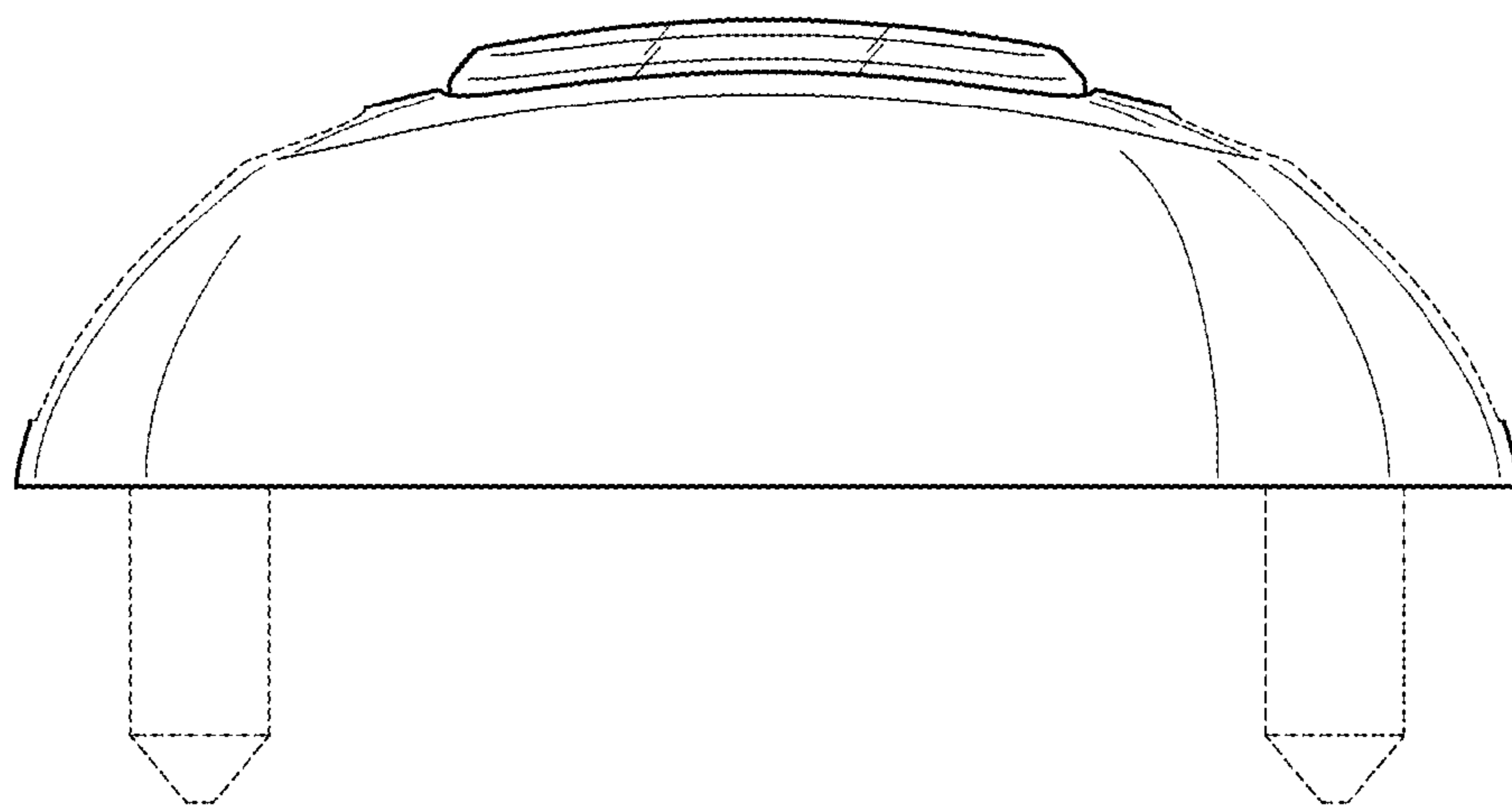


FIG. 4

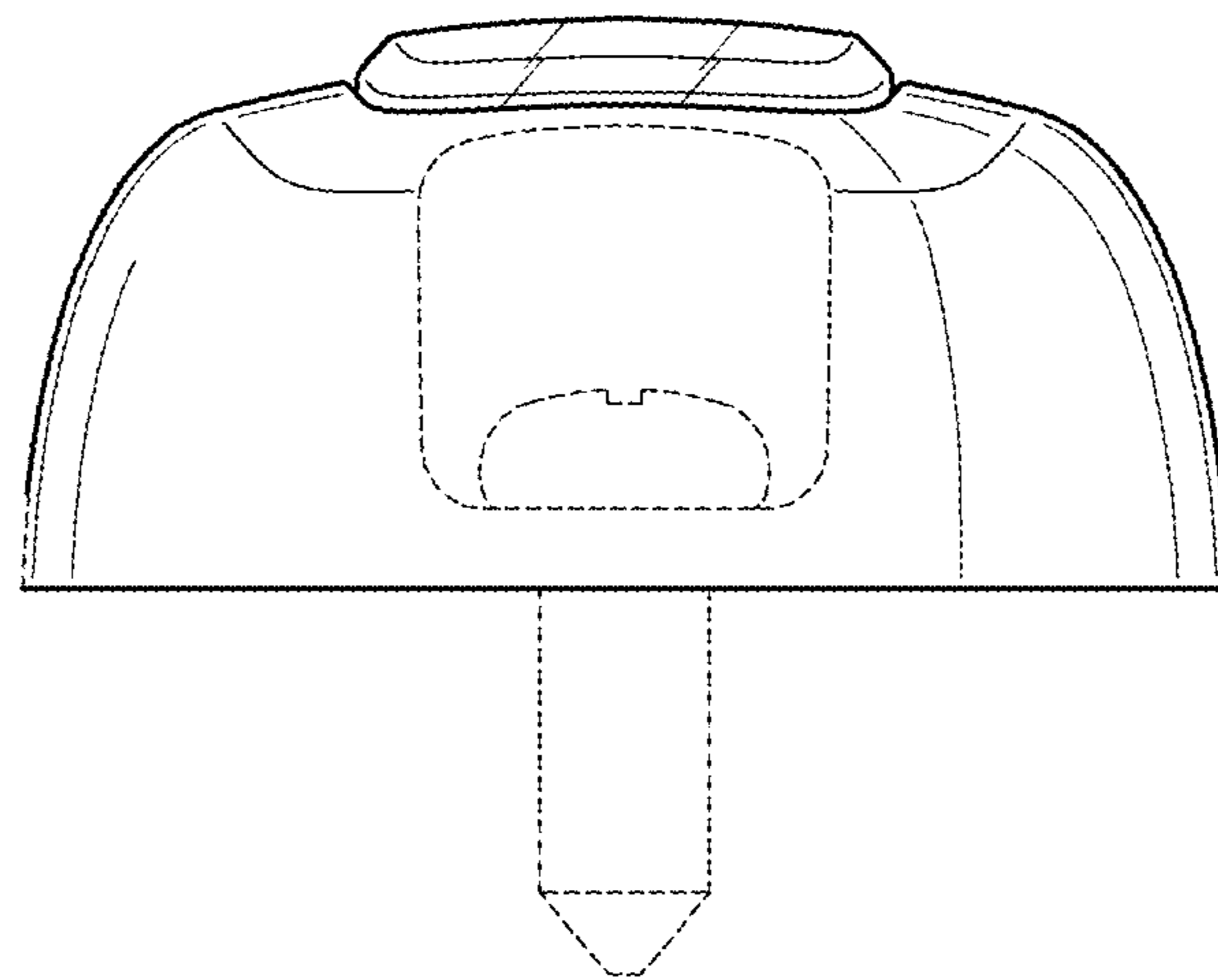


FIG. 5