



US00D828590S

(12) **United States Design Patent** (10) **Patent No.:** **US D828,590 S**
Hannemann (45) **Date of Patent:** **** Sep. 11, 2018**

(54) **HEADLIGHT FOR A VEHICLE**
 (71) Applicant: **Bayersiche Motoren Werke Aktiengesellschaft, Munich (DE)**
 (72) Inventor: **Lisa Hannemann, Munich (DE)**
 (73) Assignee: **Bayerische Motoren Werke Aktiengesellschaft, Munich (DE)**
 (**) Term: **15 Years**

D762,314 S * 7/2016 Luk D26/28
 D762,894 S * 8/2016 Luk D26/28
 D765,282 S * 8/2016 Lai D26/28
 D767,176 S * 9/2016 Faghihzadeh D26/28
 D767,177 S * 9/2016 Faghihzadeh D26/28
 D767,179 S * 9/2016 Lai D26/28
 D772,453 S * 11/2016 Wheel D26/28

(21) Appl. No.: **29/594,698**
 (22) Filed: **Feb. 22, 2017**

FOREIGN PATENT DOCUMENTS

WO WO DM/076561 2/2012
 WO WO DM/078972 2/2013
 WO WO DM/080366 9/2013

Foreign Application Priority Data

Aug. 23, 2016 (DE) 40 2016 101 021

* cited by examiner

Primary Examiner — Angela J Lee

(74) *Attorney, Agent, or Firm* — Crowell & Moring LLP

(51) **LOC (11) Cl.** **26-07**
 (52) **U.S. Cl.**
 USPC **D26/28**

CLAIM

The ornamental design for a headlight for a vehicle, as shown and described.

(58) **Field of Classification Search**
 USPC D26/28–36; 362/459–468, 475–478,
 362/485–487
 CPC F21S 48/00; F21S 48/10; F21S 48/115;
 F21S 48/225; F21S 48/1233; F21S
 48/1266; F21S 48/1388; F21S 48/2268;
 F21V 21/04
 See application file for complete search history.

DESCRIPTION

This application contains subject matter related to the following co-pending U.S. design patent applications:

Application Ser. No. 29/594,683, filed herewith and entitled “Vehicle, Toy, and/or Replicas Thereof”; and

Application Ser. No. 29/594,697, filed herewith and entitled “Headlight for a Vehicle”.

FIG. 1 is a front view of a headlight for a vehicle according to the design;

FIG. 2 is a right perspective view thereof;

FIG. 3 is a left perspective view thereof;

FIG. 4 is a right side view thereof;

FIG. 5 is a left side view thereof;

FIG. 6 is a top view thereof;

FIG. 7 is a bottom view thereof; and,

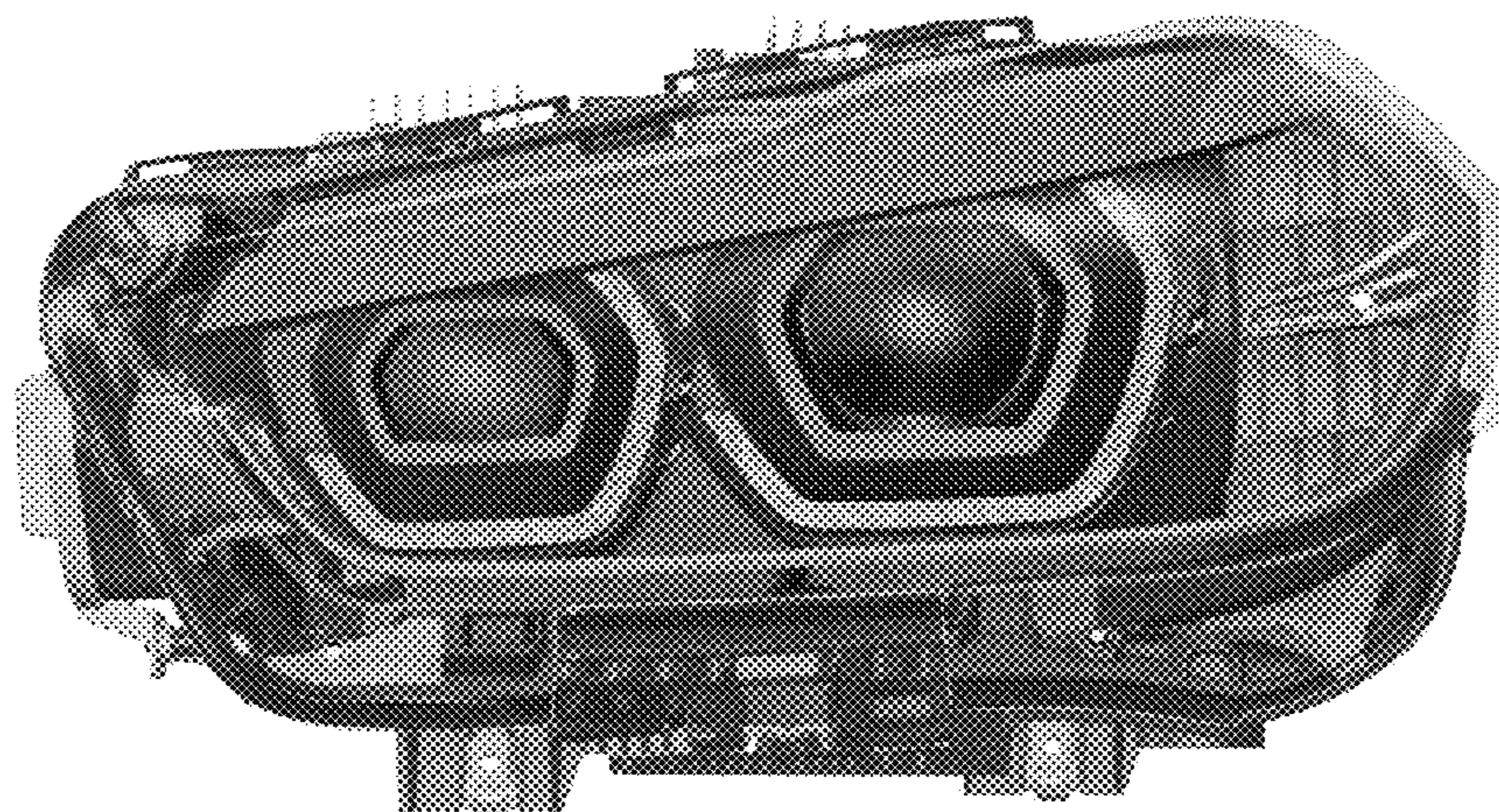
FIG. 8 is a rear view thereof.

References Cited

U.S. PATENT DOCUMENTS

D686,356 S 7/2013 Morgenstern
 D723,724 S * 3/2015 Johnson D26/28
 D736,969 S * 8/2015 Selvaag D26/28
 D739,056 S * 9/2015 Nordmann D26/28
 D743,065 S * 11/2015 Weil D26/28

1 Claim, 8 Drawing Sheets



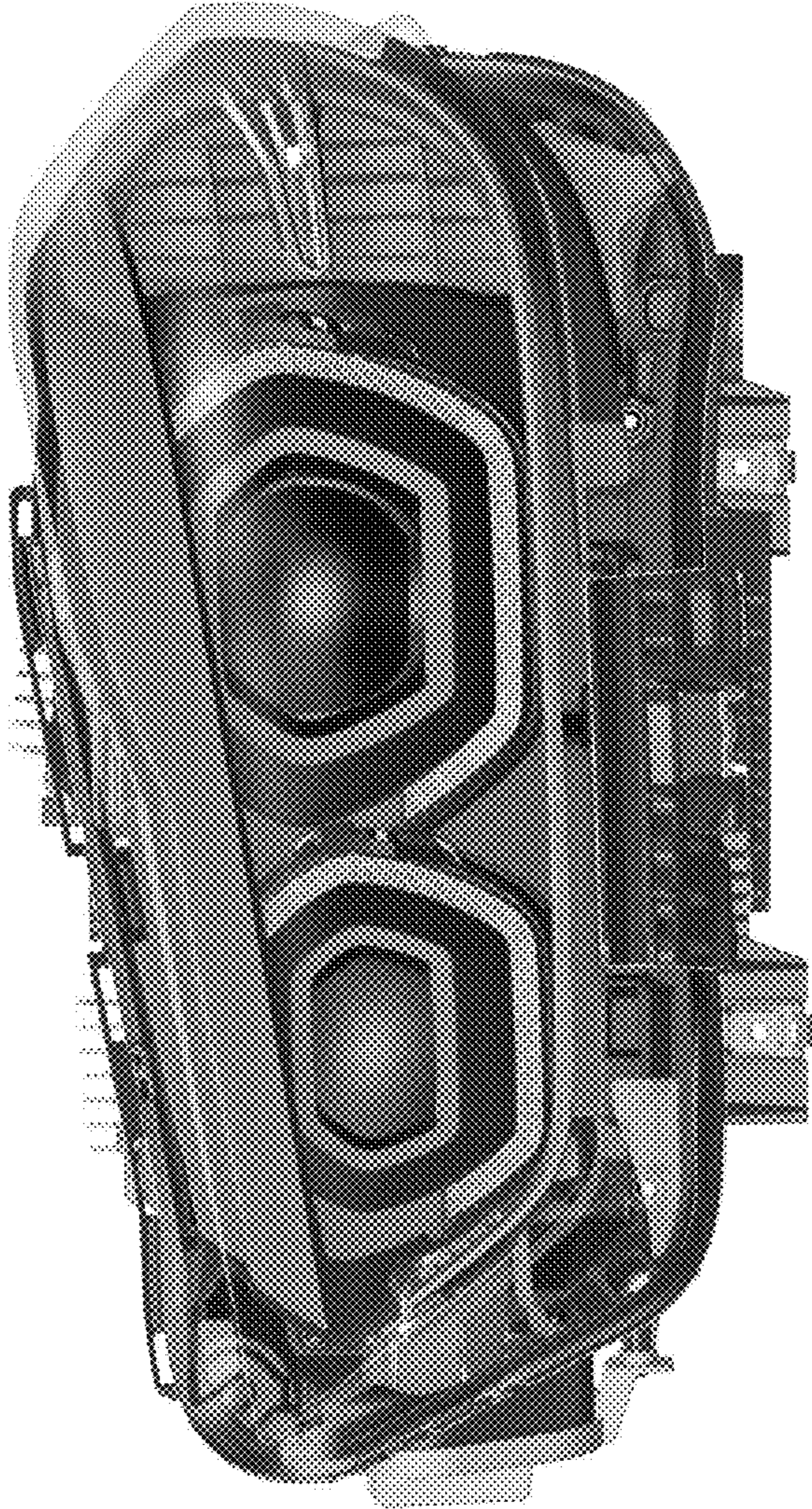


Fig. 1

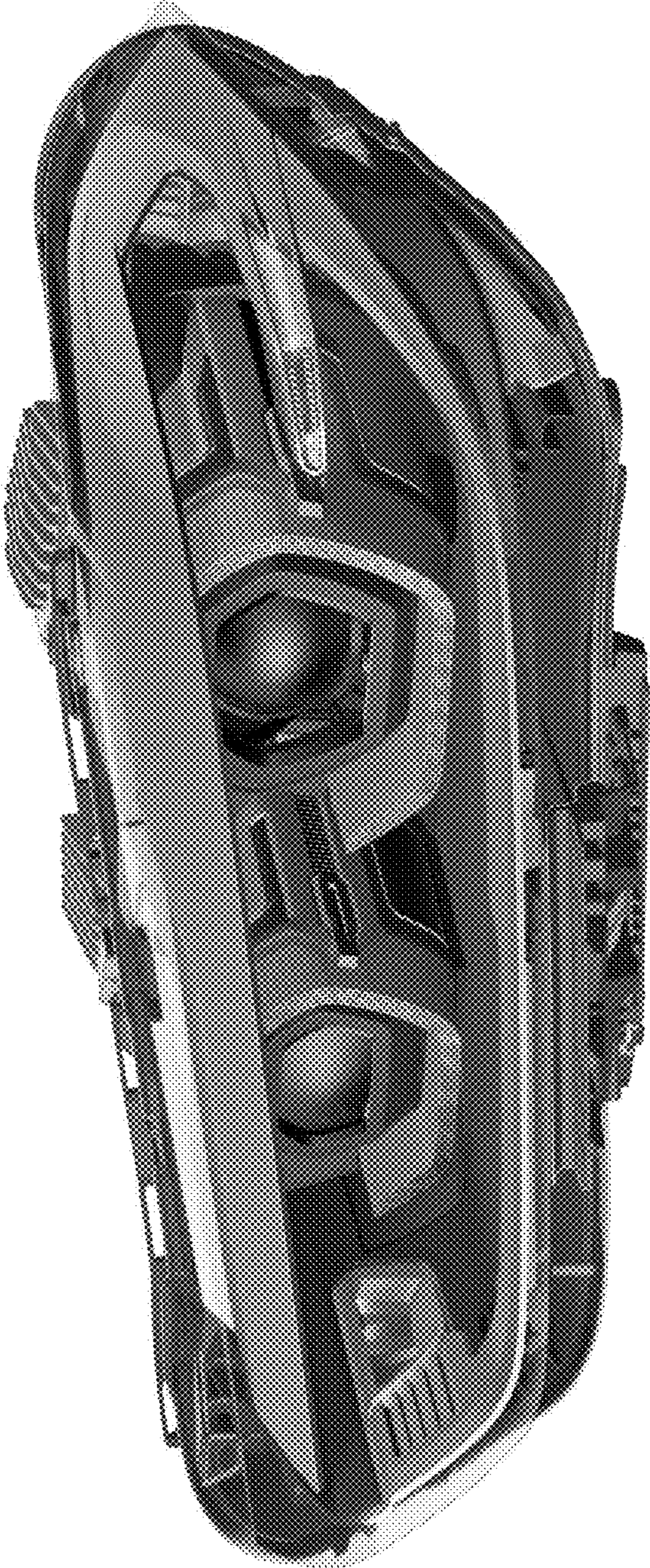


Fig. 2

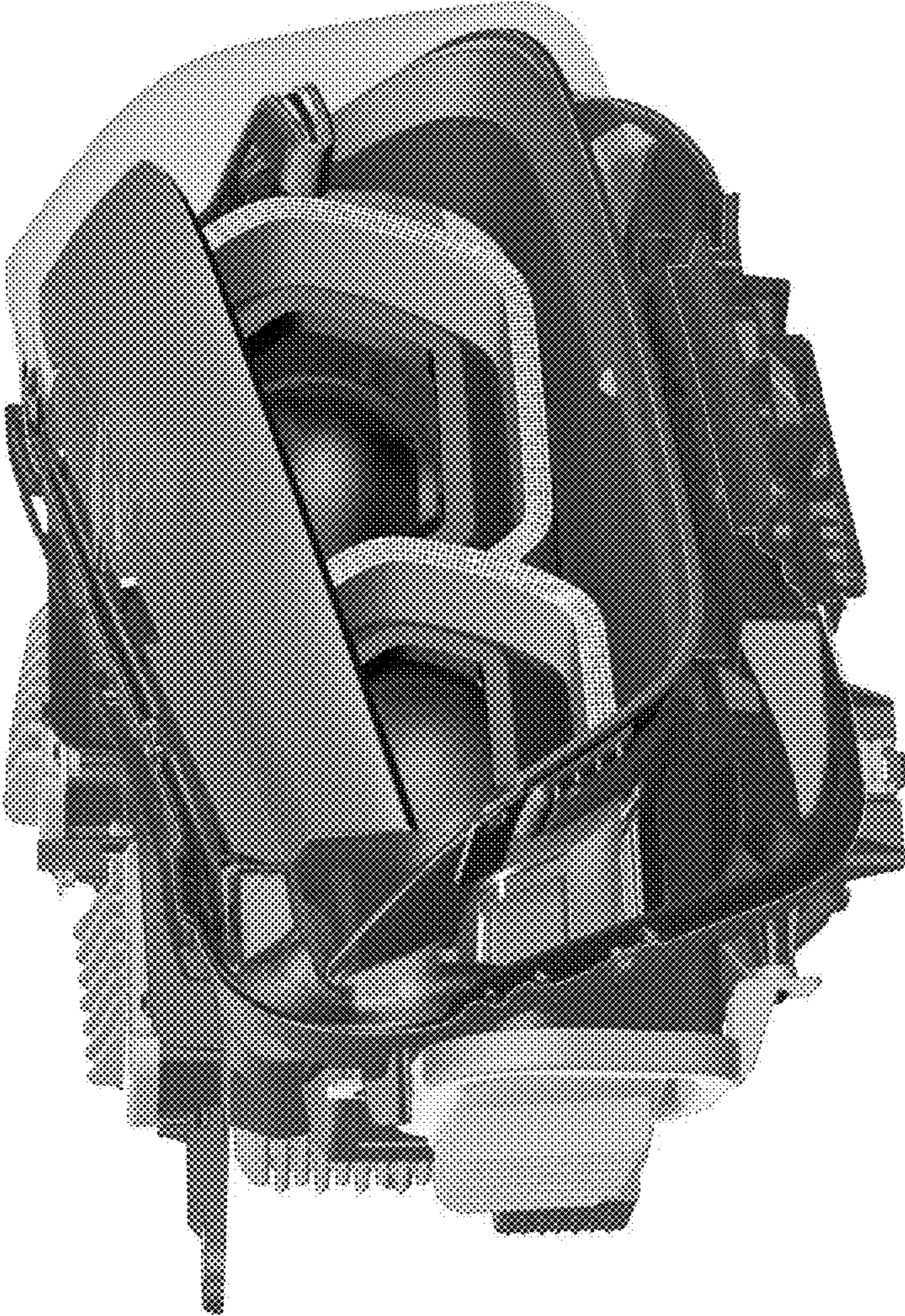


Fig. 3

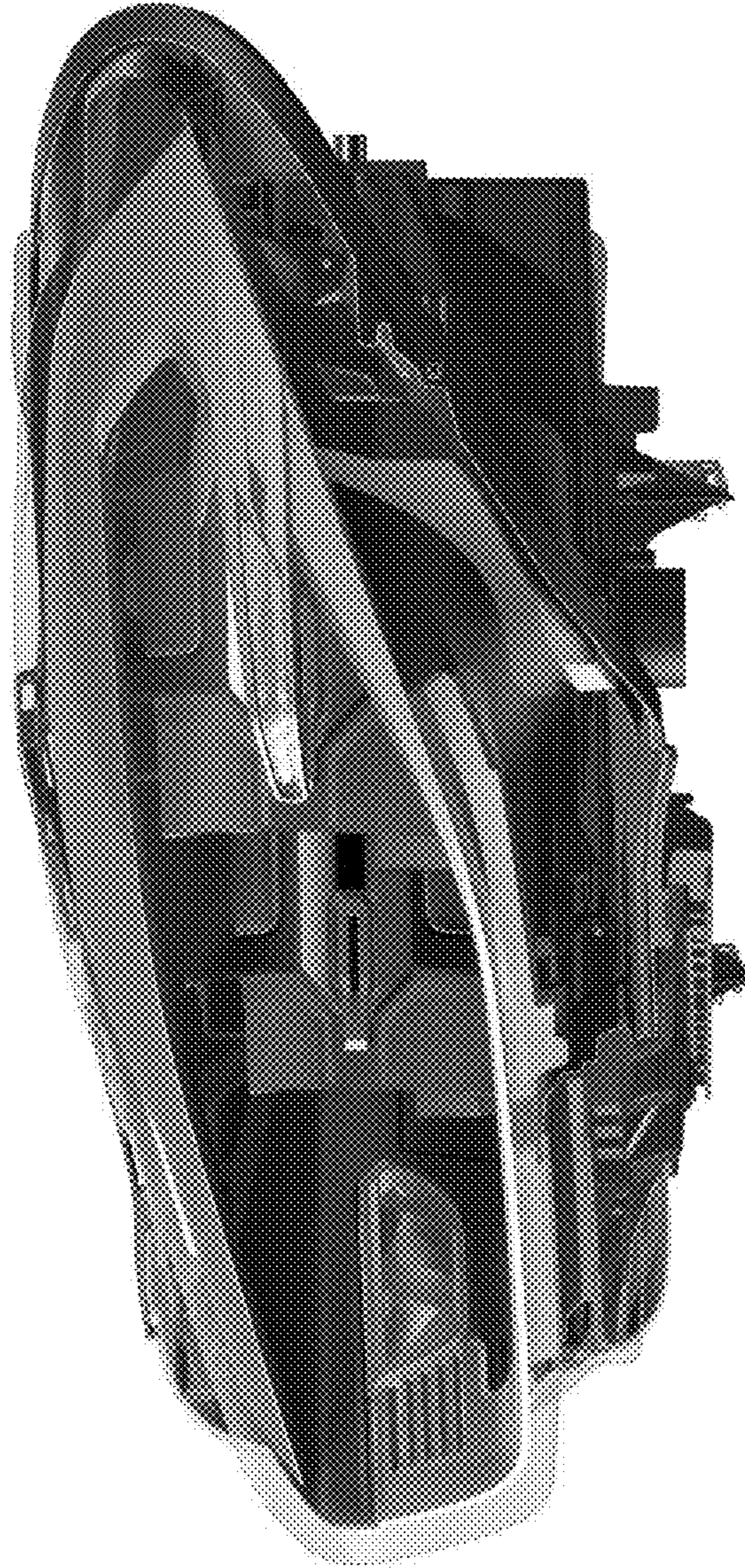


Fig. 4

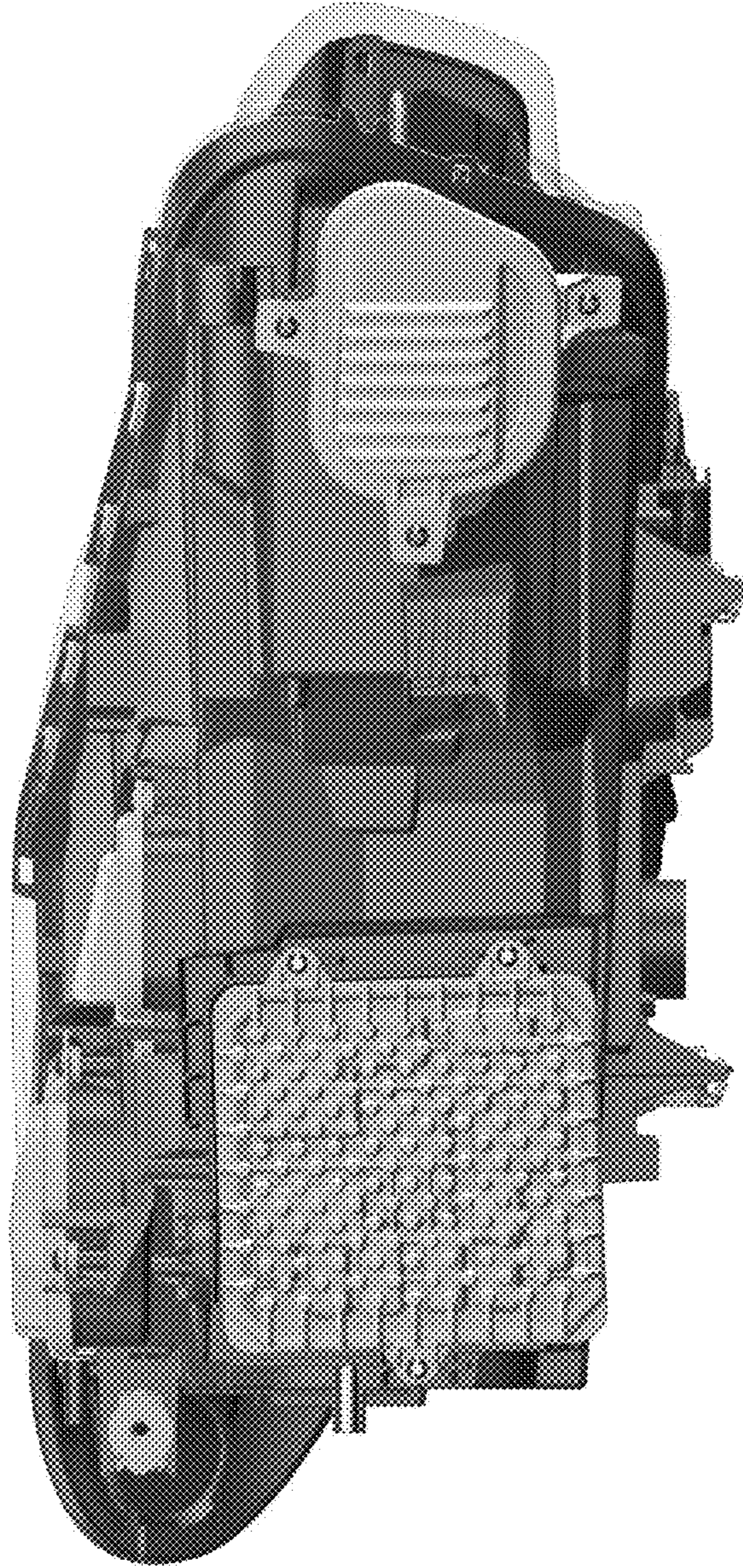


Fig. 5

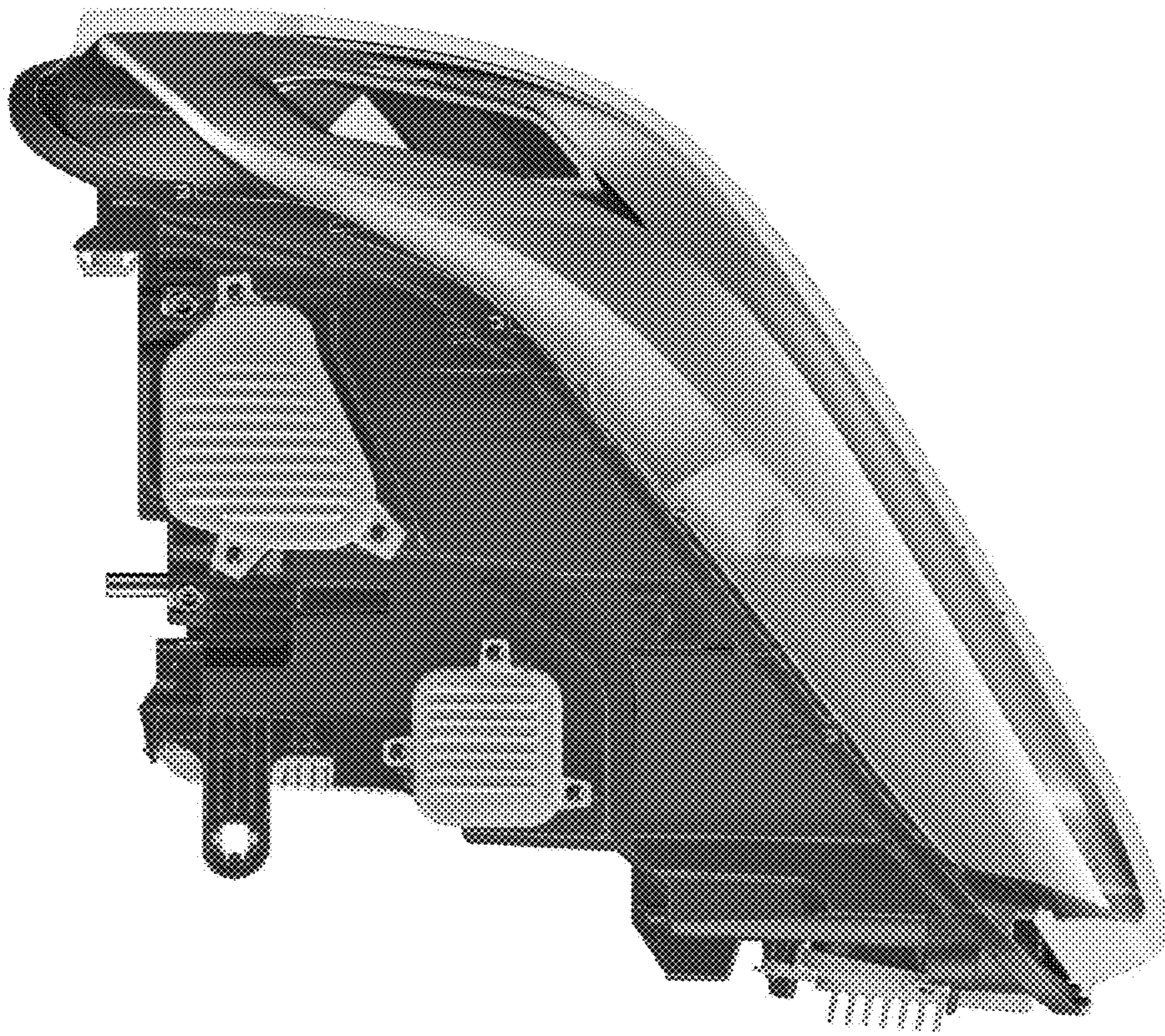


Fig. 6

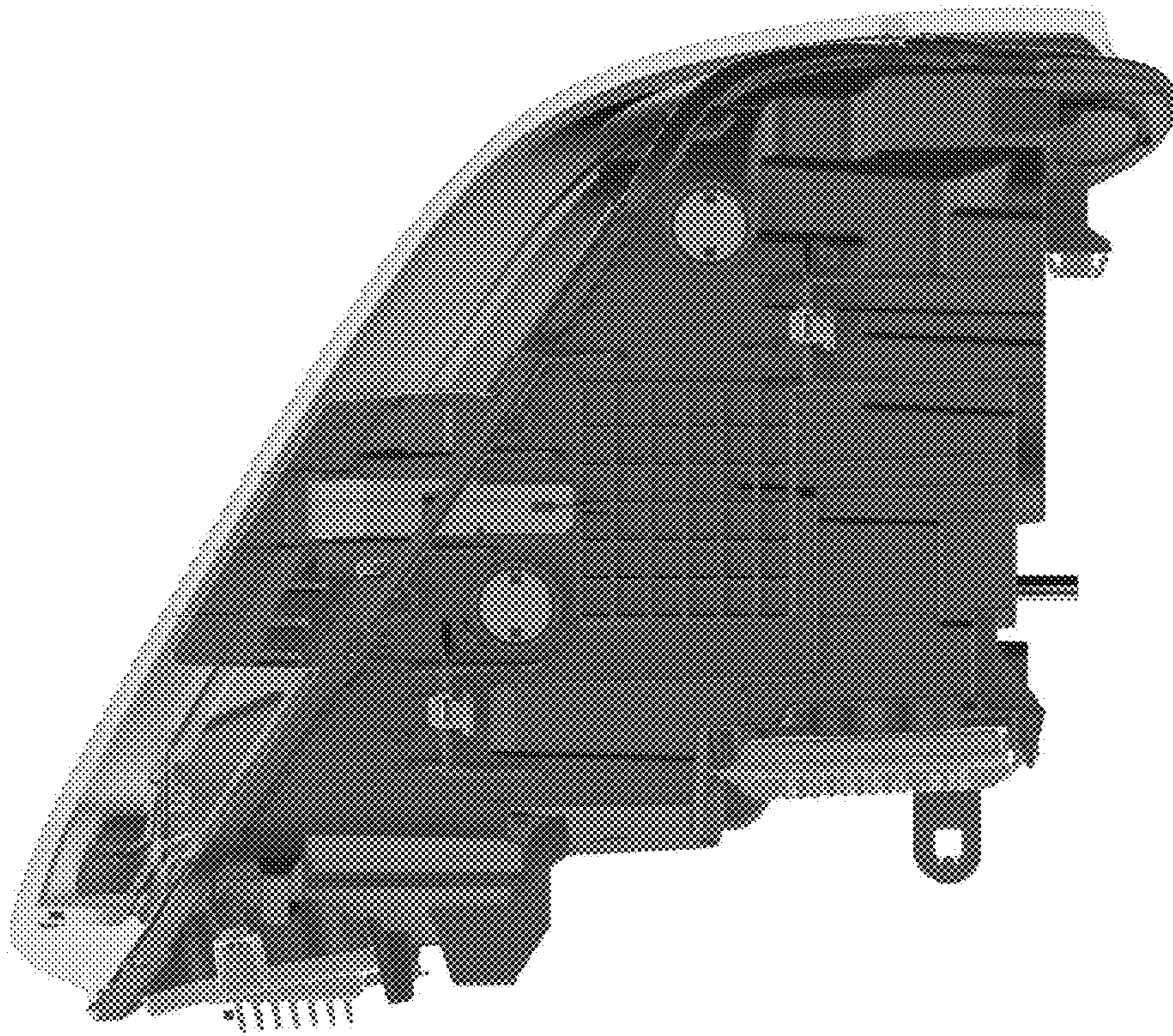


Fig. 7

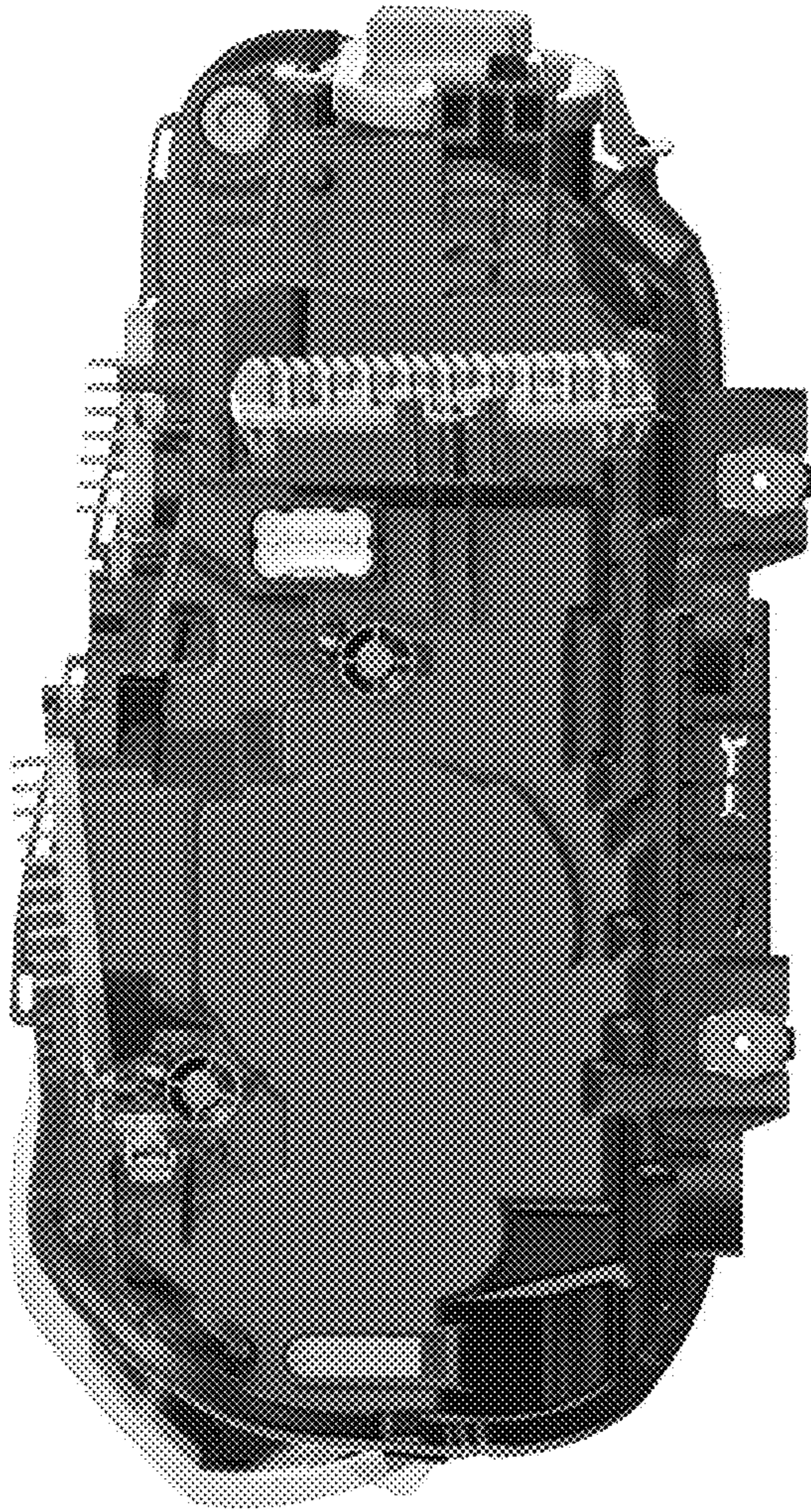


Fig. 8