



US00D828589S

(12) **United States Design Patent** (10) **Patent No.:** **US D828,589 S**
Hannemann (45) **Date of Patent:** **** Sep. 11, 2018**

(54) **HEADLIGHT FOR A VEHICLE**
(71) Applicant: **Bayerische Motoren Werke Aktiengesellschaft, Munich (DE)**
(72) Inventor: **Lisa Hannemann, Munich (DE)**
(73) Assignee: **Bayerische Motoren Werke Aktiengesellschaft, Munich (DE)**

D762,314 S * 7/2016 Luk D26/28
D762,894 S * 8/2016 Luk D26/28
D765,282 S * 8/2016 Lai D26/28
D767,176 S * 9/2016 Faghihzadeh D26/28
D767,177 S * 9/2016 Faghihzadeh D26/28
D767,179 S * 9/2016 Lai D26/28
D772,453 S * 11/2016 Wheel D26/28

(**) Term: **15 Years**

(21) Appl. No.: **29/594,697**

(22) Filed: **Feb. 22, 2017**

(30) **Foreign Application Priority Data**

Aug. 23, 2016 (DE) 40 2016 101 021

(51) **LOC (11) Cl.** **26-07**

(52) **U.S. Cl.**
USPC **D26/28**

(58) **Field of Classification Search**
USPC D26/28-36; 362/459-468, 475-478,
362/485-487
CPC F21S 48/00; F21S 48/10; F21S 48/115;
F21S 48/225; F21S 48/1233; F21S
48/1266; F21S 48/1388; F21S 48/2268;
F21V 21/04

See application file for complete search history.

(56) **References Cited**

U.S. PATENT DOCUMENTS

D605,792 S 12/2009 Weil
D686,355 S 7/2013 Morgenstern
D723,724 S * 3/2015 Johnson D26/28
D736,969 S * 8/2015 Selvaag D26/28
D739,056 S * 9/2015 Nordmann D26/28
D743,065 S * 11/2015 Weil D26/28

FOREIGN PATENT DOCUMENTS

WO WO DM/070811 3/2009
WO WO DM/076561 2/2012
WO WO DM/080366 9/2013

* cited by examiner

Primary Examiner — Angela J Lee

(74) *Attorney, Agent, or Firm* — Crowell & Moring LLP

(57) **CLAIM**

The ornamental design for a headlight for a vehicle, as shown and described.

DESCRIPTION

This application contains subject matter related to the following co-pending U.S. design patent applications:

Application Ser. No. 29/594,683, filed herewith and entitled “Vehicle, Toy, and/or Replicas Thereof”; and

Application Ser. No. 29/594,698, filed herewith and entitled “Headlight for a Vehicle”.

FIG. 1 is a front view of a headlight for a vehicle according to the design;

FIG. 2 is a right perspective view thereof;

FIG. 3 is a left perspective view thereof;

FIG. 4 is a right side view thereof;

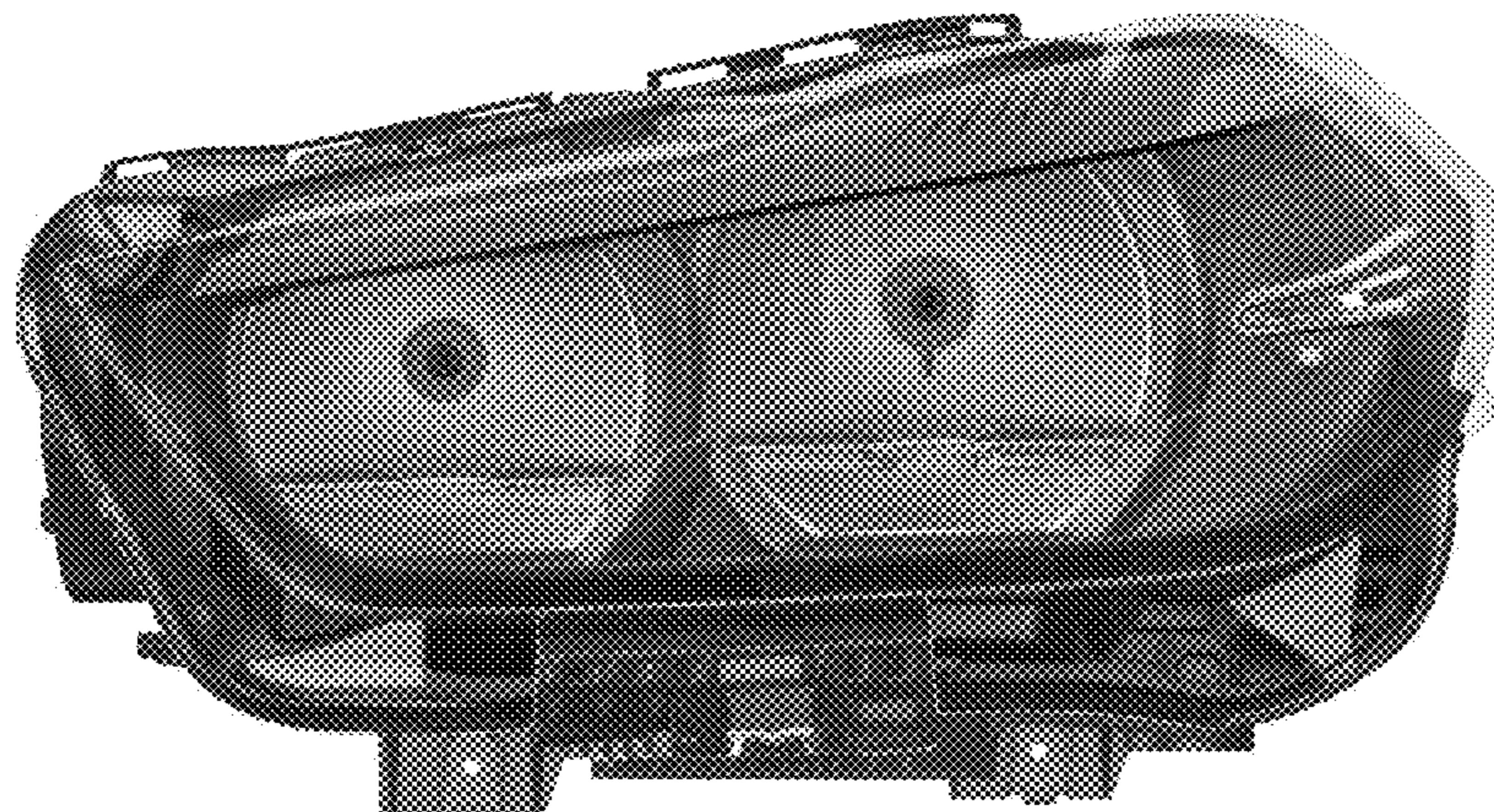
FIG. 5 is a left side view thereof;

FIG. 6 is a top view thereof;

FIG. 7 is a bottom view thereof; and,

FIG. 8 is a rear view thereof.

1 Claim, 8 Drawing Sheets



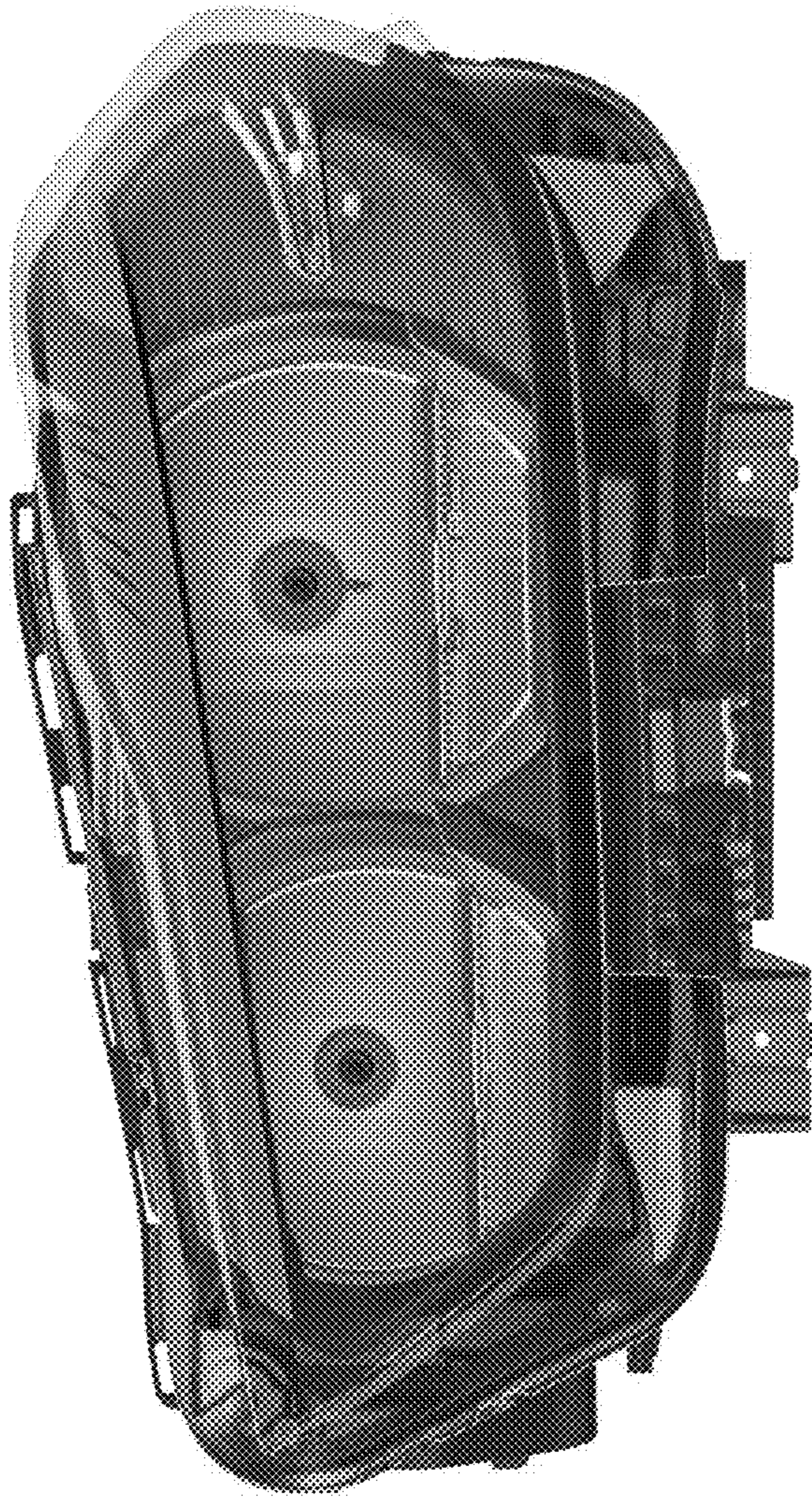


Fig. 1

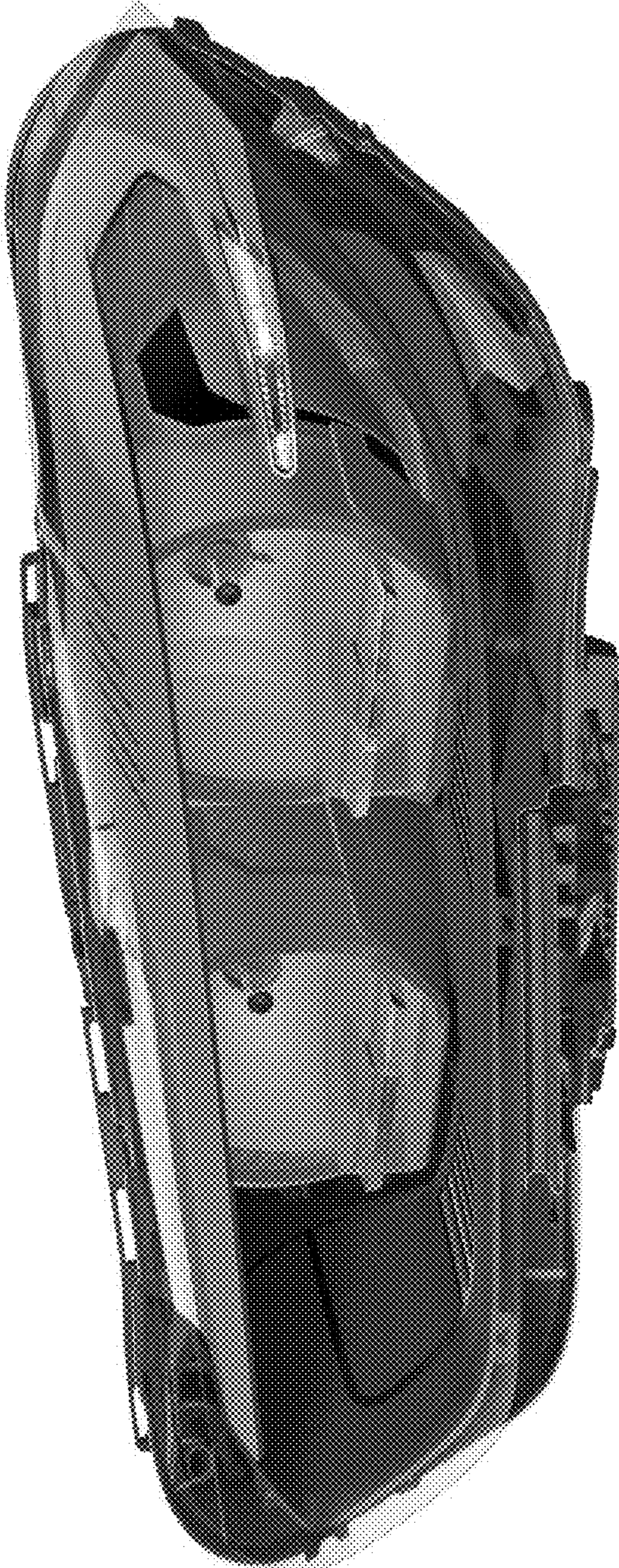


Fig. 2

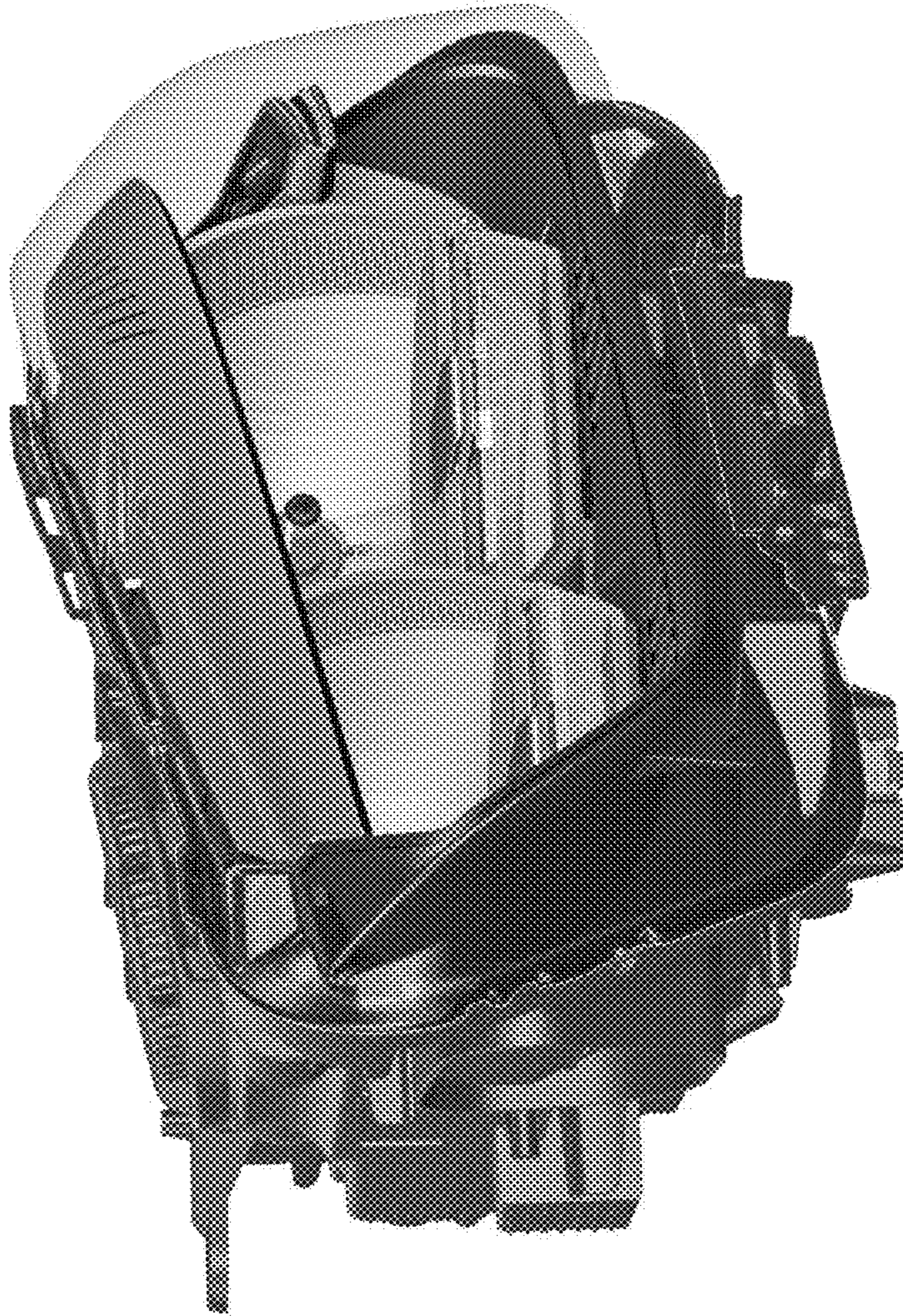


Fig. 3

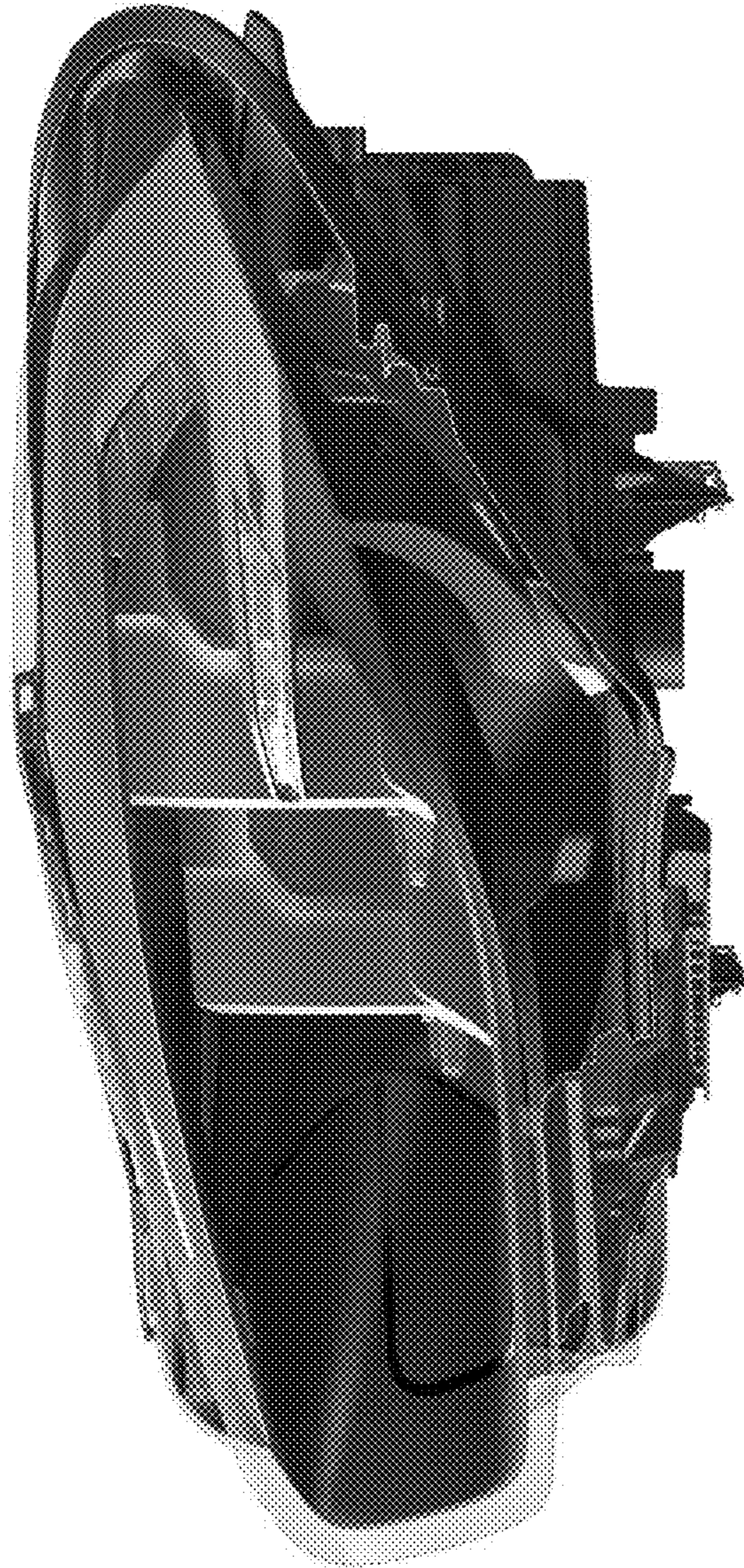


Fig. 4

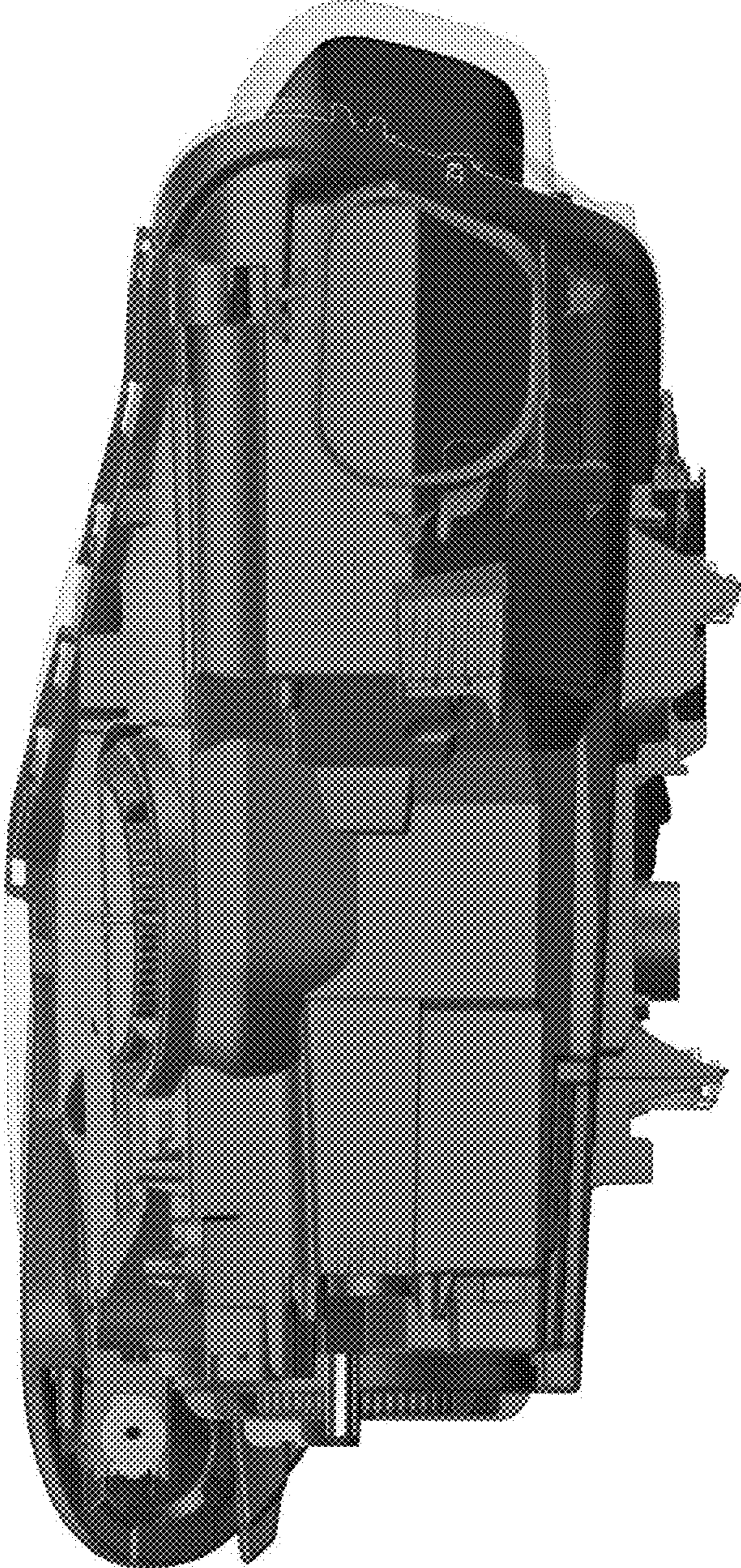


Fig. 5

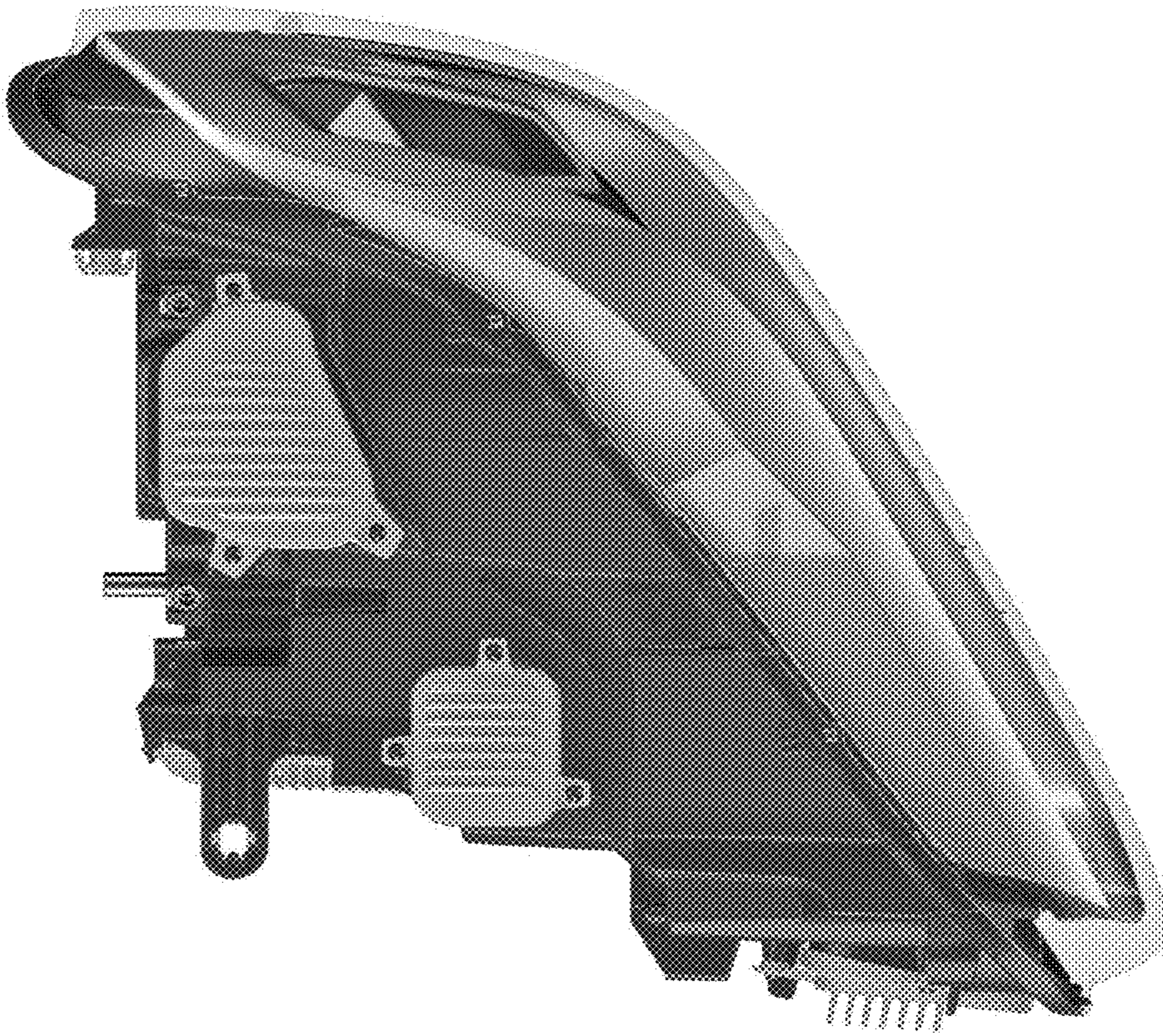


Fig. 6

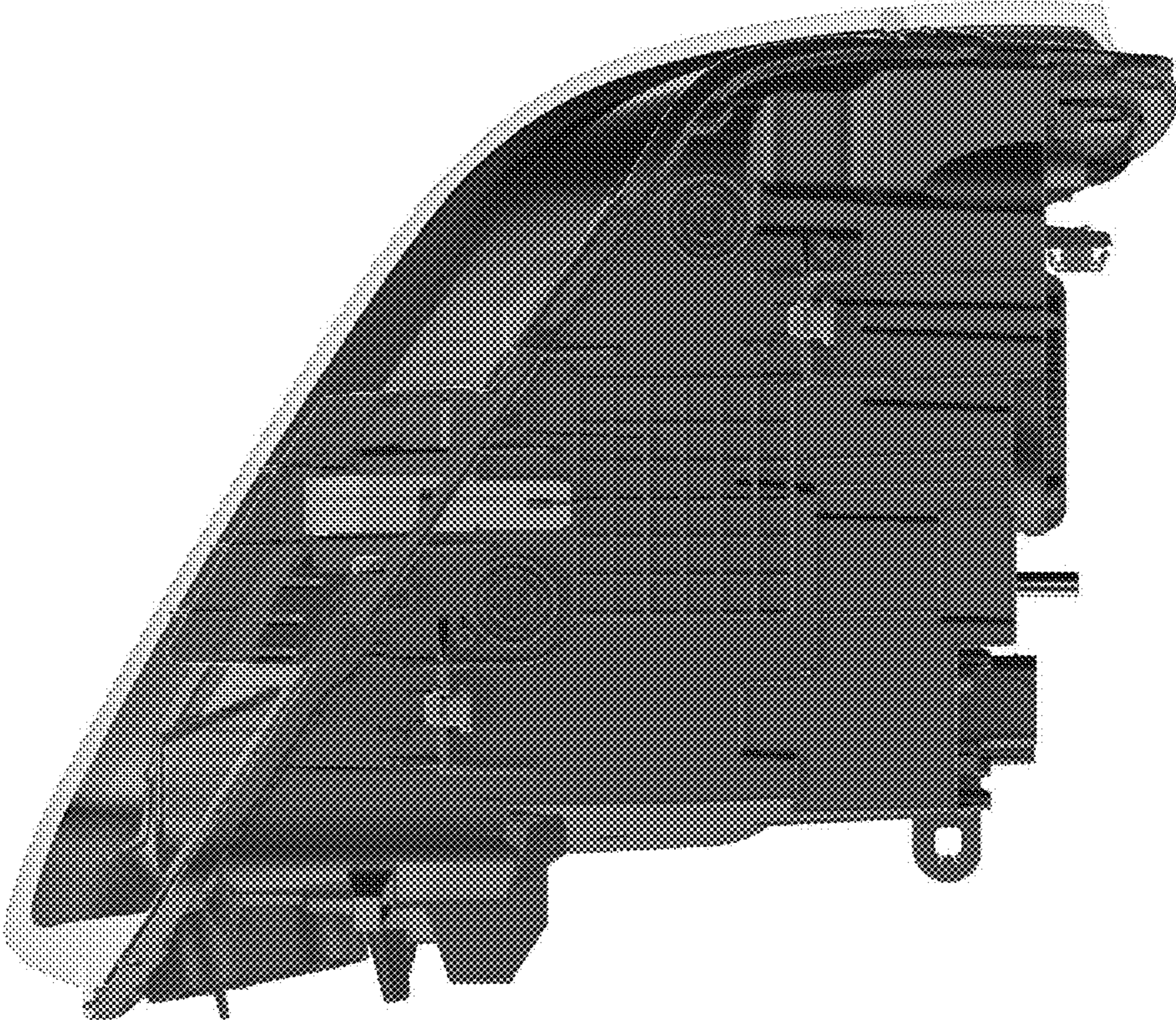


Fig. 7

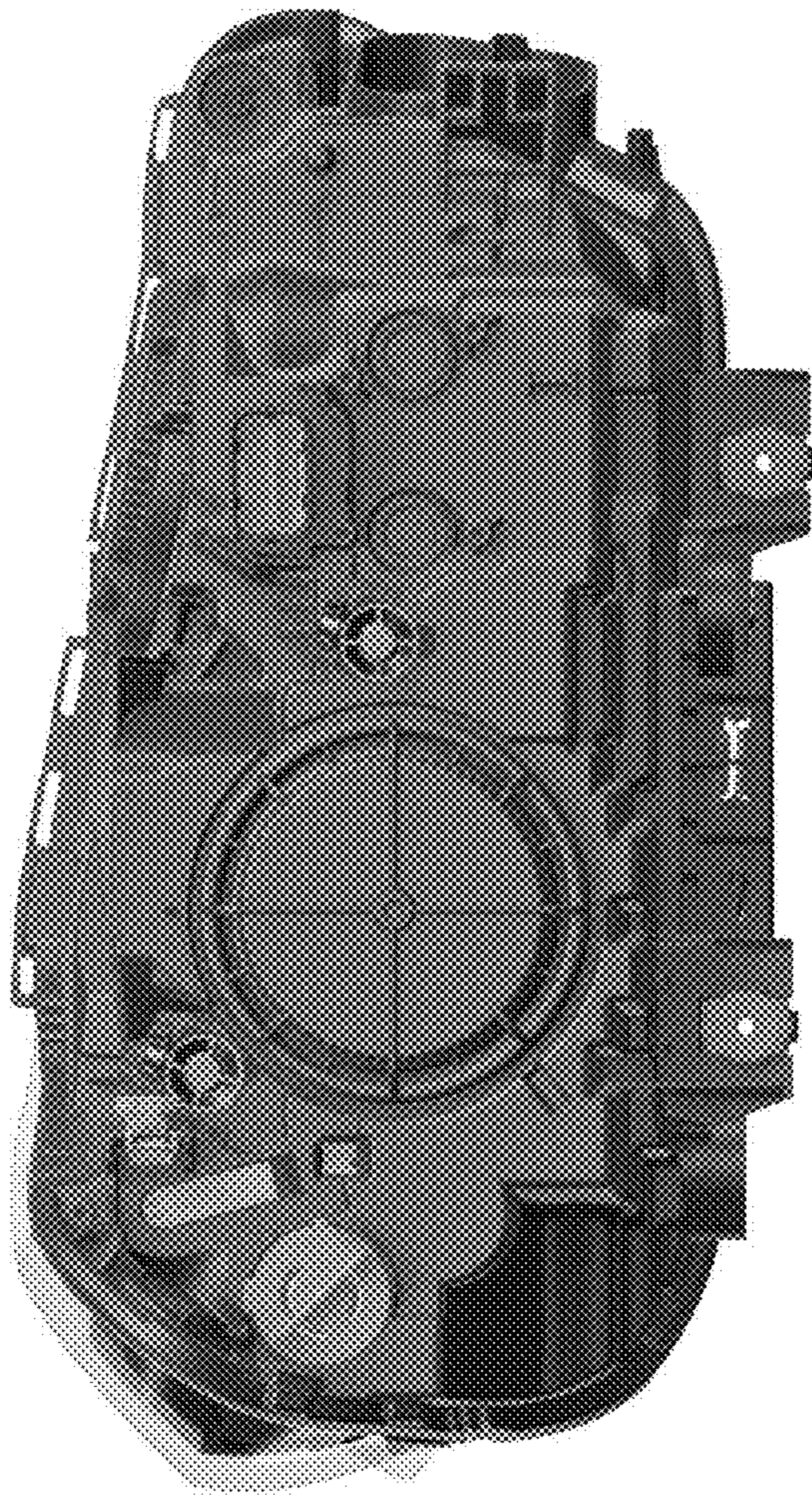


Fig. 8