

US00D828587S

(12) **United States Design Patent**
Kelly

(10) **Patent No.:** **US D828,587 S**

(45) **Date of Patent:** **** Sep. 11, 2018**

(54) **ROPE LIGHT**

(71) Applicant: **Luke Kelly**, Mamaroneck, NJ (US)

(72) Inventor: **Luke Kelly**, Mamaroneck, NJ (US)

(**) Term: **15 Years**

(21) Appl. No.: **29/604,051**

(22) Filed: **May 15, 2017**

(51) **LOC (11) Cl.** **26-03**

(52) **U.S. Cl.**
USPC **D26/25**

(58) **Field of Classification Search**
USPC D26/1, 24, 25, 27, 51
CPC F21S 4/00; F21S 4/002; F21S 4/005; F21S
4/007; G02B 6/0006; G02B 6/0008;
G02B 6/4298; G02B 6/001; F21Y
2101/02; F21K 9/00
See application file for complete search history.

(56) **References Cited**

U.S. PATENT DOCUMENTS

D374,097 S *	9/1996	Aiken	D26/25
D387,883 S *	12/1997	Montgomery	D26/25
D446,322 S *	8/2001	Chang	D26/25
D474,852 S *	5/2003	Carville	D26/25
D482,806 S *	11/2003	Lofton	D26/25
D550,869 S *	9/2007	Hoshikawa	D26/25

D556,078 S *	11/2007	Schrimmer	D26/25
D590,530 S *	4/2009	Tsai	D26/51
D602,183 S *	10/2009	Wiese-Martin	D26/25
D764,080 S *	8/2016	Enright	D26/25

* cited by examiner

Primary Examiner — Brian N. Vinson

(74) *Attorney, Agent, or Firm* — Scott H. Kaliko, Esq.;
Kaliko & Associates, LLC

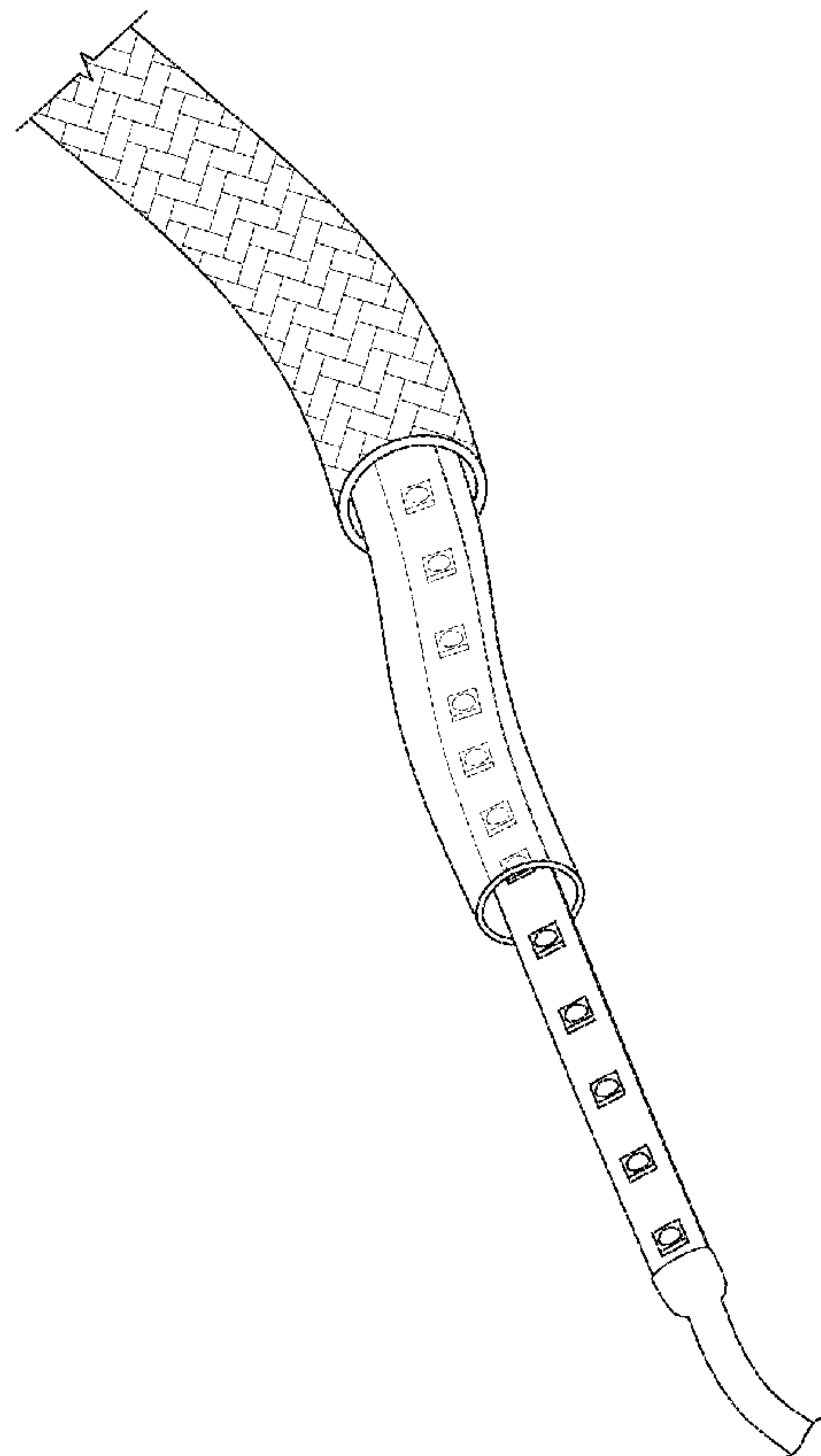
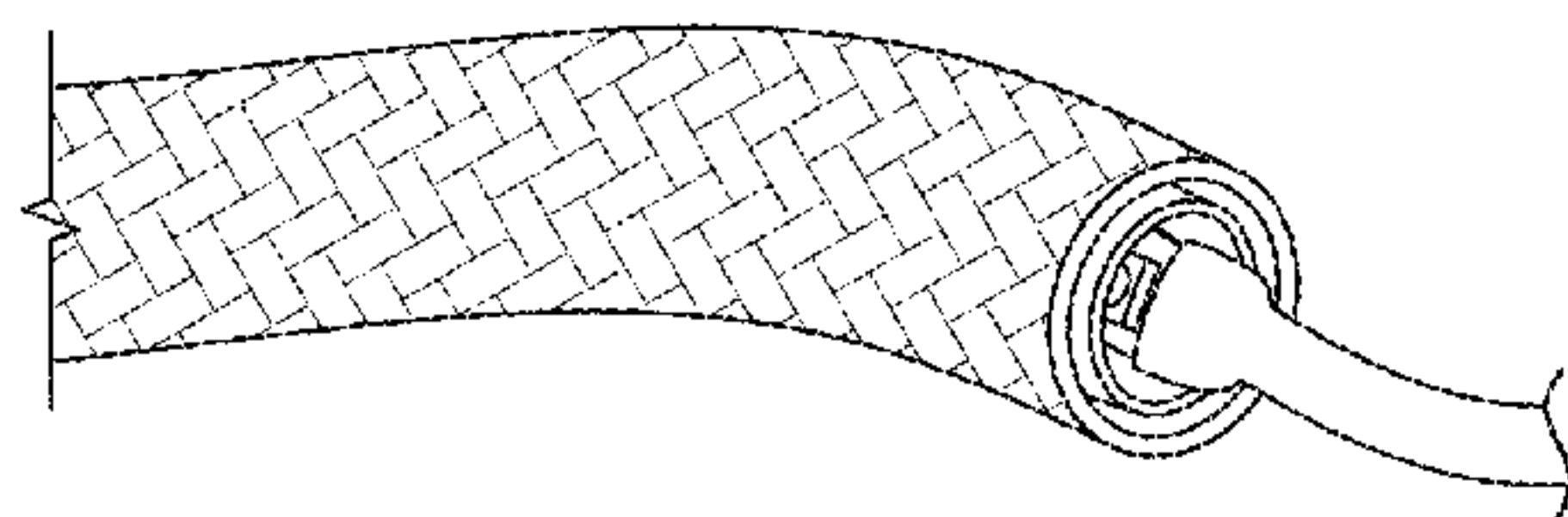
(57) **CLAIM**

The ornamental design for a rope light, as shown and described.

DESCRIPTION

FIG. 1 is a perspective view of a rope light showing my new design;
 FIG. 2 is an exploded view thereof;
 FIG. 3 is a top view thereof;
 FIG. 4 is a bottom view thereof;
 FIG. 5 is side view thereof;
 FIG. 6 is a front view thereof; and,
 FIG. 7 is another exploded view thereof.
 The ends of the rope light as shown broken away to indicate that the claimed design is comprised of the fragment between those broken away lines.
 The broken lines present in the figures are included for the purpose of illustrating unclaimed portions of the article or environmental subject matter and form no part of the claimed design.

1 Claim, 5 Drawing Sheets



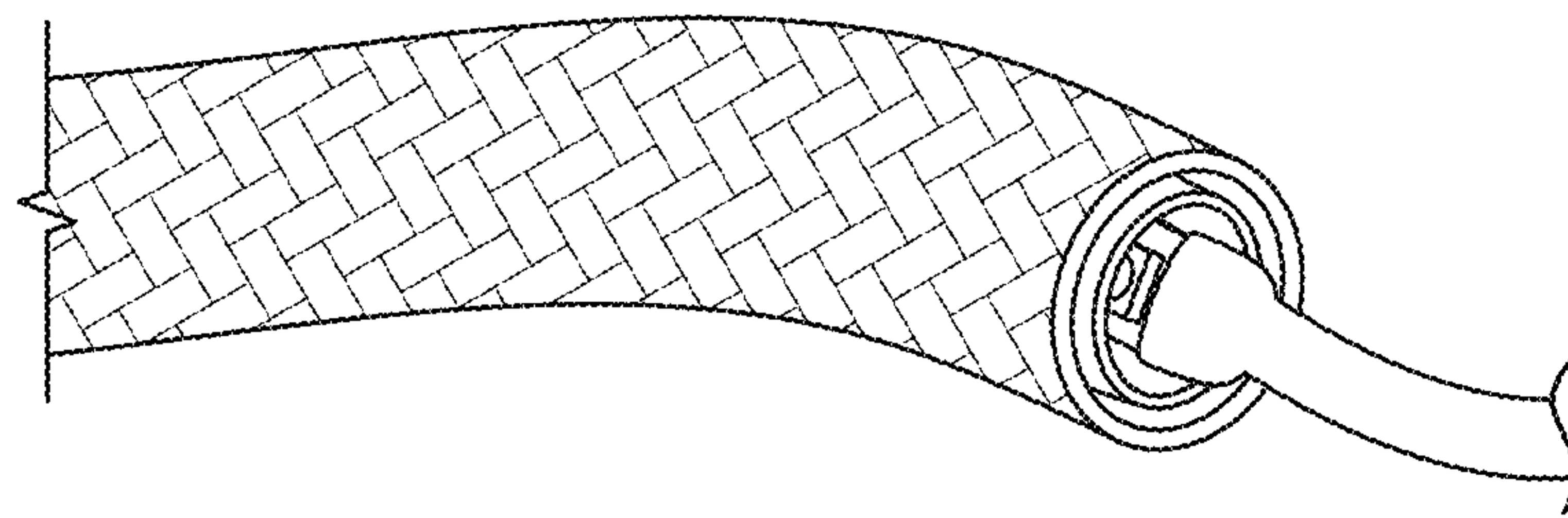


FIG. 1

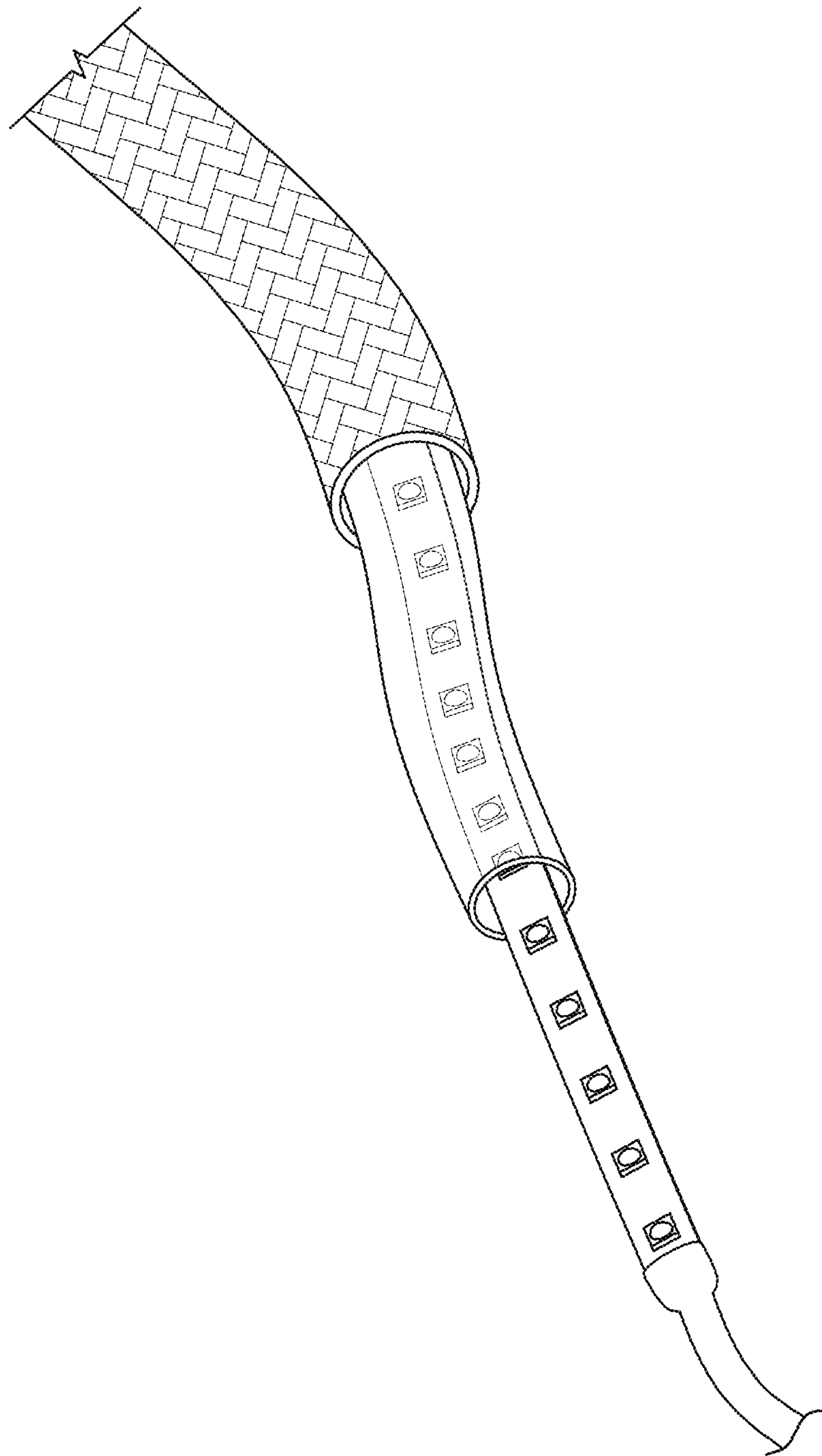


FIG. 2

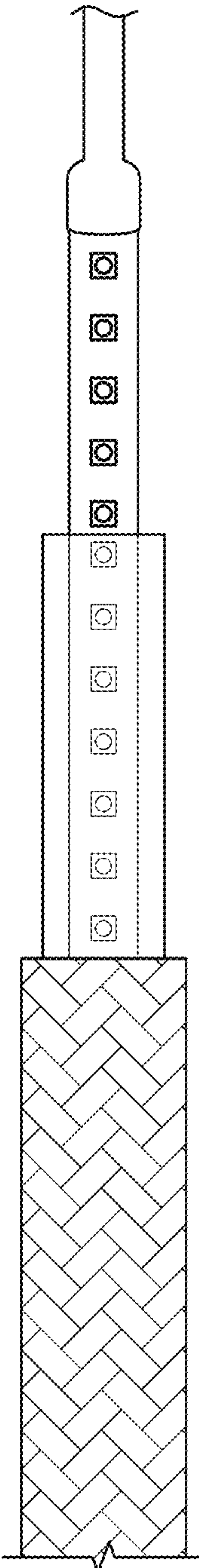


FIG. 3

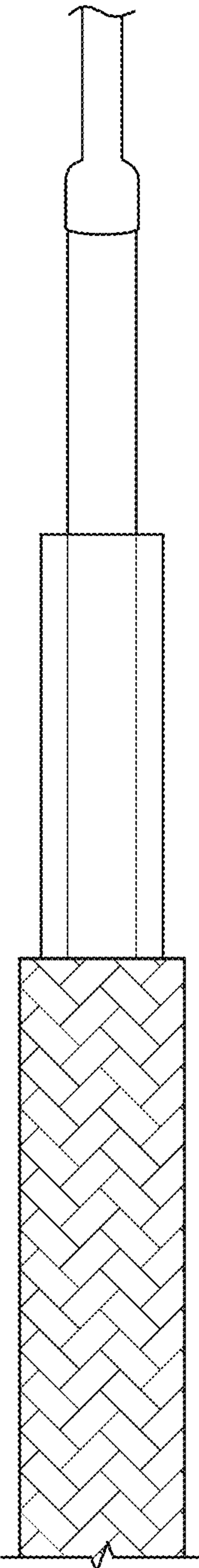


FIG. 4

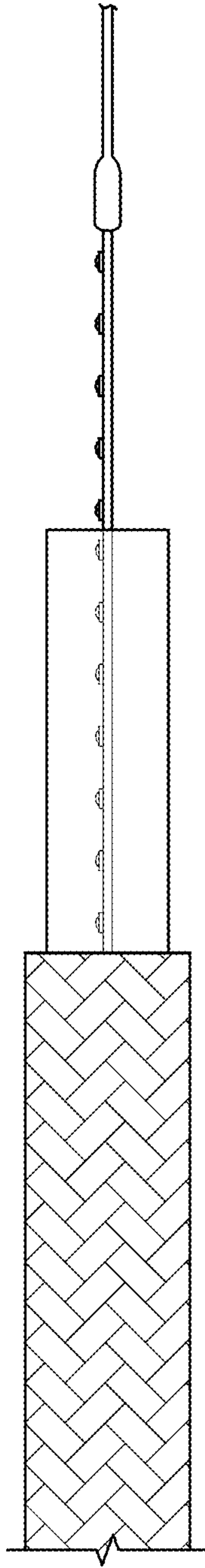


FIG. 5

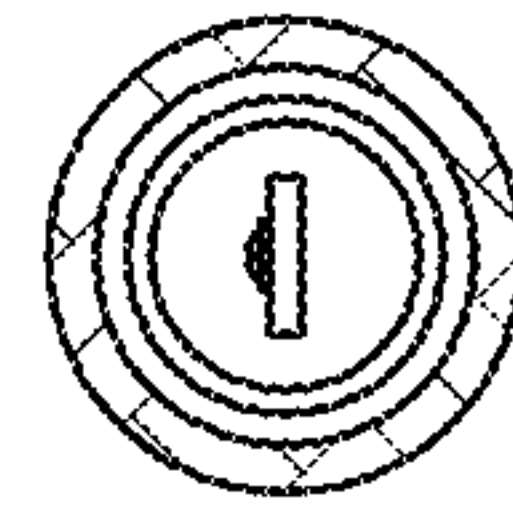


FIG. 6

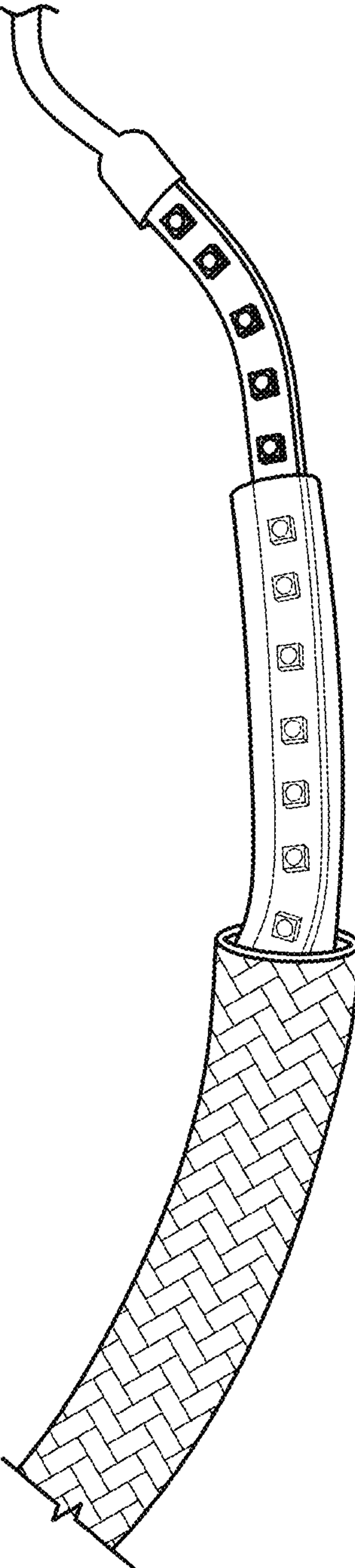


FIG. 7