



US00D828586S

(12) **United States Design Patent**
Li

(10) **Patent No.:** **US D828,586 S**

(45) **Date of Patent:** **** Sep. 11, 2018**

(54) **LED LIGHT**

(71) Applicant: **Wei Li**, Shenzhen (CN)

(72) Inventor: **Wei Li**, Shenzhen (CN)

(**) Term: **15 Years**

(21) Appl. No.: **29/633,062**

(22) Filed: **Jan. 12, 2018**

(51) **LOC (11) Cl.** **26-04**

(52) **U.S. Cl.**
USPC **D26/2**

(58) **Field of Classification Search**

USPC D26/1-4; 313/313, 315, 316, 317, 318,
313/493; 315/52, 53, 56, 57, 58
CPC H01R 5/00; H01R 13/46; H01R 13/514;
H01R 31/048; H01R 31/02; H01J 5/00;
H01J 15/00; H01J 5/48; H01J 5/50; H01J
19/54; F21V 5/00

See application file for complete search history.

(56) **References Cited**

U.S. PATENT DOCUMENTS

D271,424 S * 11/1983 Young D26/26
D543,288 S * 5/2007 Bembridge D26/2

D579,130 S * 10/2008 Hernandez, Jr. D26/2
D600,368 S * 9/2009 Bertram D26/2
D669,610 S * 10/2012 Yamamoto D26/2
D671,235 S * 11/2012 Yamamoto D26/2
D689,220 S 9/2013 Zhang
D733,334 S 6/2015 Huang

* cited by examiner

Primary Examiner — Marcus Jackson

(74) *Attorney, Agent, or Firm* — Wayne & King LLC

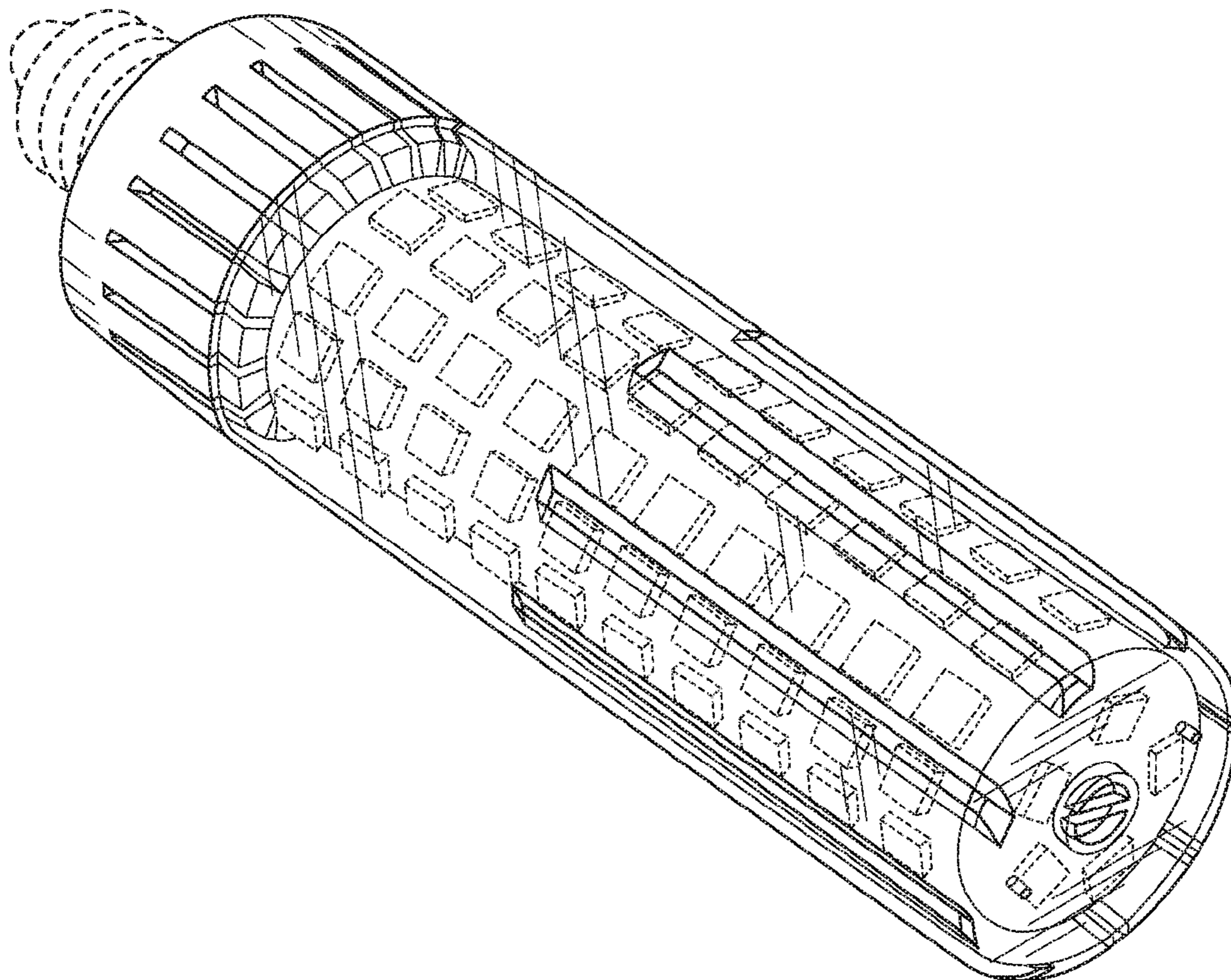
(57) **CLAIM**

The ornamental design for a LED light, as shown and described.

DESCRIPTION

FIG. 1 is a front view of a LED light;
FIG. 2 is a back view thereof;
FIG. 3 is a left side view thereof;
FIG. 4 is a right side view thereof;
FIG. 5 is a top plan view thereof;
FIG. 6 is a bottom plan view thereof;
FIG. 7 is a perspective view thereof; and,
FIG. 8 is an exploded front elevational view thereof.
The dashed or broken lines shown in the drawings depict portions of the LED light in which the design is embodied that form no part of the claimed design.

1 Claim, 7 Drawing Sheets



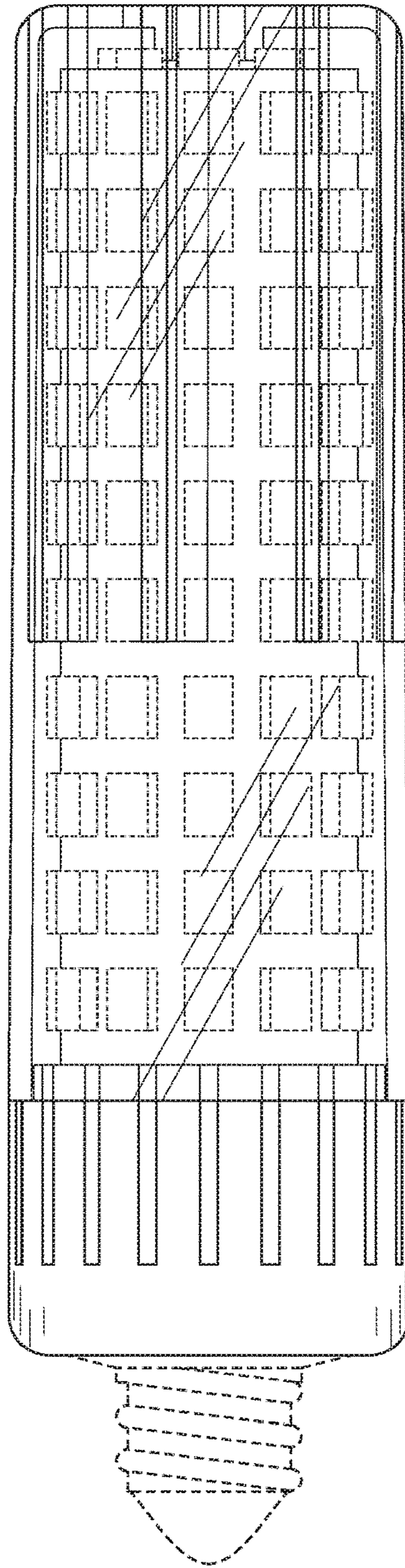


FIG. 1

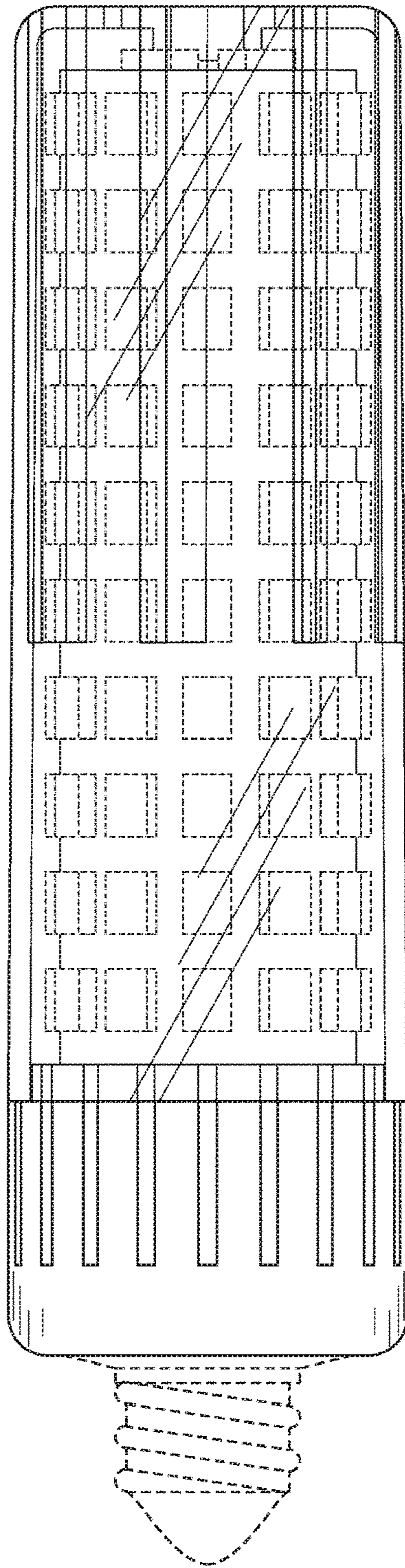


FIG. 2

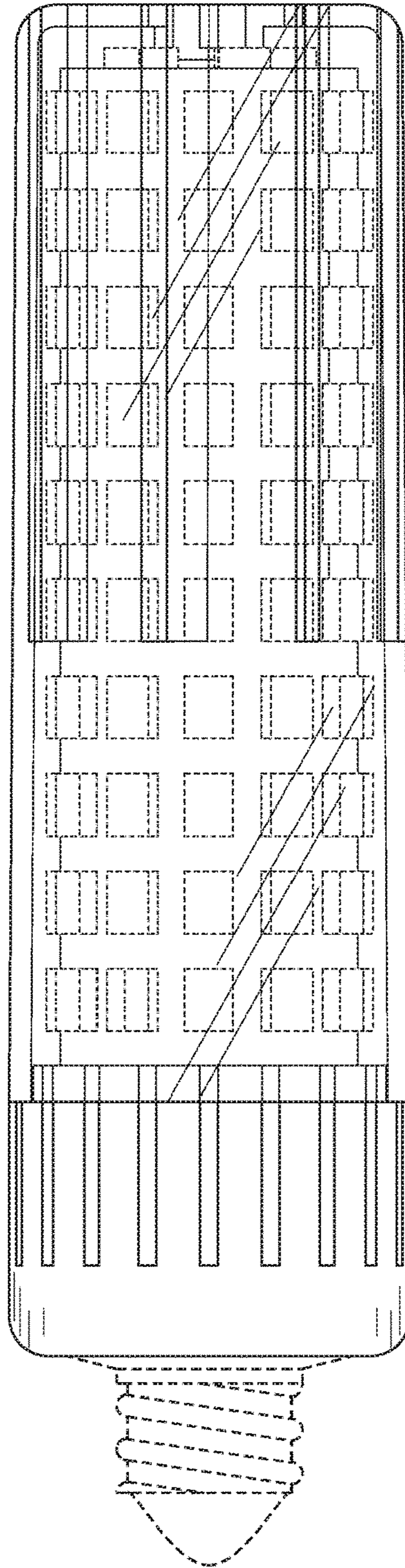


FIG. 3

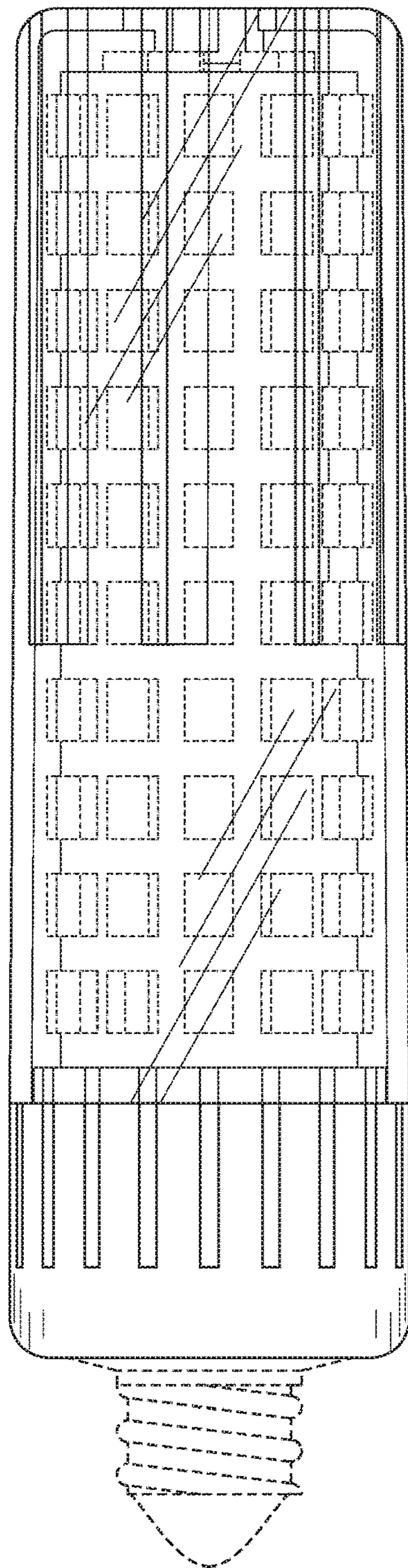


FIG. 4

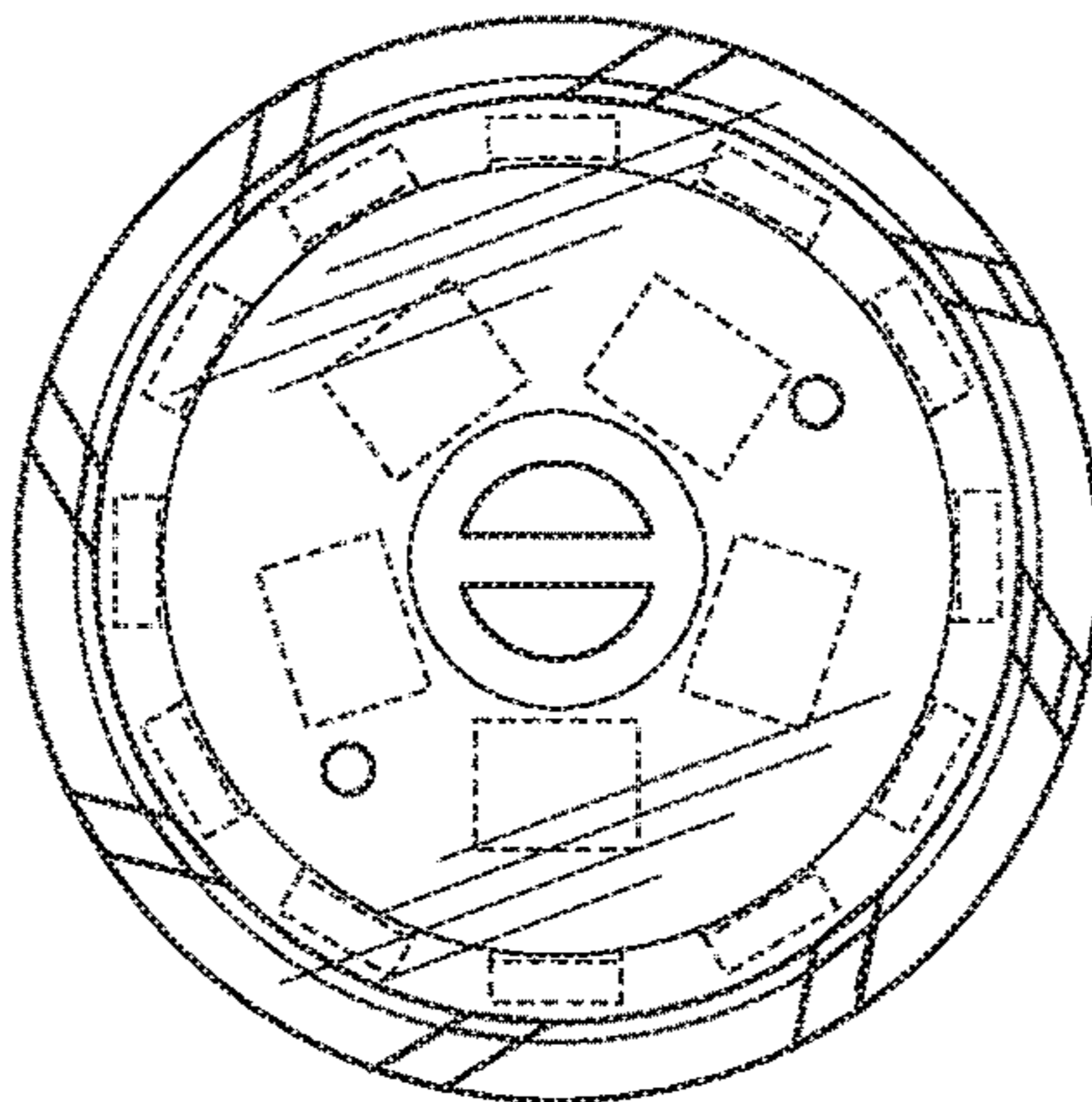


FIG. 5

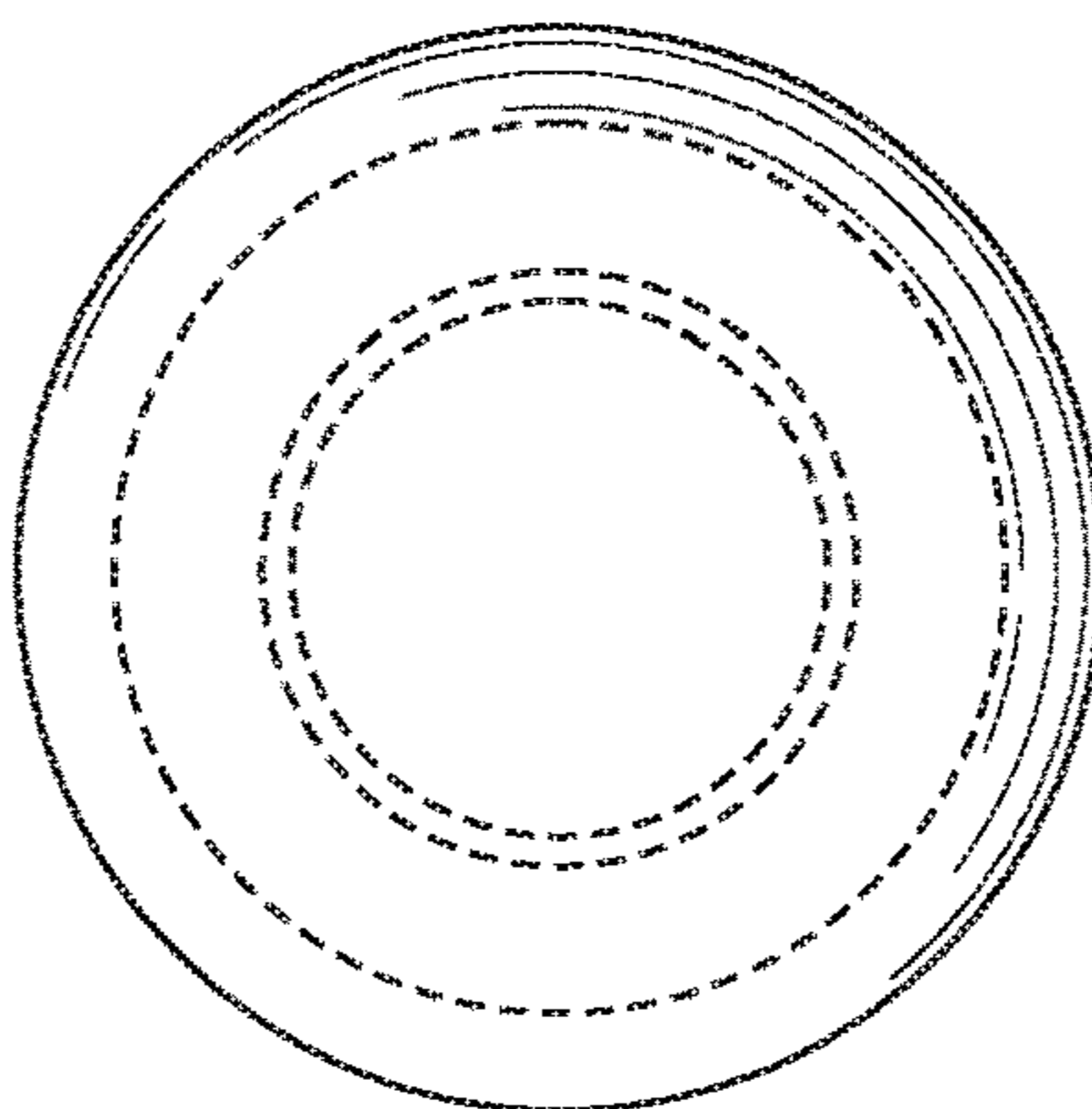


FIG. 6

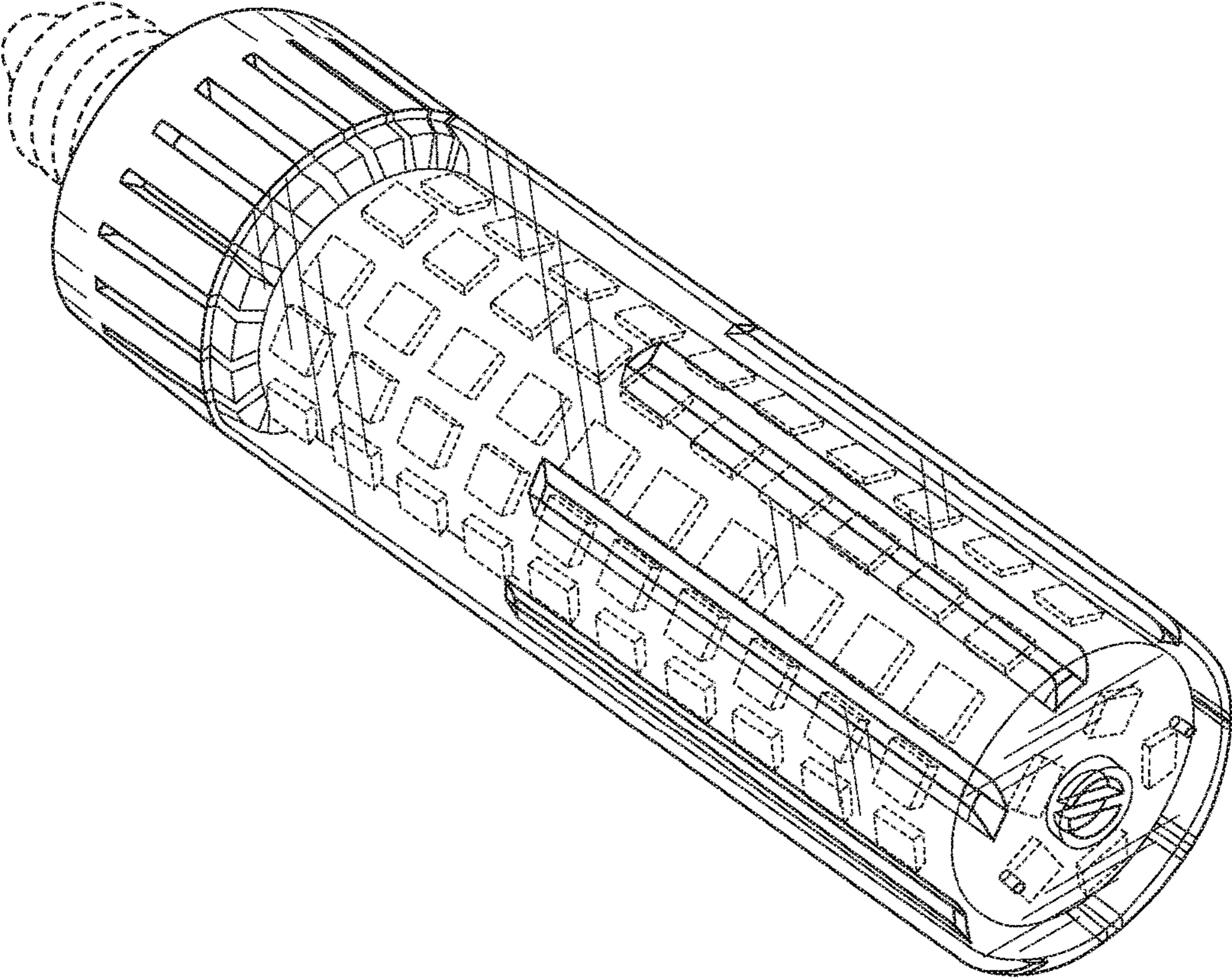


FIG. 7

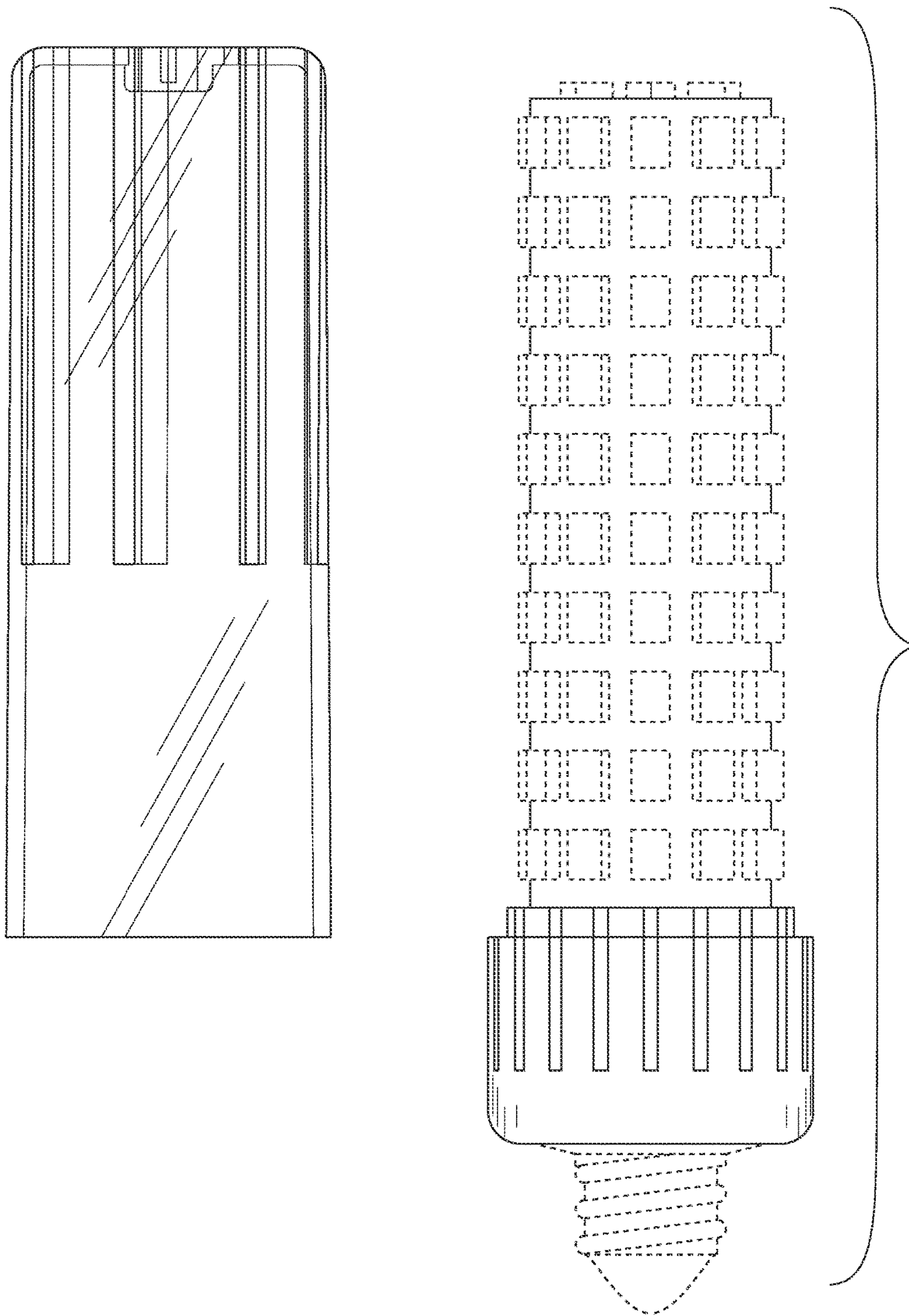


FIG. 8