



US00D828585S

(12) **United States Design Patent**  
**Murugan et al.**

(10) **Patent No.:** **US D828,585 S**

(45) **Date of Patent:** **\*\* Sep. 11, 2018**

(54) **BR40 LED LAMP**

D702,862 S \* 4/2014 Bukkems ..... D26/2  
D720,478 S \* 12/2014 Zeng ..... D26/2  
D722,710 S \* 2/2015 Cho ..... D26/2

(71) Applicants: **Thiru Murugan**, Wakefield, MA (US);  
**Ravidasa Hegde**, Andover, MA (US);  
**Joseph V. Calnan**, Lynn, MA (US)

\* cited by examiner

(72) Inventors: **Thiru Murugan**, Wakefield, MA (US);  
**Ravidasa Hegde**, Andover, MA (US);  
**Joseph V. Calnan**, Lynn, MA (US)

*Primary Examiner* — Marcus Jackson

(74) *Attorney, Agent, or Firm* — Andrew Martin

(73) Assignee: **LEDVANCE LLC**, Wilmington, MA (US)

(57) **CLAIM**

(\*\*) Term: **15 Years**

We claim the ornamental design for a BR40 LED lamp, as shown and described.

(21) Appl. No.: **29/611,359**

(22) Filed: **Jul. 20, 2017**

**DESCRIPTION**

(51) **LOC (11) Cl.** ..... **26-04**

(52) **U.S. Cl.**  
USPC ..... **D26/2**

(58) **Field of Classification Search**  
USPC ..... D26/1-4; 313/313, 315, 316, 317, 318,  
313/493; 315/52, 53, 56, 57, 58  
CPC ..... H01R 5/00; H01R 13/46; H01R 13/514;  
H01R 31/048; H01R 31/02; H01J 5/00;  
H01J 5/16; H01J 15/00; H01J 5/48; H01J  
5/50; H01J 19/54; F21V 5/00  
See application file for complete search history.

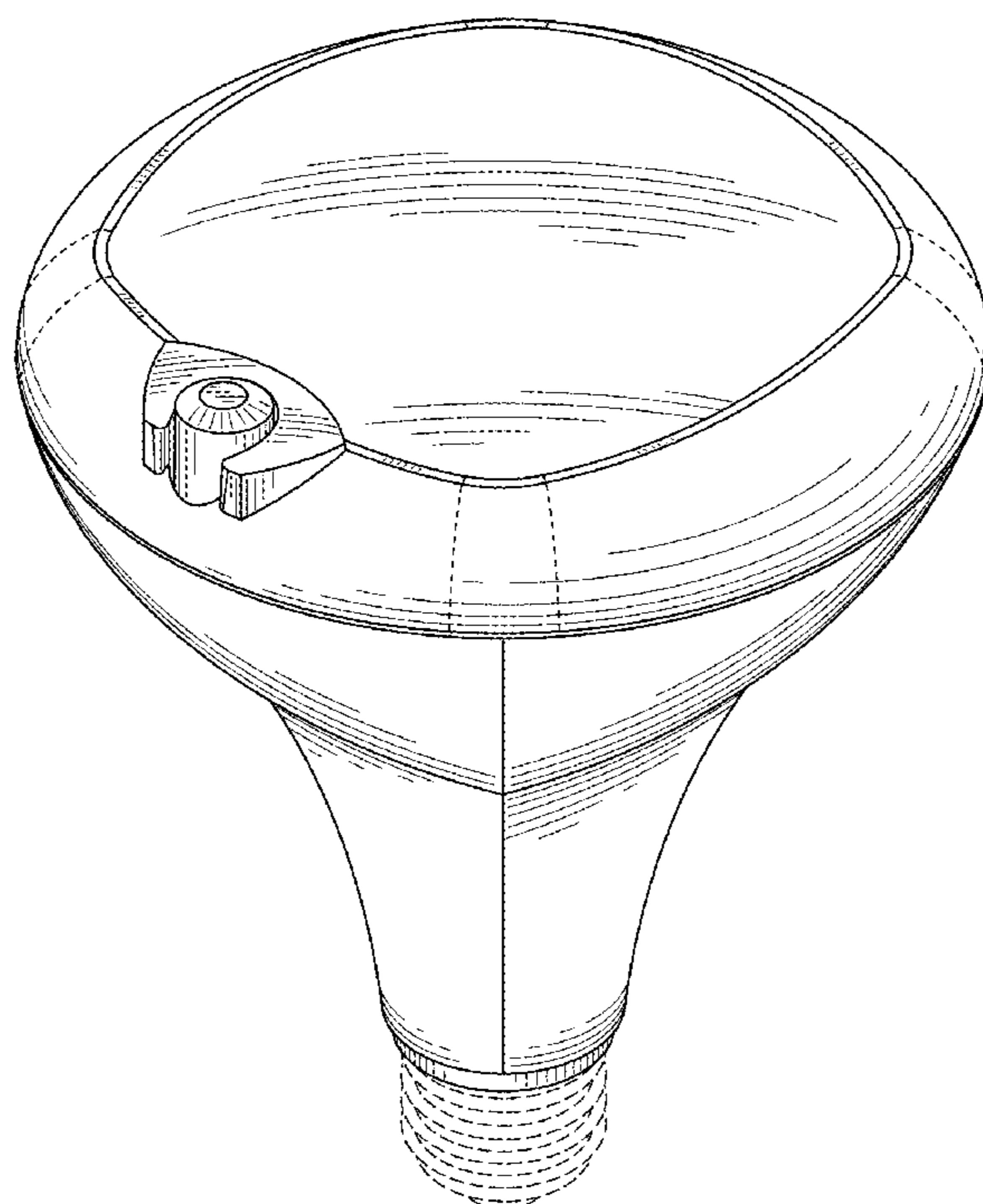
FIG. 1 is a front elevation view of a BR40 LED lamp showing the new design;  
FIG. 2 is a right side elevation view of the BR40 LED lamp thereof;  
FIG. 3 is a left side elevation view of the BR40 LED lamp thereof;  
FIG. 4 is a rear elevation view of the BR40 LED lamp thereof;  
FIG. 5 is a top plan view of the BR40 LED lamp thereof;  
FIG. 6 is a bottom view of the BR40 LED lamp thereof; and,  
FIG. 7 is a perspective view of the BR40 LED lamp thereof.  
The broken lines in the figures represent unclaimed portions of the BR40 LED lamp and form no part of the claimed design.

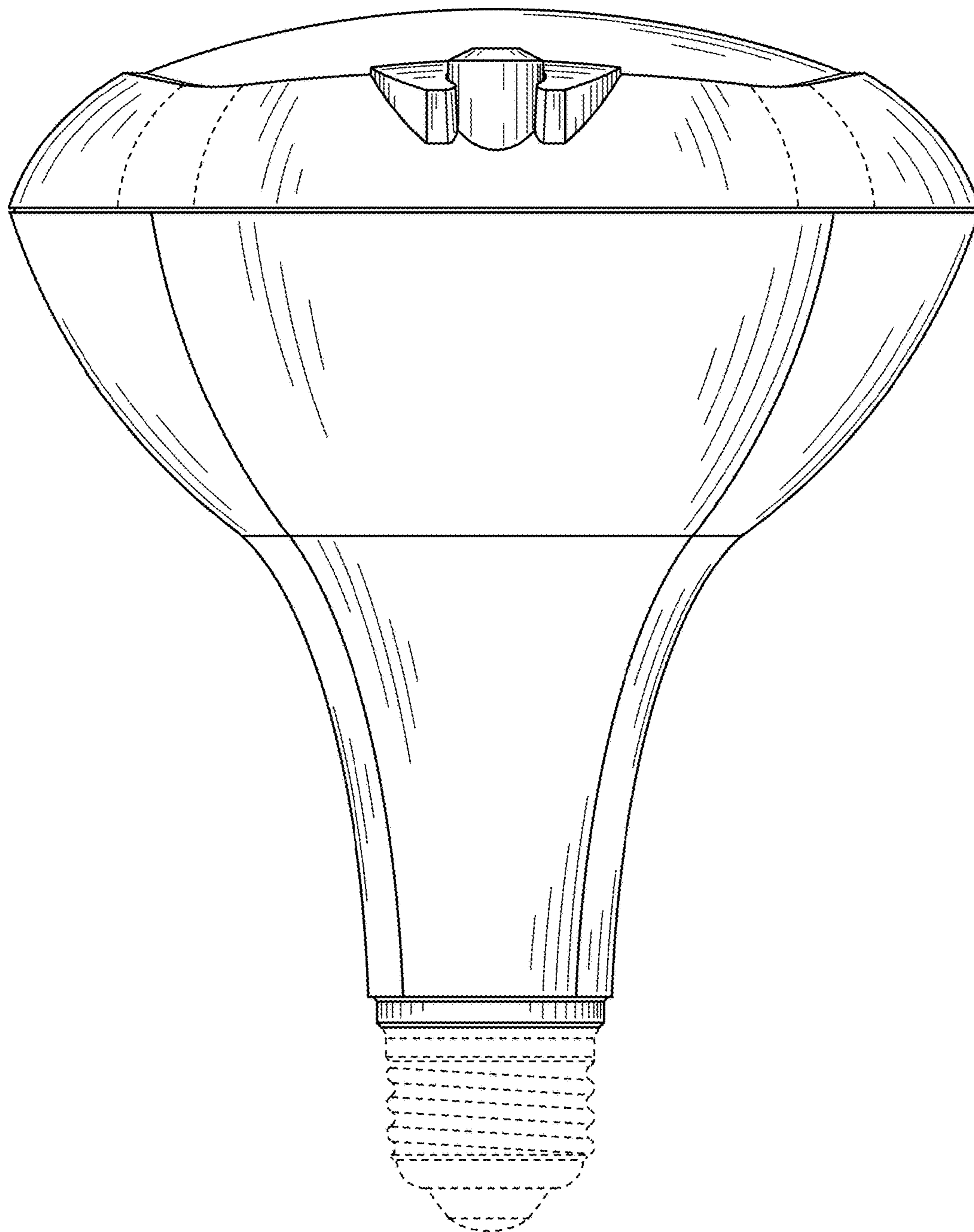
(56) **References Cited**

U.S. PATENT DOCUMENTS

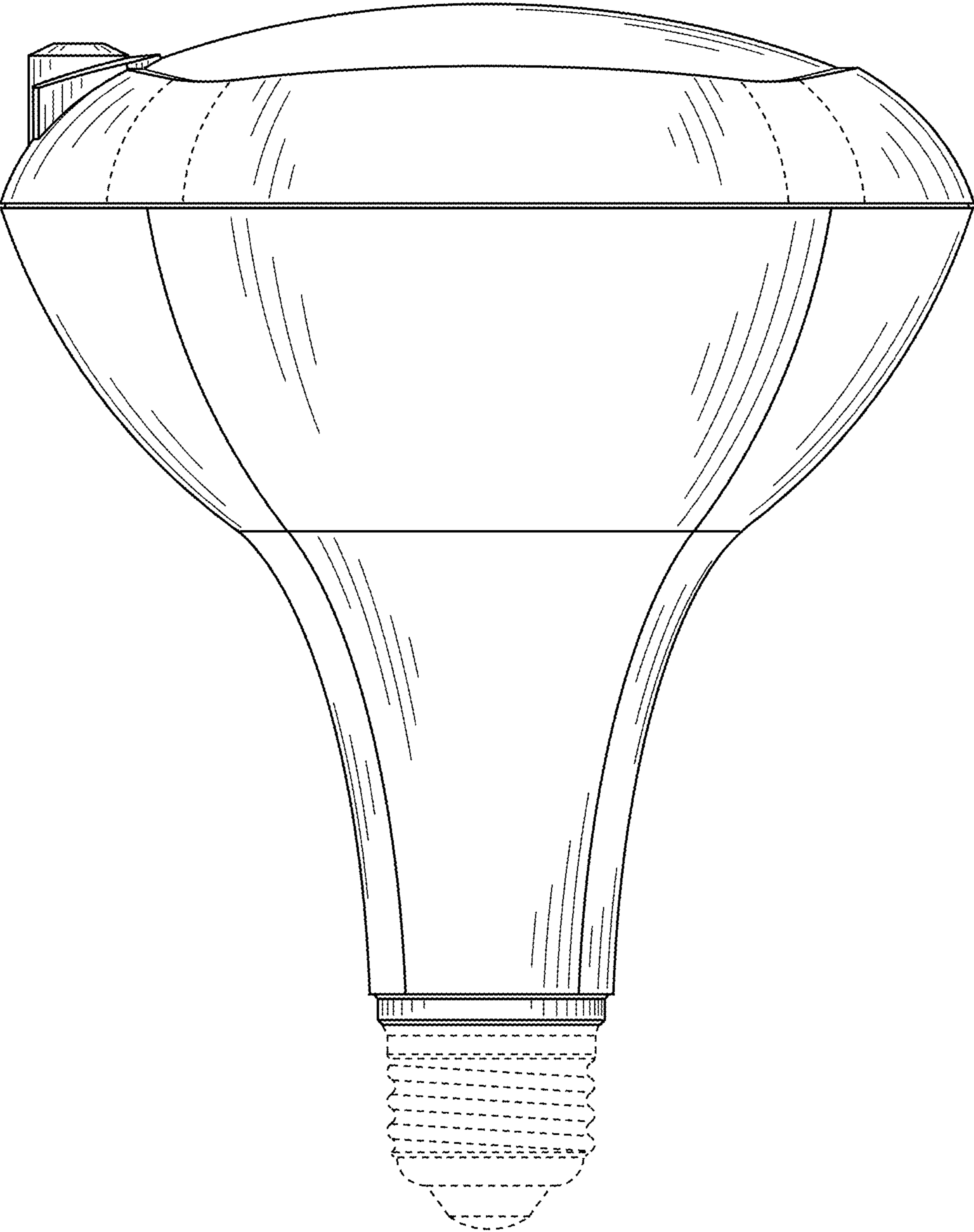
D553,266 S \* 10/2007 Maxik ..... D26/2  
D660,469 S \* 5/2012 Mase ..... D26/2

**1 Claim, 7 Drawing Sheets**

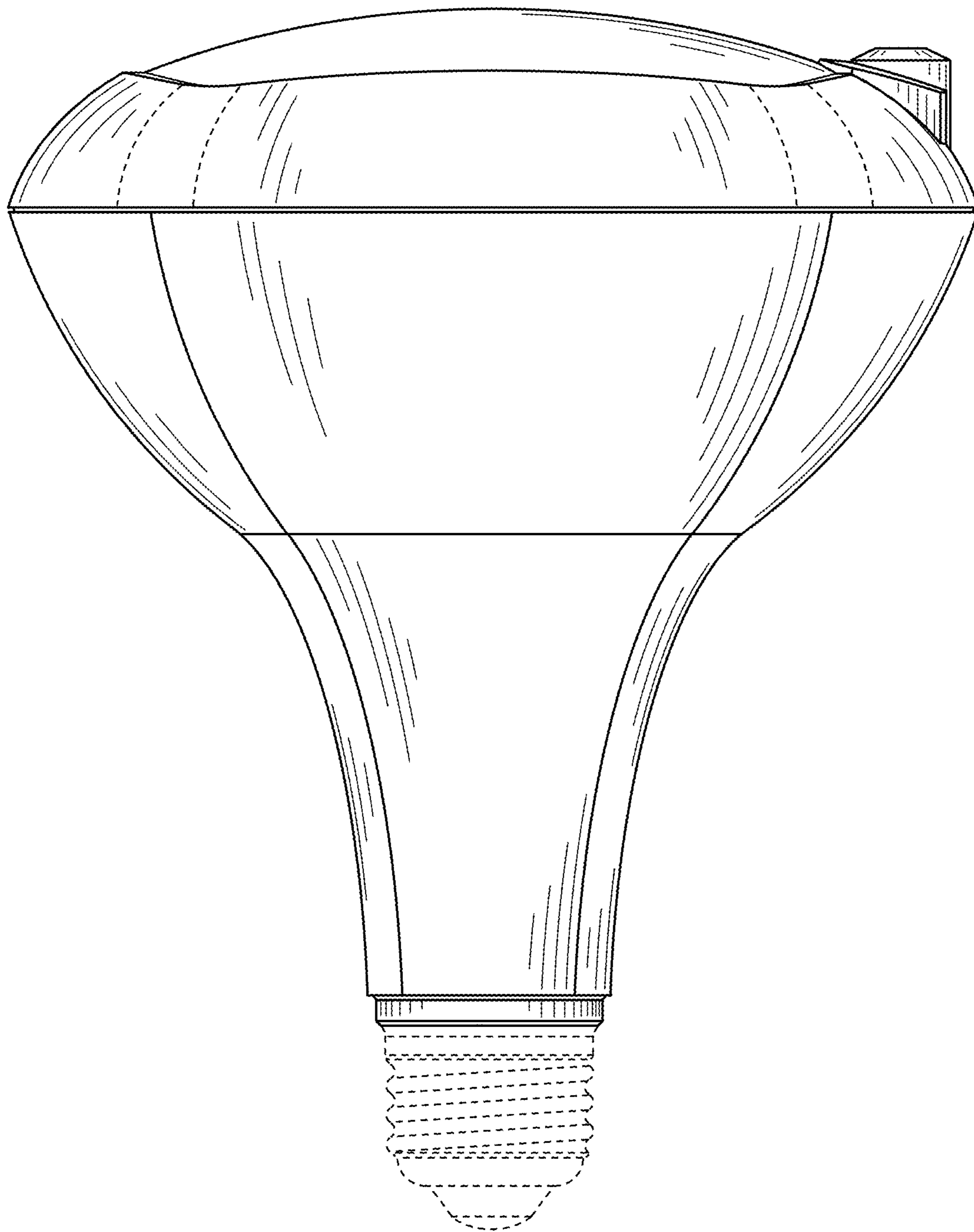




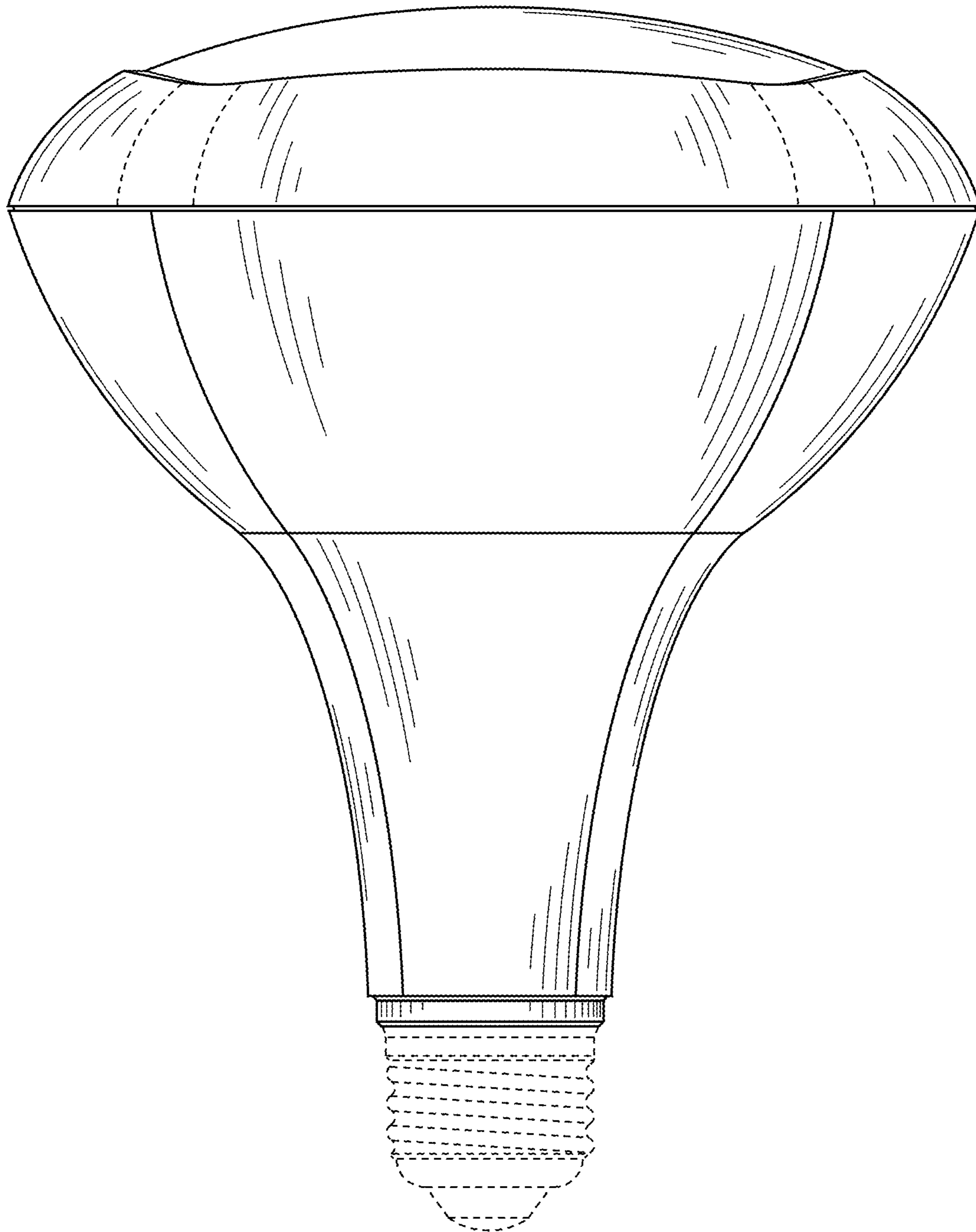
**Fig. 1**



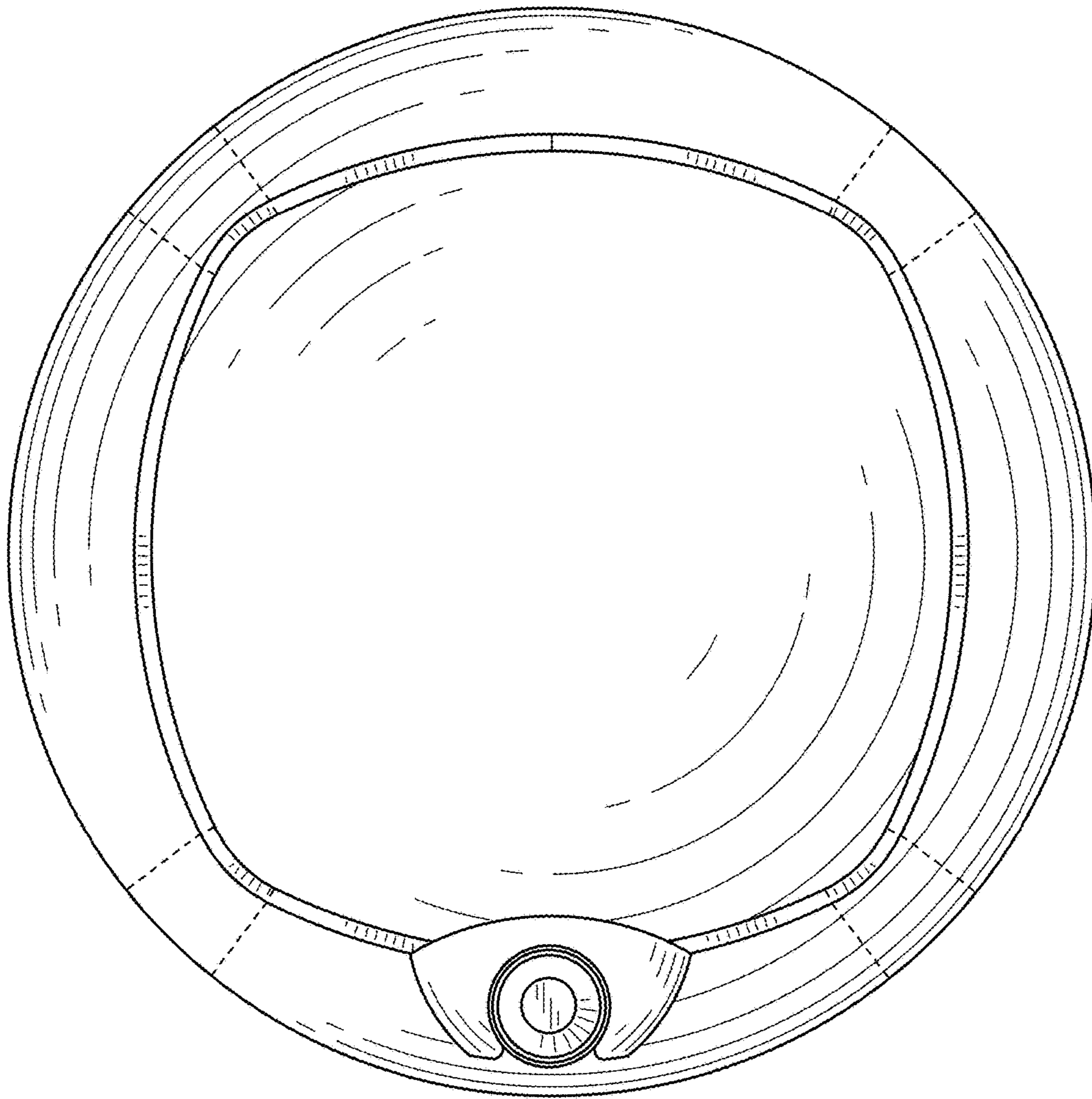
**Fig. 2**



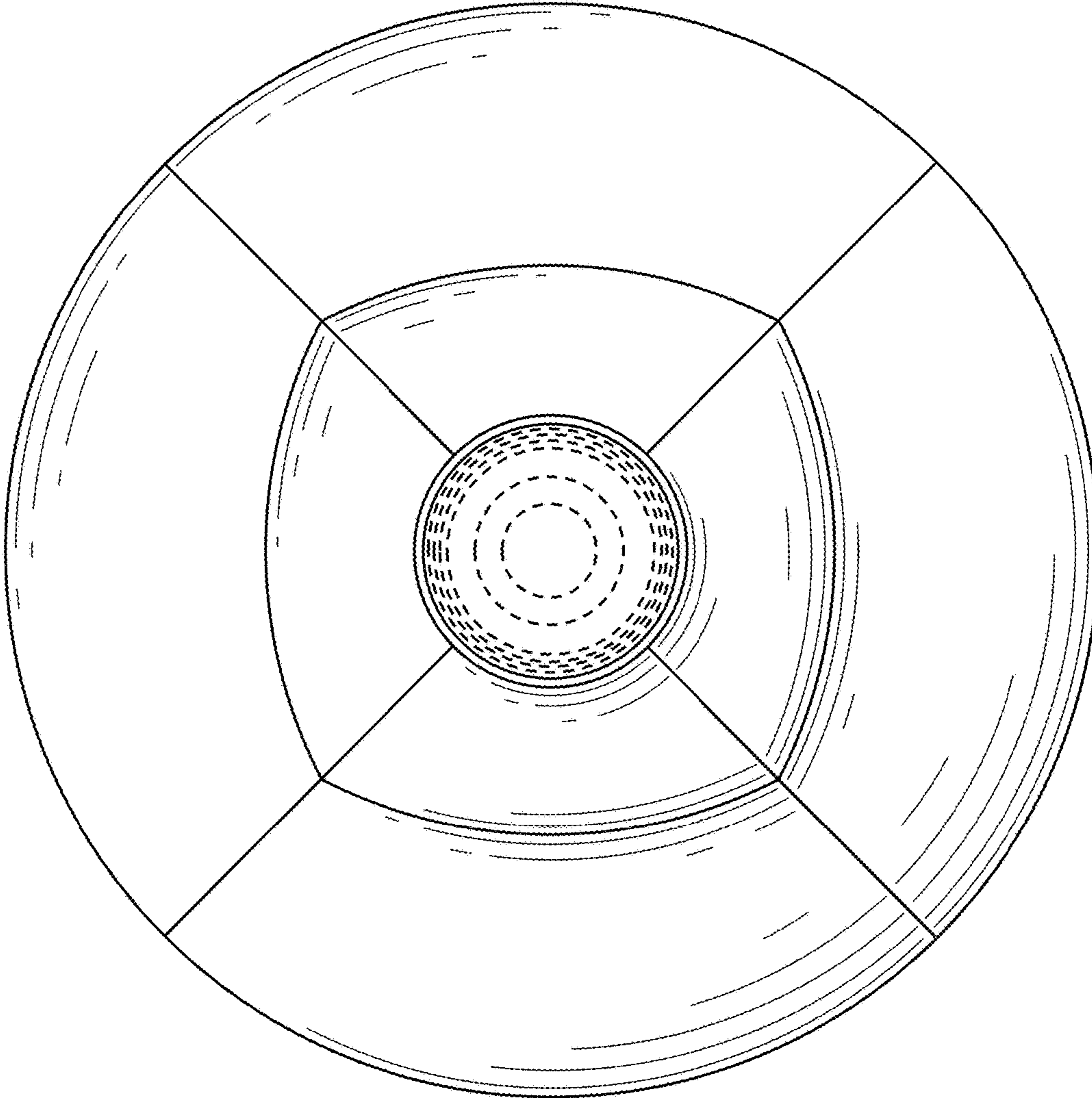
**Fig. 3**



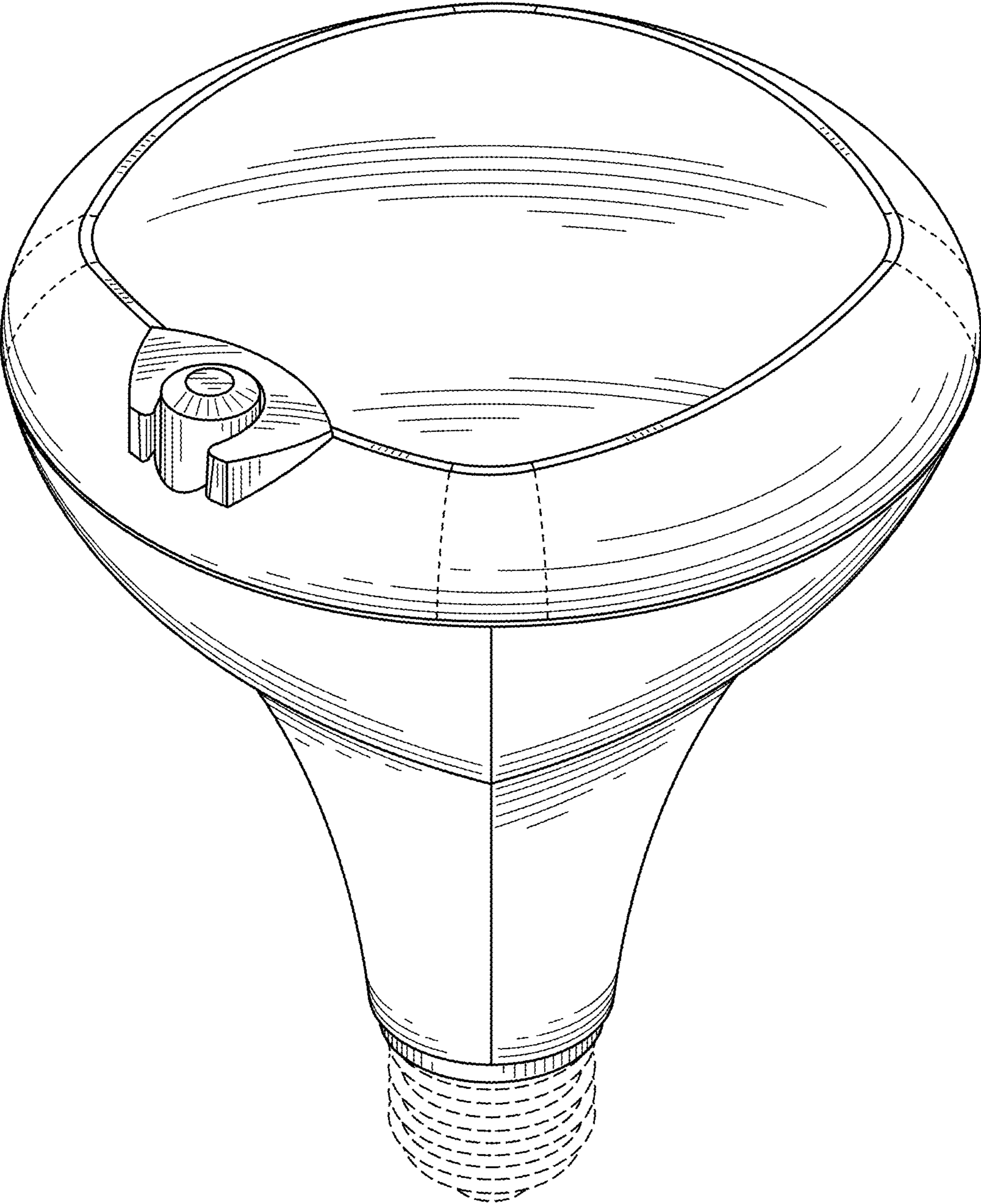
**Fig. 4**



**Fig. 5**



**Fig. 6**



**Fig. 7**