



US00D828584S

(12) **United States Design Patent** (10) **Patent No.:** **US D828,584 S**
Yu et al. (45) **Date of Patent:** **** Sep. 11, 2018**

(54) **EXPLOSION-PROOF LAMP**

(56) **References Cited**

(71) Applicant: **Shanghai Qinsun Electric Co., Ltd.**,
Shanghai (CN)

U.S. PATENT DOCUMENTS

(72) Inventors: **Xiyou Yu**, Shanghai (CN); **Qiuping Huang**, Shanghai (CN); **Xiuzhang Li**,
Shanghai (CN); **Shuai Zhuo**, Shanghai
(CN)

D553,266	S	*	10/2007	Maxik	D26/2
D566,300	S	*	4/2008	Lo	D26/2
D584,838	S	*	1/2009	To	D26/2
D646,802	S	*	10/2011	Guohui	D26/2
D695,426	S	*	12/2013	Tu	D26/2

(73) Assignee: **SHANGHAI QINSUN ELECTRIC CO., LTD.**, Shanghai (CN)

FOREIGN PATENT DOCUMENTS

CN	303998757	S	1/2017
CN	206036697	U	3/2017
CN	206036820	U	3/2017

(**) Term: **15 Years**

* cited by examiner

(21) Appl. No.: **29/599,946**

Primary Examiner — Marcus Jackson

(22) Filed: **Apr. 7, 2017**

(74) *Attorney, Agent, or Firm* — Ware, Fressola, Maguire & Barber LLP

(30) **Foreign Application Priority Data**

(57) **CLAIM**

Nov. 30, 2016 (CN) 2016 3 0585130

The ornamental design for an explosion-proof lamp, as shown and described.

(51) **LOC (11) Cl.** **26-04**

DESCRIPTION

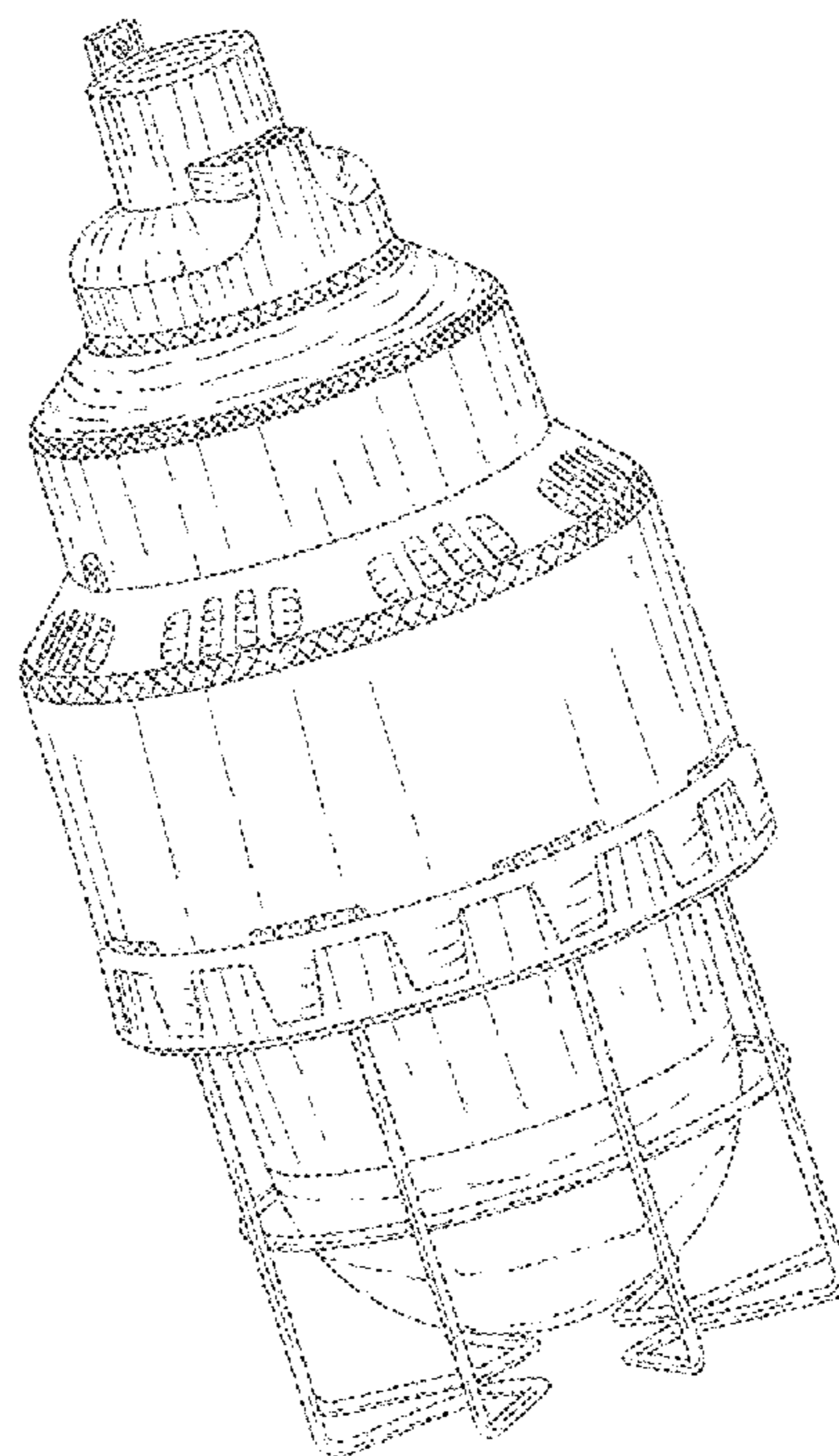
(52) **U.S. Cl.**
USPC **D26/2**

(58) **Field of Classification Search**
USPC D26/1-4; 313/313, 315, 316, 317, 318,
313/493; 315/52, 53, 56, 57, 58
CPC H01R 5/00; H01R 13/46; H01R 13/514;
H01R 31/048; H01R 31/02; H01J 5/00;
H01J 5/16; H01J 15/00; H01J 5/48; H01J
5/50; H01J 19/54; F21V 5/00

FIG. 1 is a front view of an explosion-proof lamp showing our new design;
FIG. 2 is a back view thereof;
FIG. 3 is a right side view thereof;
FIG. 4 is a left side view thereof;
FIG. 5 is a perspective view thereof;
FIG. 6 is a bottom plan view thereof; and,
FIG. 7 is a top plan view thereof.

See application file for complete search history.

1 Claim, 7 Drawing Sheets



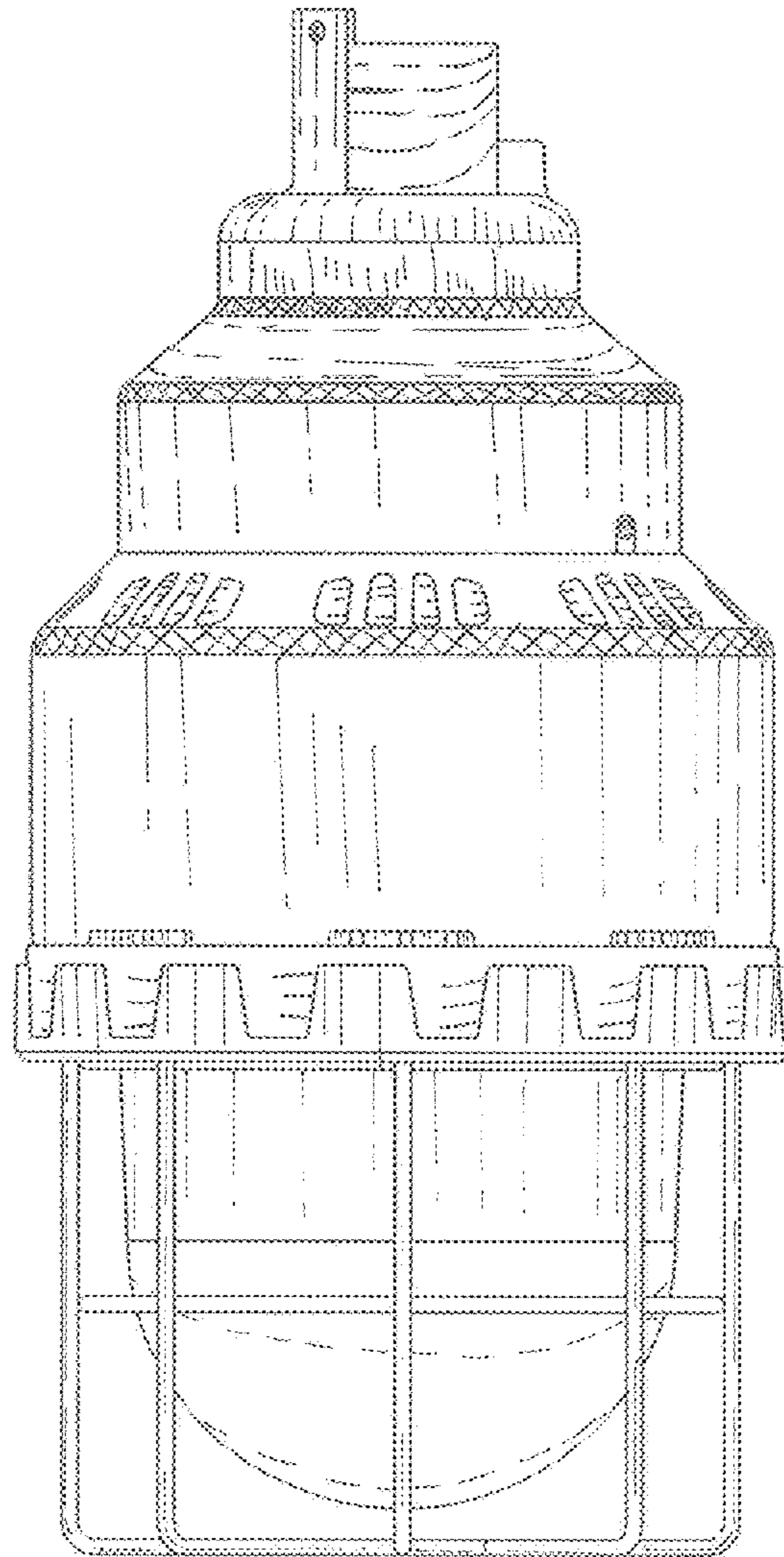


FIG. 1

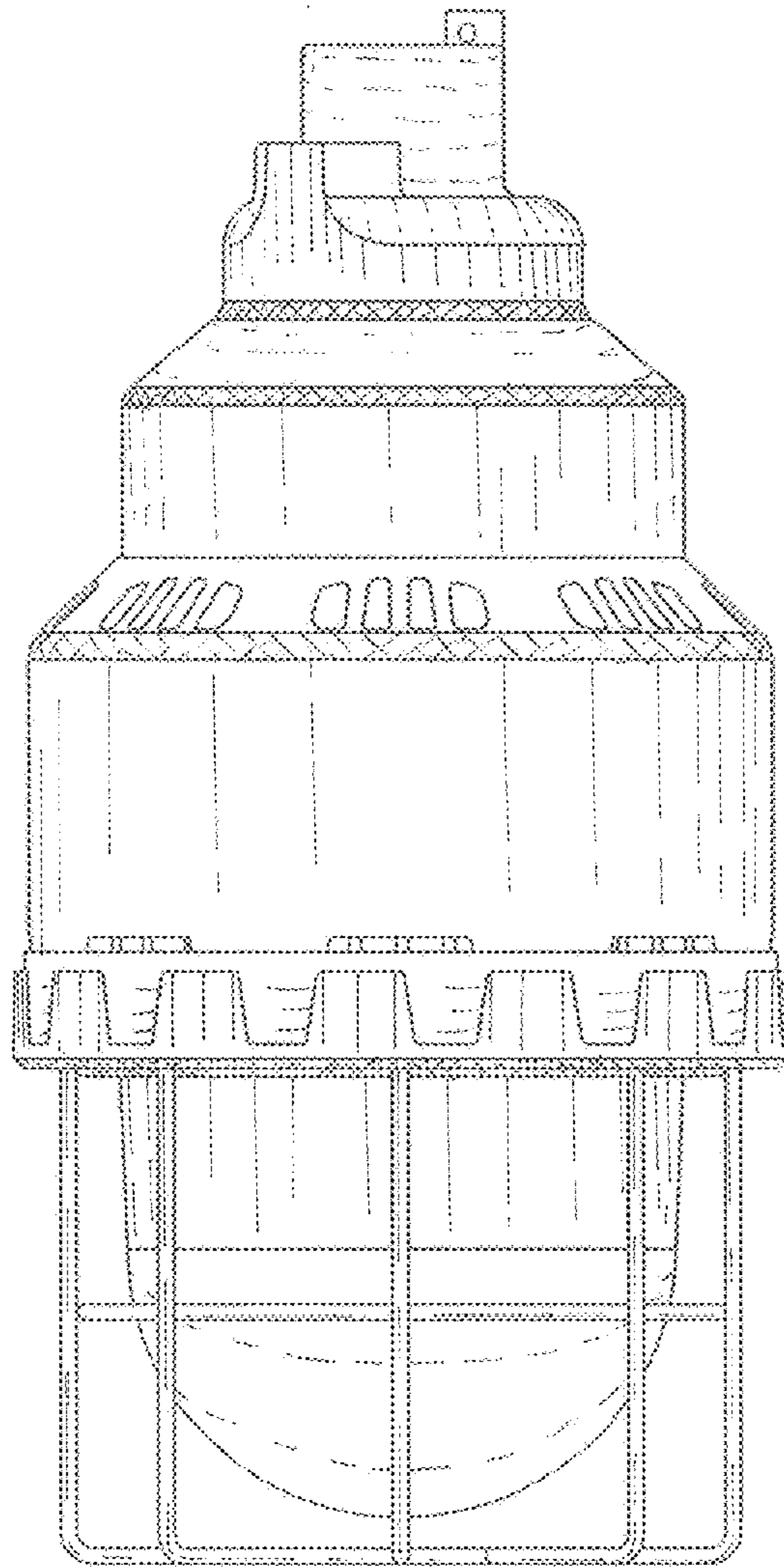


FIG. 2

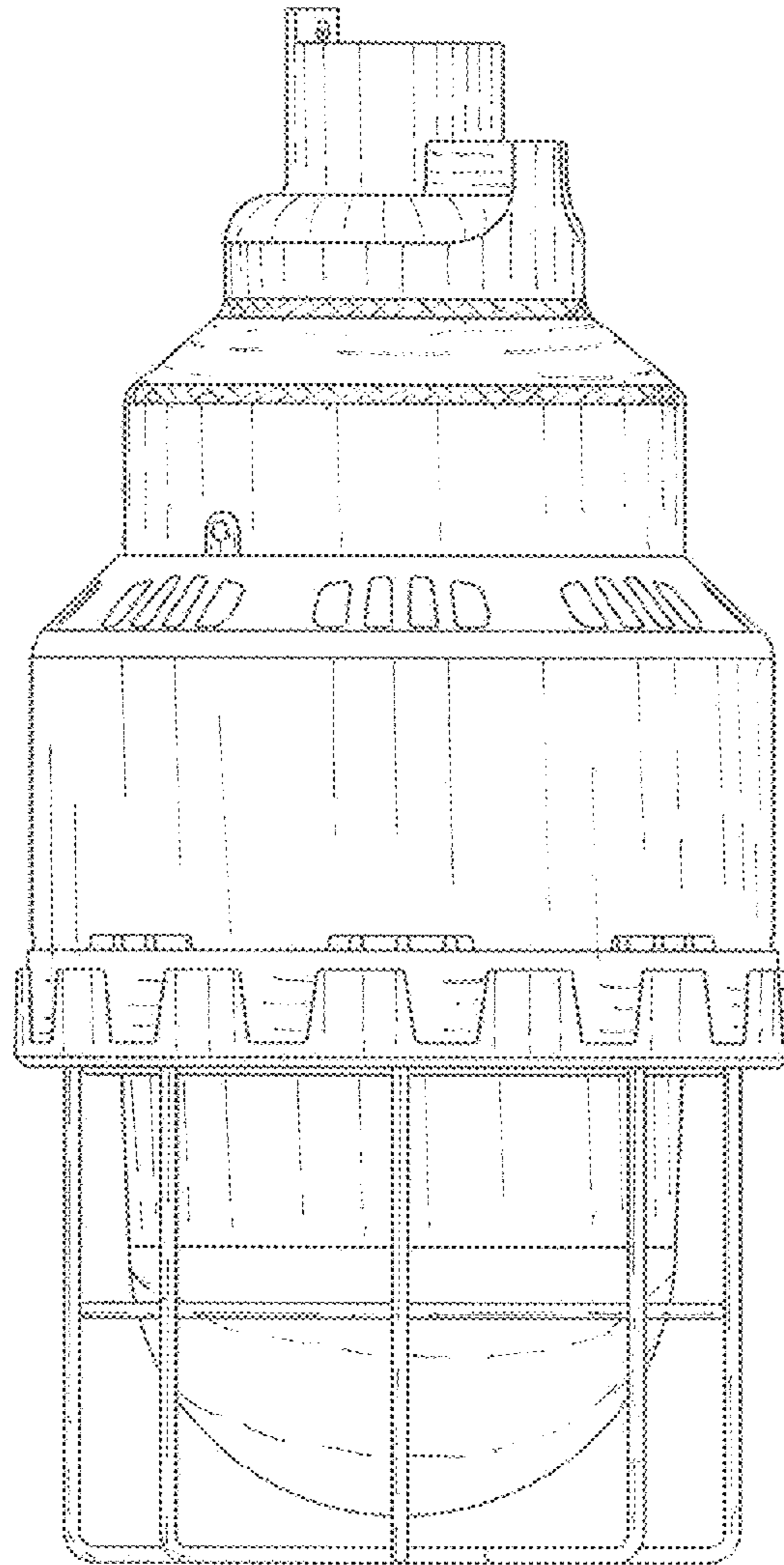


FIG. 3

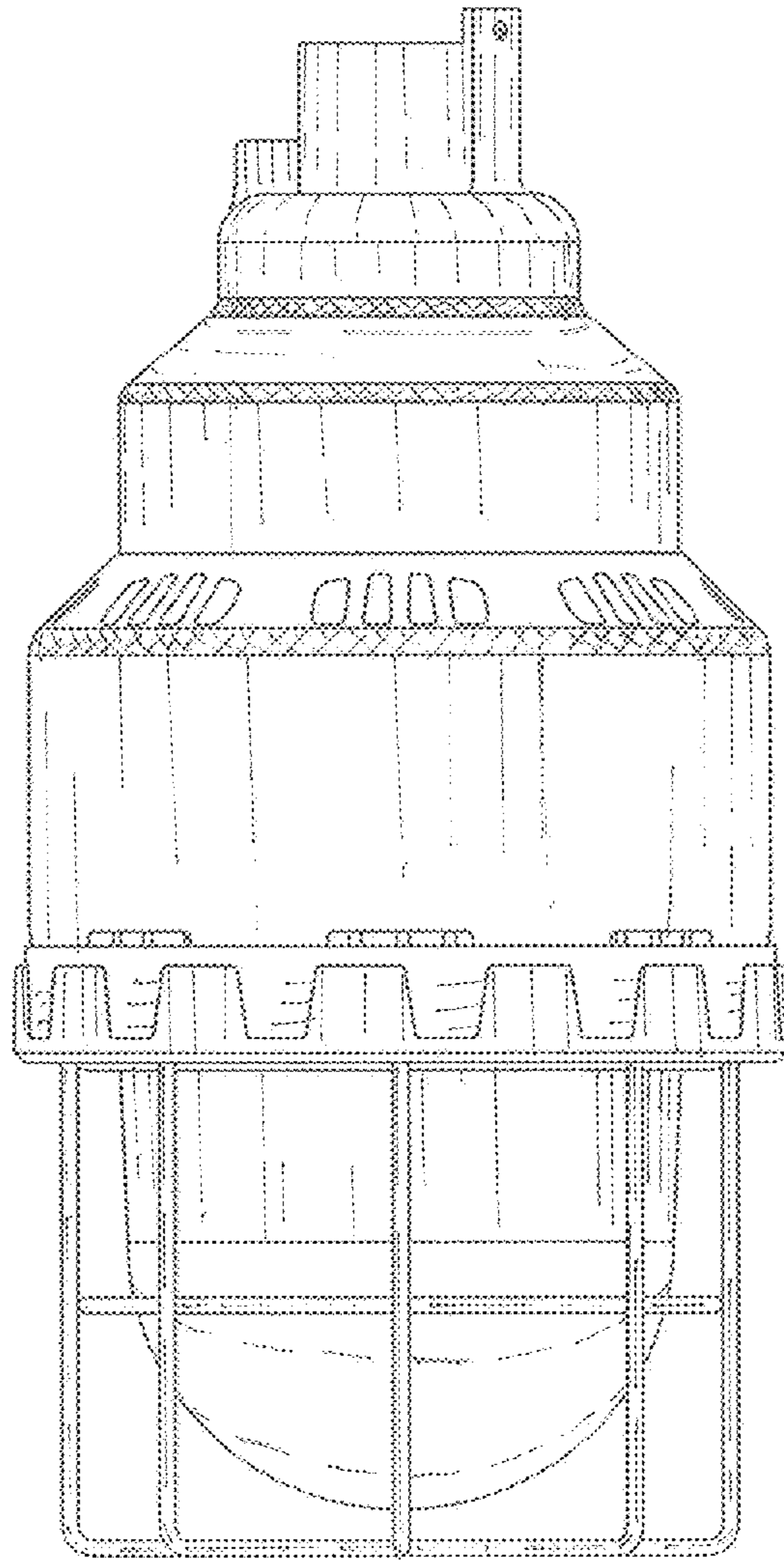


FIG. 4

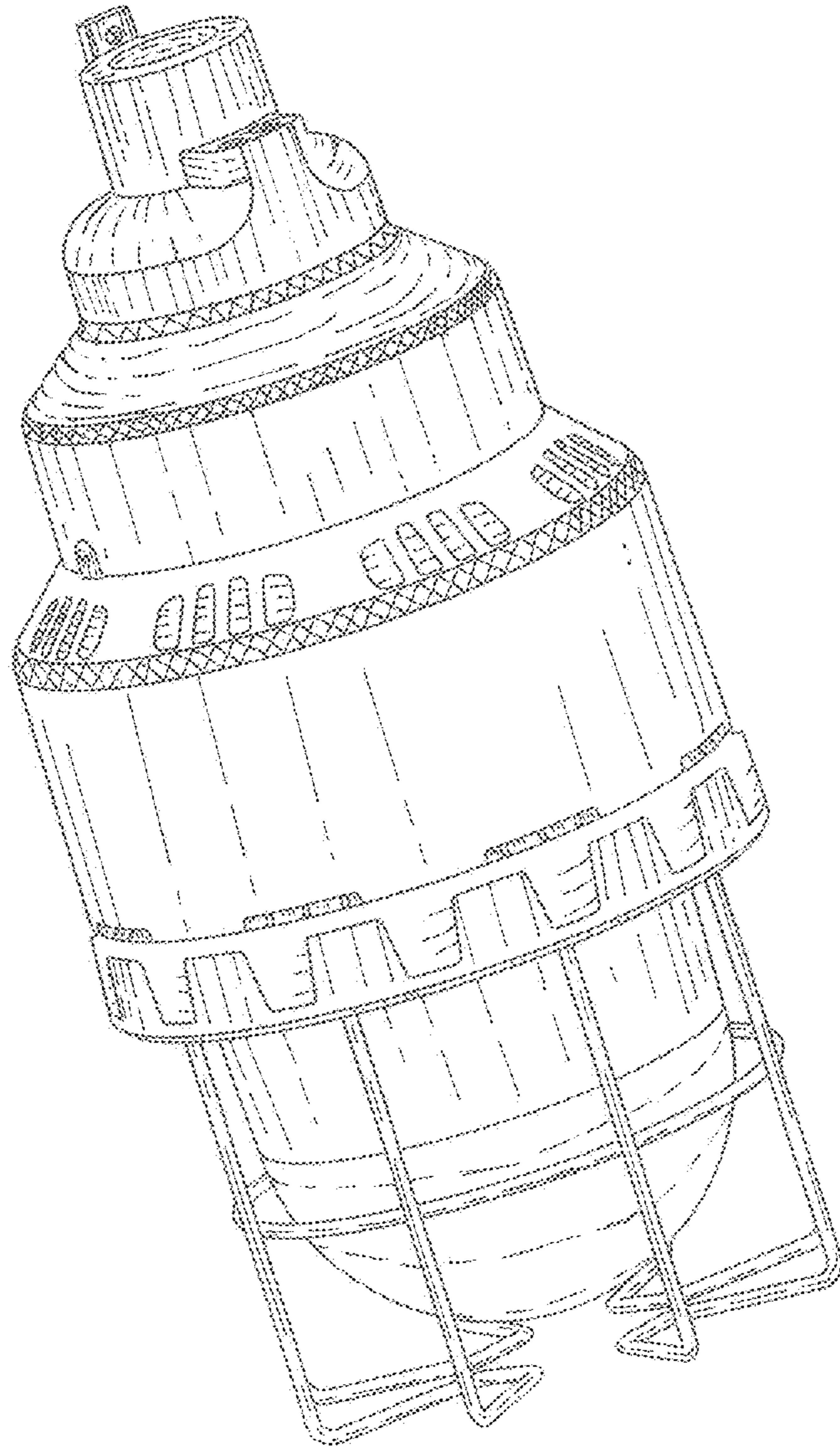


FIG. 5

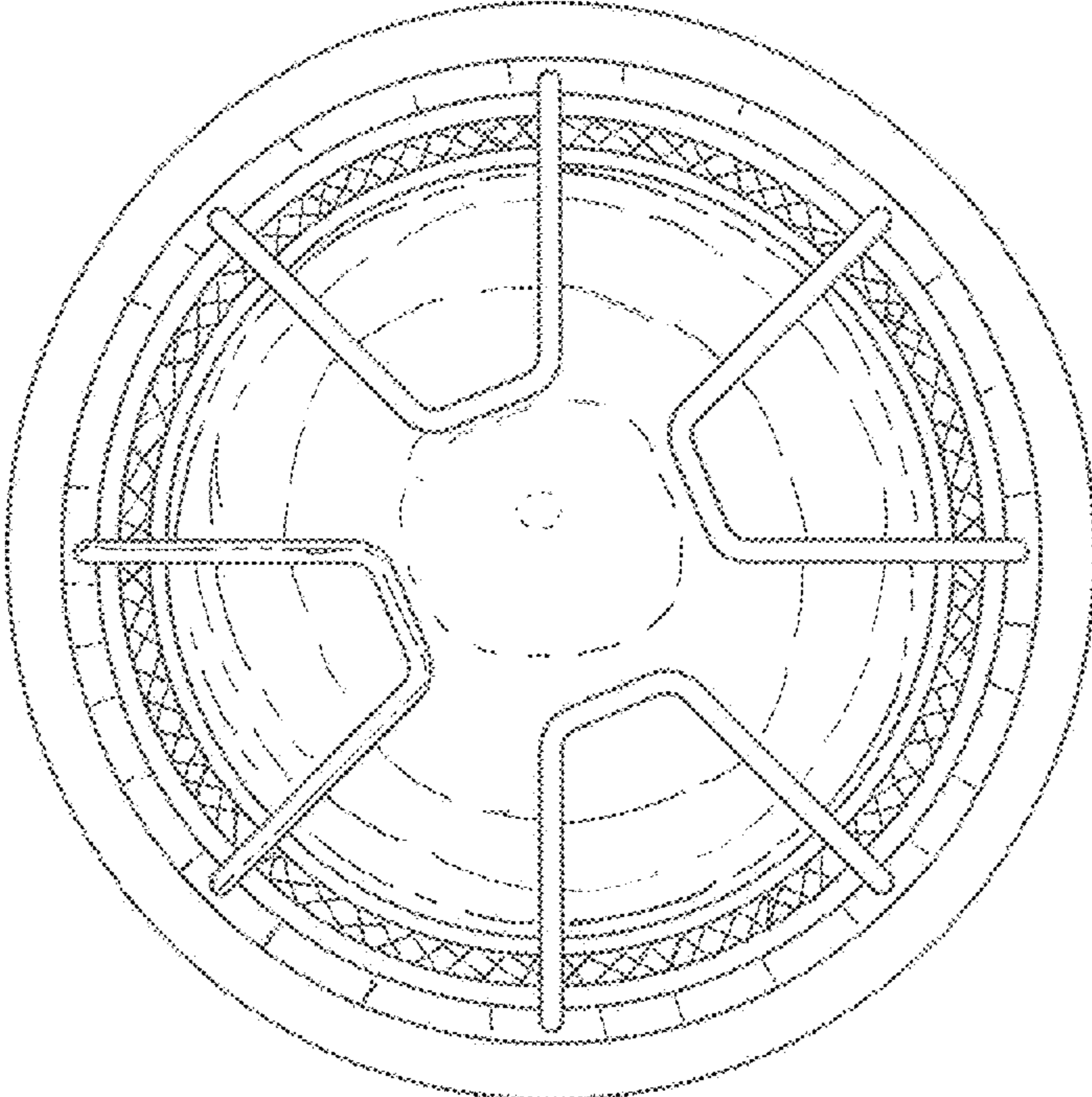


FIG. 6

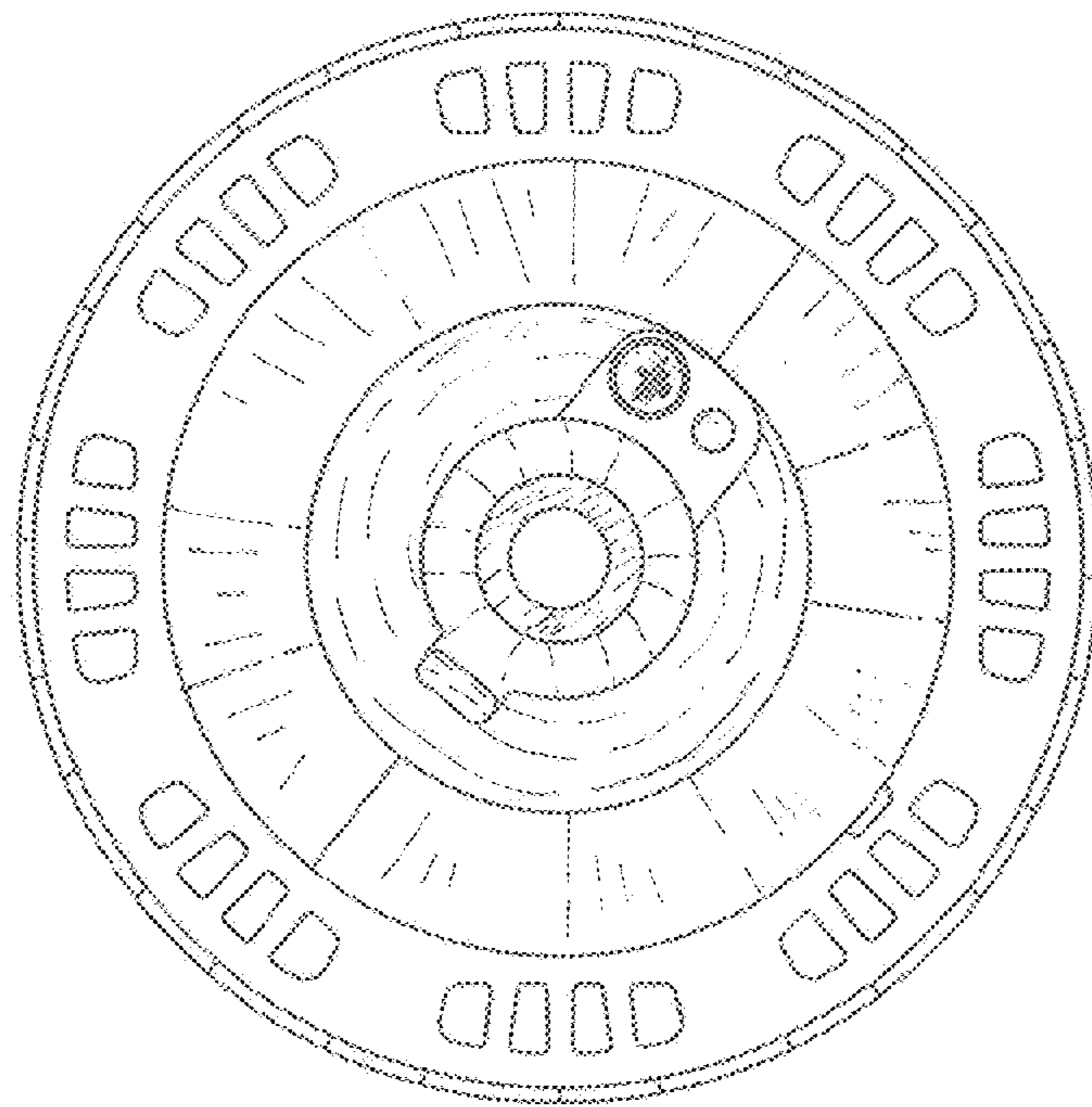


FIG. 7