



US00D828583S

(12) **United States Design Patent** (10) **Patent No.:** **US D828,583 S**
Cai et al. (45) **Date of Patent:** **** Sep. 11, 2018**

(54) **LED LAMP**

Primary Examiner — Marcus Jackson

(71) Applicant: **Eye Lighting International of North America, Inc.**, Mentor, OH (US)

(74) *Attorney, Agent, or Firm* — Dwight A. Stauffer
Patent Services

(72) Inventors: **Dengke Cai**, Willoughby, OH (US);
Paul J. Jurkovic, Painesville, OH (US)

(57) **CLAIM**

The ornamental design for an LED lamp, as shown and described.

(73) Assignee: **Eye Lighting International of North America, Inc.**, Mentor, OH (US)

DESCRIPTION

(**) Term: **15 Years**

FIG. 1 is a perspective view of a first embodiment of an LED lamp showing our new design;

(21) Appl. No.: **29/576,319**

FIG. 2 is a perspective view of a second embodiment of the LED lamp;

(22) Filed: **Sep. 1, 2016**

FIG. 3 is a perspective view of a third embodiment of the LED lamp;

(51) **LOC (11) Cl.** **26-04**

FIG. 4 is a top plan view of the third embodiment, and the claimed portions shown in this view are identical to those of the first and second embodiments;

(52) **U.S. Cl.**

USPC **D26/2**

FIG. 5 is a bottom plan view of the third embodiment, and the claimed portions shown in this view are identical to those of the first and second embodiments;

(58) **Field of Classification Search**

USPC D26/1-4; 313/313, 315, 316, 317, 318,
313/493; 315/52, 53, 56, 57, 58

FIG. 6 is a front side elevational view of the third embodiment, wherein the front side is at the bottom of the FIG. 4 view, and the claimed portions shown in this view are identical to those of the first and second embodiments except for differences in size;

CPC H01R 5/00; H01R 13/46; H01R 13/514;
H01R 31/048; H01R 31/02; H01J 5/00;
H01J 5/16; H01J 15/00; H01J 5/48; H01J
5/50; H01J 19/54; F21V 5/00

FIG. 7 is a back side elevational view of the third embodiment, and the claimed portions shown in this view are identical to those of the first and second embodiments except for differences in size;

See application file for complete search history.

FIG. 8 is a left side elevational view of the third embodiment, and the claimed portions shown in this view are identical to those of the first and second embodiments except for differences in size; and,

(56) **References Cited**

U.S. PATENT DOCUMENTS

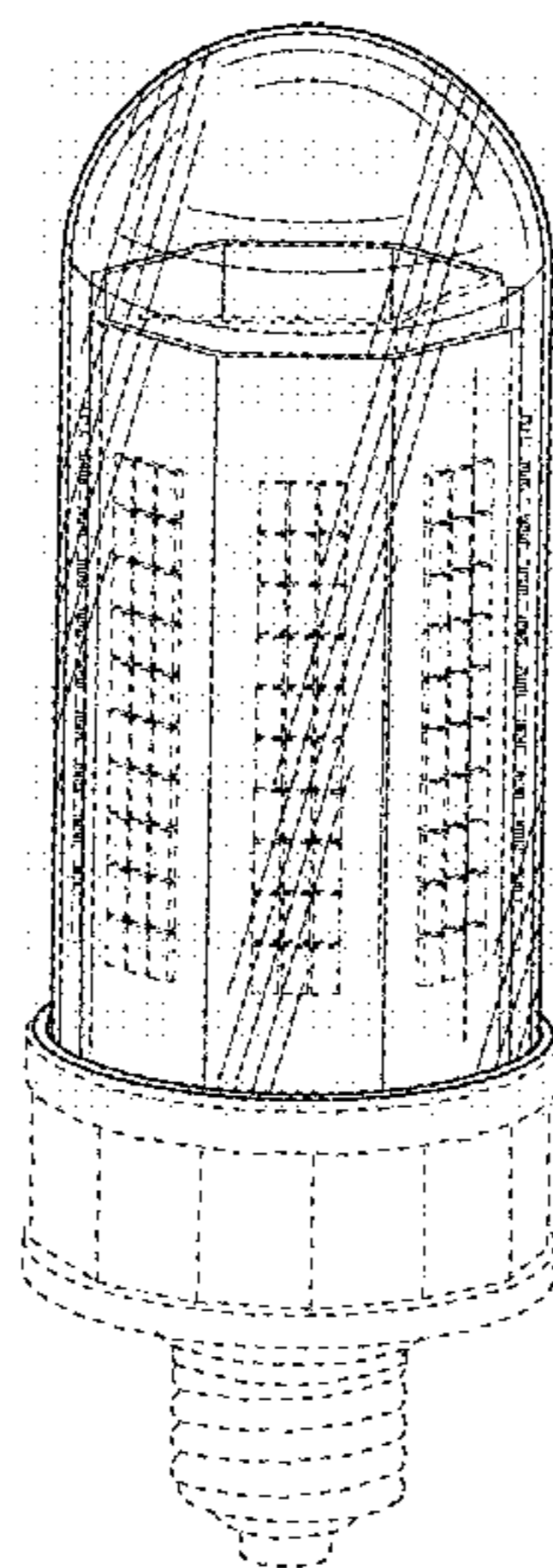
D574,091 S *	7/2008	Sun	D26/2
D631,567 S *	1/2011	Lodhie	D26/2
D669,200 S *	10/2012	Chen	D26/2
D739,967 S *	9/2015	Qin	D26/2
D739,968 S *	9/2015	Qin	D26/2
D739,969 S *	9/2015	Qin	D26/2

FIG. 9 is a right side elevational view of the third embodiment, and the claimed portions shown in this view are identical to those of the first and second embodiments except for differences in size.

The broken line showing of certain portions of the LED lamp is included for the purpose of illustrating only and forms no part of the claimed design.

* cited by examiner

1 Claim, 4 Drawing Sheets



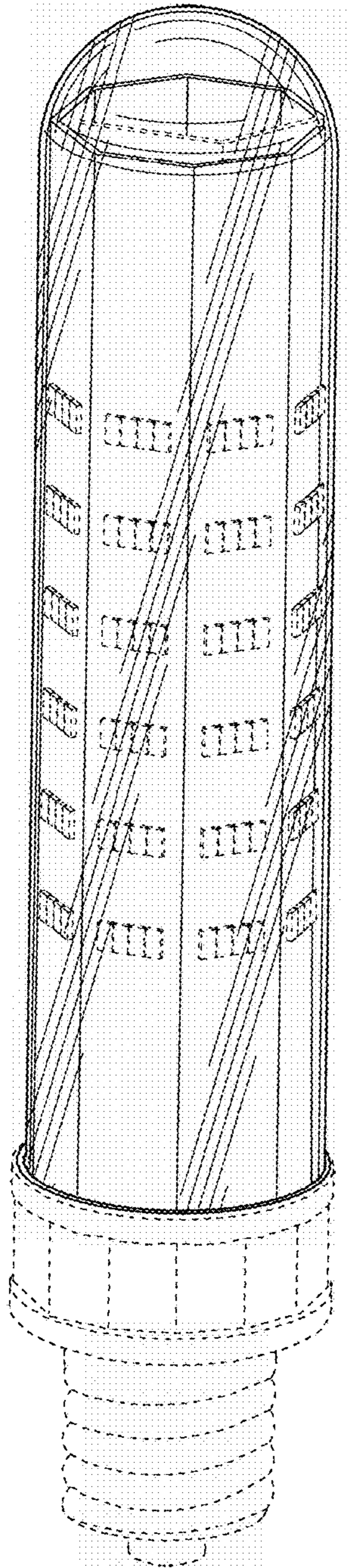


FIG. 1

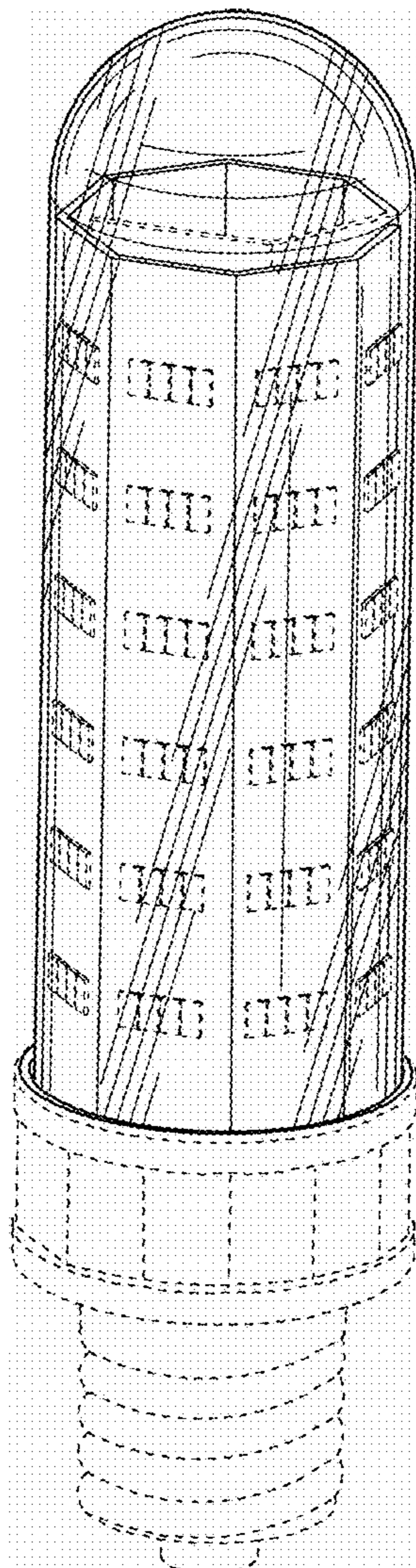


FIG. 2

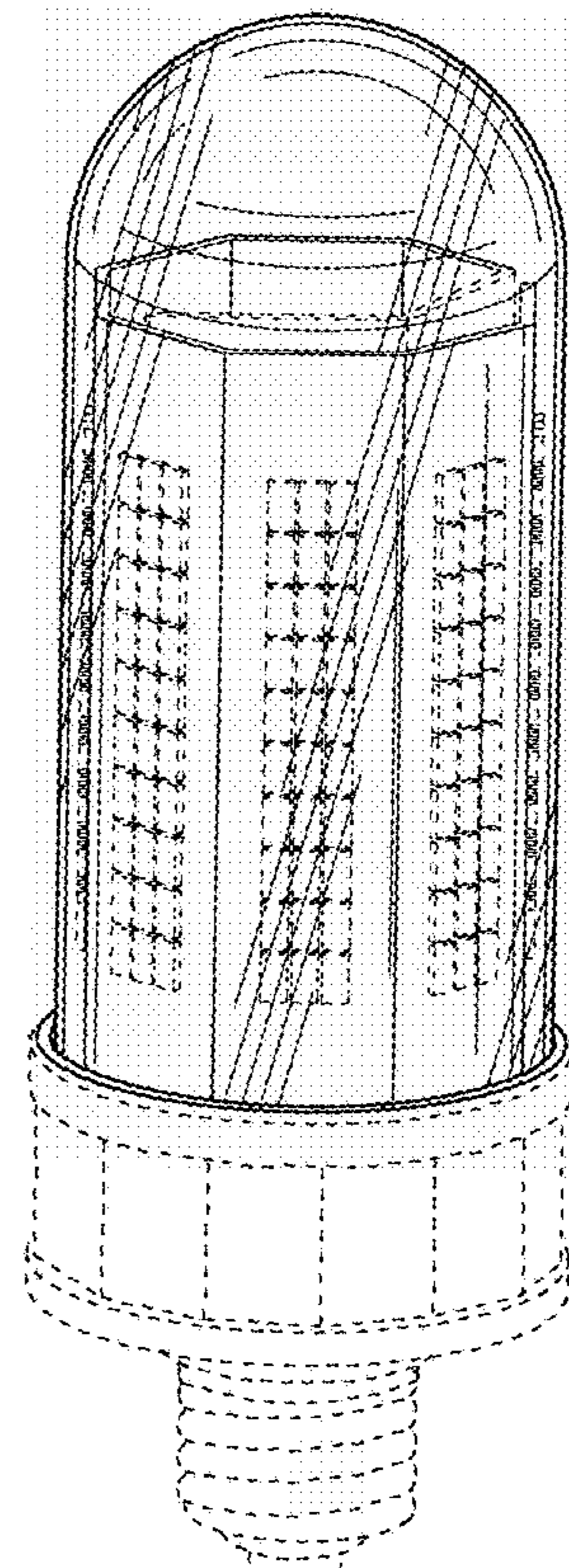


FIG. 3

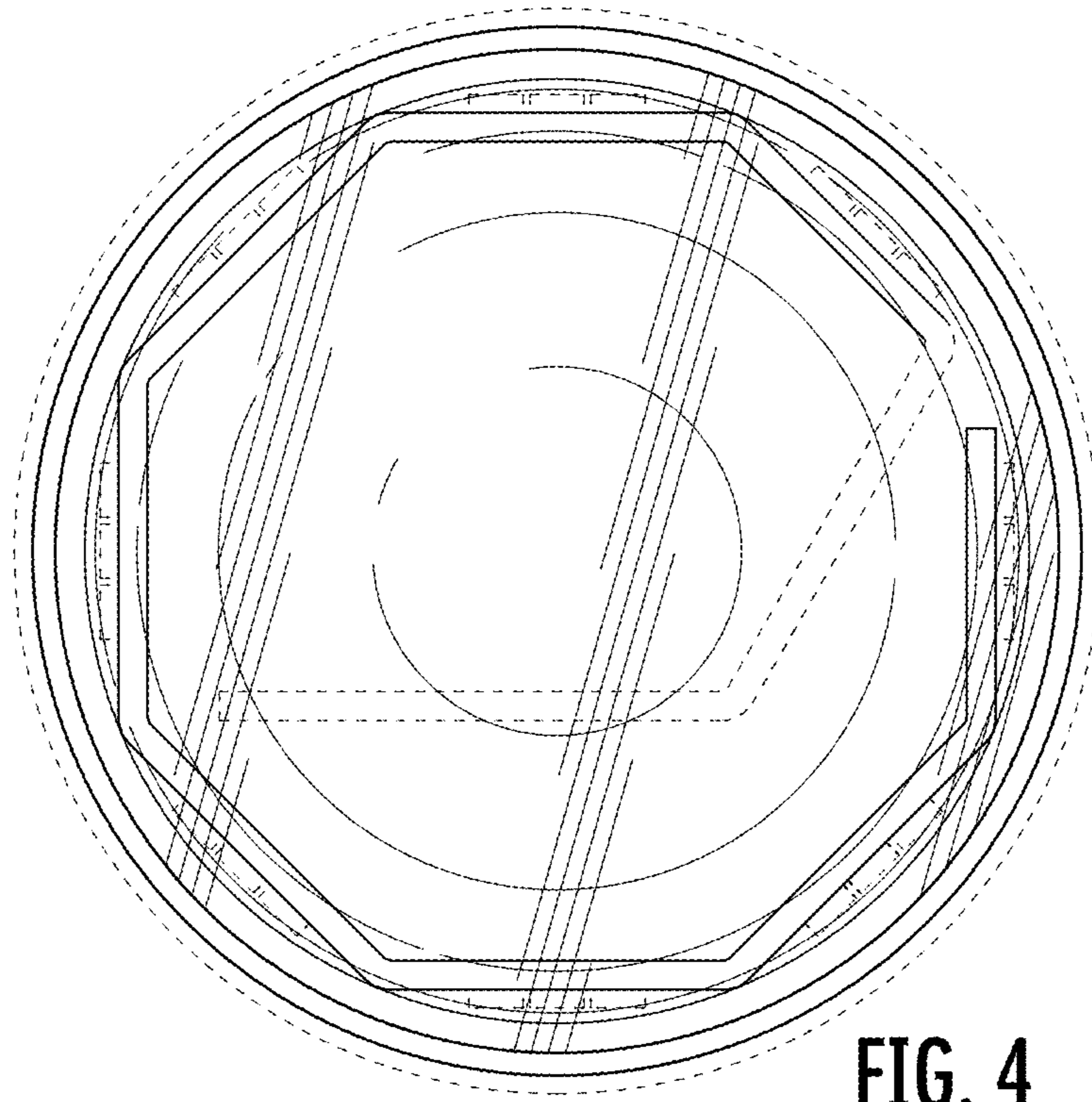


FIG. 4

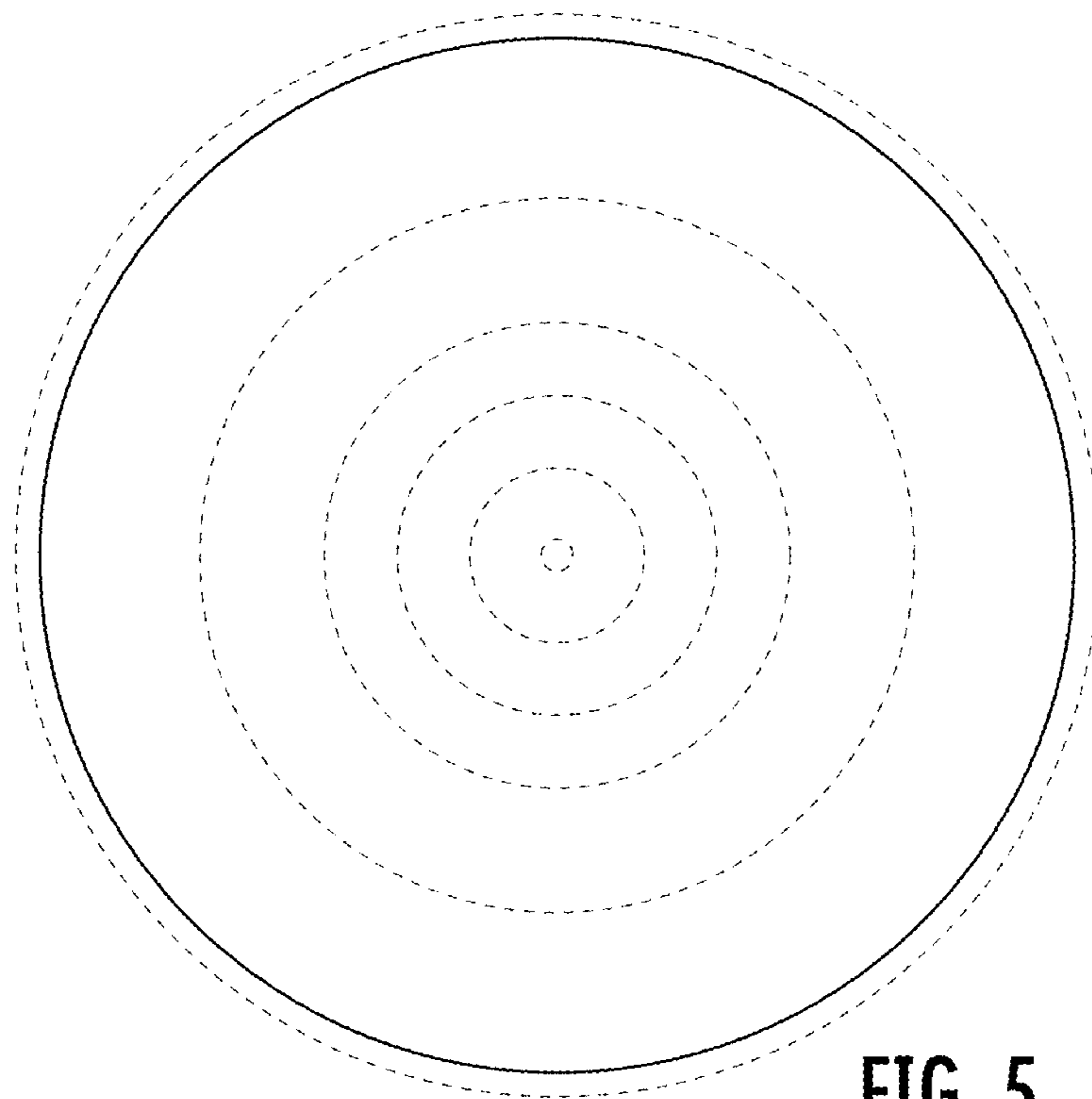


FIG. 5

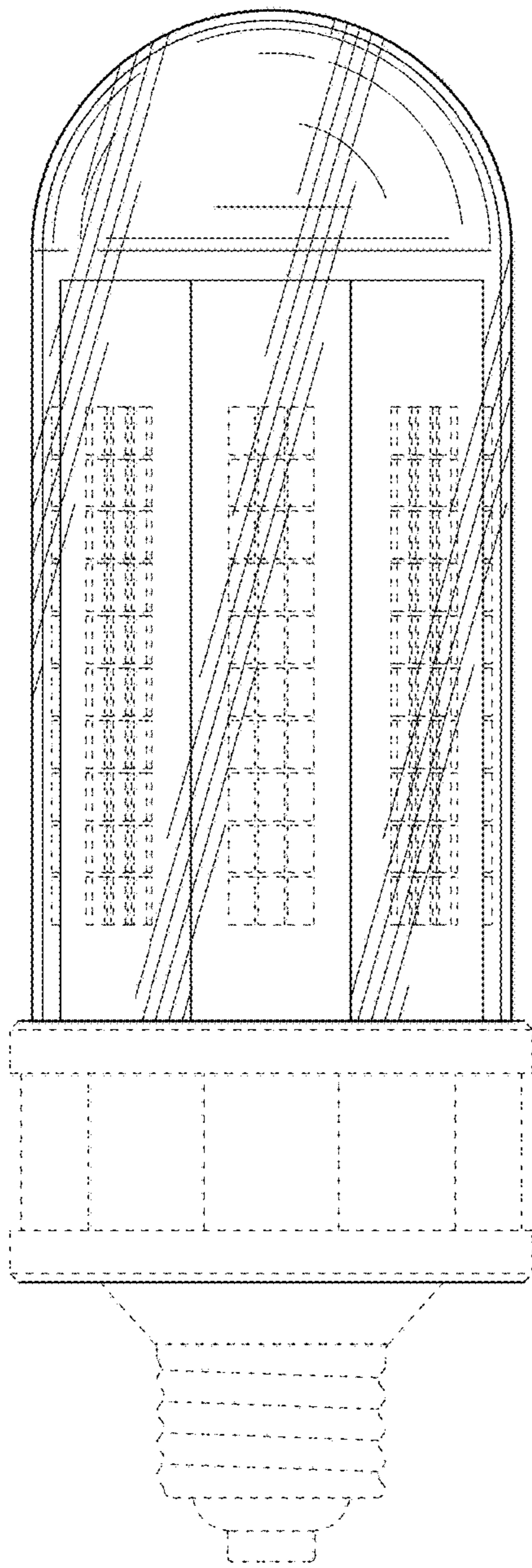


FIG. 6

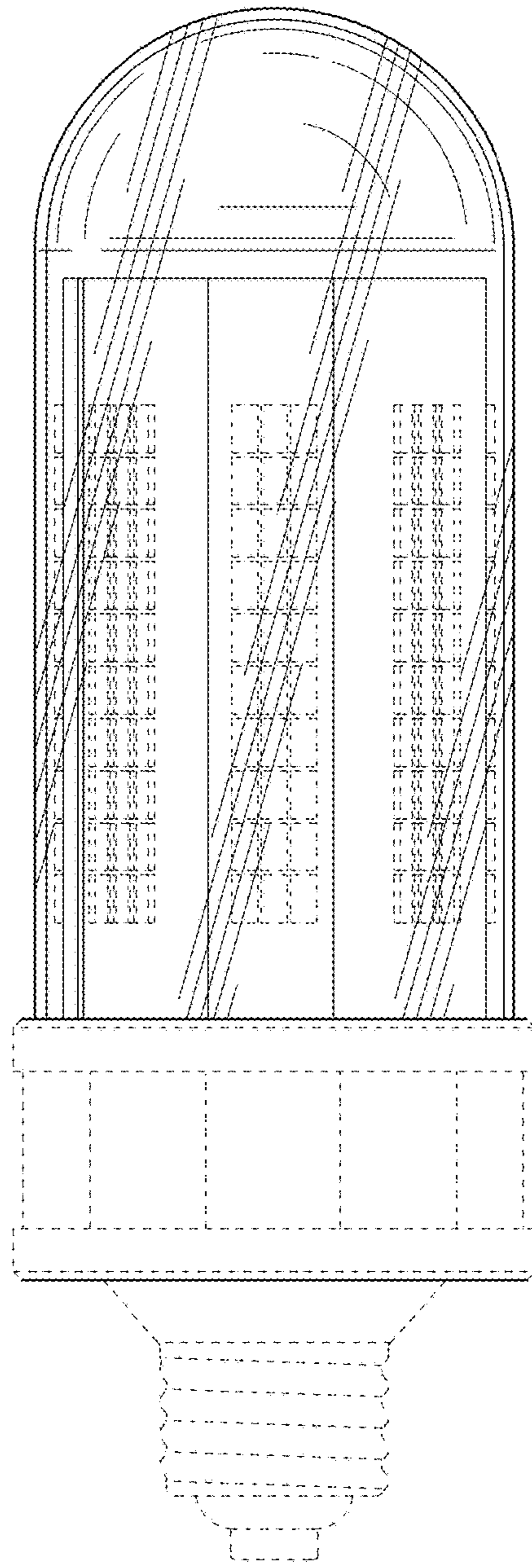


FIG. 7

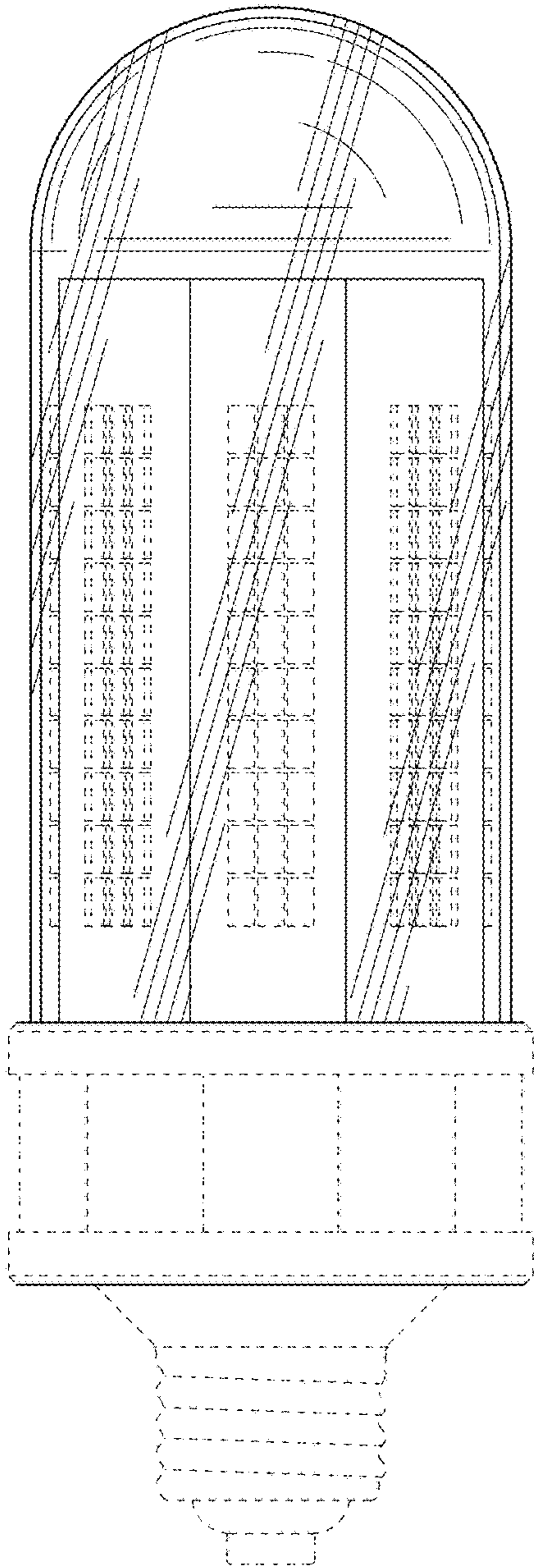


FIG. 8

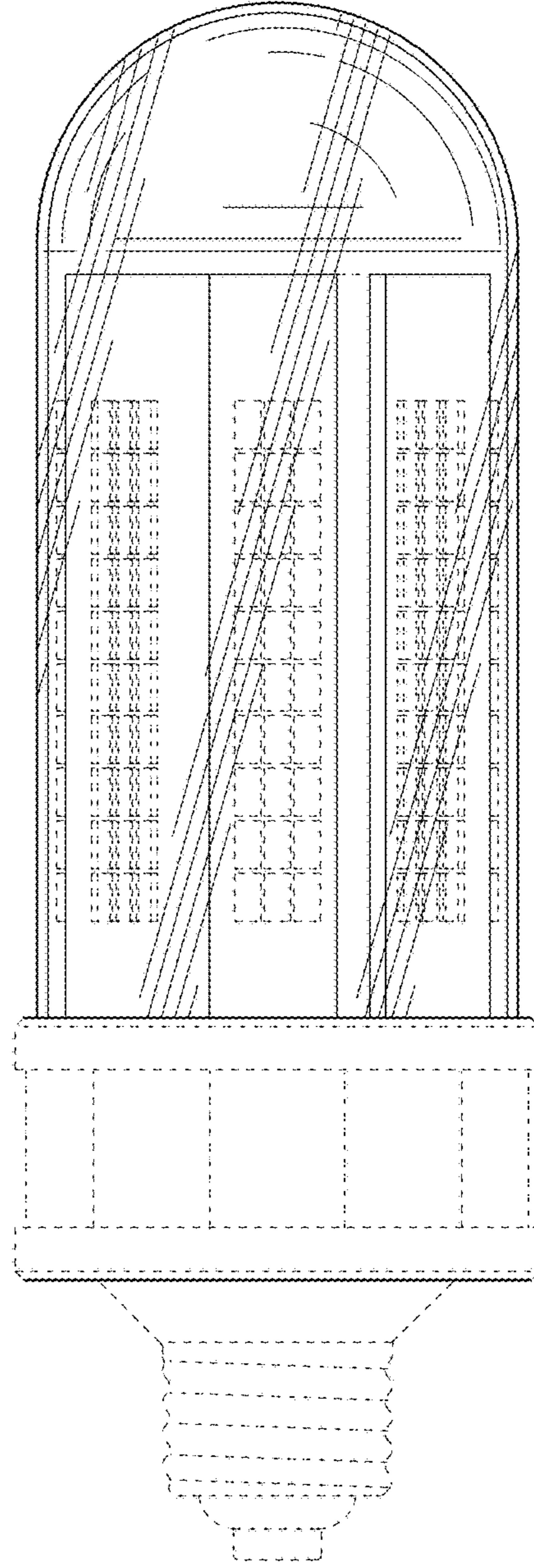


FIG. 9