

US00D828582S

(12) **United States Design Patent** (10) **Patent No.:** **US D828,582 S**  
**Jackson et al.** (45) **Date of Patent:** **\*\* Sep. 11, 2018**

(54) **TRIM INSERT**

E06B 1/62; E06B 1/70; E06B 1/702;  
E06B 1/705; E06B 1/707

(71) Applicant: **R. H. Tamlyn & Sons, LP**, Stafford,  
TX (US)

See application file for complete search history.

(72) Inventors: **Terrance Jackson**, Missouri City, TX  
(US); **Wayne Harold Braun**, Houston,  
TX (US)

(56) **References Cited**

U.S. PATENT DOCUMENTS

(73) Assignee: **R. H. Tamlyn & Sons, LP**, Stafford,  
TX (US)

D194,585 S *	2/1963	Waring .....	D25/121
D194,586 S *	2/1963	Waring .....	D25/121
3,078,971 A *	2/1963	Wallerstein, Jr. ....	E04B 1/98
			D25/126
D217,713 S *	6/1970	Miller .....	D25/121
D270,479 S *	9/1983	Braswell .....	D25/121
D427,327 S *	6/2000	Bevan .....	D25/121
D427,694 S *	7/2000	Bevan .....	D25/121

(\*\*) Term: **15 Years**

(Continued)

(21) Appl. No.: **29/583,891**

OTHER PUBLICATIONS

(22) Filed: **Nov. 9, 2016**

“Canadian Application Serial No. 174,726, Response filed Feb. 9,  
2018 to Office Action dated Nov. 9, 2017”, 11 pgs.

(51) **LOC (11) Cl.** ..... **25-02**

(52) **U.S. Cl.**  
USPC ..... **D25/119**

*Primary Examiner* — Cynthia Ramirez

*Assistant Examiner* — L. Martinez-Rivera

(58) **Field of Classification Search**  
USPC ..... D25/119–126, 131–137, 164, 199;  
D8/349, 354, 376, 377, 378, 380, 381,  
D8/382

(74) *Attorney, Agent, or Firm* — Schwegman Lundberg &  
Woessner, P.A.

CPC ... E04C 3/00; E04C 3/005; E04C 3/02; E04C  
3/04; E04C 3/12; E04C 3/20; E04C 3/28;  
E04C 3/30; E04F 19/02; E04F 19/022;  
E04F 19/026; E04F 19/028; E04F 19/04;  
E04F 19/0436; E04F 19/0481; E04F  
19/0486; E04F 19/06; E04F 19/061;  
E06B 1/00; E06B 1/006; E06B 1/02;  
E06B 1/04; E06B 1/045; E06B 1/12;  
E06B 1/16; E06B 1/34; E06B 1/342;  
E06B 1/345; E06B 1/347; E06B 1/36;  
E06B 1/363; E06B 1/366; E06B 1/38;  
E06B 1/40; E06B 1/52; E06B 1/522;  
E06B 1/524; E06B 1/526; E06B 1/528;  
E06B 1/56; E06B 1/60; E06B 1/6092;

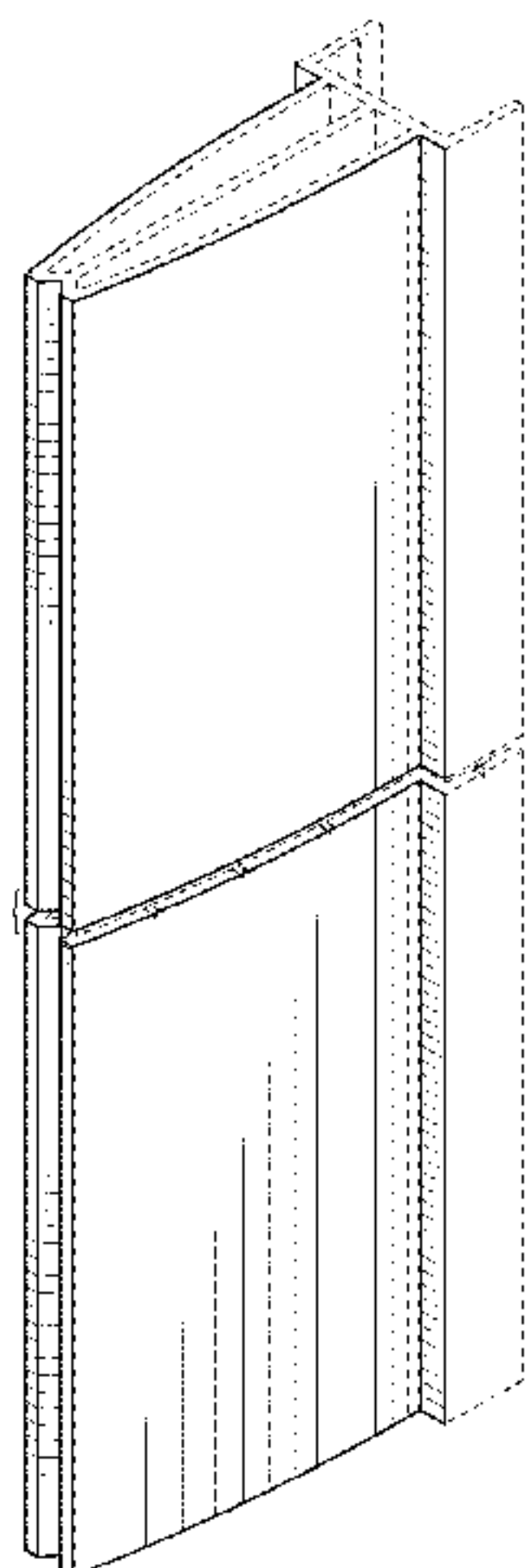
(57) **CLAIM**

The ornamental design for a trim insert, as shown and  
described.

**DESCRIPTION**

FIG. 1 is a first perspective view of a trim insert, showing the  
new design.  
 FIG. 2 is a front view of the trim insert of FIG. 1.  
 FIG. 3 is a back view of the trim insert of FIG. 1.  
 FIG. 4 is a first side view of the trim insert of FIG. 1.  
 FIG. 5 is a second side view of the trim insert of FIG. 1.  
 FIG. 6 is a top view of the trim insert of FIG. 1.  
 FIG. 7 is a bottom view of the trim insert of FIG. 1; and,  
 FIG. 8 is a second perspective view of the trim insert of FIG.  
 1 in an installed configuration.

(Continued)



Symbolic breaks are included in the Figures. The appearance of any portion of the article between the symbolic break lines forms no part of the claimed design.

The broken lines depict environmental subject matter only and form no part of the claimed design.

**1 Claim, 6 Drawing Sheets**

(56)

**References Cited**

U.S. PATENT DOCUMENTS

D452,335 S *	12/2001	Brown .....	D25/199
D452,744 S *	1/2002	Brown .....	D25/199
D616,566 S *	5/2010	Desrosiers .....	D25/122
D662,405 S *	6/2012	Zhang .....	D8/380
D689,199 S *	9/2013	Elizarraras .....	D25/136
D773,696 S *	12/2016	Molinelli .....	D25/136
D774,213 S *	12/2016	Baldoni .....	D25/119
D774,874 S *	12/2016	Wentzel .....	D8/349

\* cited by examiner

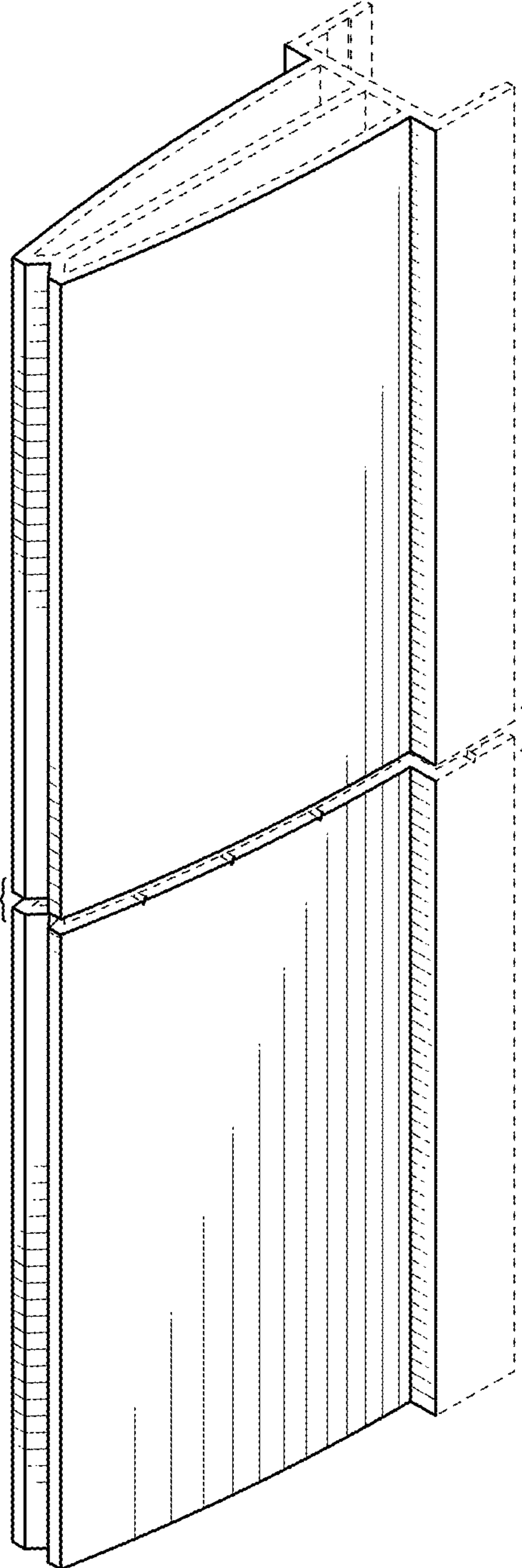


FIG. 1

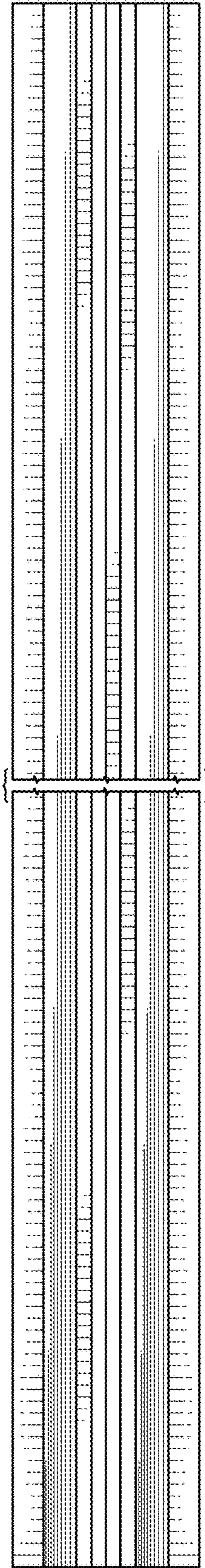


FIG. 2

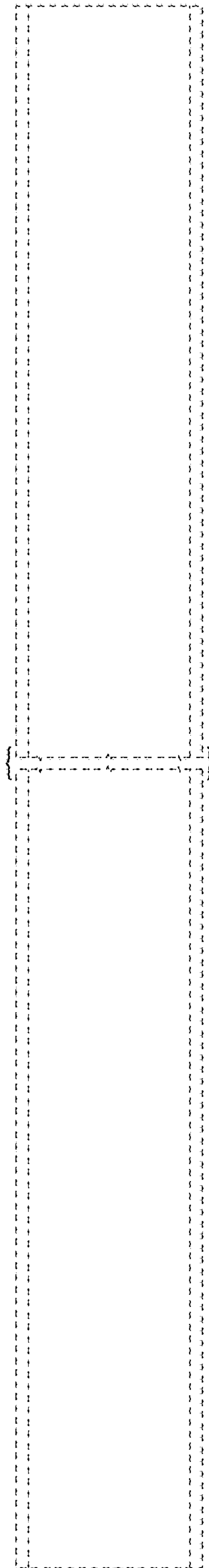


FIG. 3



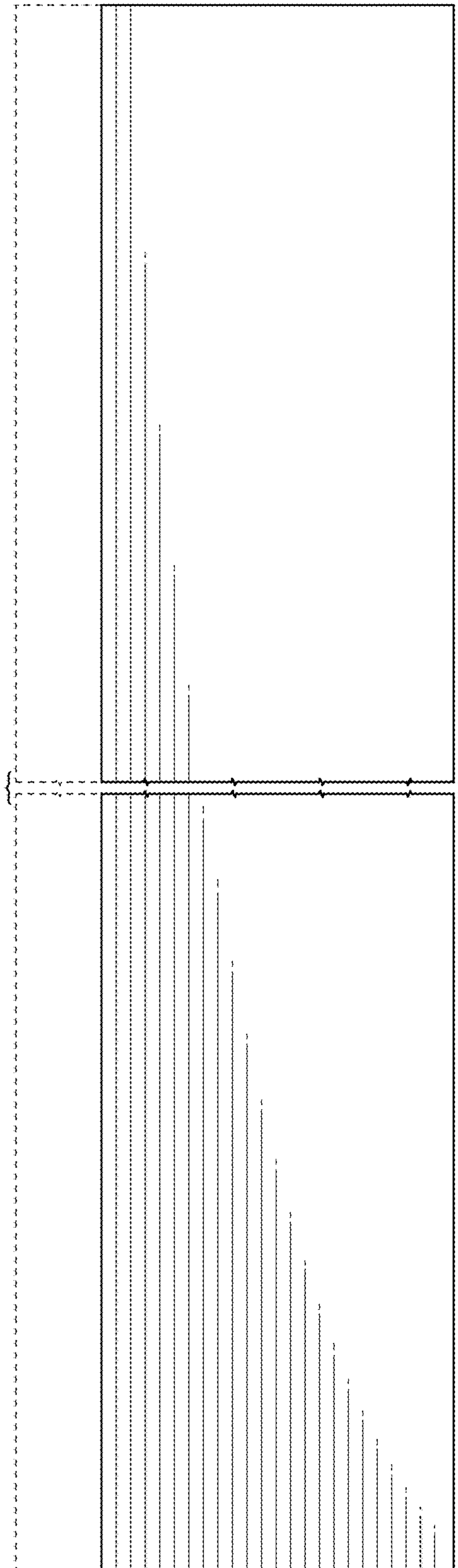


FIG. 4

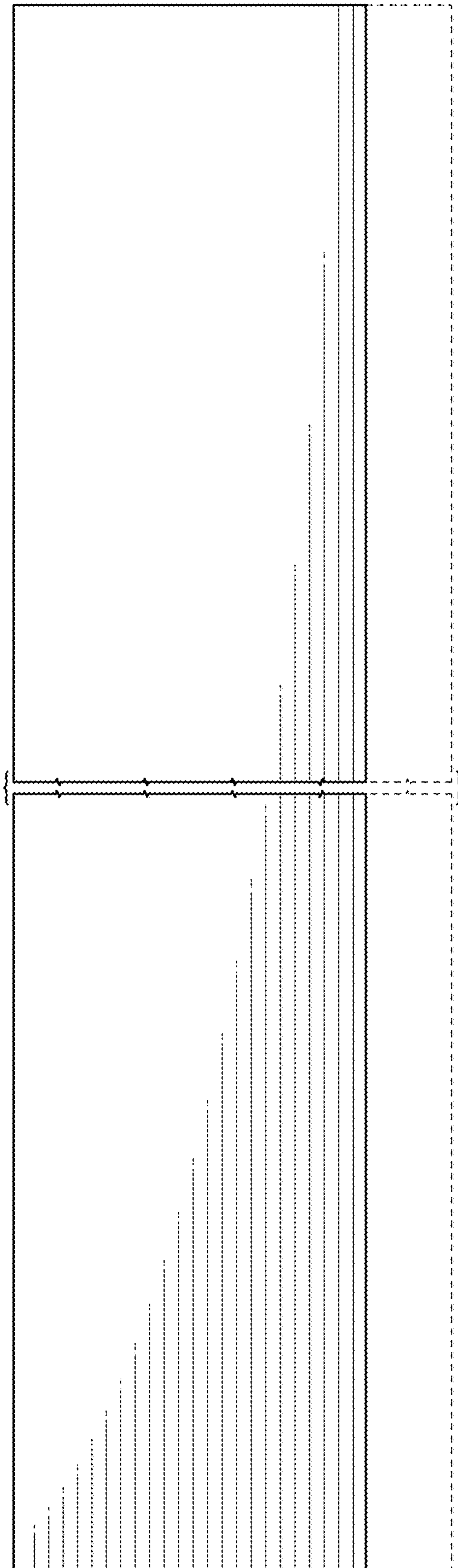


FIG. 5

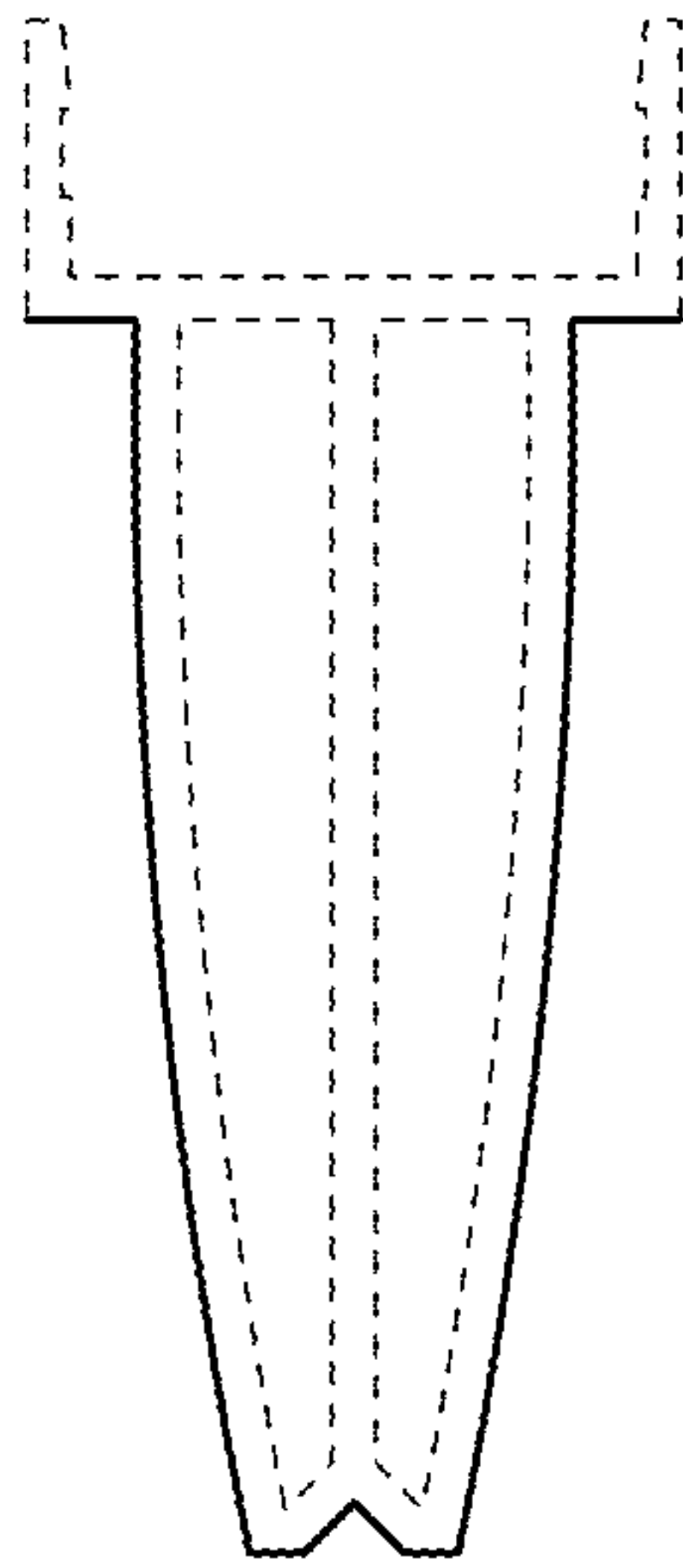


FIG. 6

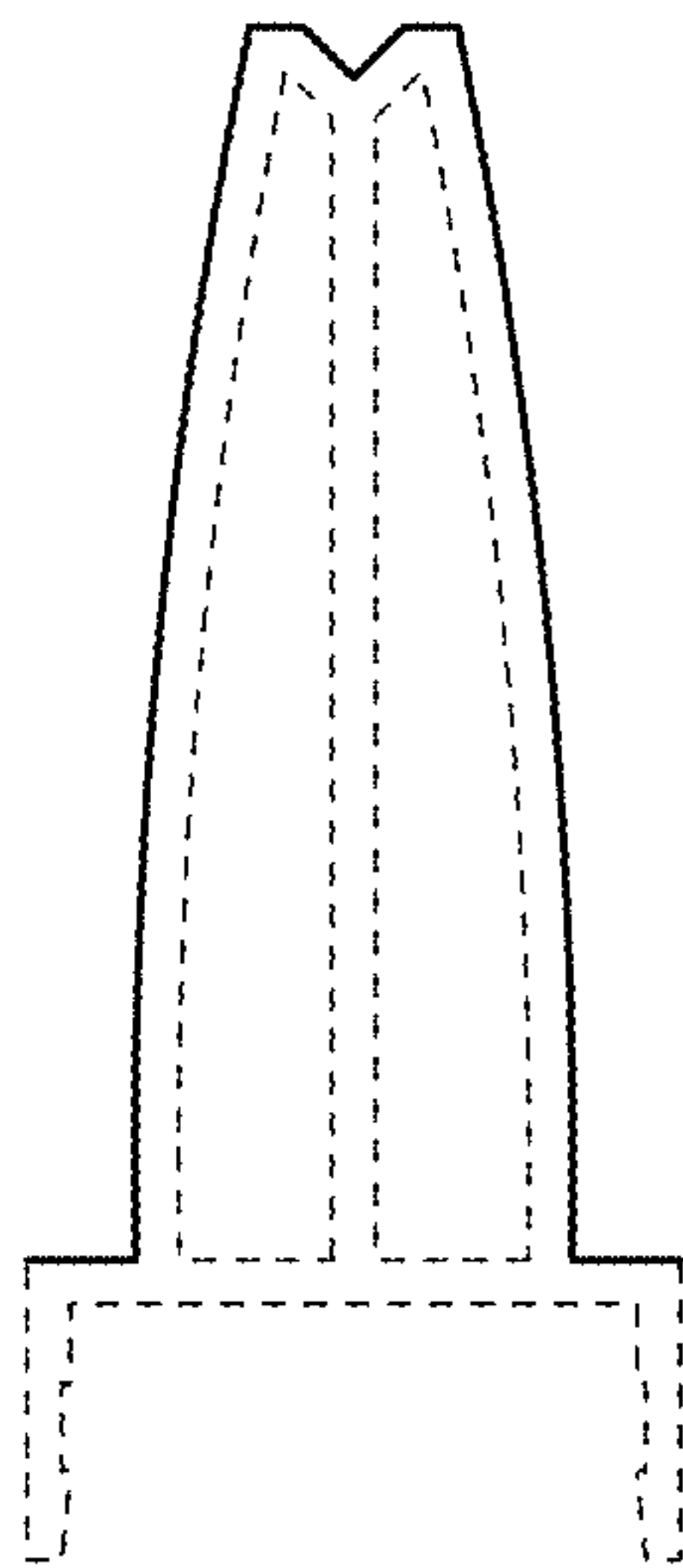


FIG. 7

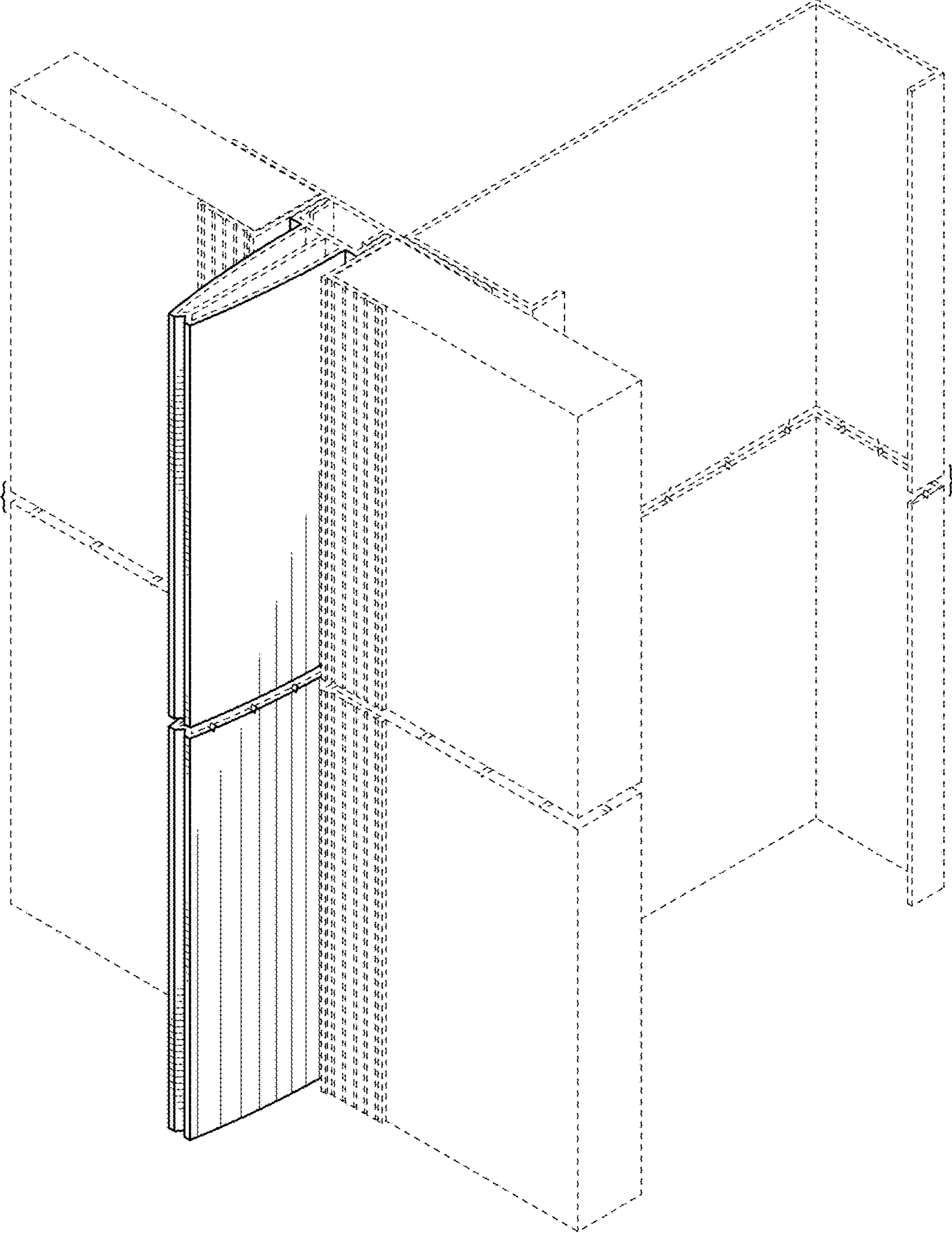


FIG. 8