



US00D828581S

(12) **United States Design Patent**  
**Reynolds et al.**

(10) **Patent No.:** **US D828,581 S**  
(45) **Date of Patent:** **\*\* Sep. 11, 2018**

- (54) **CEILING GRID T-BAR STRUCTURAL MEMBER**
- (71) Applicant: **TATE ACCESS FLOORS LEASING, INC.**, Wilmington, DE (US)
- (72) Inventors: **William W Reynolds**, Pasadena, MD (US); **Peter R Strapp**, Silver Spring, MD (US)
- (73) Assignee: **TATE ACCESS FLOORS LEASING, INC.**, Wilmington, DE (US)
- (\*\*) Term: **15 Years**

7,516,585	B2 *	4/2009	Lehane, Jr. ....	E04B 9/068
				29/897.312
D618,826	S *	6/2010	Lehane, Jr. ....	D25/164
D641,500	S *	7/2011	Lehane, Jr. ....	D25/122
8,177,385	B2 *	5/2012	Porciatti .....	E04B 9/006
				362/147
D672,476	S *	12/2012	Field .....	E04B 9/068
				D25/125
8,397,462	B2 *	3/2013	Gulbrandsen .....	E04B 9/067
				52/636
8,590,275	B2 *	11/2013	Platt .....	B21D 47/01
				29/897.35
8,615,948	B2 *	12/2013	Underkofler .....	E04B 9/067
				52/506.06
9,371,649	B2 *	6/2016	Cipriani .....	E04B 9/10
D795,454	S *	8/2017	Curtin .....	D25/119
9,879,850	B2 *	1/2018	Porciatti .....	F21V 29/767

- (21) Appl. No.: **29/589,859**
- (22) Filed: **Jan. 5, 2017**
- (51) **LOC (11) Cl.** ..... **25-02**
- (52) **U.S. Cl.**  
USPC ..... **D25/61; D25/164**
- (58) **Field of Classification Search**  
USPC ..... D25/61, 119, 126, 127, 128, 129, 130, D25/131, 132, 133, 134, 135, 164; D8/349, 384, 403, 71, 72, 74, 354, 106, D8/394; D12/223, 404, 410, 420, 423  
CPC . E04B 9/064; E04B 9/067; E04B 9/12; E04B 9/127; E04B 9/183; E04B 9/20; E04C 2003/0421; E04C 2003/0434; E04C 2003/046; E04C 3/07; E04F 15/02177; F24F 13/068; F24F 13/075  
See application file for complete search history.

\* cited by examiner

*Primary Examiner* — Cathron C Brooks  
*Assistant Examiner* — Samantha Q. Lawrence  
(74) *Attorney, Agent, or Firm* — Oliff PLC

(57) **CLAIM**

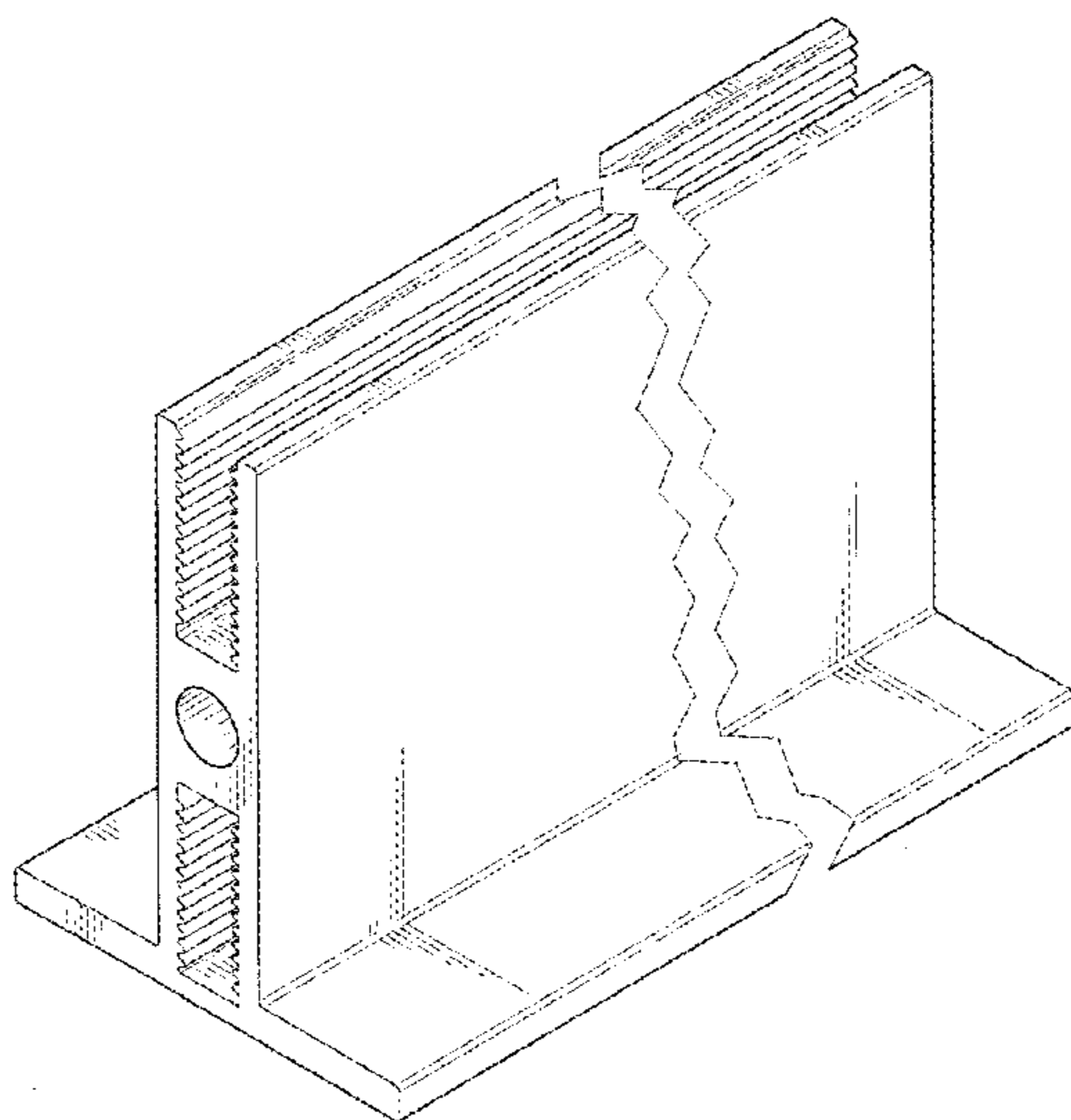
The ornamental design for a ceiling grid T-bar structural member, as shown and described.

**DESCRIPTION**

FIG. 1 is a top perspective view of a ceiling grid T-bar structural member of our design.  
FIG. 2 is a front elevation view thereof, with the rear elevation view being a mirror image of the front elevation view.  
FIG. 3 is a top view thereof.  
FIG. 4 is a right-side view thereof, with the left-side view being a mirror image of the right-side view; and,  
FIG. 5 is a bottom view thereof.  
The break lines shown in FIGS. 1-5 indicate a symbolic break in length, and form no part of the claimed design. The appearance of any portion of the article between the break lines forms no part of the claimed design.

**1 Claim, 5 Drawing Sheets**

- (56) **References Cited**  
U.S. PATENT DOCUMENTS  
4,208,851 A \* 6/1980 Sauer ..... E04B 9/067  
403/188  
4,713,919 A \* 12/1987 Platt ..... E04B 9/067  
52/232  
D568,706 S \* 5/2008 Weiby ..... D8/72  
D577,835 S \* 9/2008 Raheel ..... D25/138



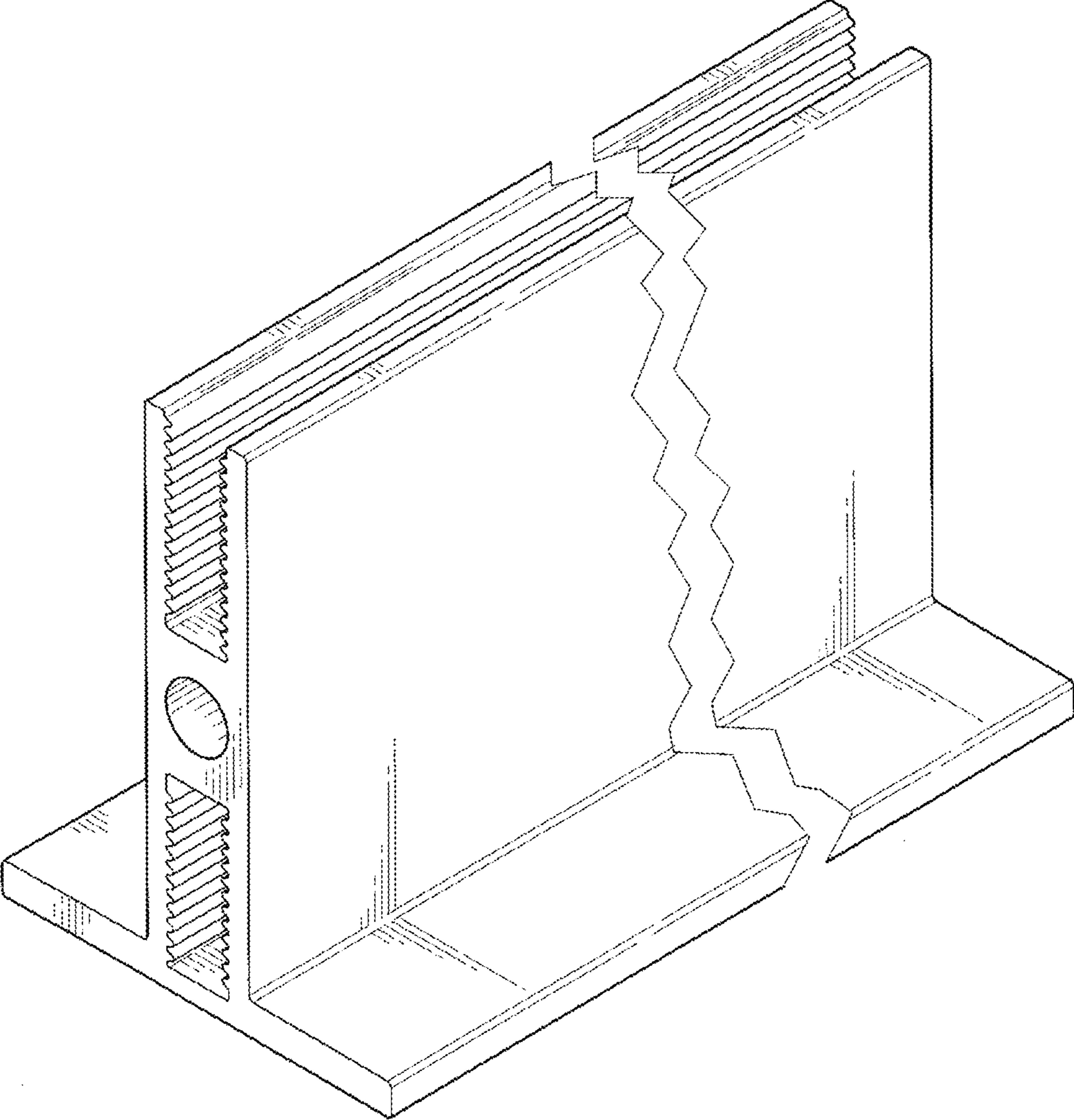


FIG. 1

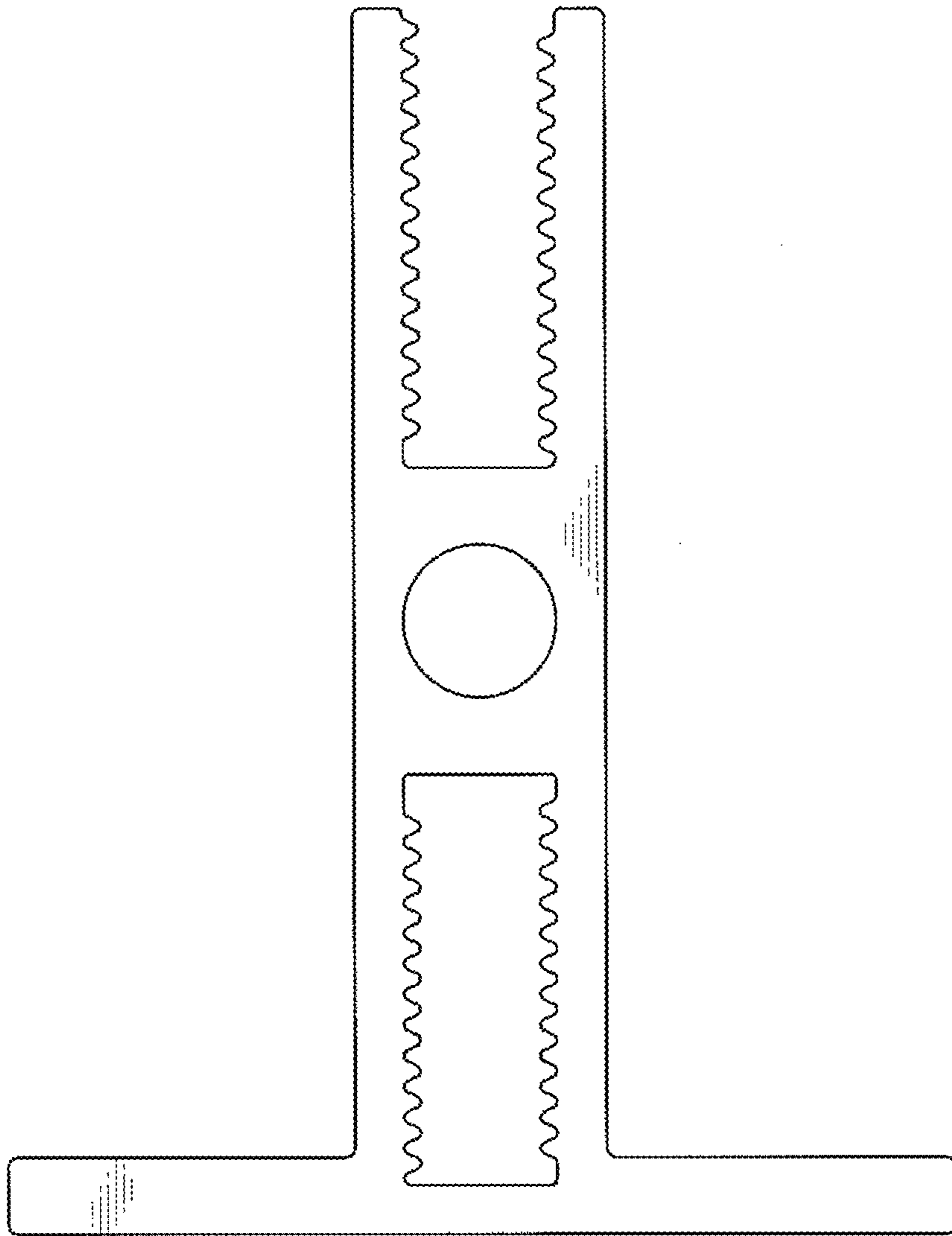


FIG. 2

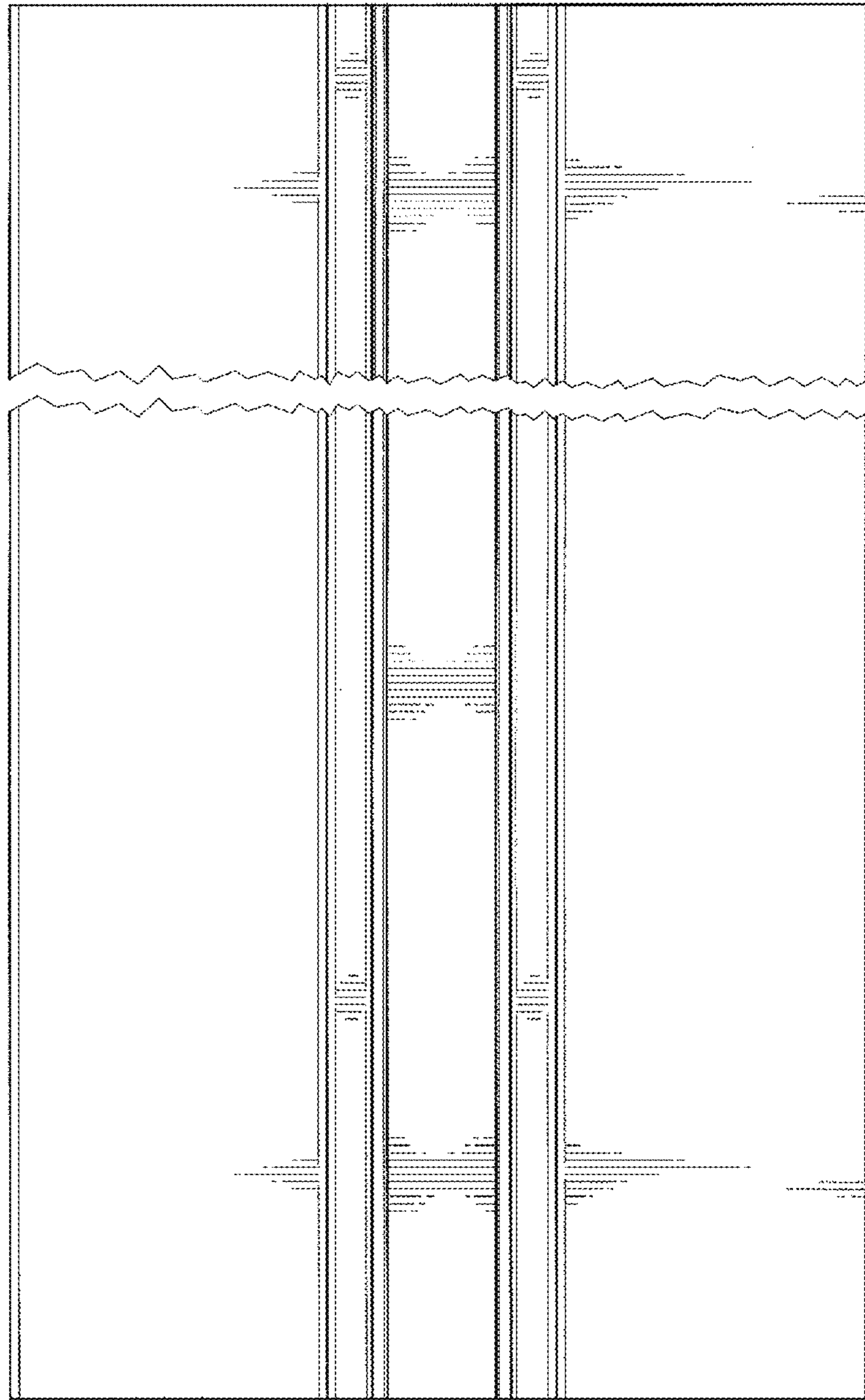


FIG. 3

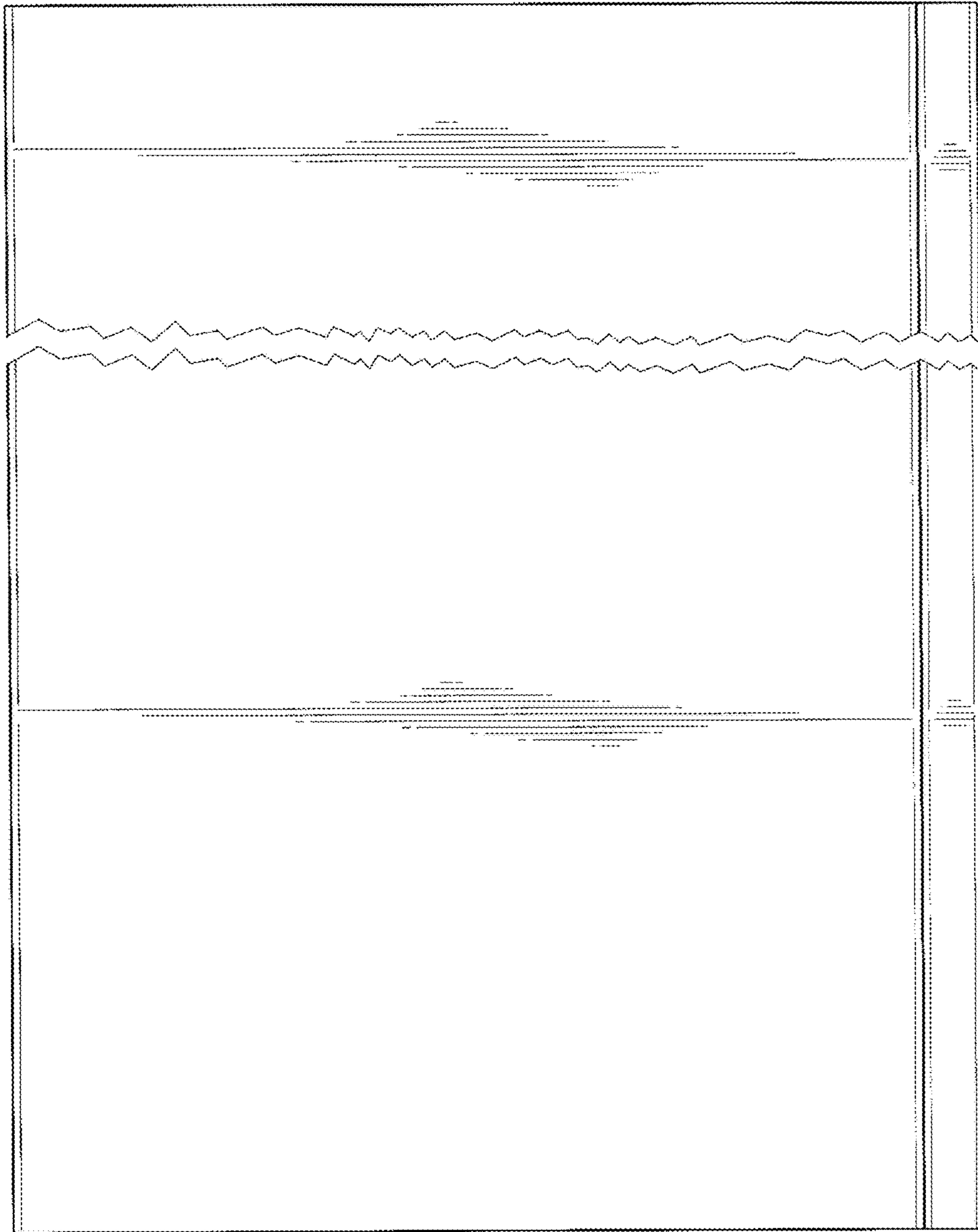


FIG. 4

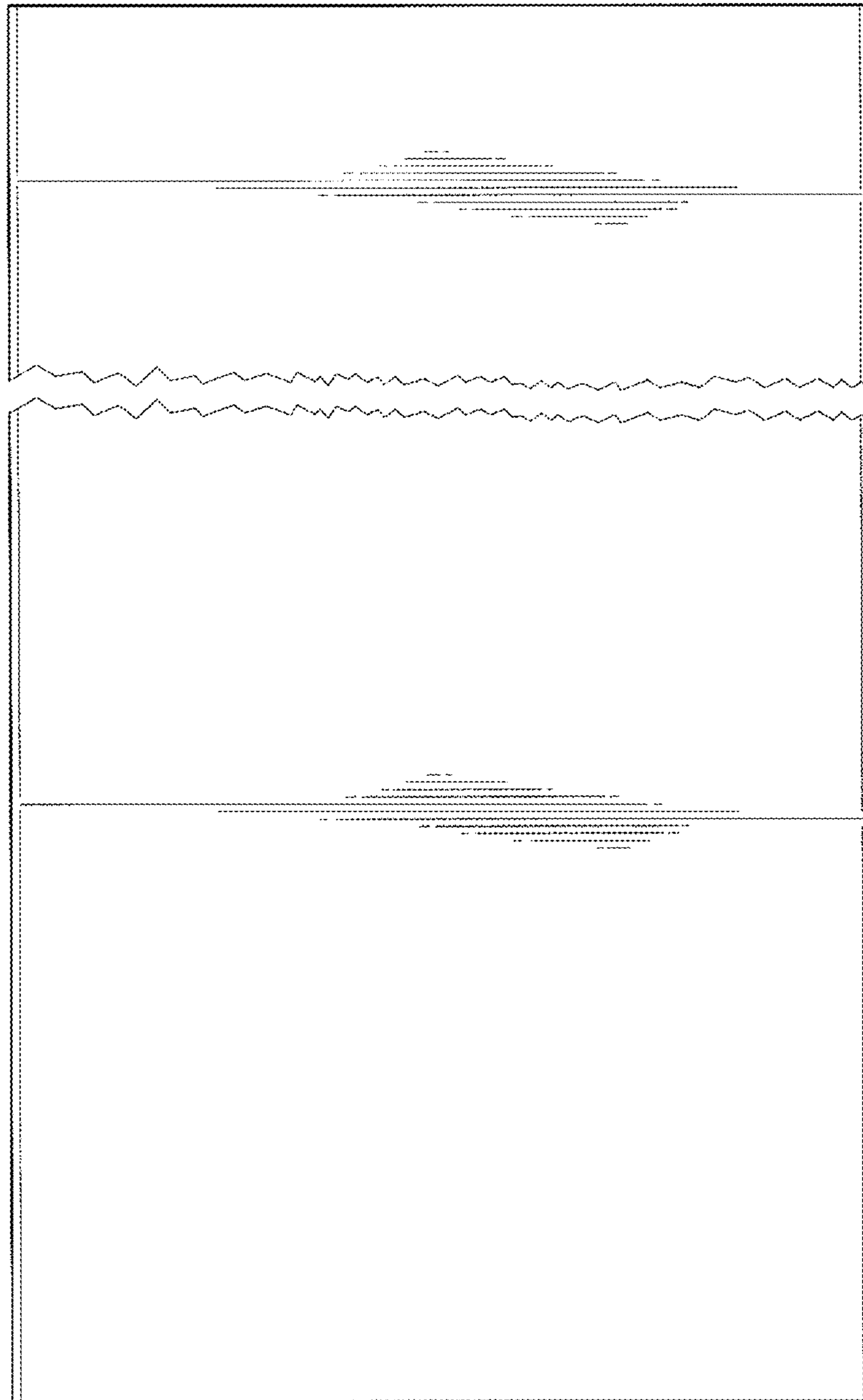


FIG. 5