



US00D828579S

(12) **United States Design Patent** (10) **Patent No.:** **US D828,579 S**  
**Saltijeral** (45) **Date of Patent:** **\*\* Sep. 11, 2018**

(54) **SECURITY FENCE**

FOREIGN PATENT DOCUMENTS

(71) Applicant: **Industrial Fence, Inc.**, Chicago, IL (US)

JP 1088287 \* 10/2000

\* cited by examiner

(72) Inventor: **Miguel A Saltijeral**, Oswego, IL (US)

*Primary Examiner* — Susan Bennett Hattan

(73) Assignee: **Industrial Fence, Inc.**, Chicago, IL (US)

*Assistant Examiner* — Leanne Was-Englehart

(74) *Attorney, Agent, or Firm* — Advitam IP, LLC

(\*\*) Term: **15 Years**

(57) **CLAIM**

(21) Appl. No.: **29/583,776**

The ornamental design for a security fence, as shown and described.

(22) Filed: **Nov. 8, 2016**

(51) **LOC (11) Cl.** ..... **25-01**

(52) **U.S. Cl.**  
USPC ..... **D25/42**

**DESCRIPTION**

(58) **Field of Classification Search**  
USPC ..... D25/38.1, 39, 42, 43, 44, 45, 138  
CPC .. E04H 17/14; E04H 17/1408; E04H 17/1417  
See application file for complete search history.

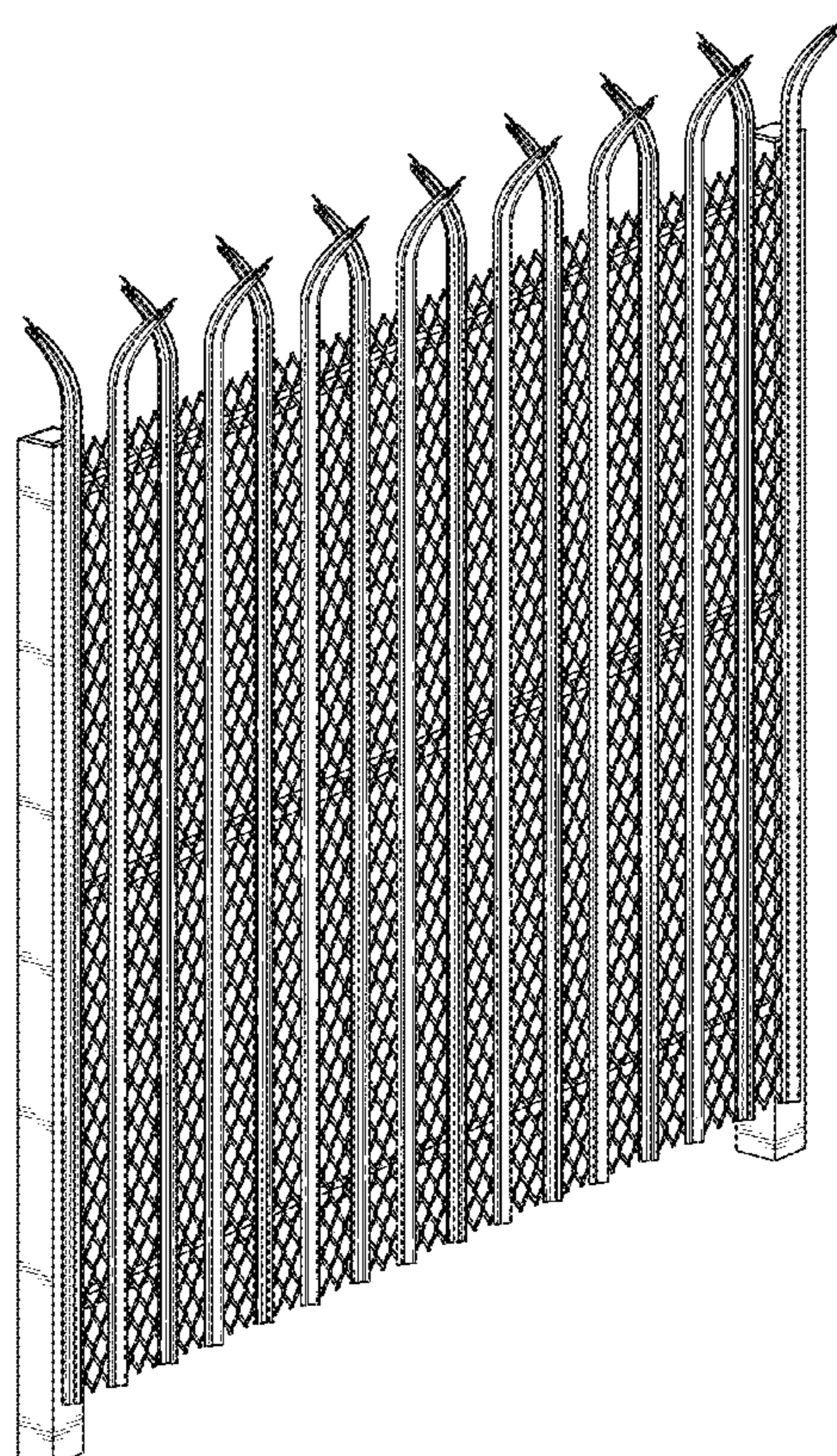
FIG. 1 is a front perspective view of the security fence;  
FIG. 2 is a rear perspective view of the security fence;  
FIG. 3 is an enlarged detail view of the security fence taken from FIG. 2;  
FIG. 4 is a front view of security fence;  
FIG. 5 is a rear view of the security fence;  
FIG. 6 is a left-side view of the security fence;  
FIG. 7 is a right-side view of the security fence;  
FIG. 8 is a top view of the security fence; and,  
FIG. 9 is a bottom view of the security fence.  
The broken-lines depict the limits of the enlarged detail view and form no part of the claimed design.

(56) **References Cited**

U.S. PATENT DOCUMENTS

D14,442 S *	11/1883	Hunziker	.....	245/2
D38,903 S *	11/1907	Sussman	.....	245/6
D566,292 S *	4/2008	Gibbs	.....	D25/119
7,461,833 B1 *	12/2008	Gibbs	.....	E04H 17/00
				256/11
D615,670 S *	5/2010	Cochrane	.....	D25/119
D723,182 S *	2/2015	Jimenez Lopez	.....	D25/45

**1 Claim, 7 Drawing Sheets**





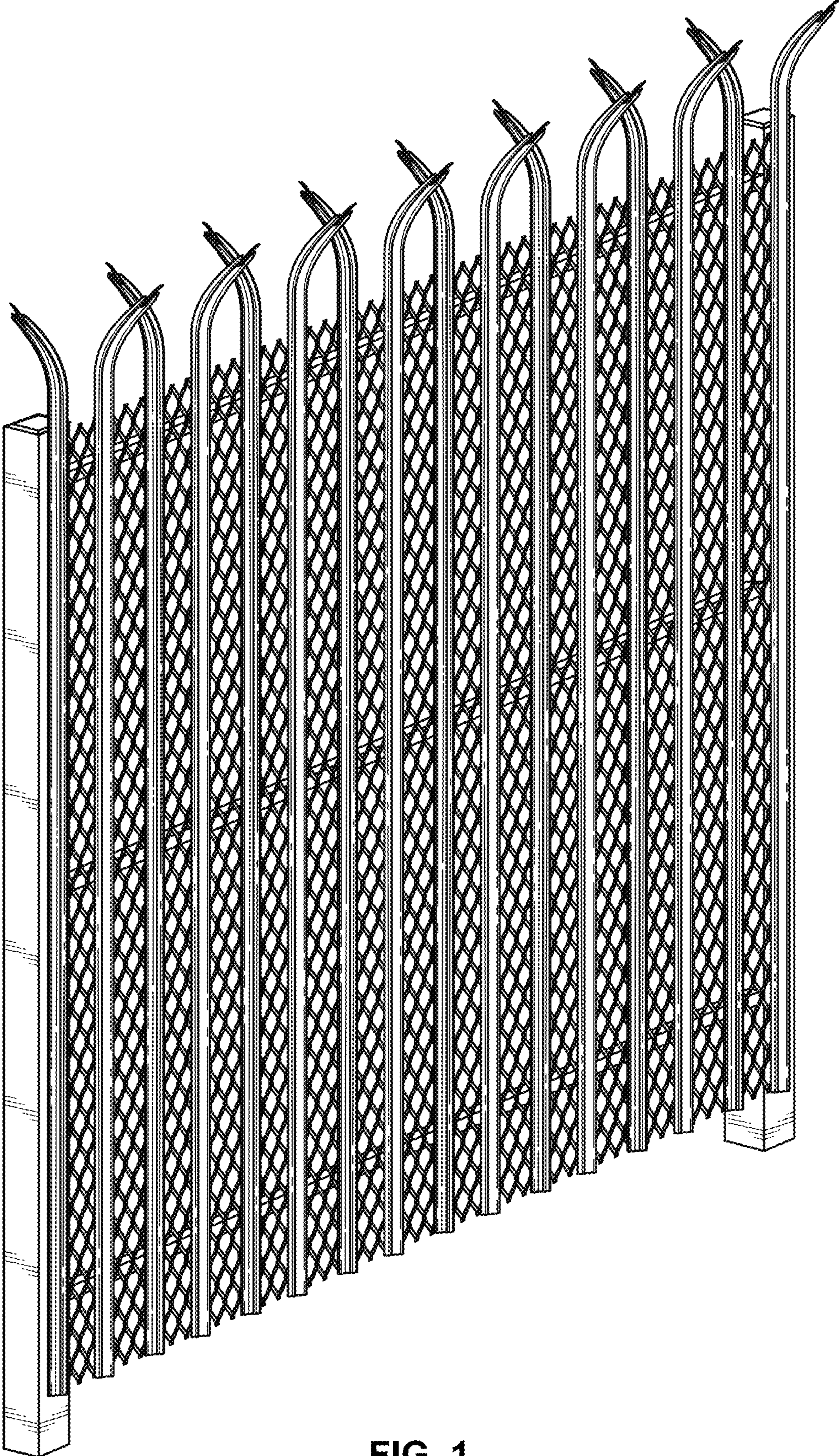


FIG. 1



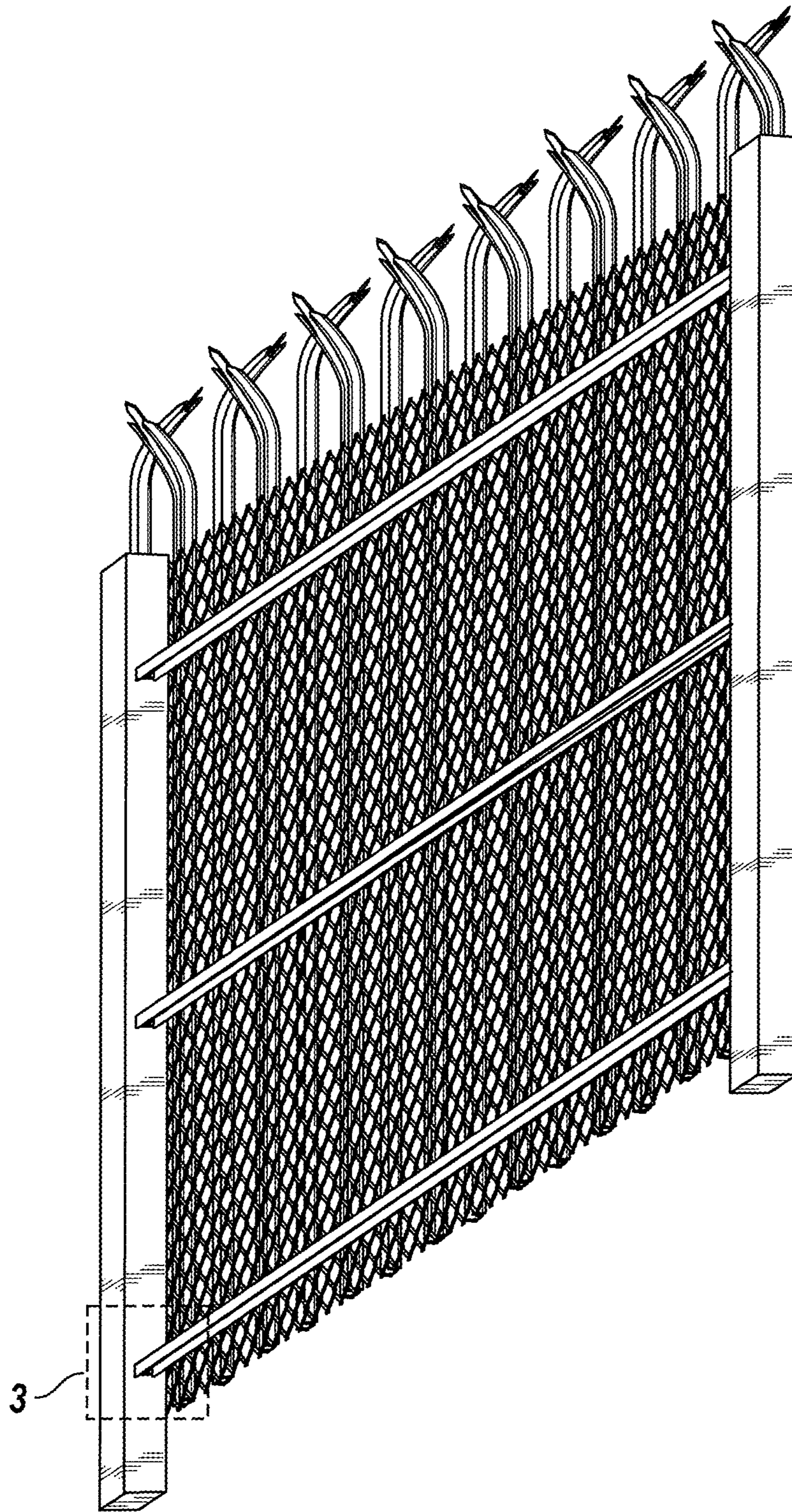


FIG. 2

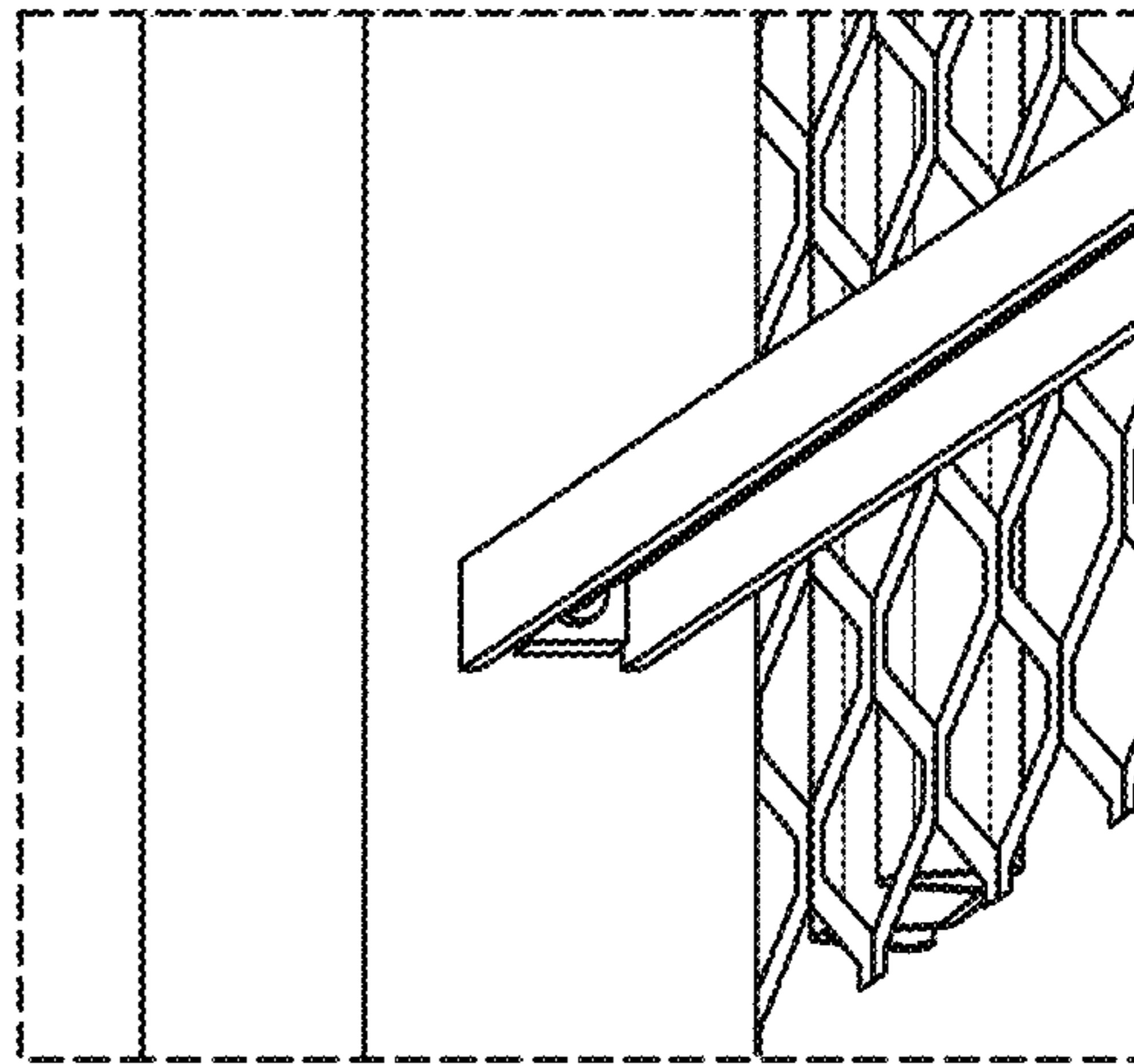


FIG. 3



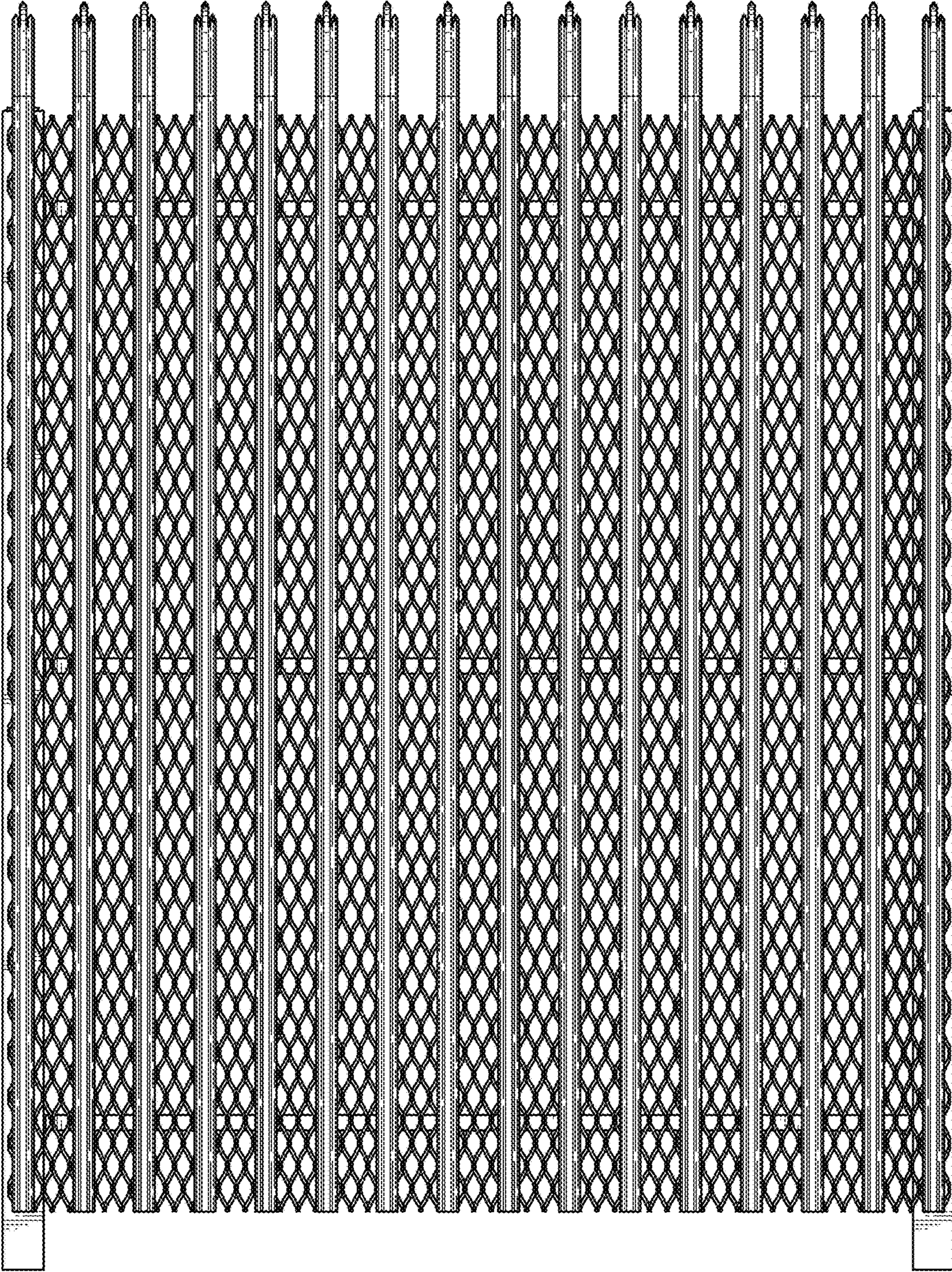


FIG. 4



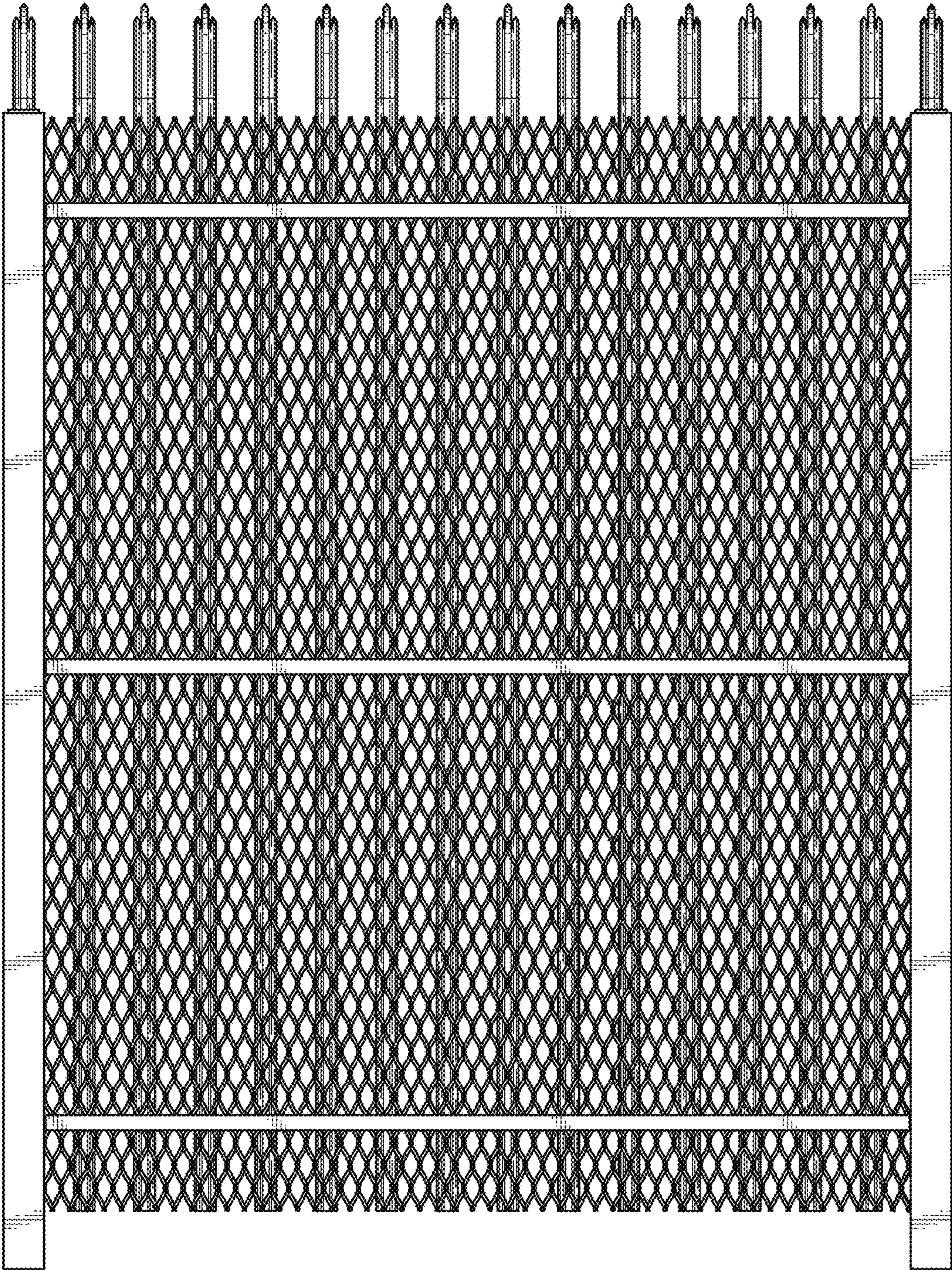


FIG. 5



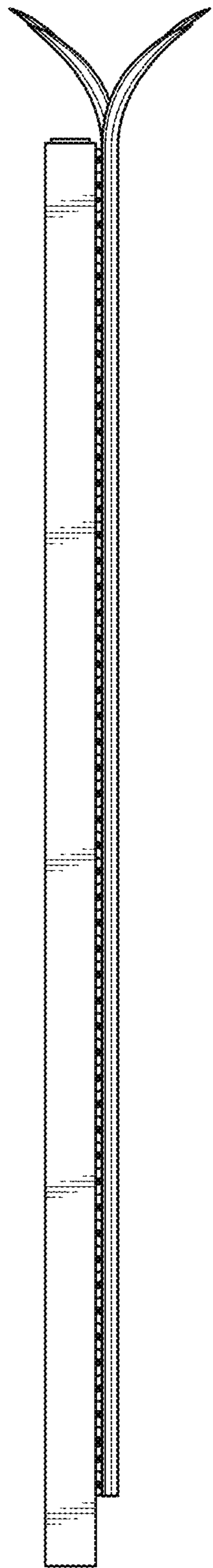


FIG. 6

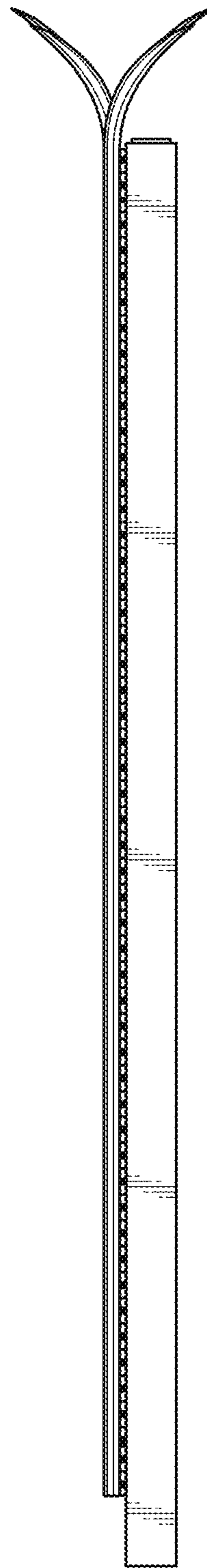


FIG. 7

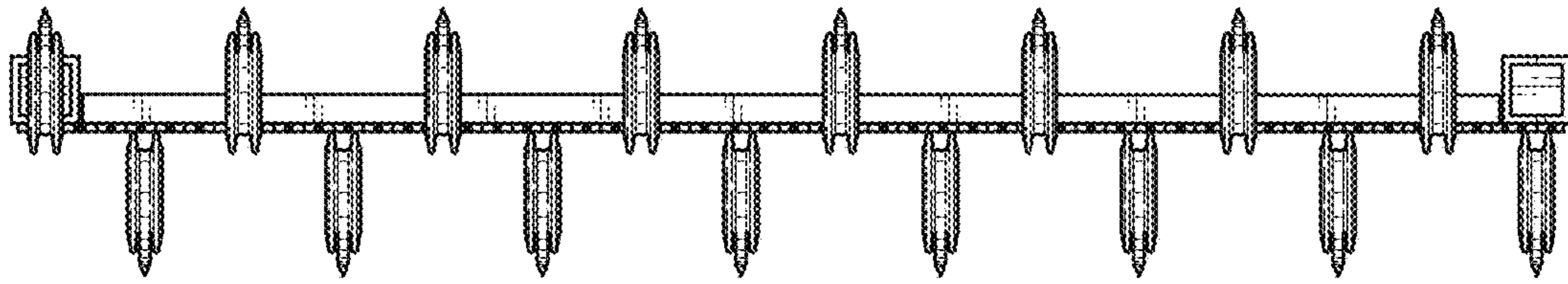


FIG. 8

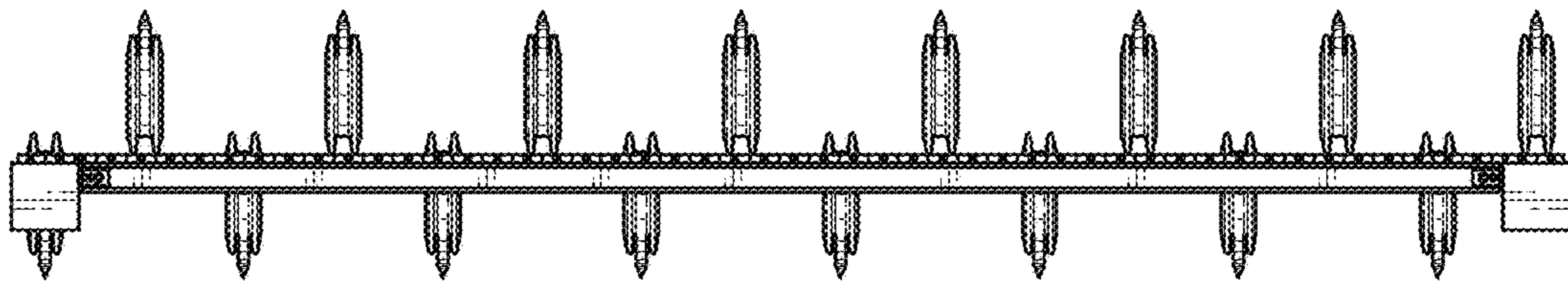


FIG. 9