



US00D828577S

(12) **United States Design Patent** (10) **Patent No.:** **US D828,577 S**
Charnegie et al. (45) **Date of Patent:** **** Sep. 11, 2018**

(54) **X-RAY AIMING RING** 4,507,798 A 3/1985 Welander
D281,353 S * 11/1985 Sico, Jr. D24/158
(71) Applicant: **Dental Imaging Technologies** 4,554,676 A 11/1985 Maldonado et al.
Corporation, Hatfield, PA (US) D283,157 S * 3/1986 Maldonado D24/161
4,707,846 A 11/1987 Sportelli et al.
(72) Inventors: **Jeremy Charnegie**, Emmaus, PA (US); 5,001,738 A * 3/1991 Brooks G03B 42/042
Timothy J. McDermott, Glenside, PA 378/168
(US); **Lisa A. Ratnow**, Dowingtown, 5,140,710 A 8/1992 Rademacher
PA (US); **Joseph J. Bria**, Furlong, PA 5,289,522 A * 2/1994 Kanbar G03B 42/042
(US); **Carl A. Yacono**, Sellersville, PA 378/168
(US); **Adam T. Palermo**, Philadelphia, PA (US)
(Continued)

FOREIGN PATENT DOCUMENTS

(73) Assignee: **DENTAL IMAGING TECHNOLOGIES CORPORATION**, Hatfield, PA (US)

CA 2479929 A1 10/2003
CA 2810653 A1 10/2013

(Continued)

(**) Term: **15 Years**

Primary Examiner — Rhea Shields
(74) *Attorney, Agent, or Firm* — Michael Best & Friedrich LLP

(21) Appl. No.: **29/554,550**

(22) Filed: **Feb. 12, 2016**

(57) **CLAIM**

Related U.S. Application Data

We claim the ornamental design for an X-ray aiming ring, as shown and described.

(63) Continuation of application No. 14/184,226, filed on Feb. 19, 2014.

DESCRIPTION

(51) **LOC (11) Cl.** **24-00**

(52) **U.S. Cl.**
USPC **D24/231**

(58) **Field of Classification Search**
USPC D24/231, 161, 158, 224; 378/170, 168, 378/145
CPC G03B 42/042; A61B 6/14; A61B 6/145
See application file for complete search history.

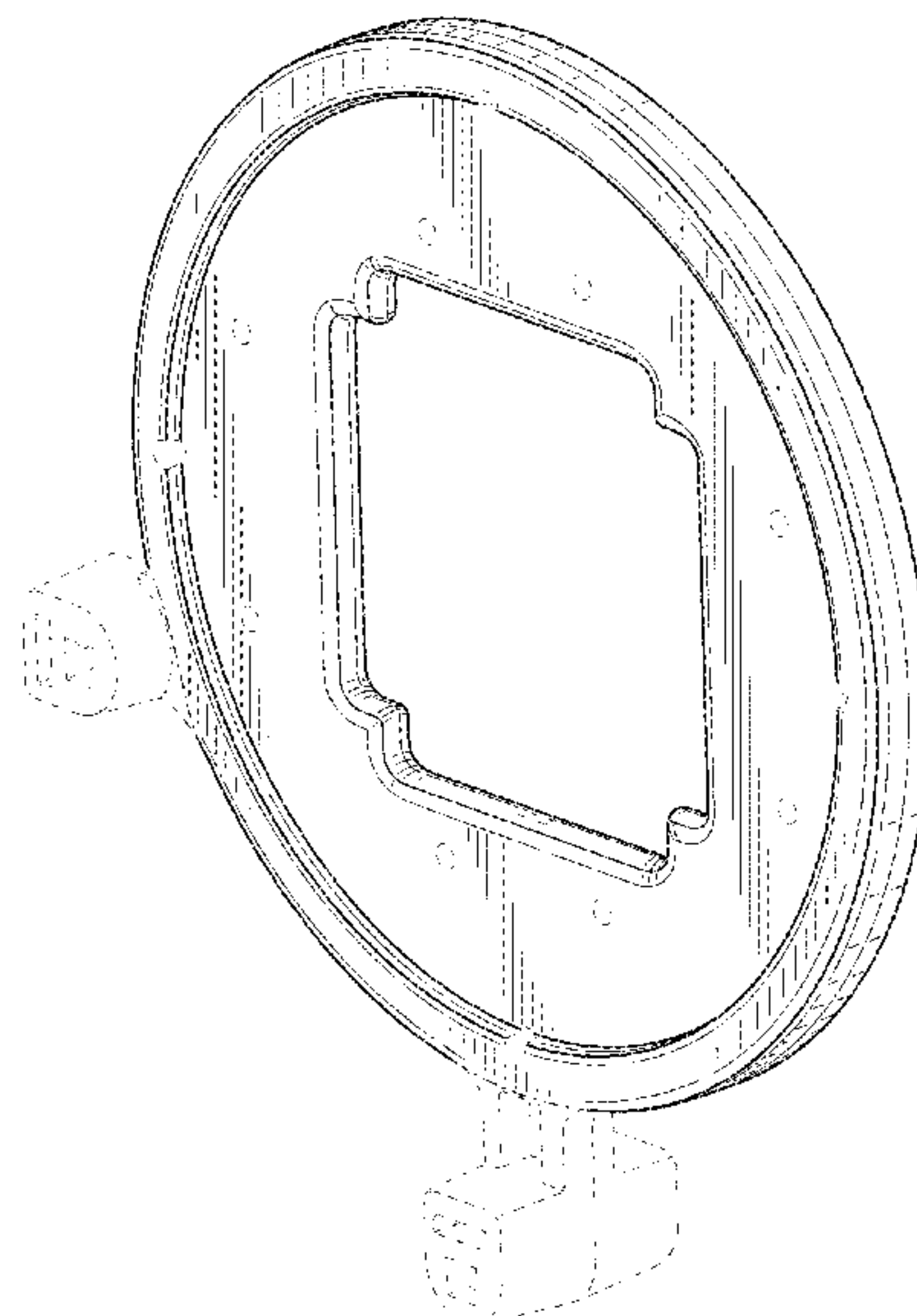
FIG. 1 is a perspective view of an X-ray aiming ring embodying the invention.
FIG. 2 is a front view of the X-ray aiming ring of FIG. 1.
FIG. 3 is a first side view of the X-ray aiming ring of FIG. 1.
FIG. 4 is a second side view of the X-ray aiming ring of FIG. 1.
FIG. 5 is a top view of the X-ray aiming ring of FIG. 1; and, FIG. 6 is a bottom view of the X-ray aiming ring of FIG. 1.
The dash-dot lines illustrate boundaries of the claimed design. Portions of the X-ray aiming ring shown in broken lines form no part of the claimed design.

(56) **References Cited**

U.S. PATENT DOCUMENTS

3,473,026 A * 10/1969 Updegrave G03B 42/042 378/170
D237,115 S * 10/1975 Stevenson D24/161

1 Claim, 4 Drawing Sheets



(56)

References Cited

U.S. PATENT DOCUMENTS

5,327,477	A	7/1994	Levy	
D370,732	S *	6/1996	Smith	D24/161
6,599,013	B1	7/2003	Diederich	
6,703,632	B1	3/2004	Macklis et al.	
7,056,015	B2	6/2006	Diederich	
7,099,427	B2	8/2006	Cadwalader et al.	
7,172,339	B2	2/2007	Diederich	
7,303,334	B2	12/2007	Cadwalader et al.	
7,360,948	B2	4/2008	Razzano et al.	
7,427,159	B2	9/2008	Diederich	
7,591,590	B2	9/2009	Cadwalader et al.	
7,695,191	B1 *	4/2010	Buchanan	A61B 6/14 378/170
8,016,483	B2 *	9/2011	Steward, Jr.	A61B 6/145 378/168
D703,324	S *	4/2014	Hayman	D24/161
D728,795	S *	5/2015	Steward, Jr.	D24/161
D737,977	S *	9/2015	Dutschmann	D24/158
9,314,215	B2 *	4/2016	Abramovich	A61B 6/145
D776,296	S *	1/2017	Wainwright	D24/224
2007/0075277	A1	4/2007	Smith et al.	
2008/0025467	A1 *	1/2008	Diederich	G03B 42/042 378/168
2013/0265696	A1	10/2013	Smyth et al.	
2015/0230764	A1 *	8/2015	Charnegie	A61B 6/145 378/145

FOREIGN PATENT DOCUMENTS

CN	1650228	A	8/2005
EP	1489987	A2	12/2004
EP	2083697	A2	8/2009
WO	2013023167	A1	2/2013

* cited by examiner

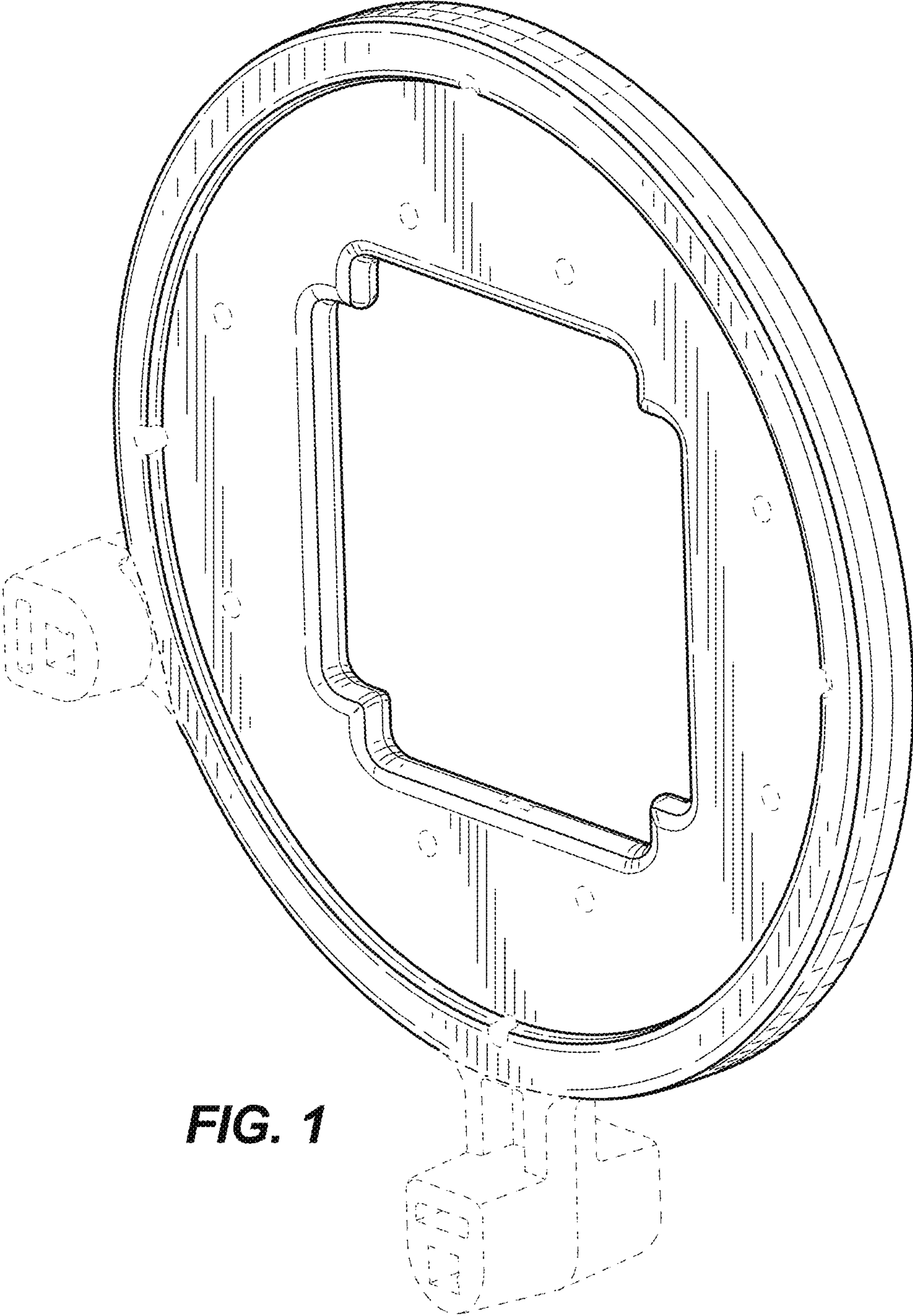


FIG. 1

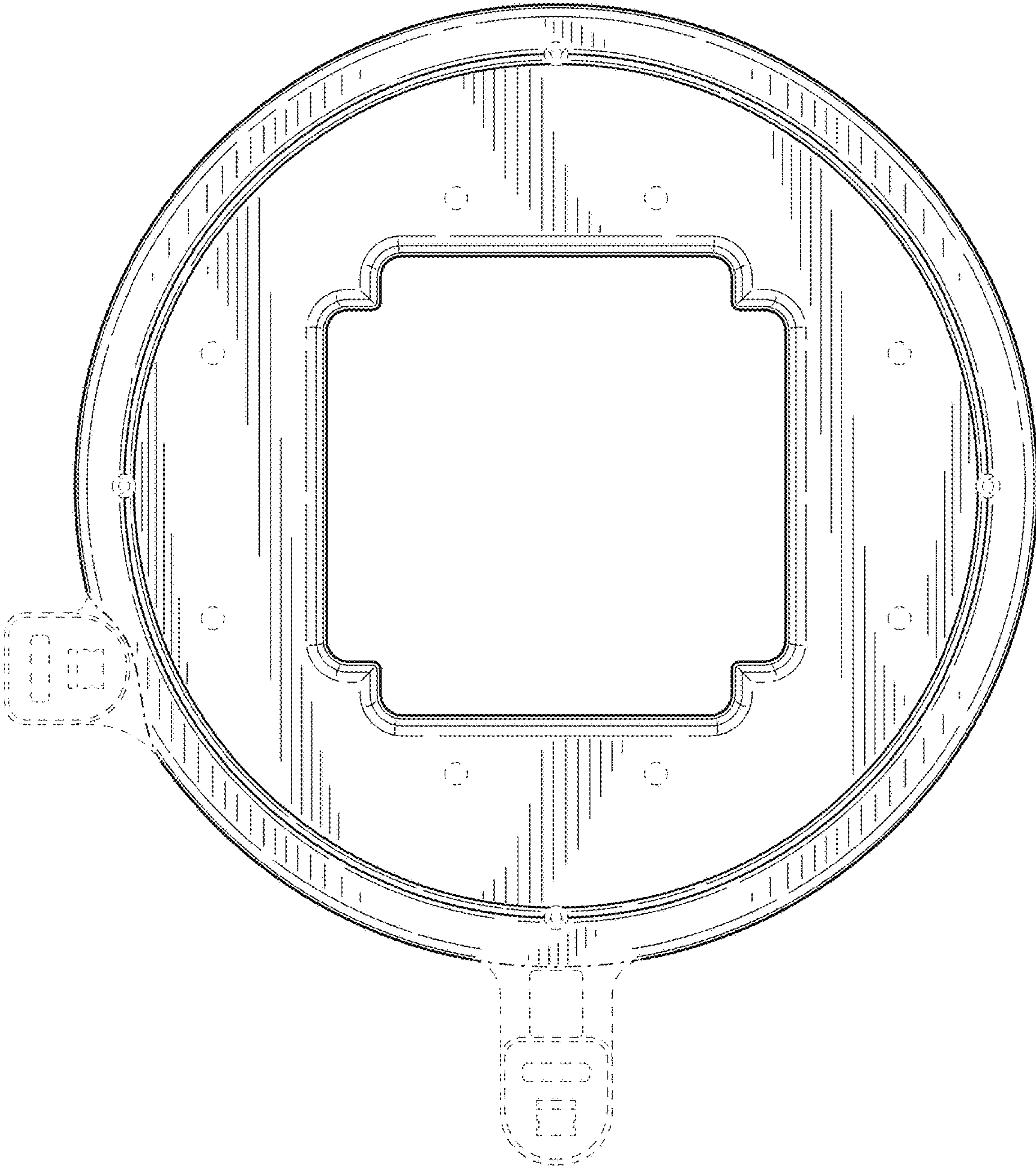


FIG. 2

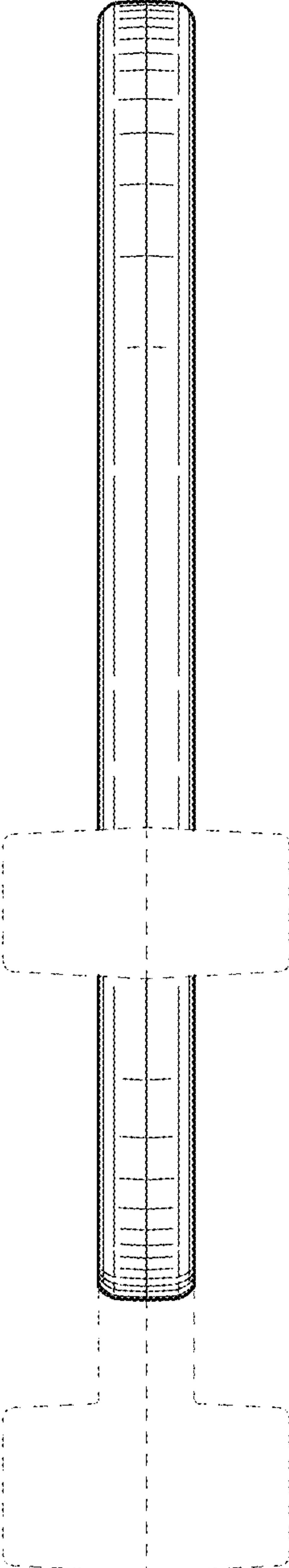


FIG. 3

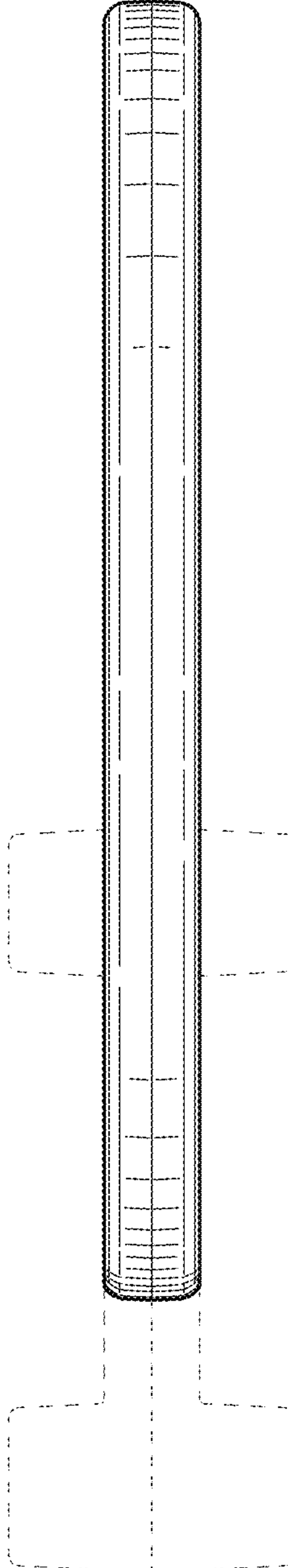


FIG. 4

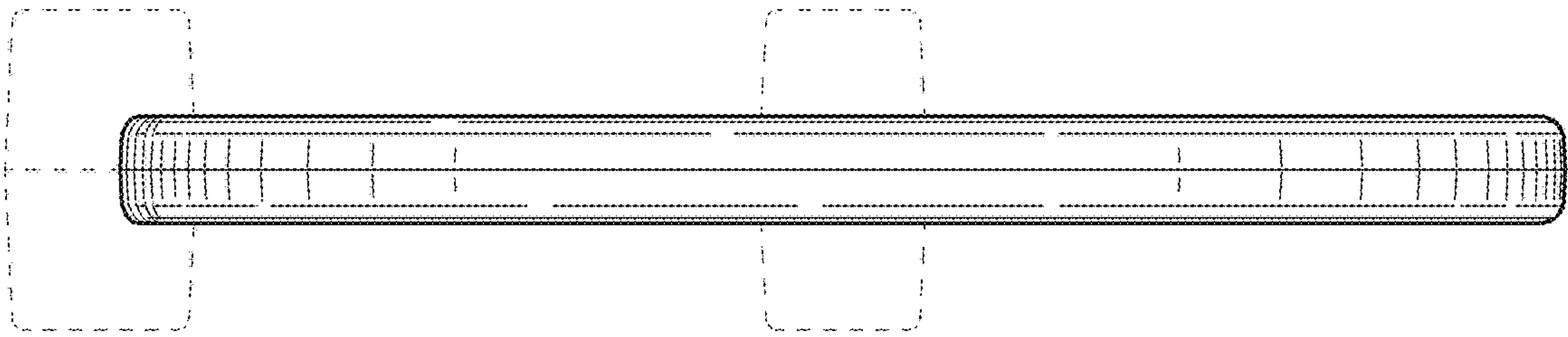


FIG. 5

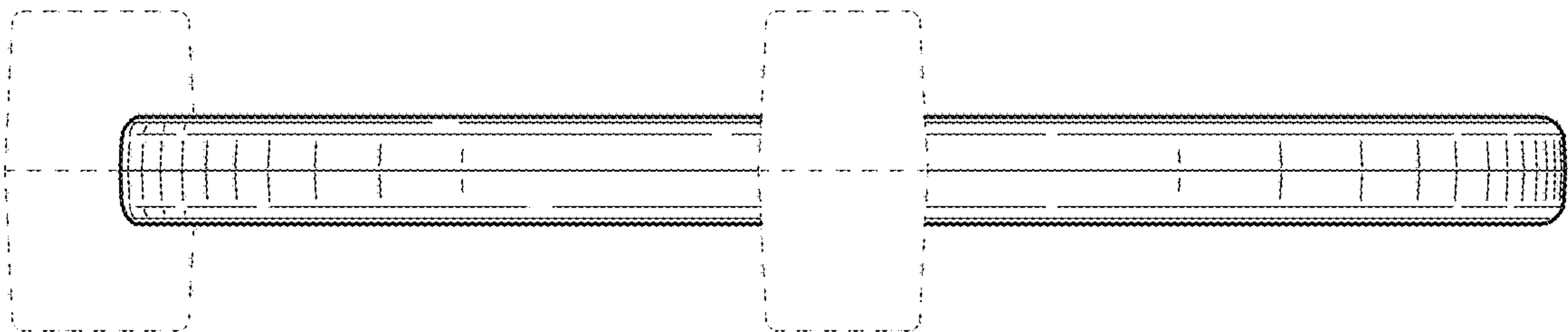


FIG. 6