



US00D828576S

(12) **United States Design Patent**
Nakagawa et al.

(10) **Patent No.:** **US D828,576 S**
(45) **Date of Patent:** **** Sep. 11, 2018**

(54) **COLUMN**

(71) Applicant: **Hitachi High-Technologies Corporation**, Minato-ku, Tokyo (JP)
(72) Inventors: **Hiroaki Nakagawa**, Tokyo (JP); **Kengo Muramatsu**, Yokohama (JP)
(73) Assignee: **Hitachi High-Technologies Corporation**, Tokyo (JP)

(**) Term: **15 Years**
(21) Appl. No.: **29/594,886**
(22) Filed: **Feb. 23, 2017**

(30) **Foreign Application Priority Data**

Aug. 29, 2016 (JP) 2016-018332

(51) **LOC (11) Cl.** **24-02**

(52) **U.S. Cl.**
USPC **D24/224; D10/81**

(58) **Field of Classification Search**
USPC D23/259, 262-266, 268; D8/382; 251/147-149; 285/39; D24/112, 129, D24/166, 232, 107-108, 165, 216, 231, D24/224; 96/105-107; 73/23.39; 422/70, 405; D10/81
CPC F16L 33/225; F16L 37/091; F16L 35/00; F16L 21/035; F16L 41/02; F16K 49/002; B01D 15/22; G01N 30/02; G01N 2030/022; G01N 2030/025; G01N 2030/027

See application file for complete search history.

(56) **References Cited**

U.S. PATENT DOCUMENTS

D254,445 S * 3/1980 Boghosian D24/224
D285,290 S * 8/1986 Shalon D10/81
4,719,011 A * 1/1988 Shalon B01D 15/14
210/198.2
D302,470 S * 7/1989 Wong D24/224

D303,710 S * 9/1989 Neill D23/262
D320,949 S * 10/1991 Kopf D10/81
D388,176 S * 12/1997 Lodge D24/224
D417,408 S * 12/1999 Rigoli D10/78
D426,165 S * 6/2000 Tuvim D10/78
6,387,256 B1 * 5/2002 Tuvim B01D 15/22
210/198.2
D465,283 S * 11/2002 Lodge D24/224
D500,856 S * 1/2005 Hellstrom D10/81
D600,579 S * 9/2009 Wounder D10/81
9,457,504 B2 * 10/2016 Beemer G01N 30/26

(Continued)

Primary Examiner — Eric L Goodman
Assistant Examiner — Amy C Wierenga
(74) *Attorney, Agent, or Firm* — Crowell & Moring LLP

(57) **CLAIM**

The ornamental design for a column, as shown and described.

DESCRIPTION

This application contains subject matter related to the following co-pending U.S. design patent applications:

Application Ser. No. 29/594,888, filed herewith and entitled “Column Pipe”; and
Application Ser. No. 29/694,889, filed herewith and entitled “Column End Cap”.

FIG. 1 is a front and top perspective view of a column according to the design;

FIG. 2 is a front elevational view thereof;

FIG. 3 is a right side elevational view thereof;

FIG. 4 is a top plan view thereof; and,

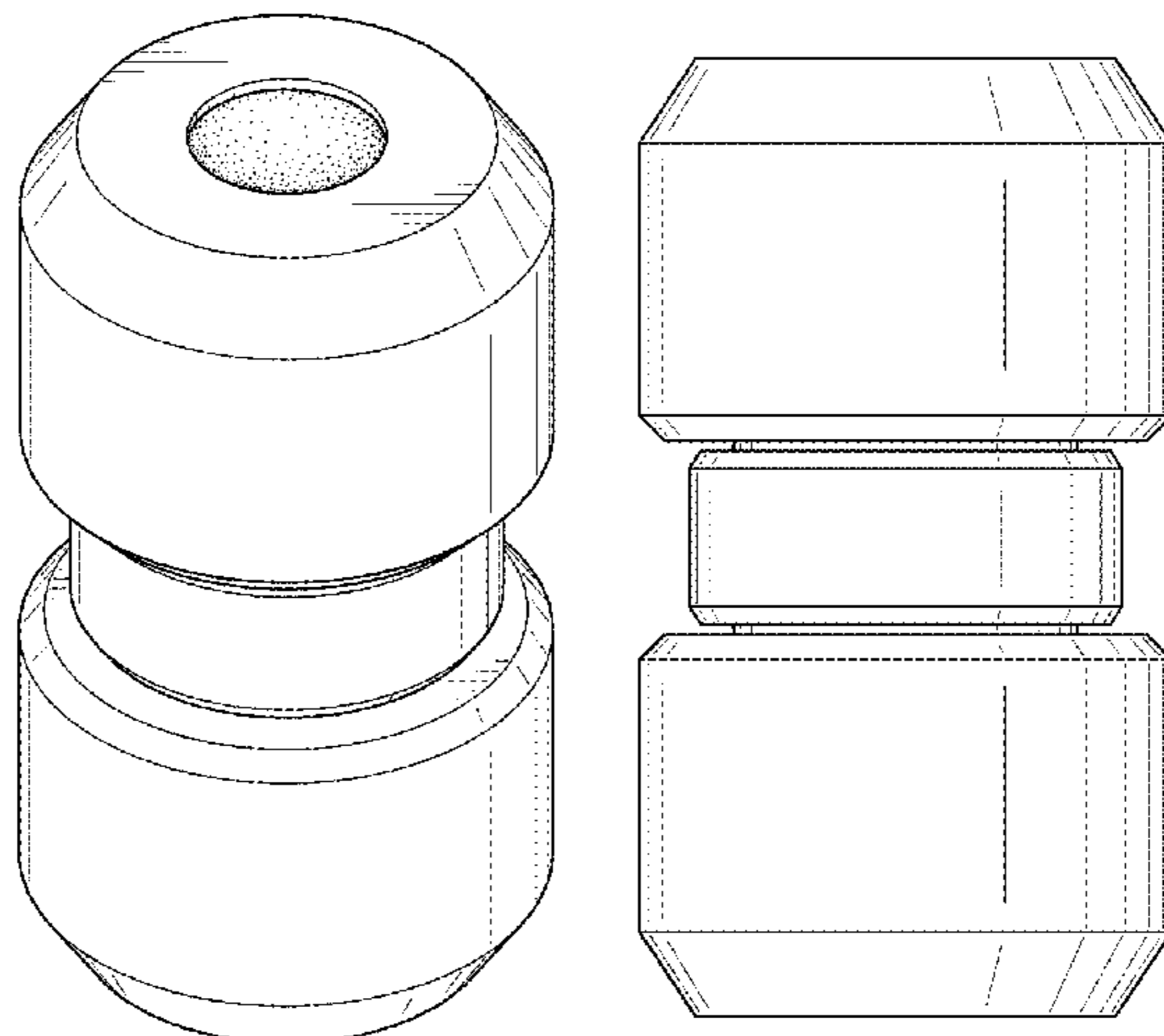
FIG. 5 is a cross-sectional view thereof taken along line 5-5 of FIG. 2.

A rear elevational view is the same as the front elevational view.

A left side elevational view is the same as the right side elevational view.

A bottom plan view is the same as the top plan view.

1 Claim, 2 Drawing Sheets



(56)

References Cited

U.S. PATENT DOCUMENTS

D773,621 S * 12/2016 Gill D23/259
2011/0094953 A1 * 4/2011 Doehren G01N 30/6026
210/198.2

* cited by examiner

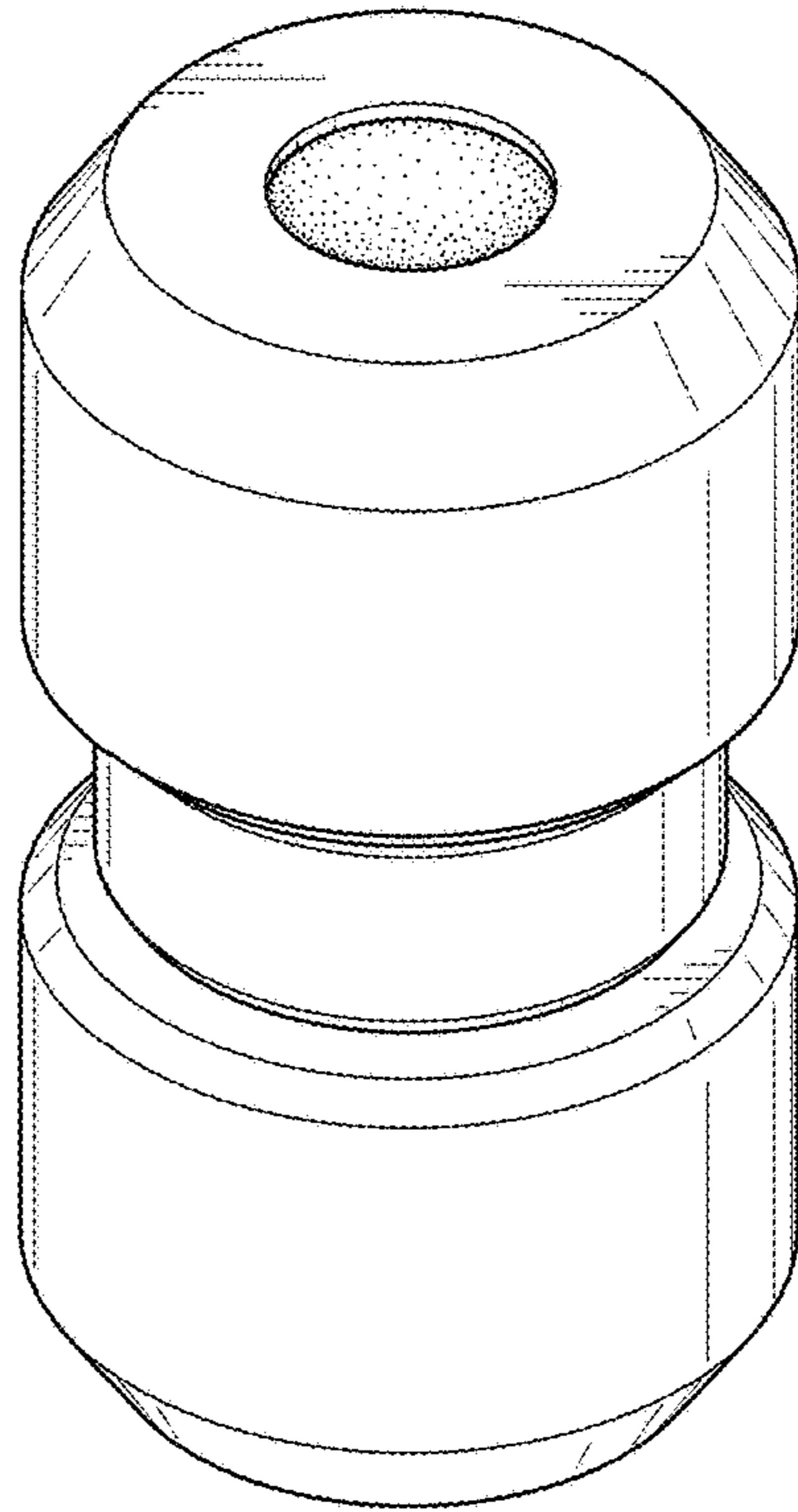


FIG. 1

5 ←

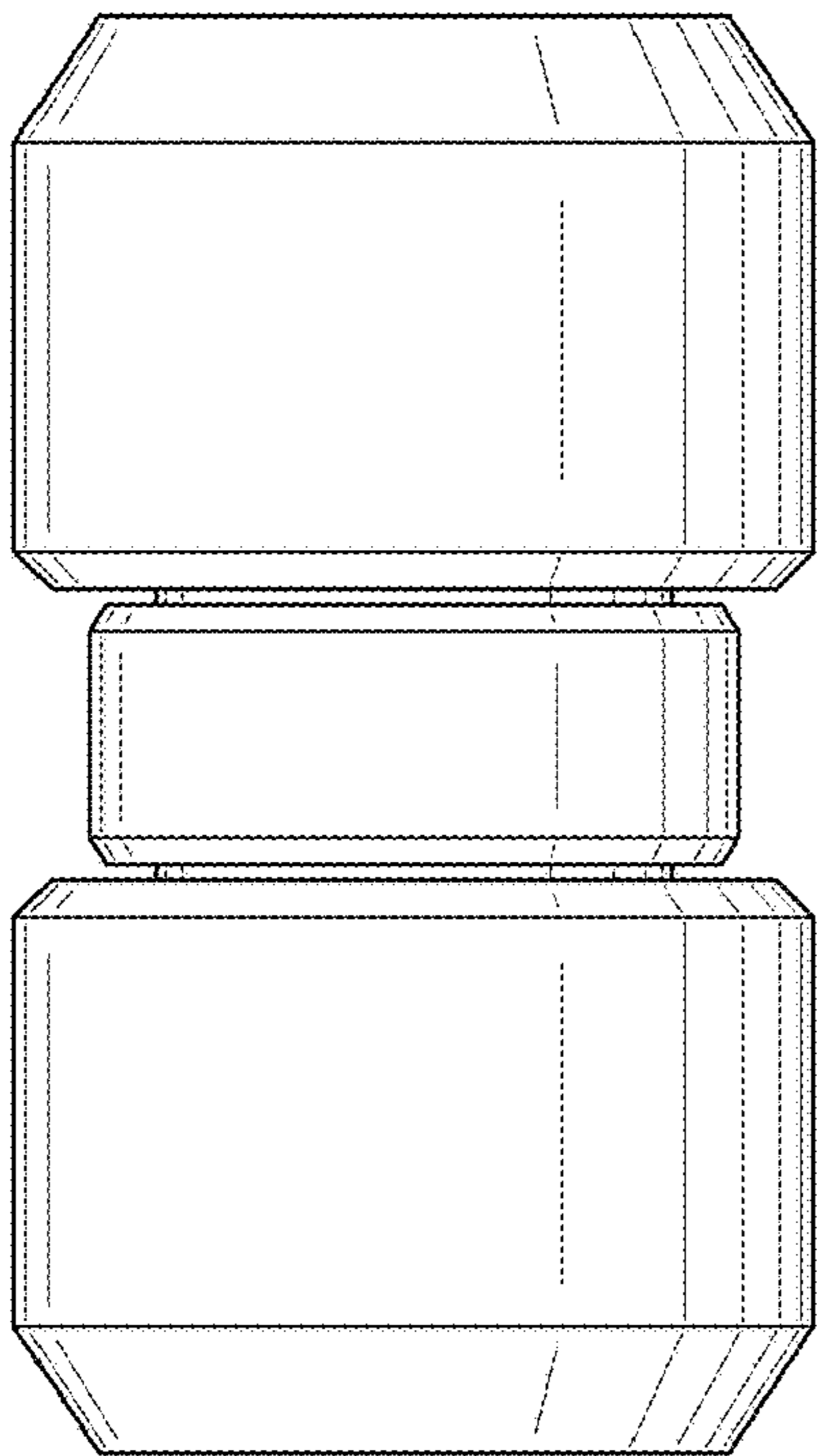


FIG. 2

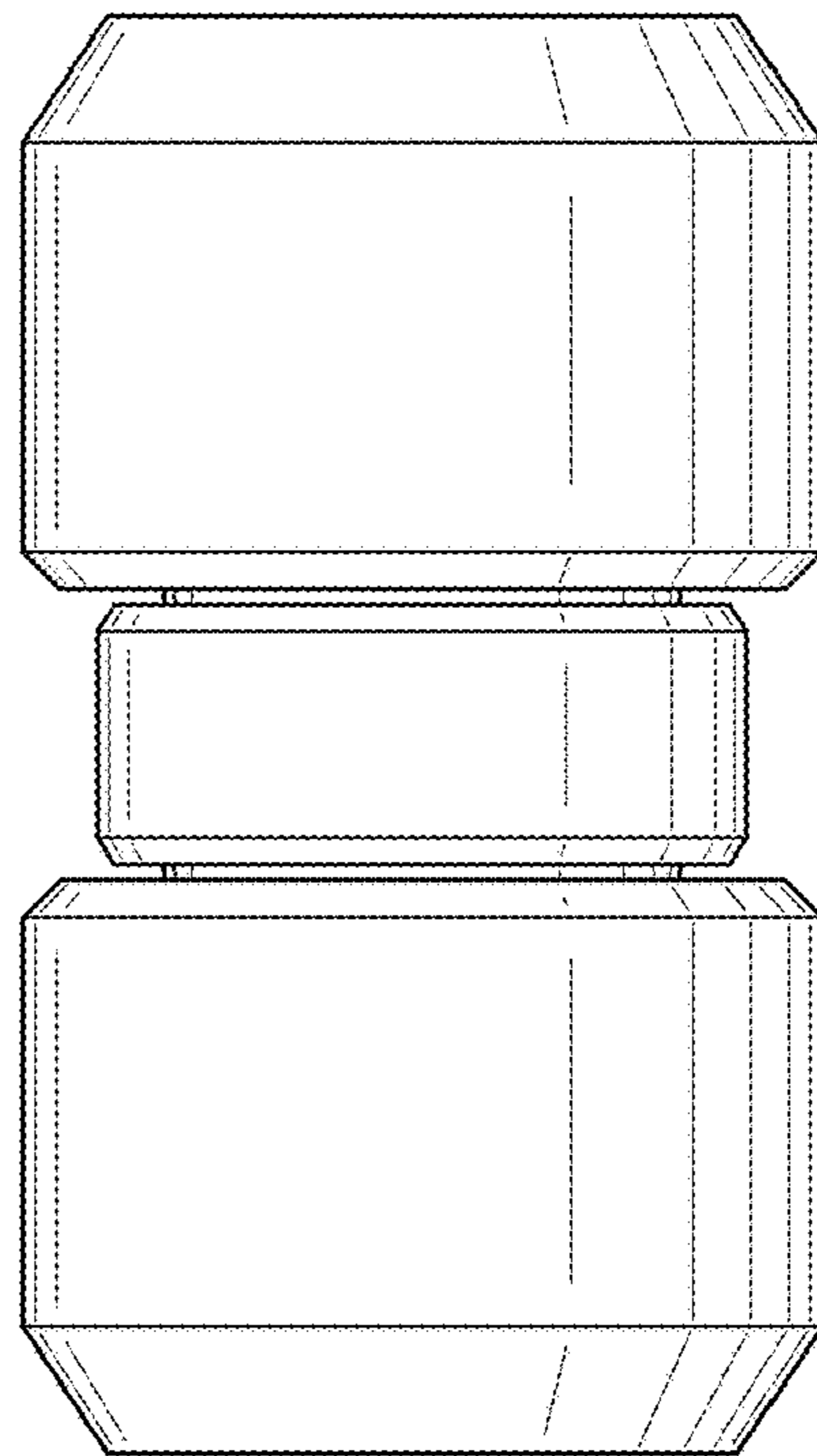


FIG. 3

5 ←

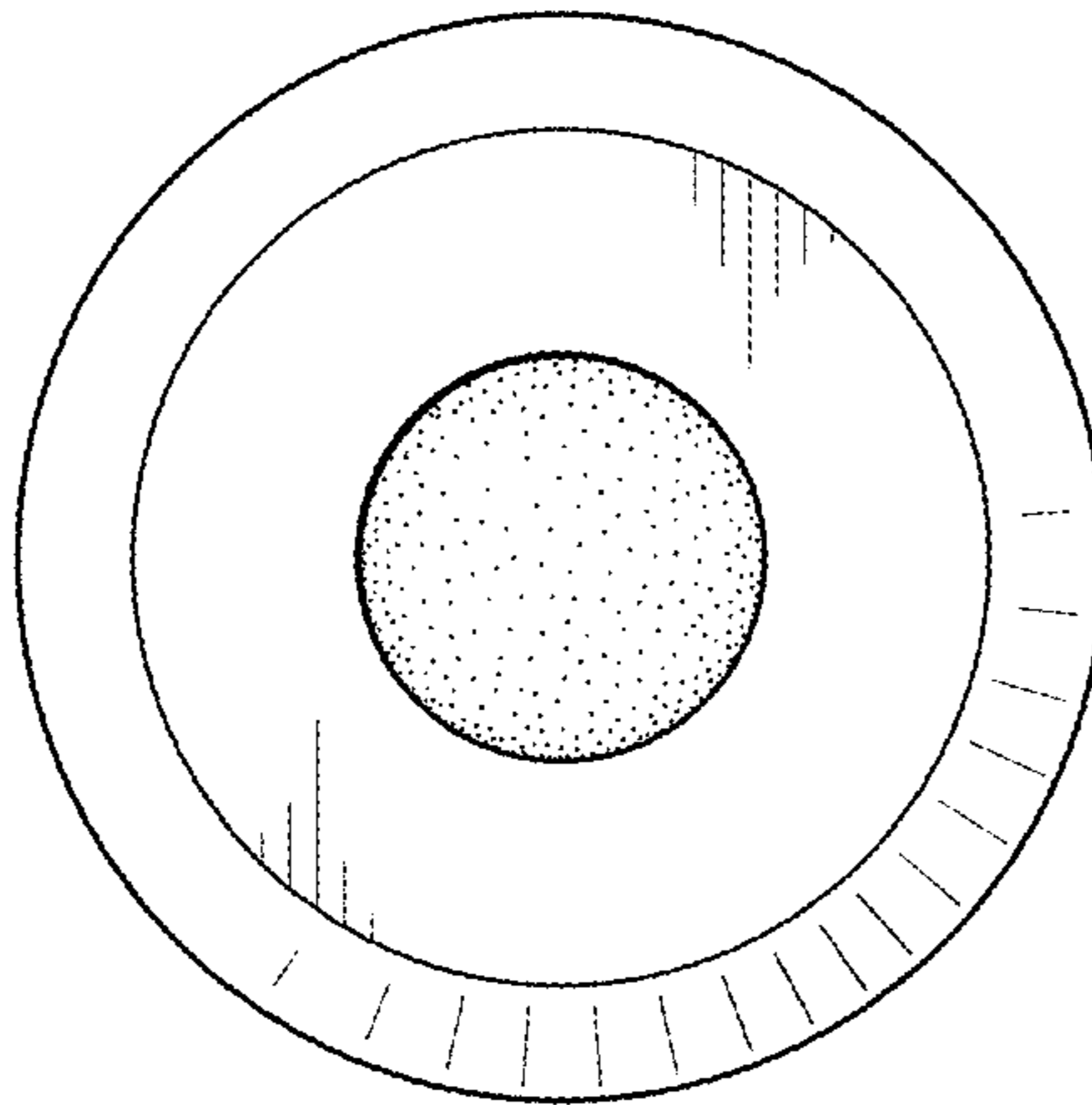


FIG. 4

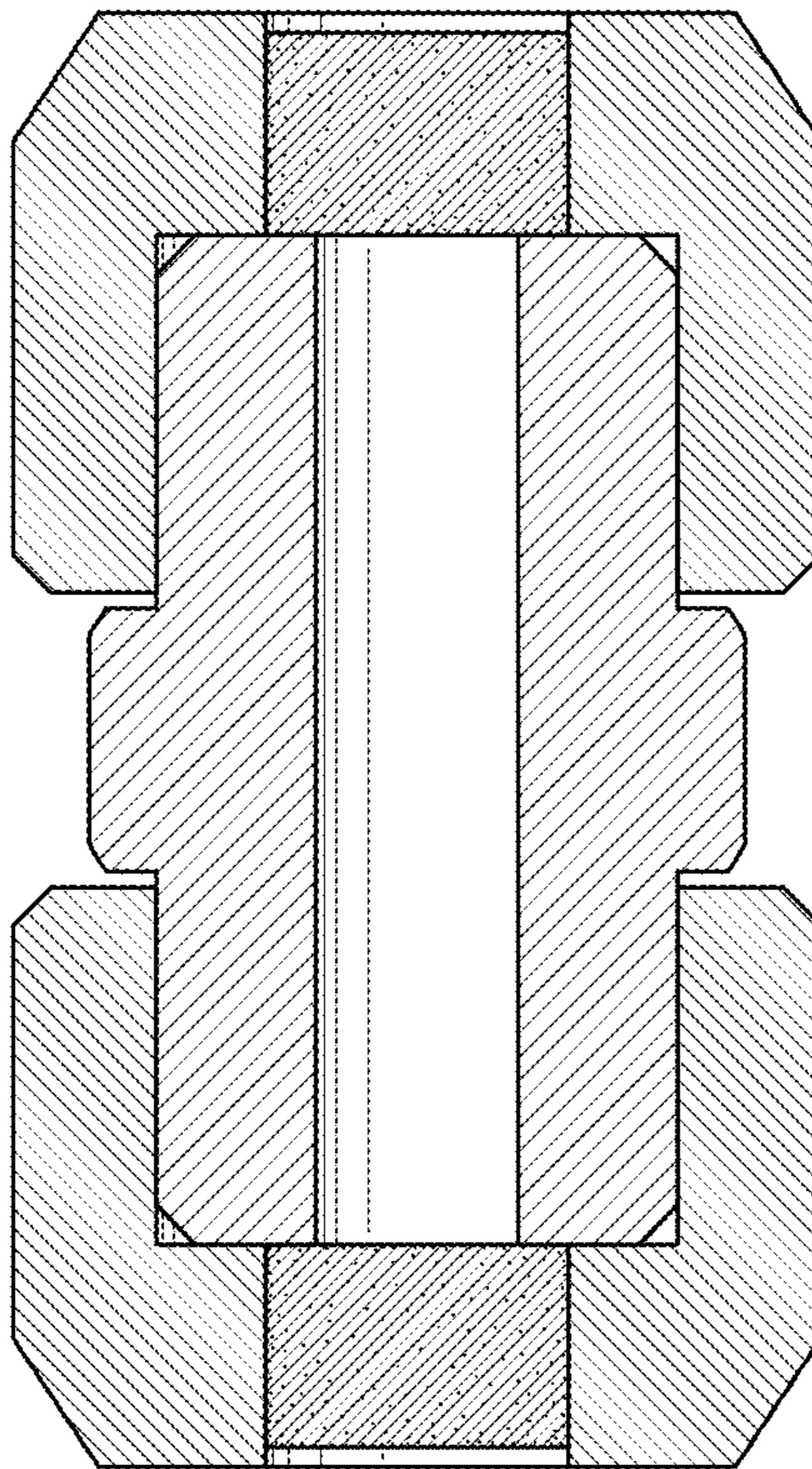


FIG. 5