



US00D828574S

(12) **United States Design Patent**
Fujiwara et al.

(10) **Patent No.:** **US D828,574 S**

(45) **Date of Patent:** **** Sep. 11, 2018**

(54) **ORAL CAVITY TESTING DEVICE**

6,335,203 B1 * 1/2002 Patel G01N 33/54366
422/404

(71) Applicant: **ARKRAY, Inc.**, Kyoto-shi, Kyoto (JP)

D584,975 S * 1/2009 Haberstroh D24/186

(72) Inventors: **Takaaki Fujiwara**, Kyoto (JP);
Kazuyoshi Kamekawa, Kyoto (JP)

D597,216 S * 7/2009 McGuigan D24/216

D647,621 S * 10/2011 Lee D24/186

D675,336 S * 1/2013 Laverack D24/223

D709,209 S * 7/2014 Shibata D24/216

D717,459 S * 11/2014 Lin D24/216

D746,999 S * 1/2016 Jonsson D24/216

D759,253 S * 6/2016 Bar-Or D24/186

(73) Assignee: **ARKRAY, INC.**, Kyoto (JP)

(**) Term: **15 Years**

* cited by examiner

(21) Appl. No.: **29/553,145**

Primary Examiner — Anhdao Doan

(22) Filed: **Jan. 28, 2016**

(74) *Attorney, Agent, or Firm* — Knobbe, Martens, Olson
& Bear LLP

(30) **Foreign Application Priority Data**

Sep. 18, 2015 (JP) 2015-020828

(51) **LOC (11) Cl.** **24-01**

(52) **U.S. Cl.**

USPC **D24/216**; D24/186

(58) **Field of Classification Search**

USPC D24/216, 223, 224, 231, 232, 233, 169,
D24/186, 176; D10/81

CPC ... G01N 35/00029; G01N 2035/00108; G01N
21/8483; G01N 33/4875; G01N
2035/00306; G01N 33/56955; B01L
2300/0825; B01L 2400/0481

See application file for complete search history.

(56) **References Cited**

U.S. PATENT DOCUMENTS

D369,216 S * 4/1996 Micinski D24/186

D371,440 S * 7/1996 Petersen D24/186

(57) **CLAIM**

The ornamental design for an oral cavity testing device, as shown and described.

DESCRIPTION

FIG. 1 is a perspective view of an oral cavity testing device according to our new design.

FIG. 2 is a front elevational view thereof.

FIG. 3 is a rear elevational view thereof.

FIG. 4 is a left side elevational view thereof.

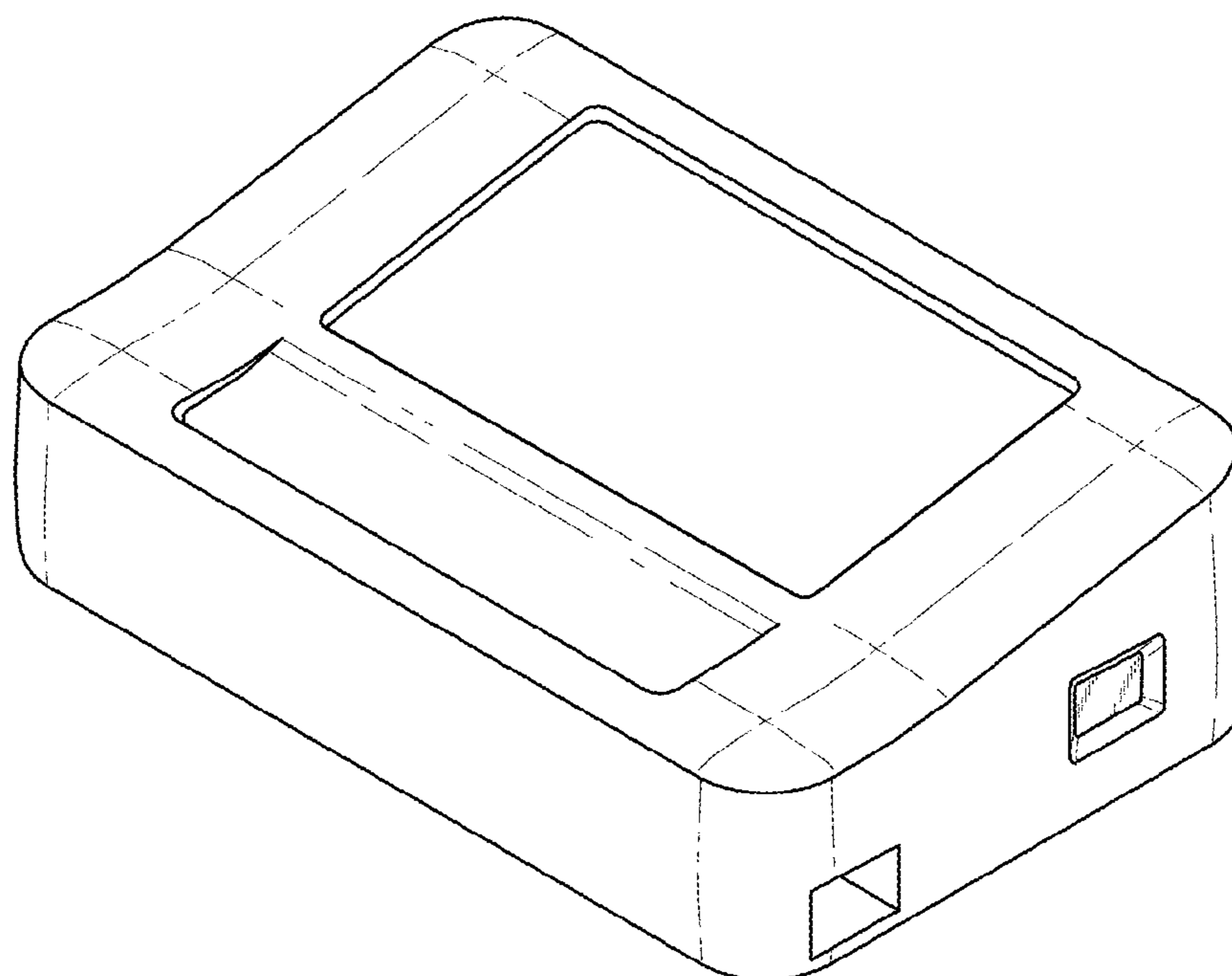
FIG. 5 is a right side elevational view thereof.

FIG. 6 is a top plan view thereof; and,

FIG. 7 is a bottom plan view thereof.

The broken lines in the drawings illustrate the portions of the oral cavity testing device that form no part of the claim.

1 Claim, 5 Drawing Sheets



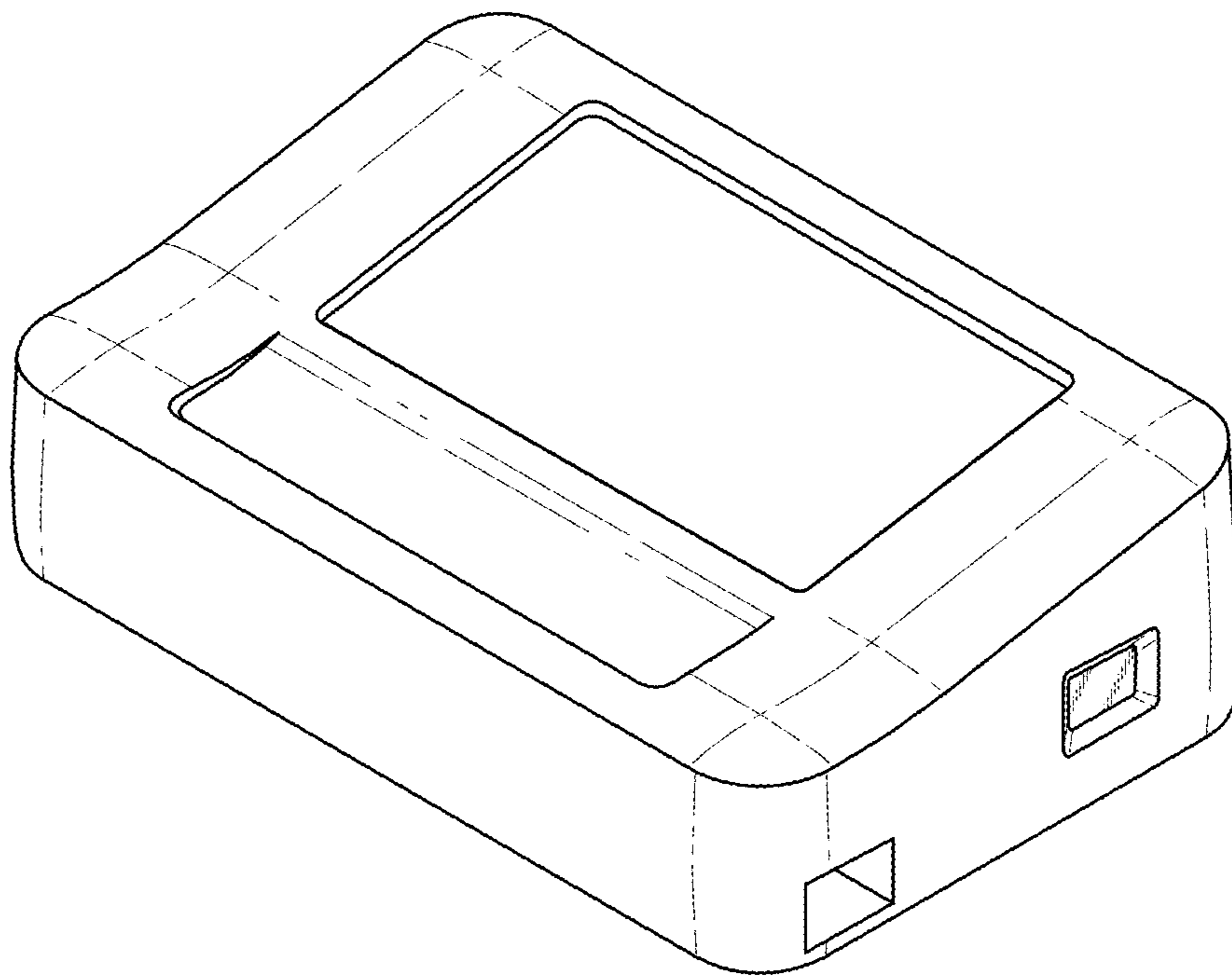


FIG. 1

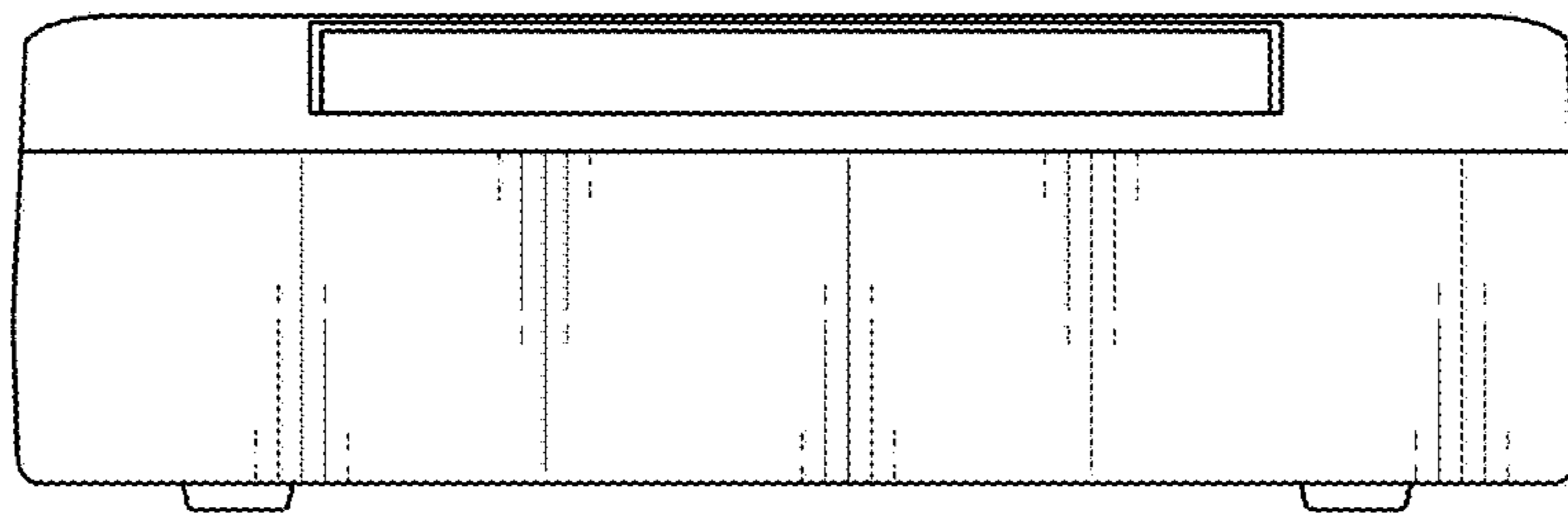


FIG. 2

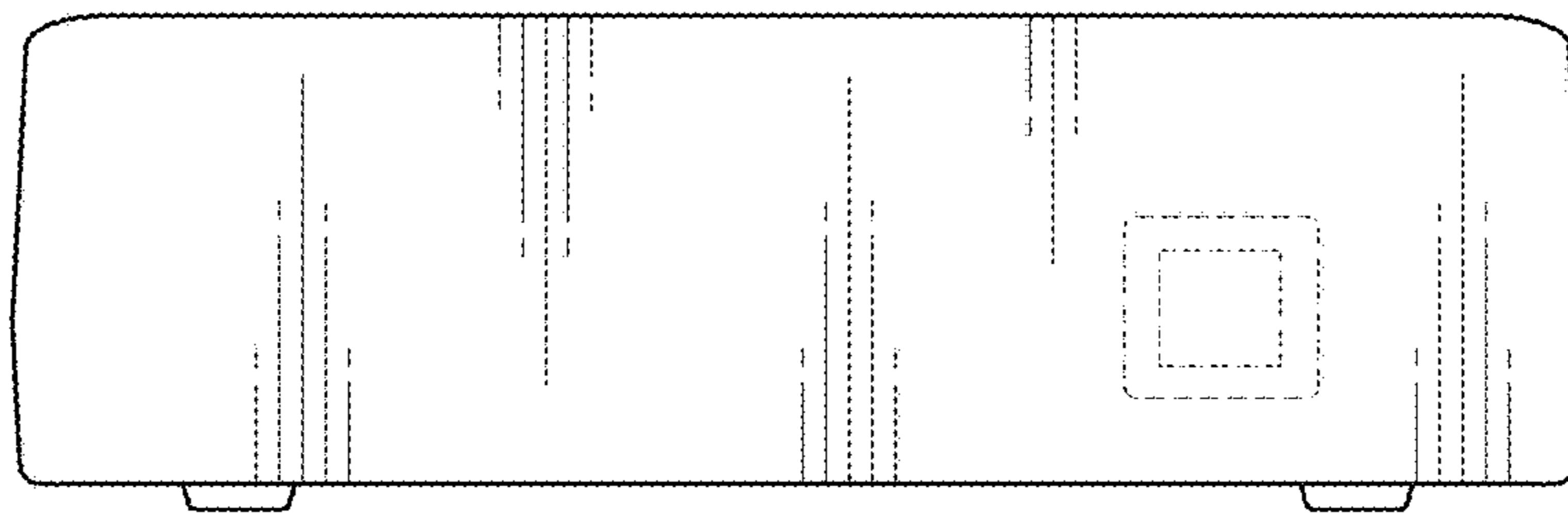


FIG. 3

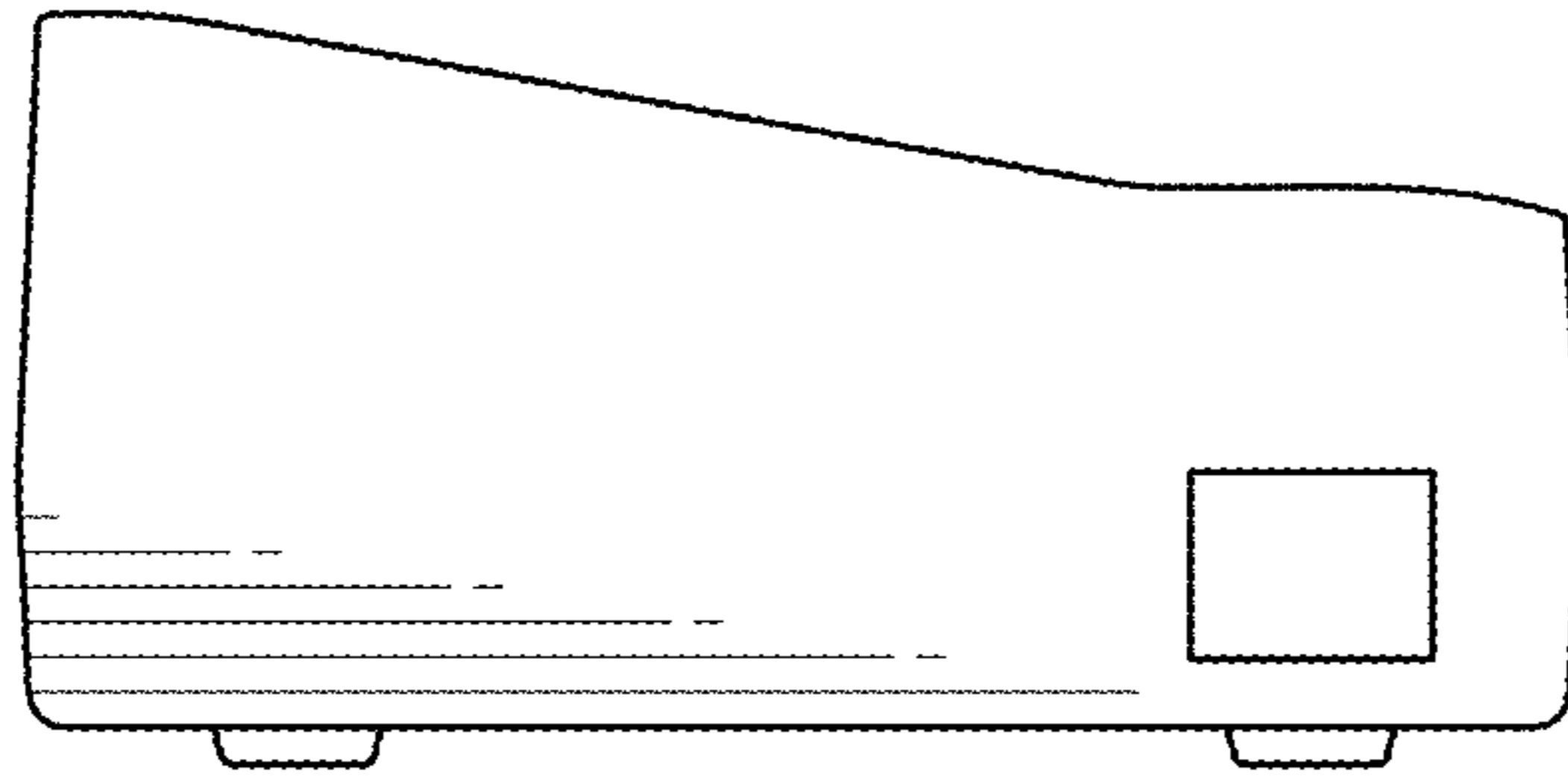


FIG. 4

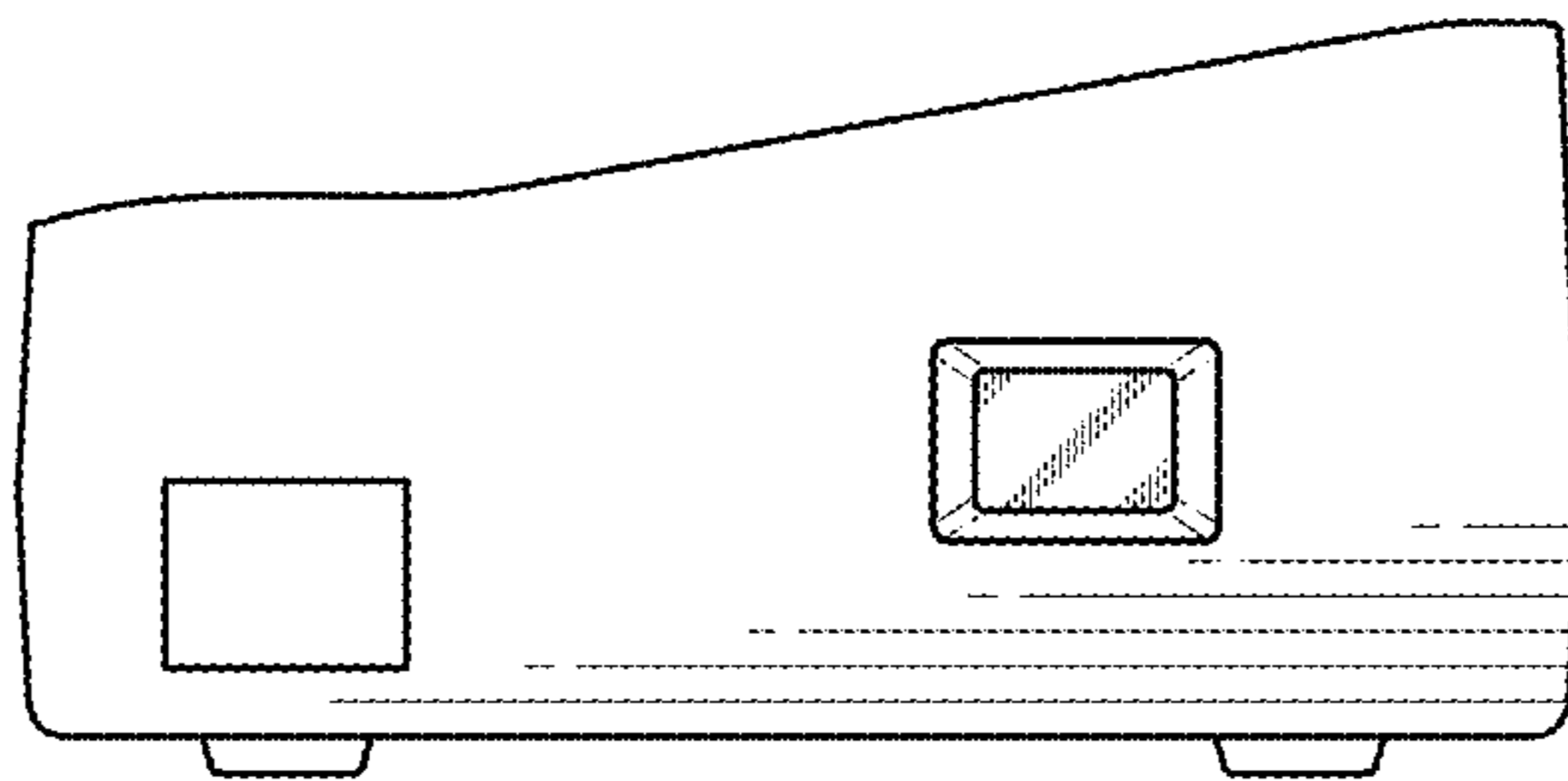


FIG. 5

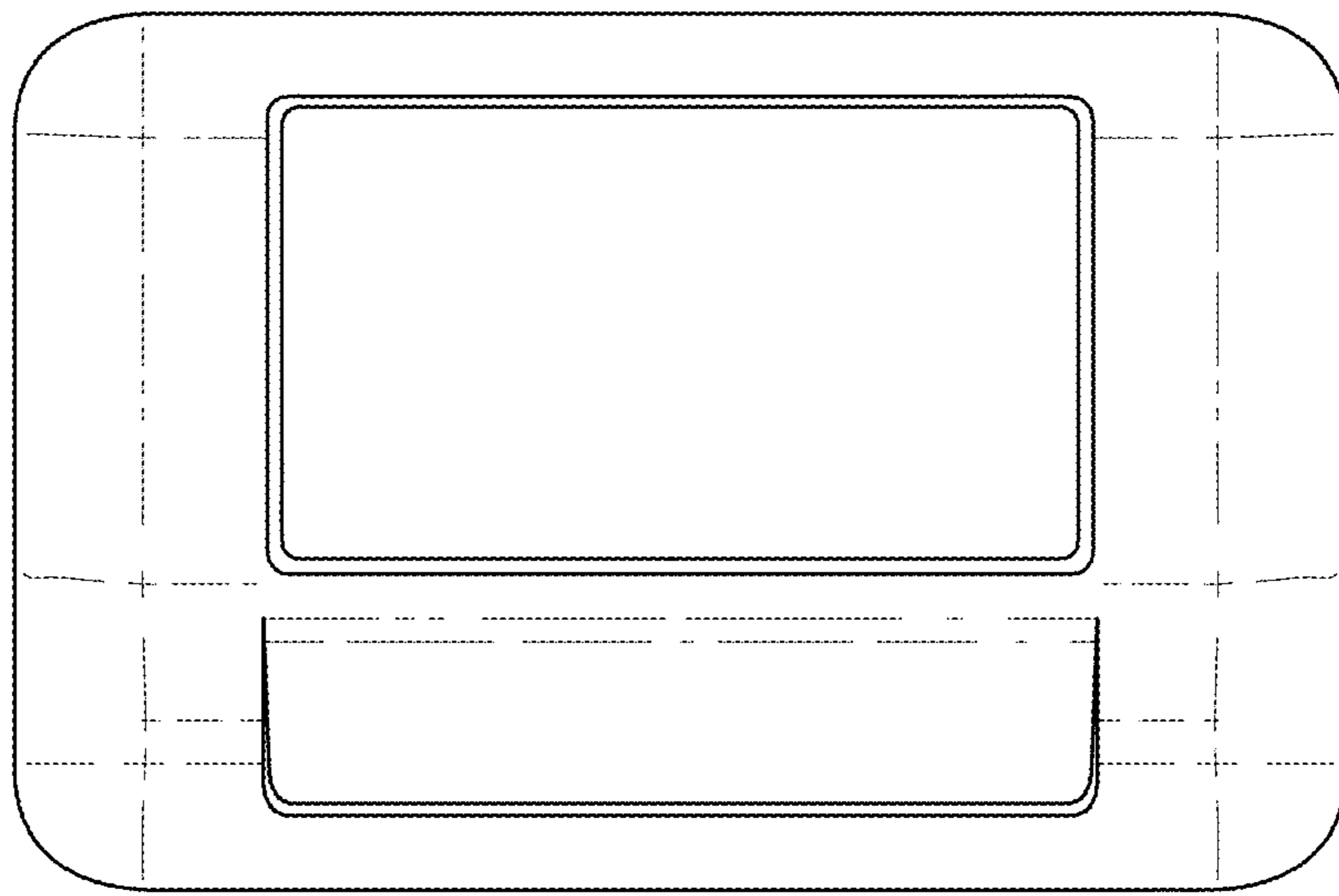


FIG. 6

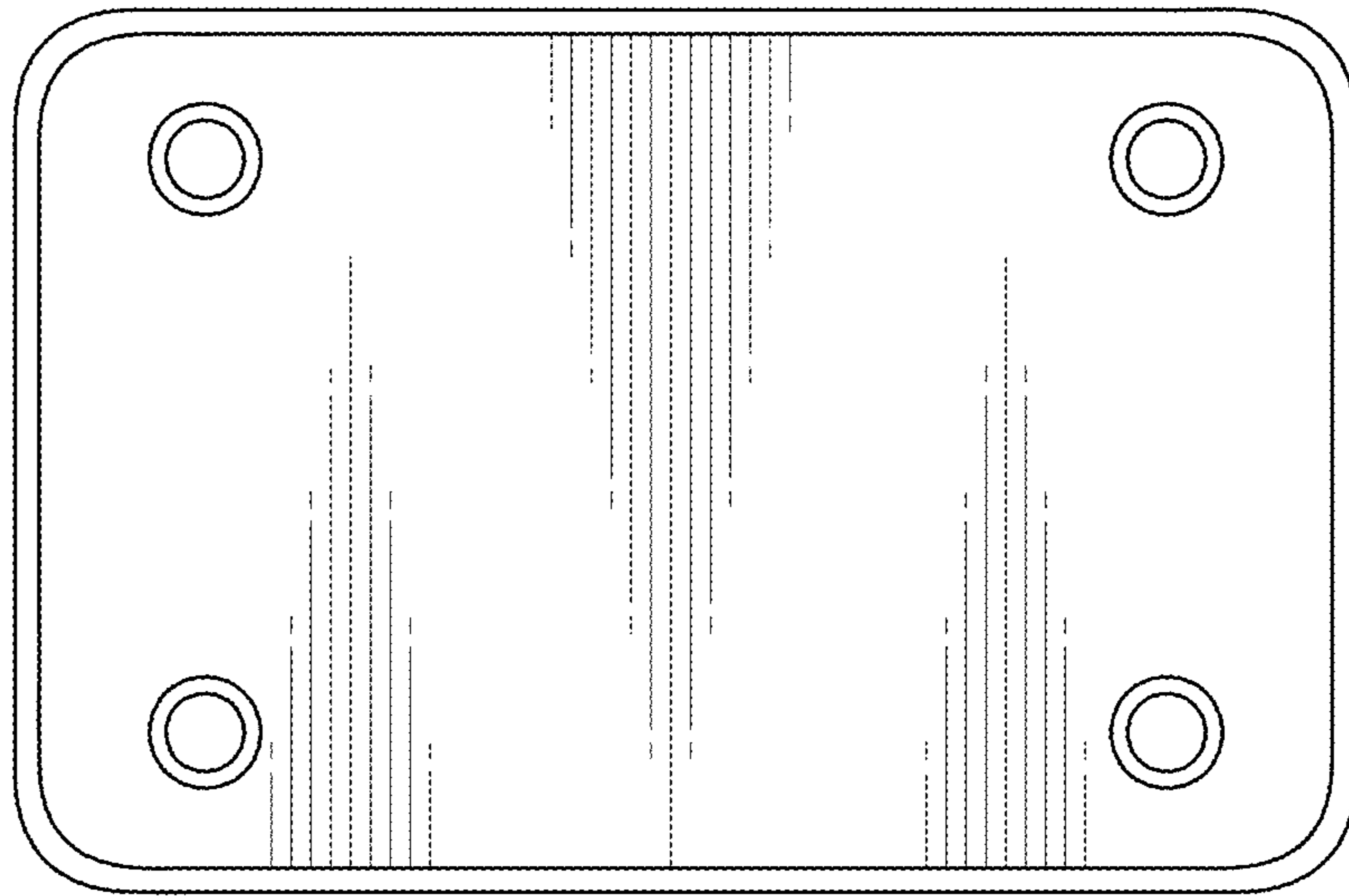


FIG. 7