



US00D828572S

(12) **United States Design Patent** (10) **Patent No.:** **US D828,572 S**  
**Lieberman et al.** (45) **Date of Patent:** **\*\* Sep. 11, 2018**

(54) **FINGER VIBRATOR**  
(71) Applicant: **Mating Components, LLC**, Brooklyn, NY (US)  
(72) Inventors: **Janet Lieberman**, Brooklyn, NY (US); **Josh Nalven**, Brooklyn, NY (US); **David Block**, Brooklyn, NY (US); **Alexandra Fine**, Brooklyn, NY (US); **Amanda Couto**, Pembroke Pines, FL (US)

4,308,860 A \* 1/1982 Sanders ..... A46B 1/00  
15/227  
D530,019 S \* 10/2006 Crunick ..... D24/211  
D676,566 S \* 2/2013 Tucker ..... D24/214  
D725,283 S \* 3/2015 Sedic ..... D24/215  
D788,935 S \* 6/2017 Fine ..... A61H 19/50  
D24/215  
2014/0194791 A1\* 7/2014 Tai ..... A61H 23/02  
601/46

(\*\*) Term: **15 Years**

\* cited by examiner

*Primary Examiner* — Sandra Snapp  
(74) *Attorney, Agent, or Firm* — Roy L. Chan, A  
Professional Law Corporation; Roy Chan

(21) Appl. No.: **29/584,956**

(22) Filed: **Nov. 18, 2016**

**Related U.S. Application Data**

(57) **CLAIM**

(63) Continuation of application No. 15/341,503, filed on Nov. 2, 2016.

The ornamental design for a finger vibrator, as shown and described.

(51) **LOC (11) Cl.** ..... **28-03**

(52) **U.S. Cl.**  
USPC ..... **D24/215**

(58) **Field of Classification Search**  
USPC ..... D24/200, 211, 212, 213, 214, 215;  
601/19, 22, 40, 46, 52, 63, 99, 110, 111,  
601/112, 113, 118, 119, 120, 125  
CPC ..... A61H 1/00; A61H 2015/0007; A61H  
2015/0014; A61H 2015/0042; A61H  
15/00; A61H 11/00; A61H 21/00; A61H  
37/00

**DESCRIPTION**

See application file for complete search history.

FIG. 1 is a top, front and right perspective view of a finger vibrator showing our new design;  
FIG. 2 is a top, back and left perspective view thereof;  
FIG. 3 is a top, front and left exploded view thereof;  
FIG. 4 is a top plan view thereof;  
FIG. 5 is a bottom plan view thereof;  
FIG. 6 is a right elevational view thereof;  
FIG. 7 is a left elevational view thereof;  
FIG. 8 is a front elevational view thereof; and,  
FIG. 9 is a back elevational view thereof.  
The broken lines in the figures illustrate unclaimed environment and form no part of the claimed design.

(56) **References Cited**

**U.S. PATENT DOCUMENTS**

2,286,089 A \* 6/1942 Harris ..... A61H 23/02  
601/72  
3,623,481 A \* 11/1971 Curran ..... A61H 23/0263  
601/136

**1 Claim, 8 Drawing Sheets**

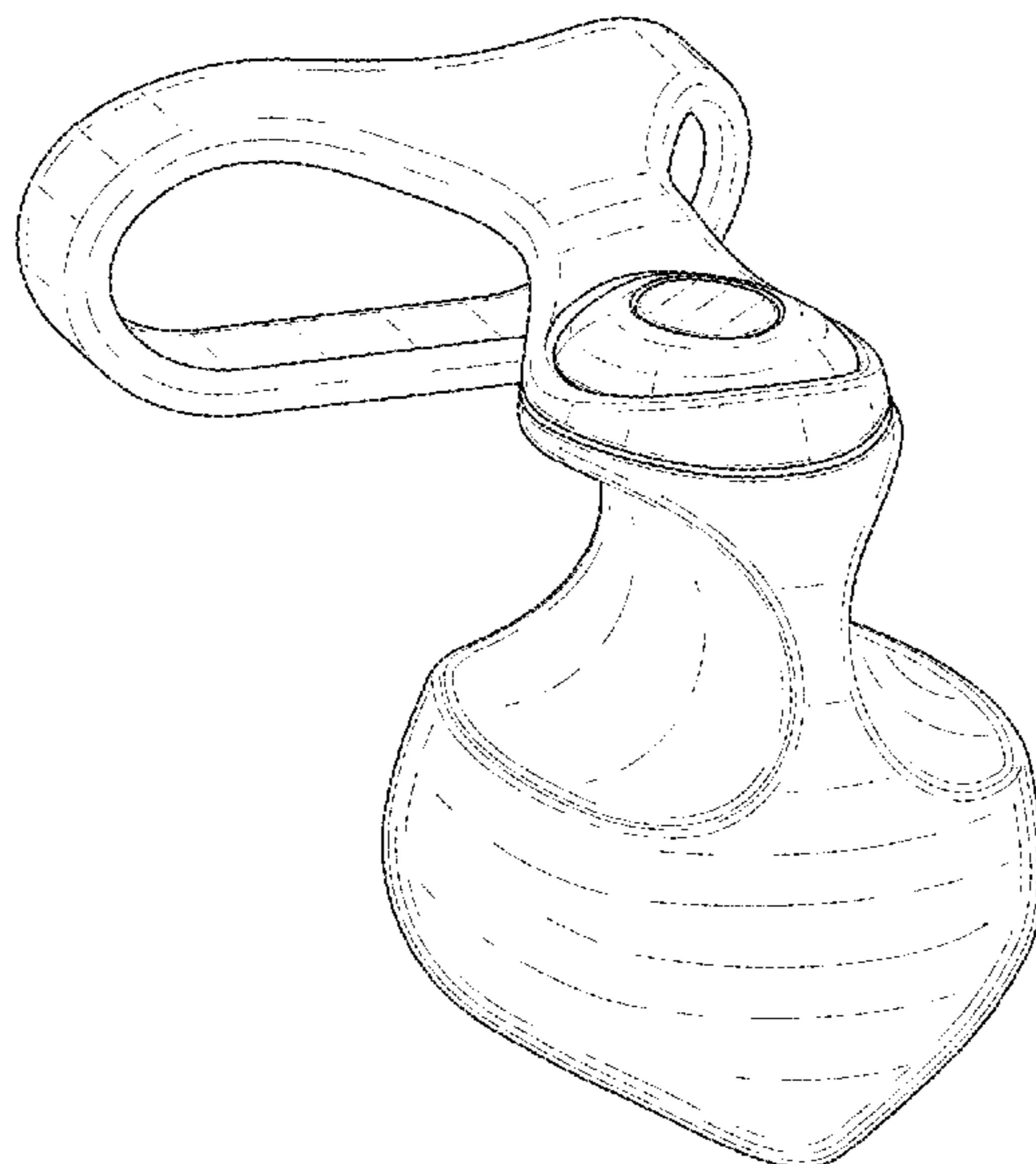




FIG. 1

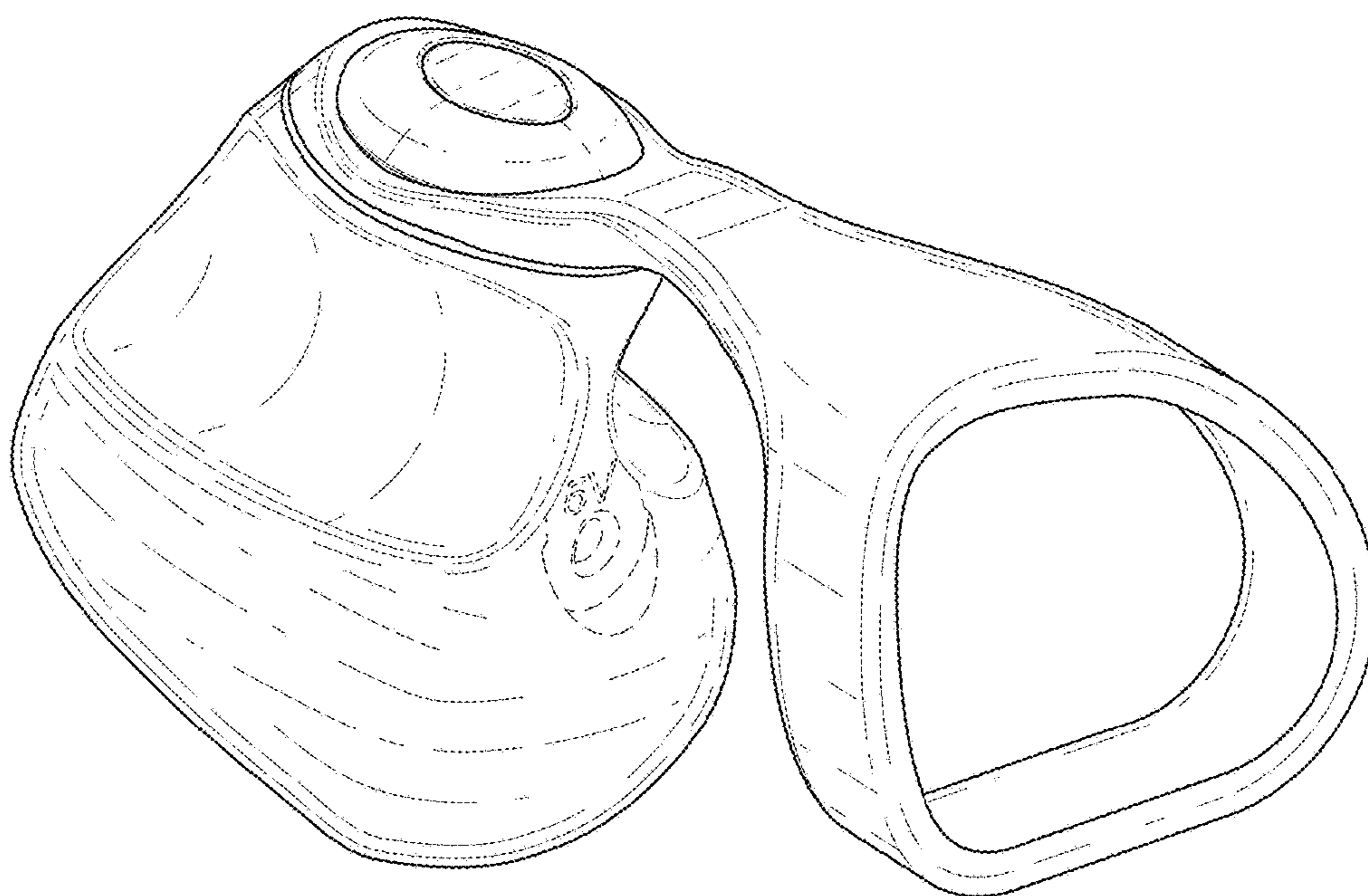


FIG. 2

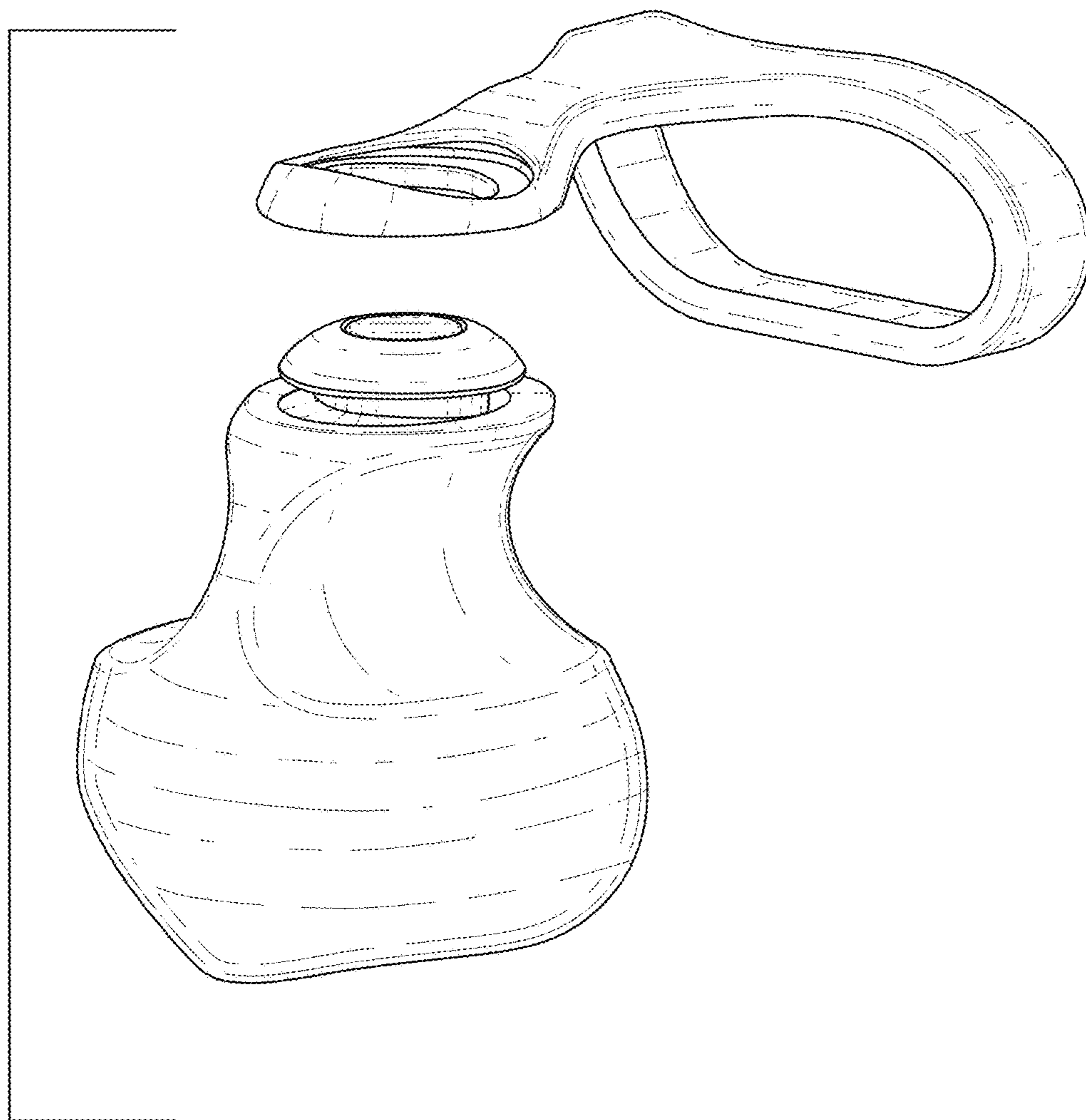
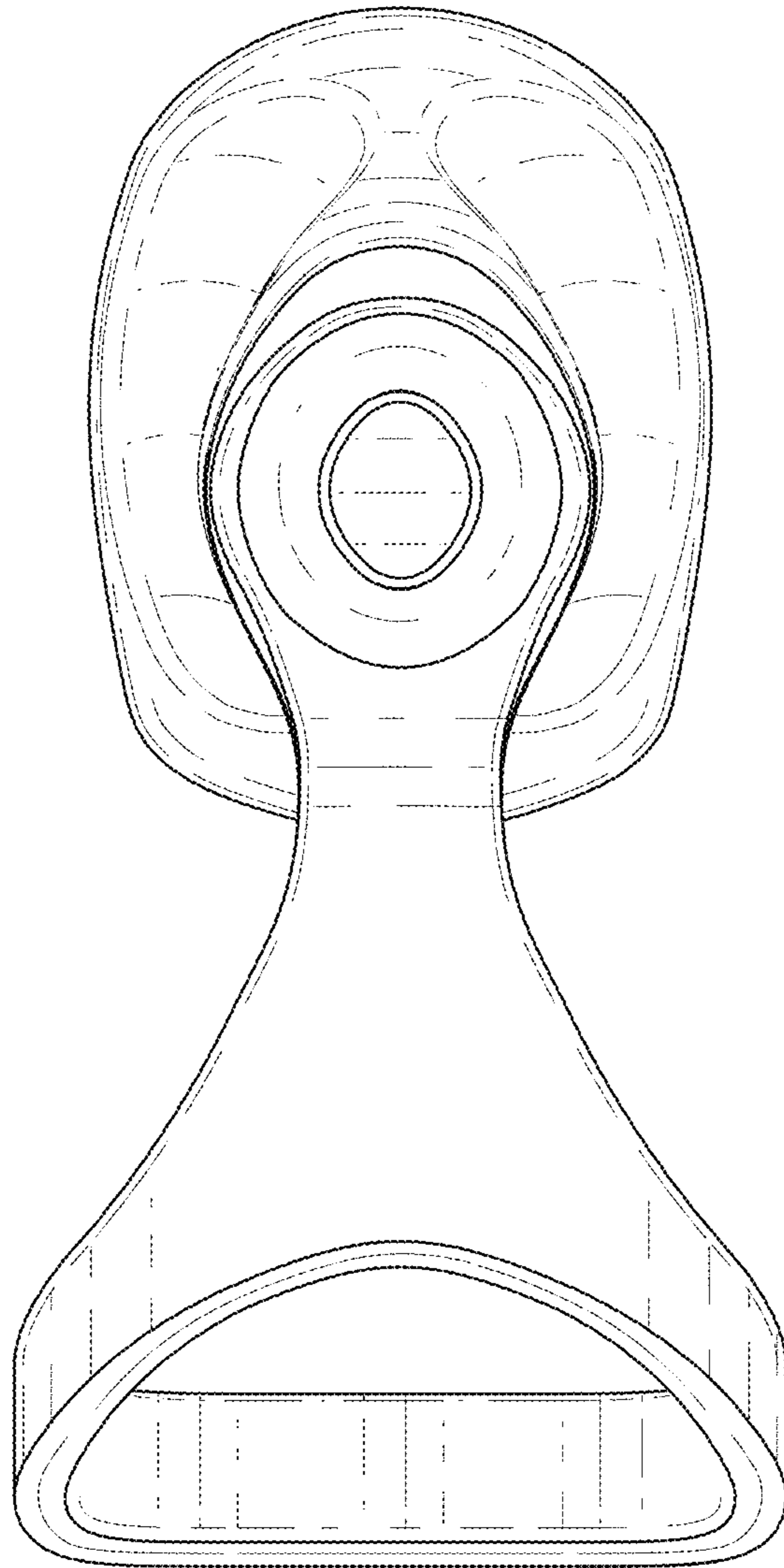
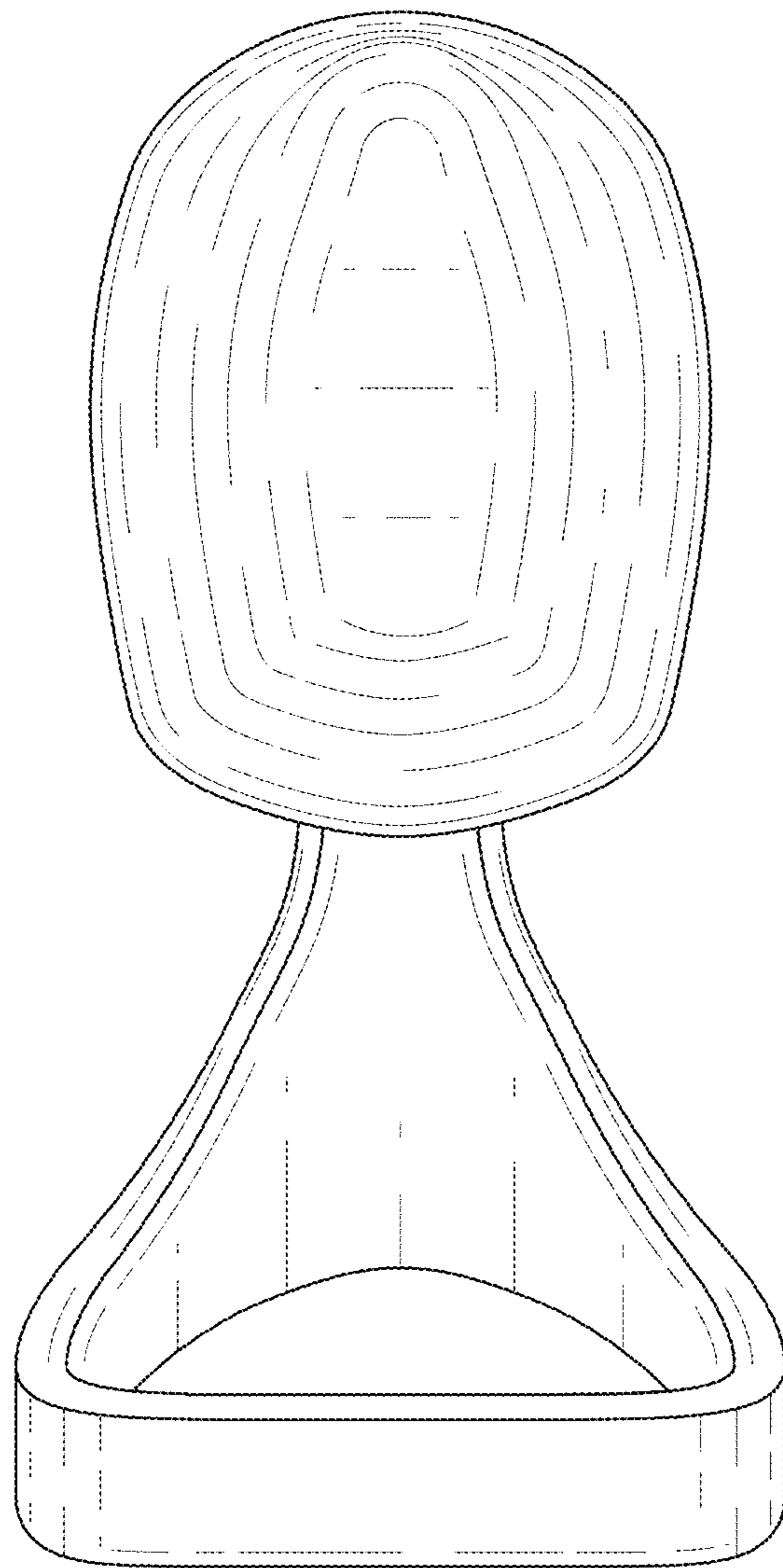


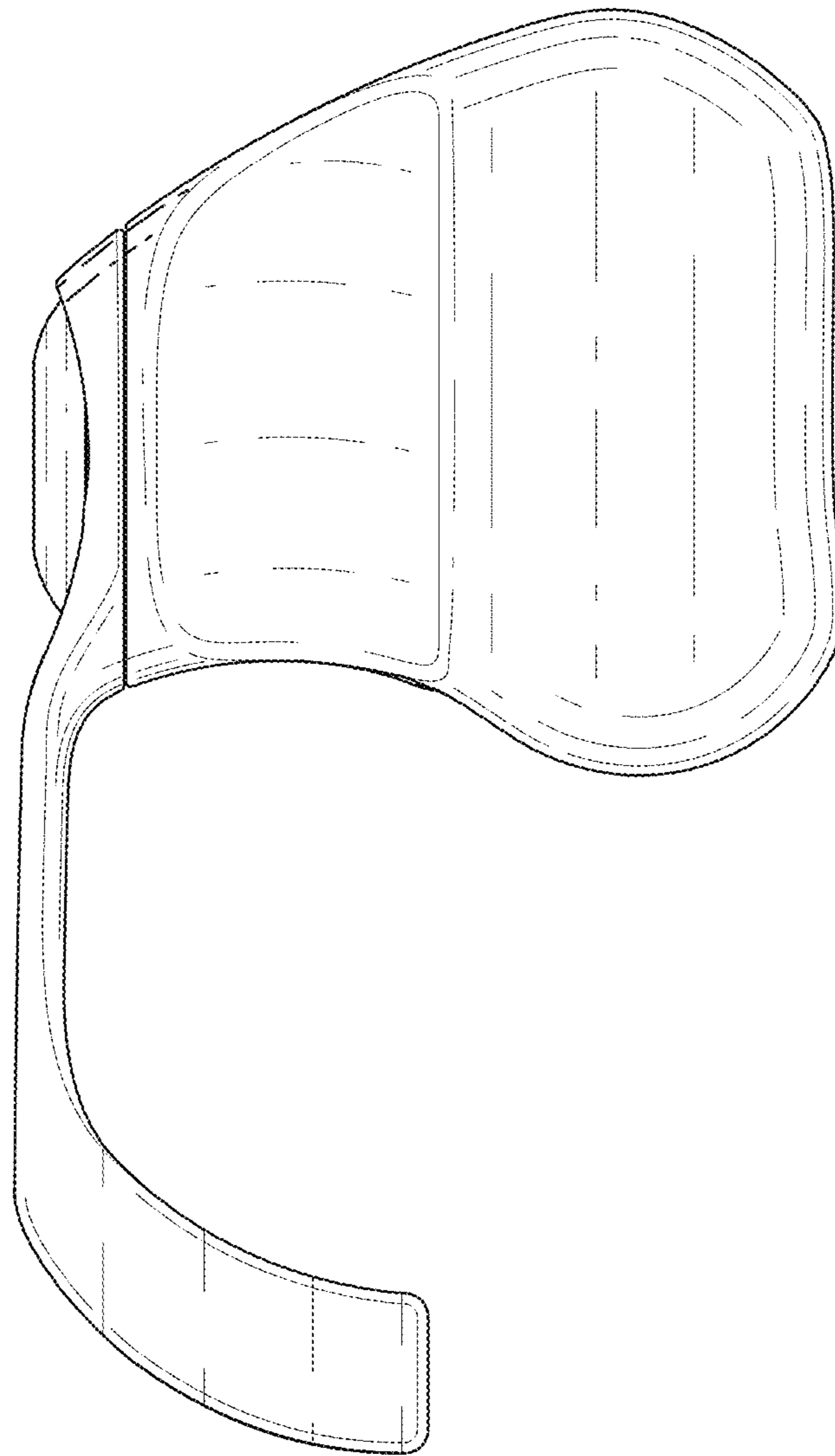
FIG. 3



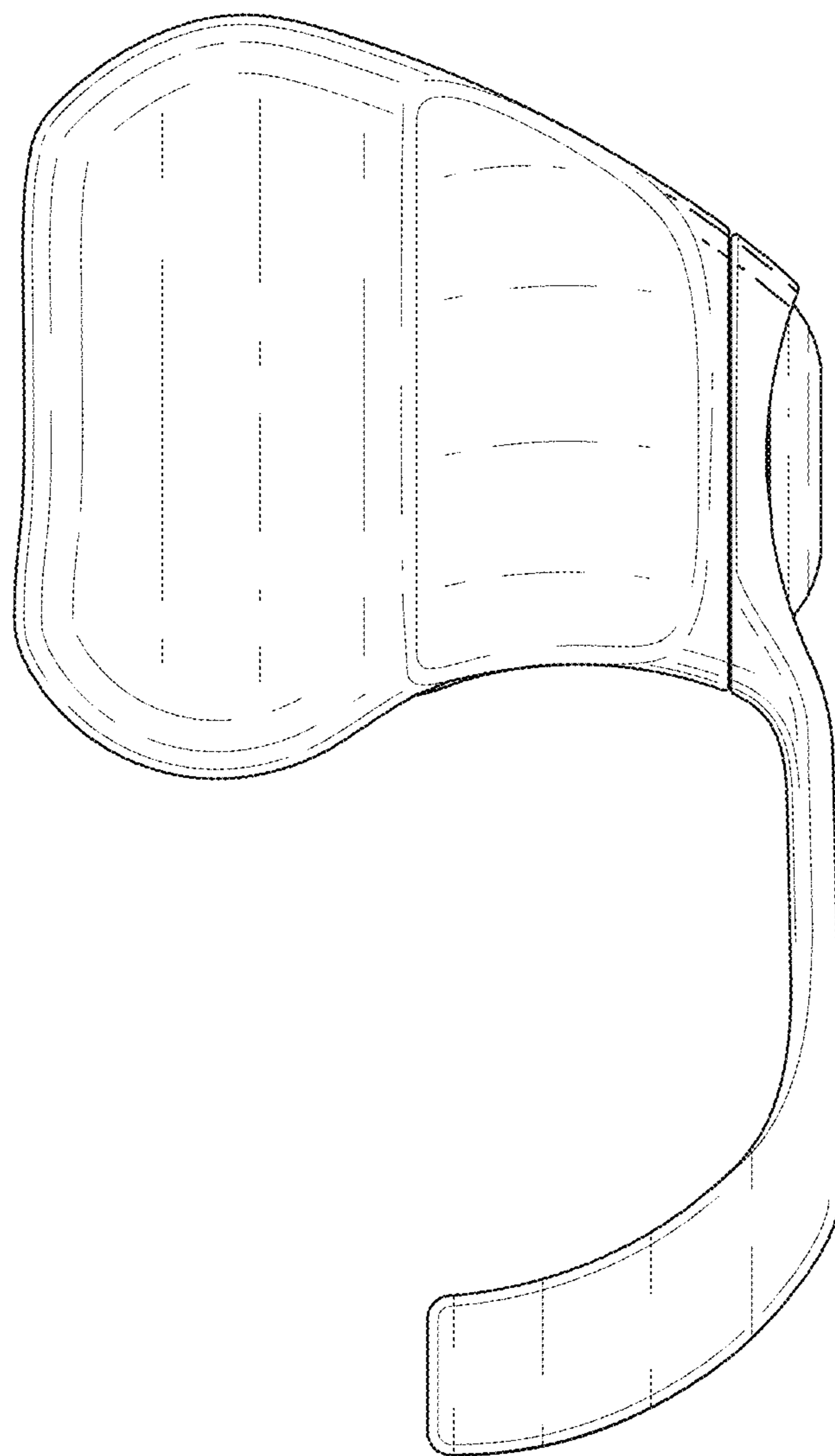
*FIG. 4*



*FIG. 5*

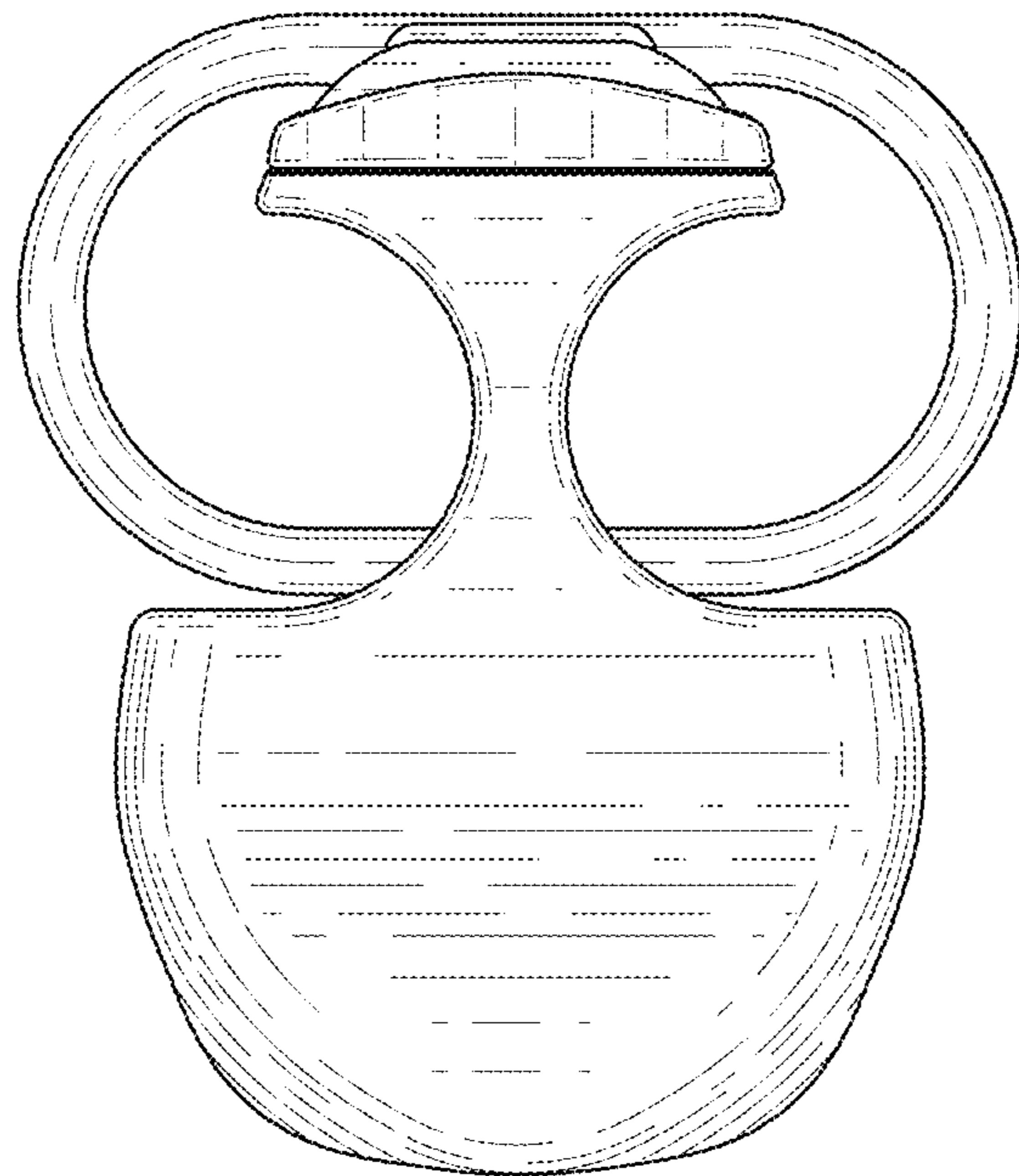


*FIG. 6*

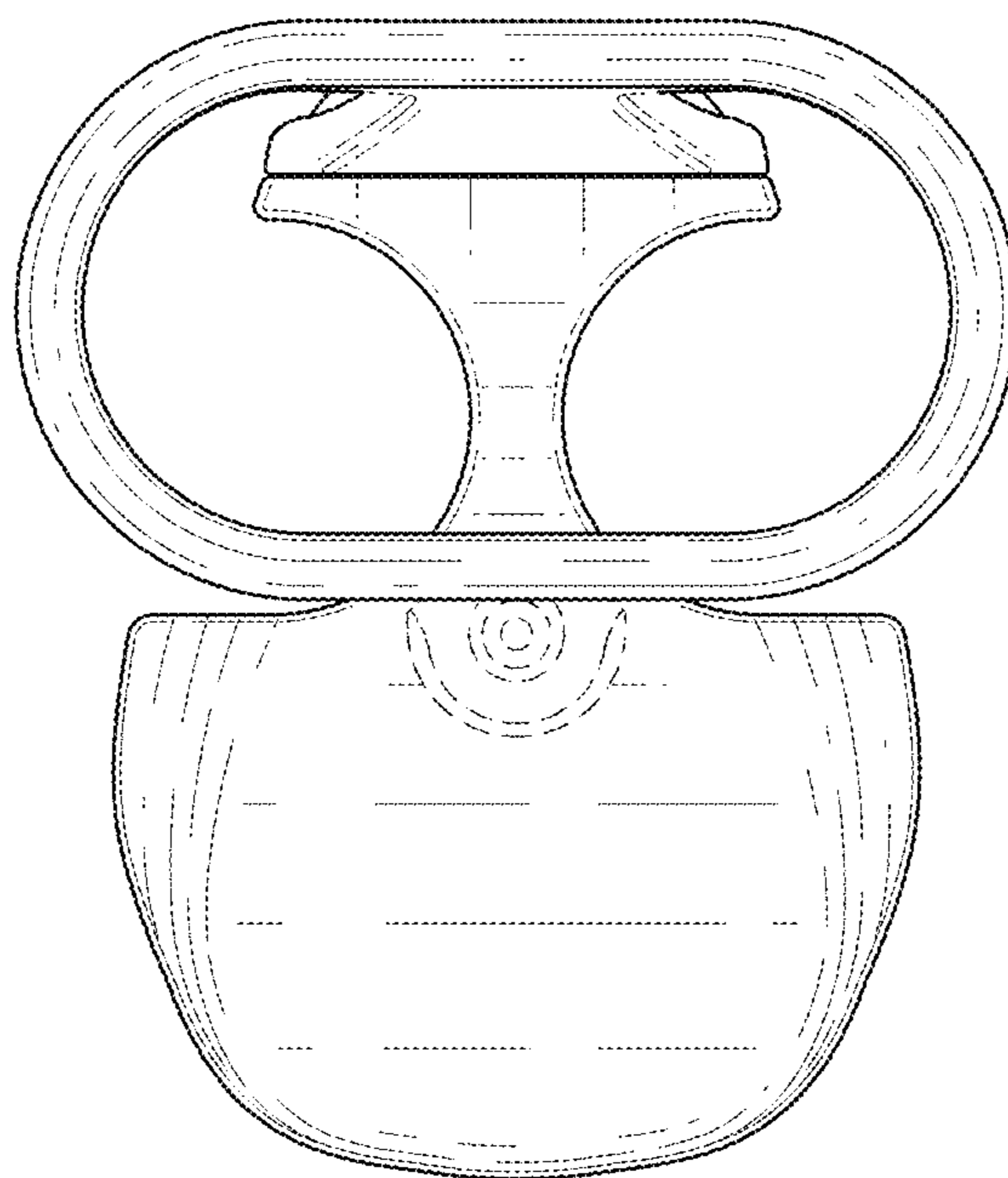


*FIG. 7*





*FIG. 8*



*FIG. 9*