



US00D828571S

(12) **United States Design Patent**
Lee

(10) **Patent No.:** **US D828,571 S**
(45) **Date of Patent:** **** Sep. 11, 2018**

(54) **HANDHELD BEAUTY CARE DEVICE**

(71) Applicant: **Mung Wa Lee**, Hong Kong (HK)

(72) Inventor: **Mung Wa Lee**, Hong Kong (HK)

(**) Term: **15 Years**

(21) Appl. No.: **29/618,922**

(22) Filed: **Sep. 26, 2017**

(51) **LOC (11) Cl.** **28-03**

(52) **U.S. Cl.**
USPC **D24/214**

(58) **Field of Classification Search**
USPC 601/2, 15, 19, 27-32, 46, 48, 52, 78, 79,
601/84-85, 93-94, 99, 112, 113, 114,
601/120, 121, 125, 129, 131, 134, 135,
601/DIG. 12, DIG. 14, DIG. 15, DIG. 16,
601/DIG. 17; D24/133, 146, 147, 200,
D24/211, 212, 213, 214, 215; D28/91.1;
D9/723, 726, 727; D4/100, 102
CPC A61H 2201/0153; A61H 7/007; A61H
15/0085; A61H 2015/0014; A61B
17/1325

See application file for complete search history.

D438,308 S * 2/2001 Harris D24/214
6,730,050 B2 * 5/2004 Huang A61H 23/0254
601/103
7,186,226 B2 * 3/2007 Woolley A61H 7/005
601/137
D548,843 S * 8/2007 Kertz D24/188
D609,817 S * 2/2010 Piller D24/215
7,699,794 B2 * 4/2010 Meyer A61H 7/005
601/15
D623,295 S * 9/2010 Rhoades D24/133
D628,304 S * 11/2010 Aulwes D24/214
D645,565 S * 9/2011 Smith D24/200
D646,487 S * 10/2011 Leppla D4/102
D648,435 S * 11/2011 Brodbeck D24/200
D693,932 S * 11/2013 Nichols D24/214
D695,903 S * 12/2013 Tamsiran D24/209
D708,440 S * 7/2014 Owen D4/102
D713,150 S * 9/2014 Maurin D4/102
D728,242 S * 5/2015 Kim D4/102

(Continued)

Primary Examiner — Cynthia Ramirez
Assistant Examiner — Michael A Maharajh

(57) **CLAIM**

The ornamental design for a handheld beauty care device, as shown and described.

DESCRIPTION

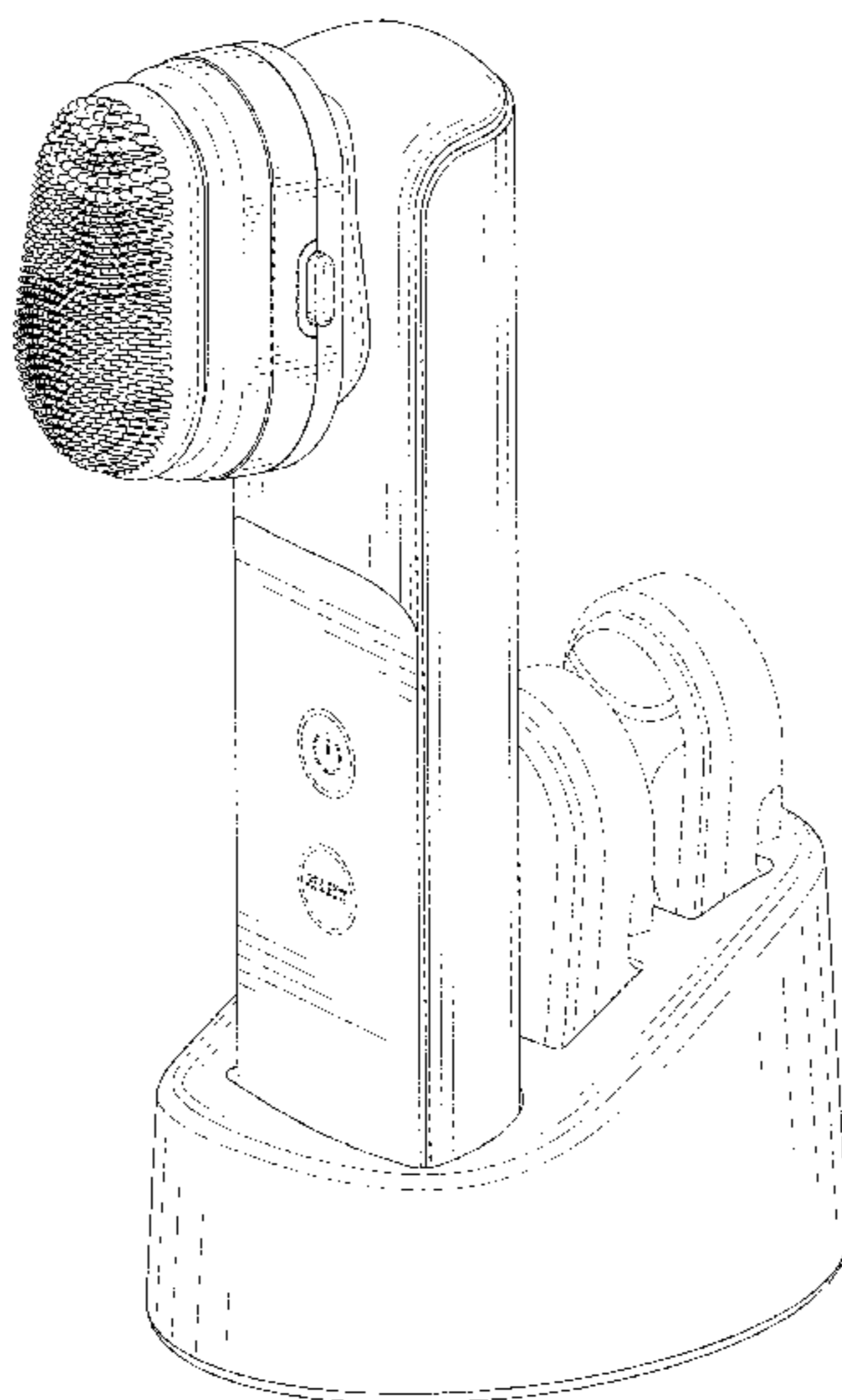
FIG. 1 is a first perspective view of a handheld beauty care device showing my new design;
FIG. 2 is a second perspective view thereof;
FIG. 3 is a front elevational view thereof;
FIG. 4 is a rear elevational view thereof;
FIG. 5 is a left side view thereof;
FIG. 6 is a right side view thereof;
FIG. 7 is a top plan view thereof; and,
FIG. 8 is a bottom plan view thereof.
The broken lines in the drawings illustrate portions of the handheld beauty care device which form no part of the claimed design.

1 Claim, 8 Drawing Sheets

(56) **References Cited**

U.S. PATENT DOCUMENTS

D200,525 S * 3/1965 Kellogg D24/211
D207,080 S * 2/1967 McNair D24/206
3,467,080 A * 9/1969 McNair A61H 23/0218
601/18
D215,689 S * 10/1969 Irelan D24/214
D226,583 S * 3/1973 Welch D24/214
D331,467 S * 12/1992 Wollman D24/200
5,187,827 A * 2/1993 Wei A46B 13/06
D24/215
D339,198 S * 9/1993 Mochida D24/211
D366,703 S * 1/1996 Huen D24/200
D374,934 S * 10/1996 Lie D24/215
D435,913 S * 1/2001 Harris D24/214



(56)

References Cited

U.S. PATENT DOCUMENTS

D729,398	S *	5/2015	Park	D24/215
D736,399	S *	8/2015	Nichols	D24/214
D739,145	S *	9/2015	von Berg	D4/102
D750,893	S *	3/2016	Owen	D4/100
D753,400	S *	4/2016	Khoun	D4/102
D757,953	S *	5/2016	Philips	D24/200
D759,256	S *	6/2016	Chen	D24/200
D764,173	S *	8/2016	Nichols	D4/102
D771,389	S *	11/2016	Since	D24/200
D775,836	S *	1/2017	Sedic	D4/101
D780,933	S *	3/2017	Uchida	D24/200
9,675,516	B2 *	6/2017	Parsloe	A61H 15/0092
D816,344	S *	5/2018	Tai	D4/100
2014/0330289	A1 *	11/2014	Revivo	A61B 17/54 604/46

* cited by examiner

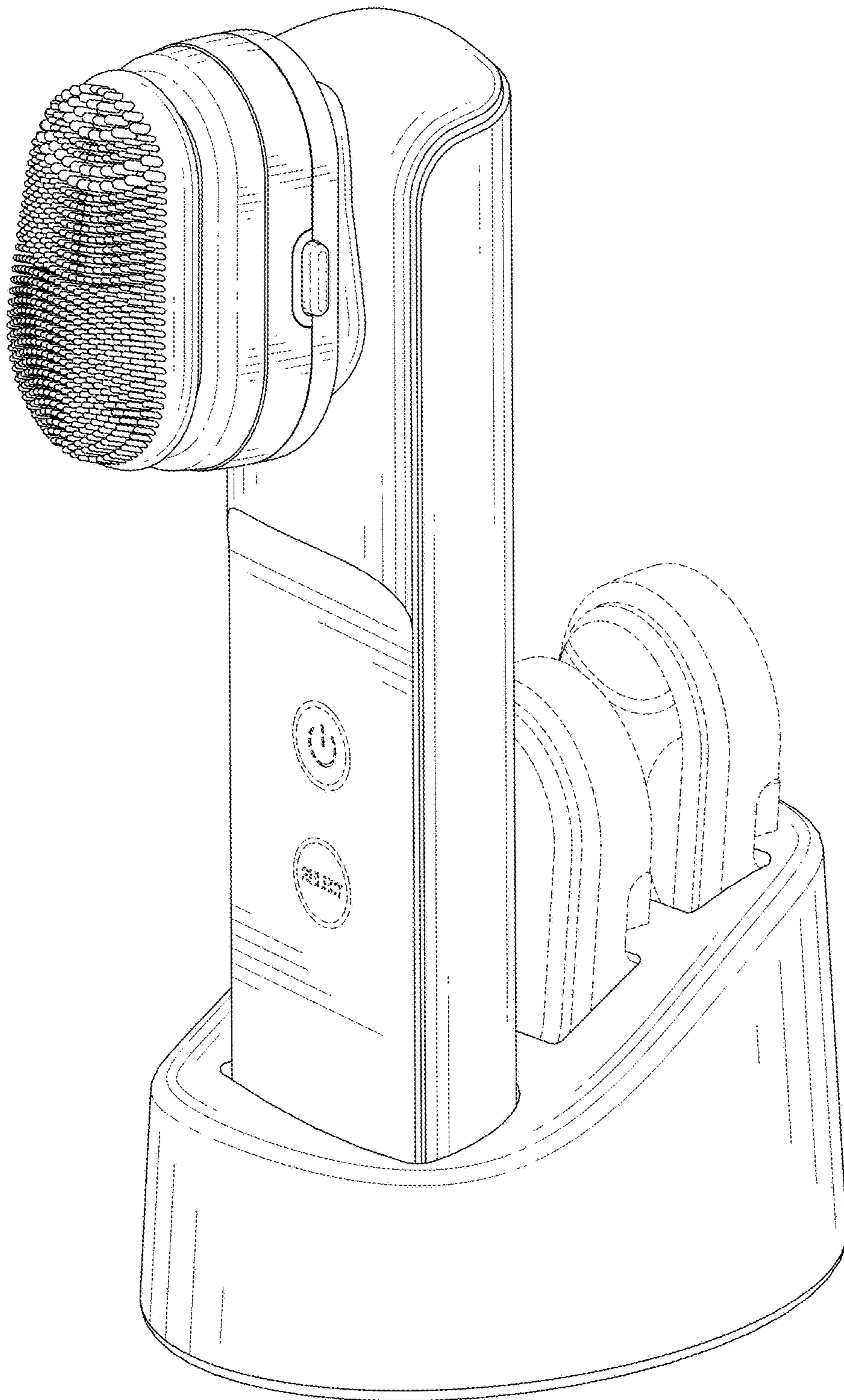


FIG. 1

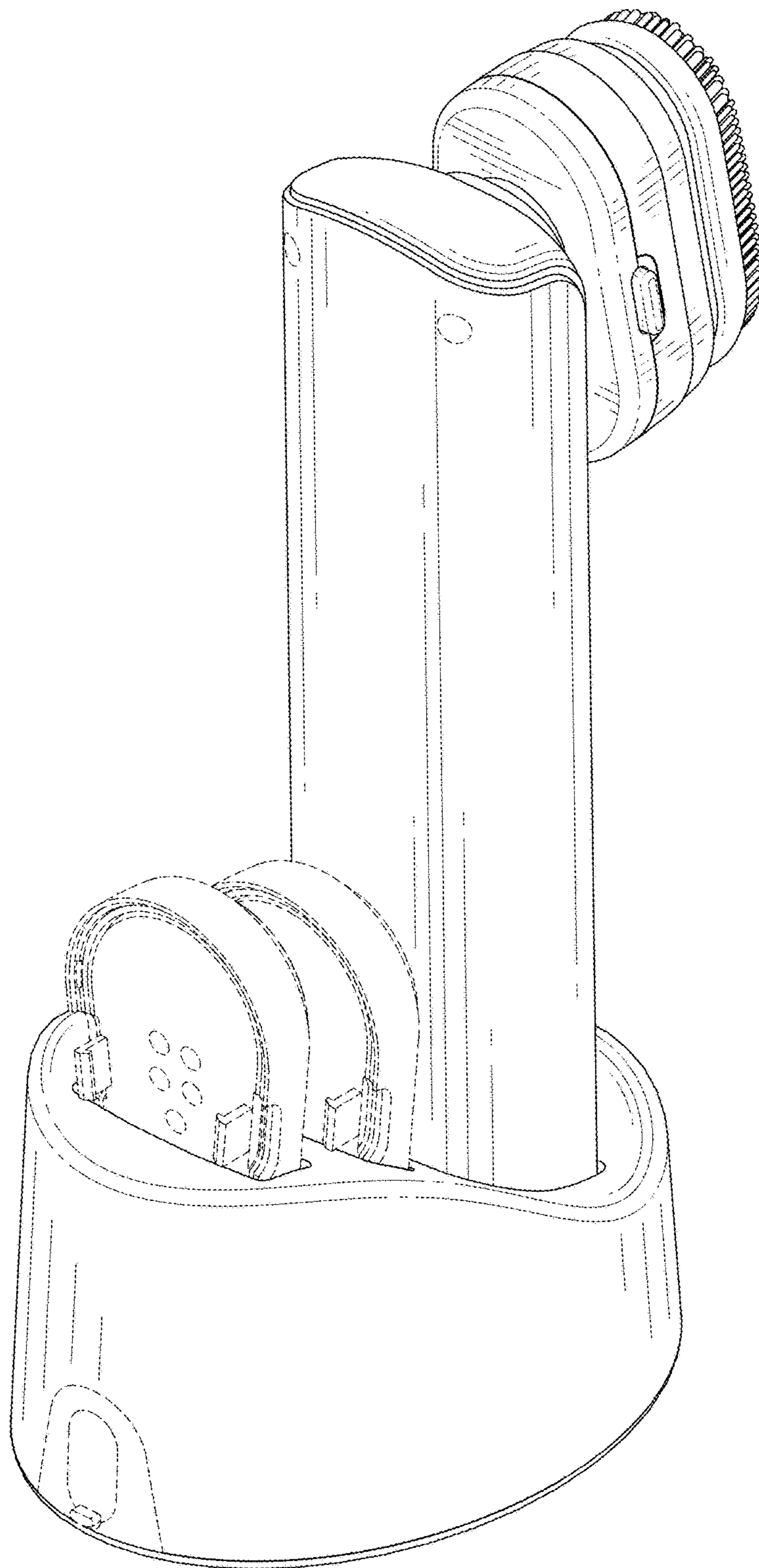


FIG. 2

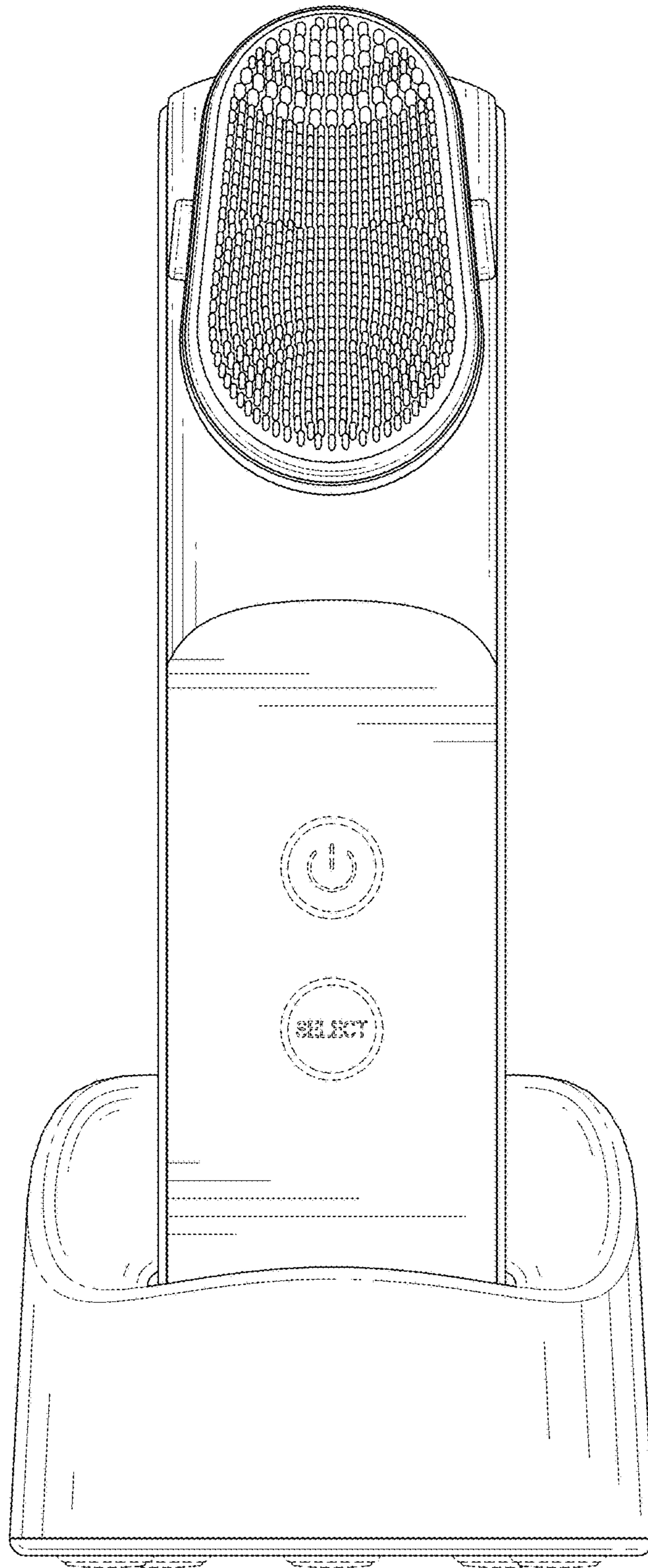


FIG. 3

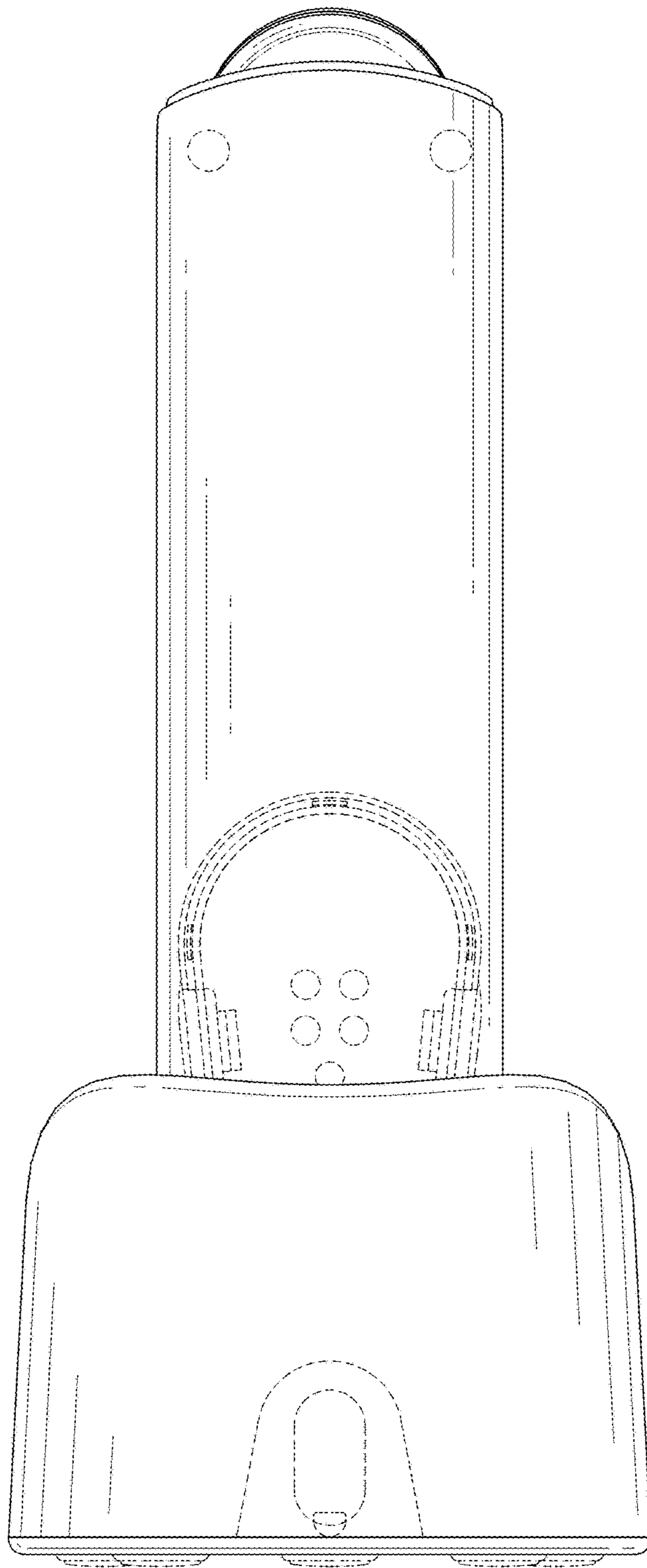


FIG. 4

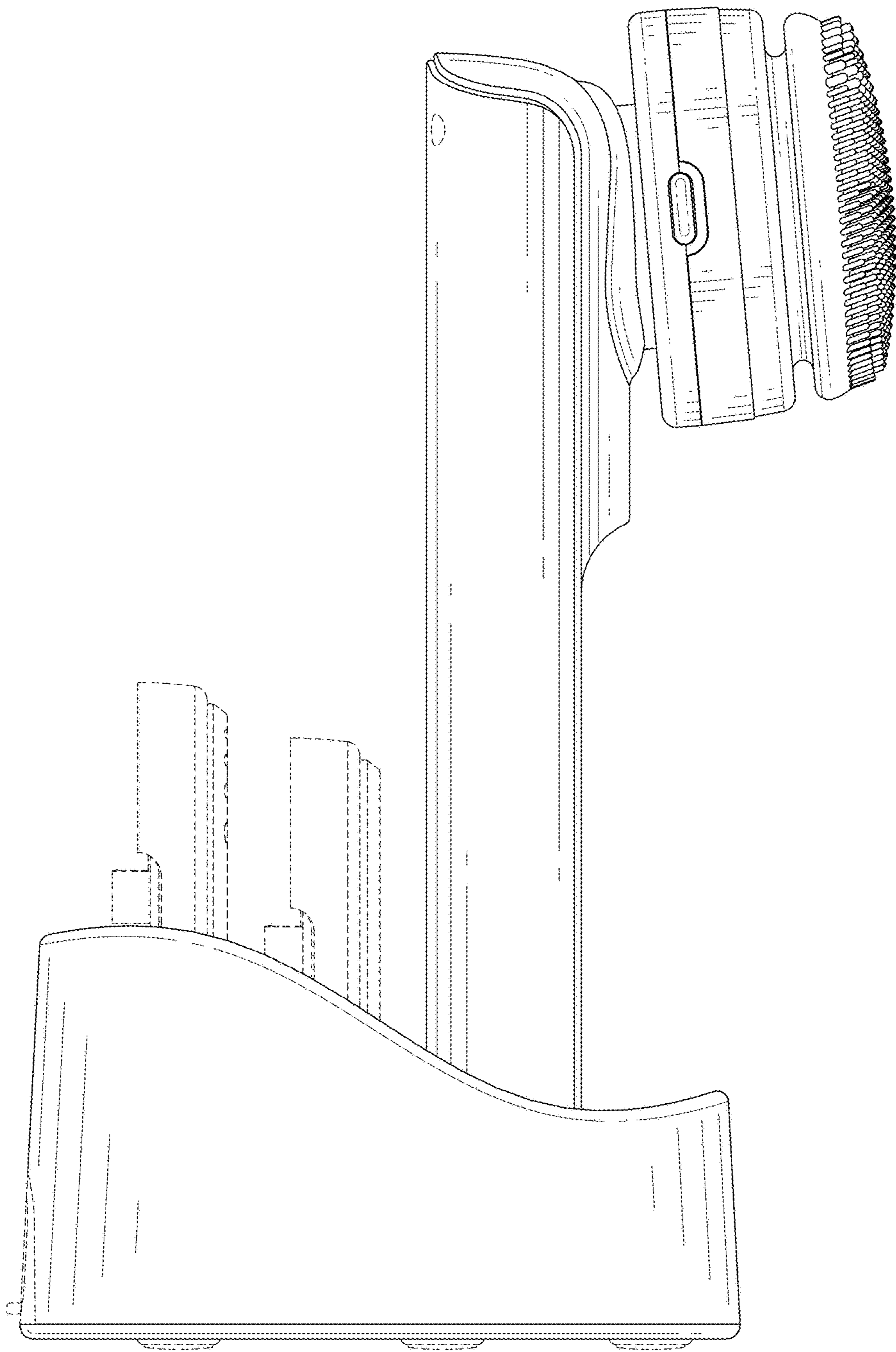


FIG. 5

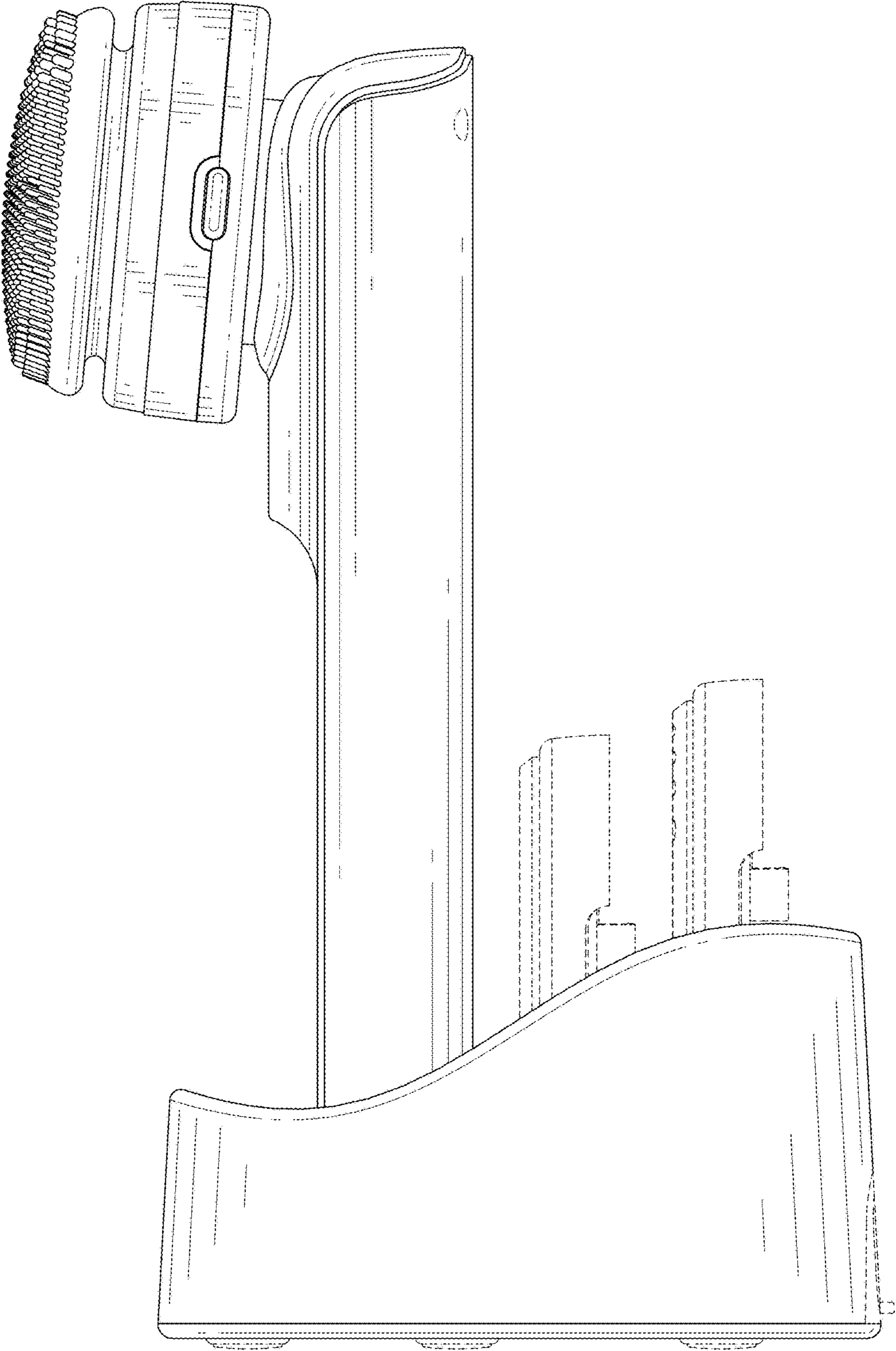


FIG. 6

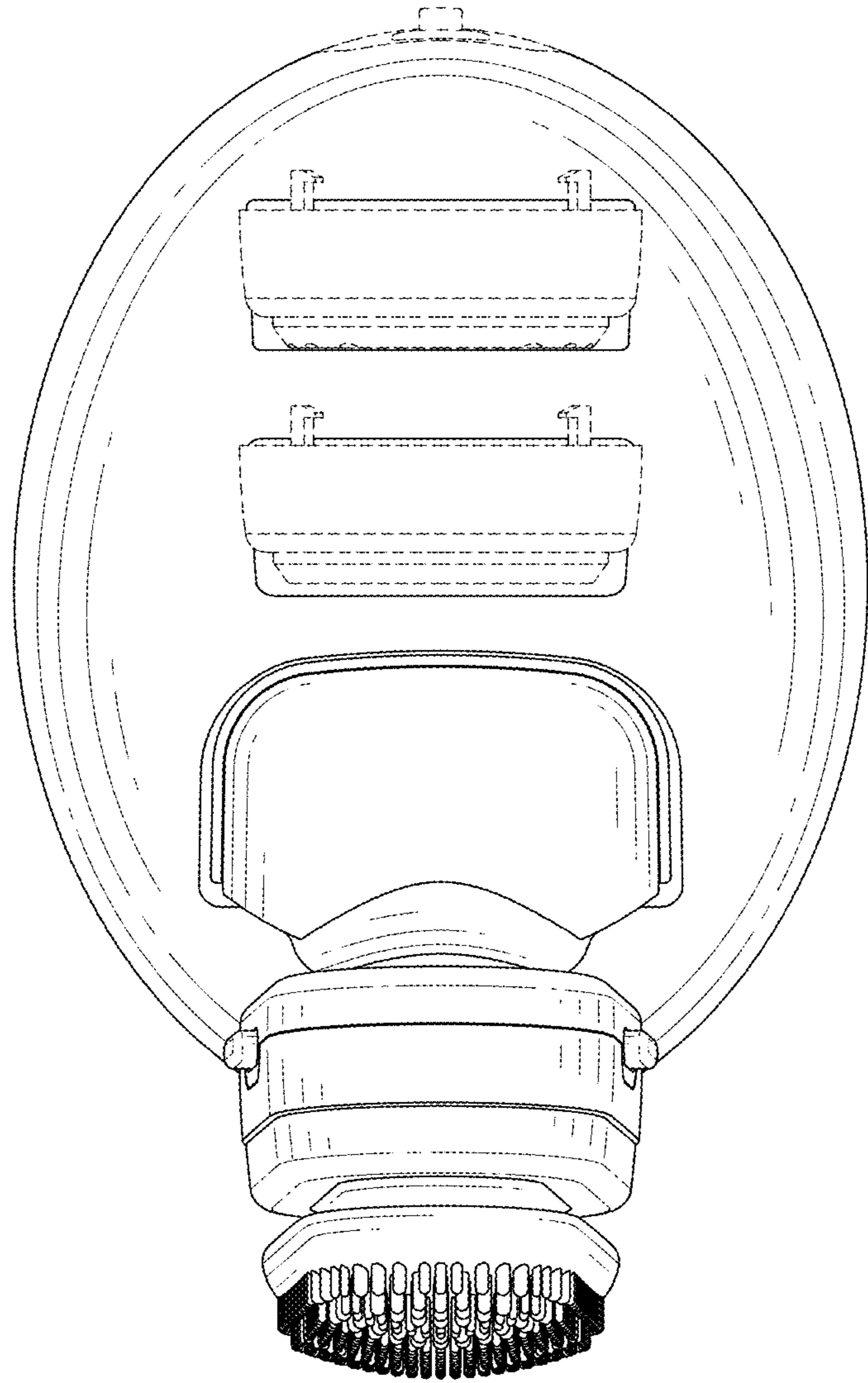


FIG. 7

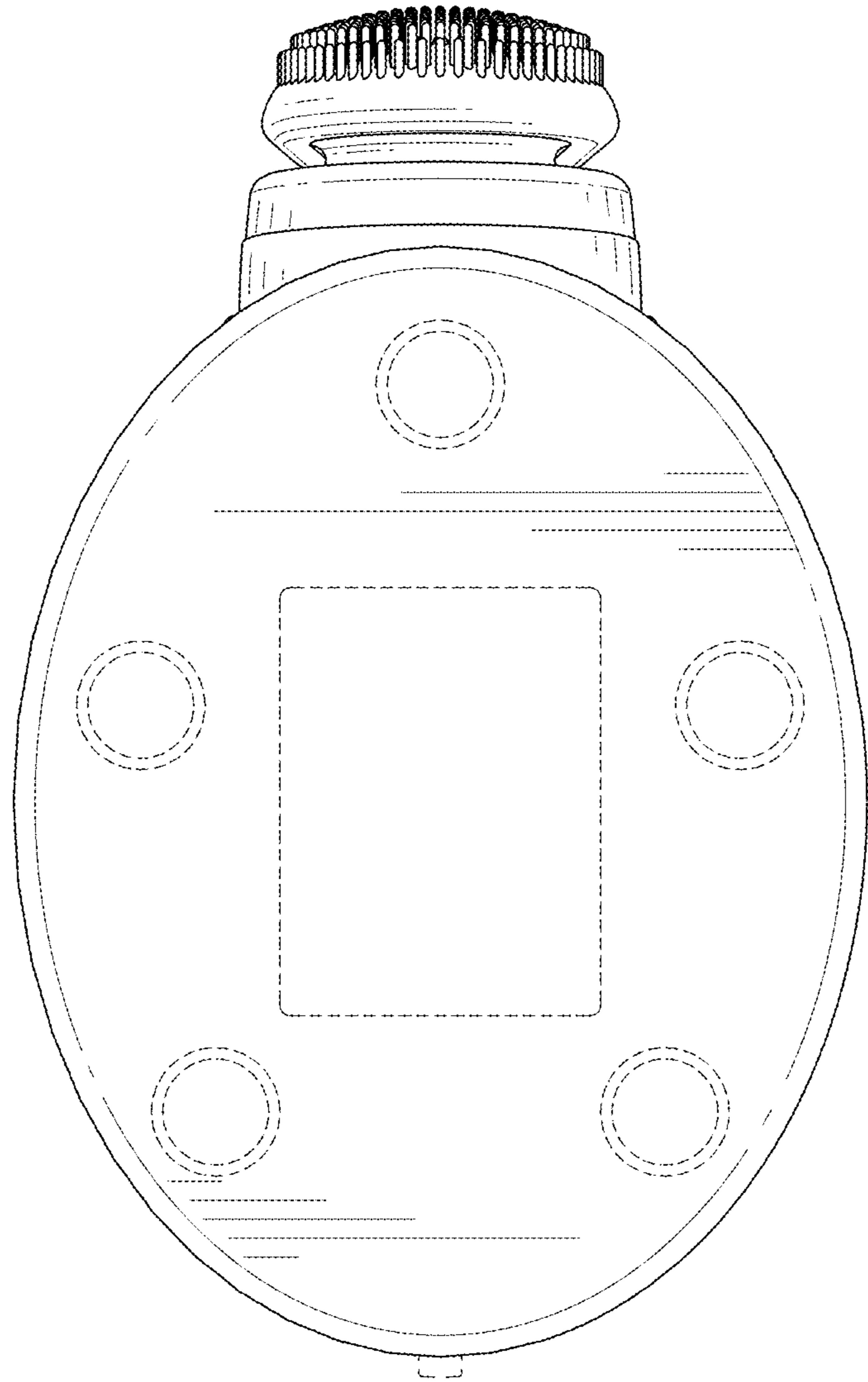


FIG. 8