



US00D828570S

(12) **United States Design Patent**
Boaz et al.

(10) **Patent No.:** **US D828,570 S**

(45) **Date of Patent:** **** Sep. 11, 2018**

(54) **DEVICE FOR RESHAPING SKIN**

2018/0047; Y10S 601/01; Y10S 601/03;
Y10S 601/05; Y10S 601/14; Y10S 601/15

(71) Applicants: **Amos Boaz**, Shores (IL); **Ohad Henn**,
Ramat Gan (IL); **BenZion Levi**,
Habonim (IL)

See application file for complete search history.

(72) Inventors: **Amos Boaz**, Shores (IL); **Ohad Henn**,
Ramat Gan (IL); **BenZion Levi**,
Habonim (IL)

(56) **References Cited**

U.S. PATENT DOCUMENTS

(73) Assignee: **Home Skinovations Ltd.**, Yokneam
(IL)

D539,916 S *	4/2007	Baldachini	D24/200
D608,897 S *	1/2010	Cole	D24/200
D708,345 S *	7/2014	Brady	D24/200
D735,873 S *	8/2015	Brefka	D24/200
D752,235 S *	3/2016	Levi	D24/200
2017/0290731 A1 *	10/2017	Eckhouse	A61H 7/008

(**) Term: **15 Years**

* cited by examiner

(21) Appl. No.: **29/590,364**

Primary Examiner — Wan Laymon

(22) Filed: **Jan. 10, 2017**

(74) *Attorney, Agent, or Firm* — Dekel Patent Ltd.; David Klein

(51) **LOC (11) Cl.** **28-03**

(52) **U.S. Cl.**
USPC **D24/200**

(57) **CLAIM**

The ornamental design for a device for reshaping skin, as shown and described.

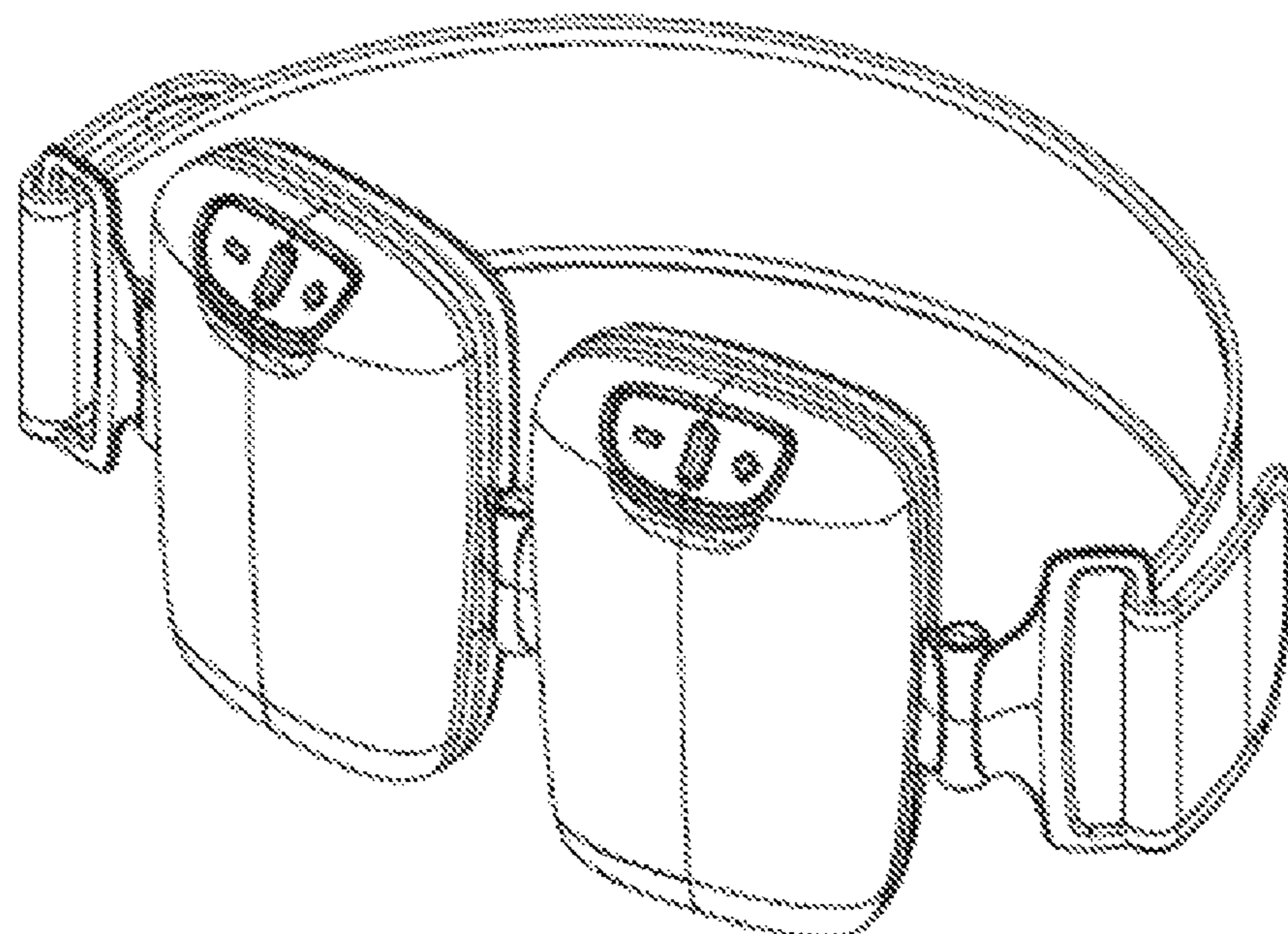
(58) **Field of Classification Search**

DESCRIPTION

USPC D24/200, 214–215, 188–191; D21/683, D21/694
CPC A61F 5/026; A61F 5/028; A61H 7/00; A61H 7/001; A61H 7/003; A61H 7/005; A61H 7/007; A61H 7/008; A61H 7/004; A61H 2205/00; A61H 2205/04; A61H 2205/06; A61H 2205/081; A61H 2205/10; A61H 2205/102; A61H 2201/168; A61H 2201/165; A61H 2201/1652; A61H 2201/0207; A61H 2201/0228; A61H 2201/1207; A61N 2007/0034; A61N 5/00; A61N 5/022; A61N 5/025; A61N 5/06; A61N 5/0616; A61N 5/0625; A61N 2005/0635; A61N 2005/0642; A61N 2005/0645; A61B 2018/00452; A61B

FIG. 1 is a left front perspective view of a device for reshaping skin, showing our new design;
FIG. 2 is a bottom view thereof;
FIG. 3 is a right front perspective view thereof;
FIG. 4 is a right side view thereof;
FIG. 5 is a front view thereof;
FIG. 6 is a left side view thereof;
FIG. 7 is a bottom left perspective view thereof;
FIG. 8 is a top view thereof; and,
FIG. 9 is a bottom right perspective view thereof.
The broken lines illustrate portions of the device for reshaping skin and form no part of the claimed design.

1 Claim, 4 Drawing Sheets



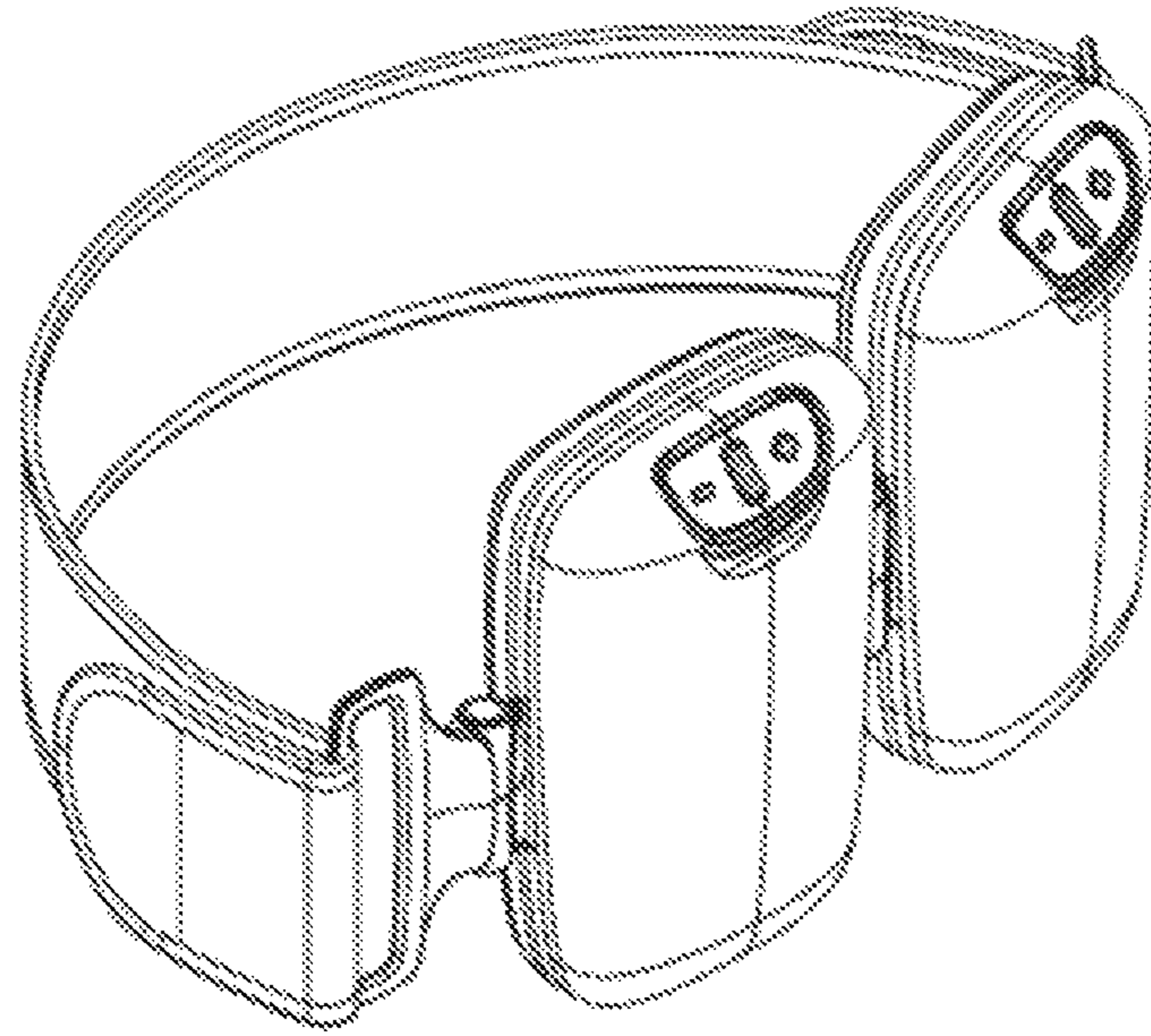


FIG. 1

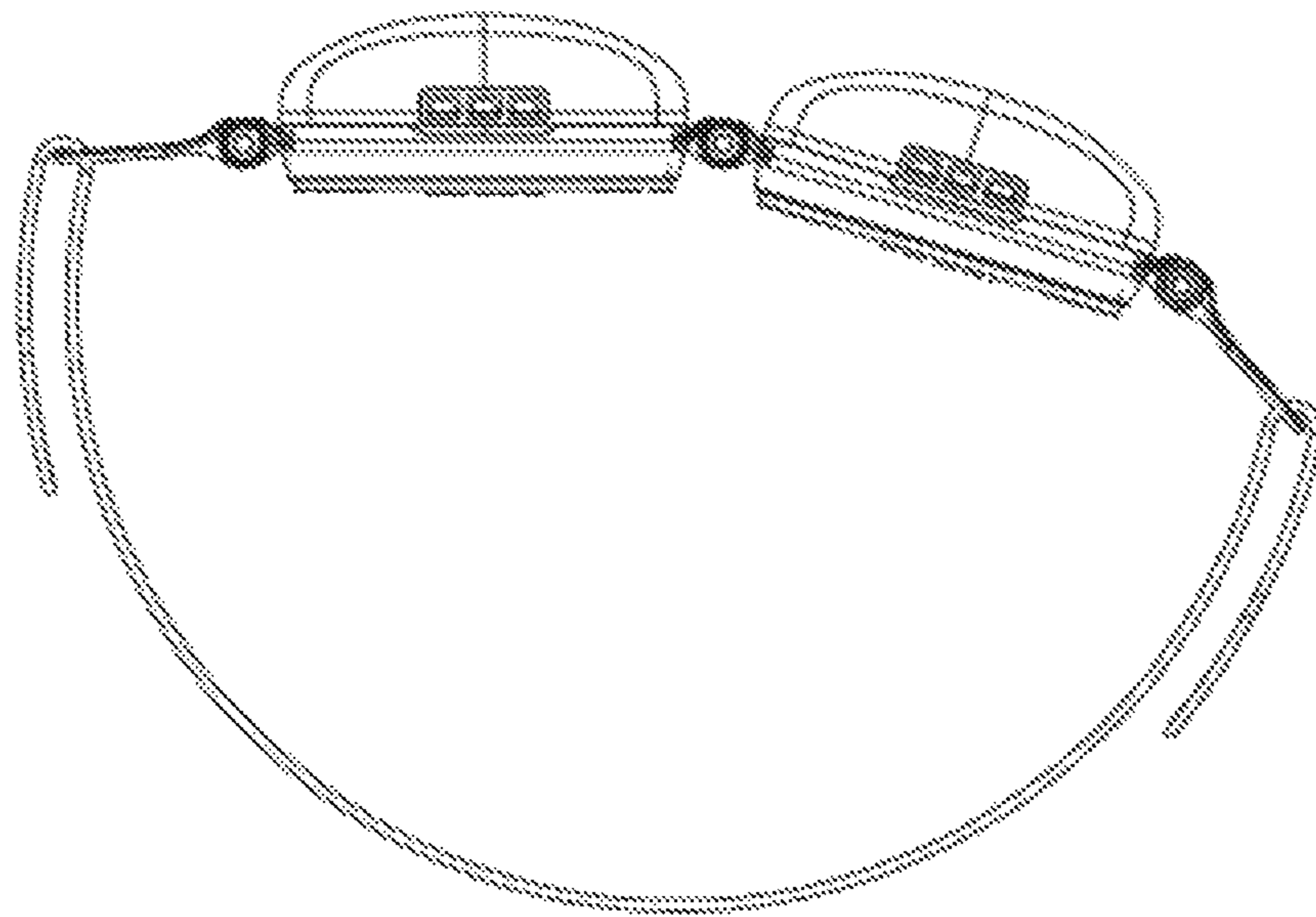


FIG. 2

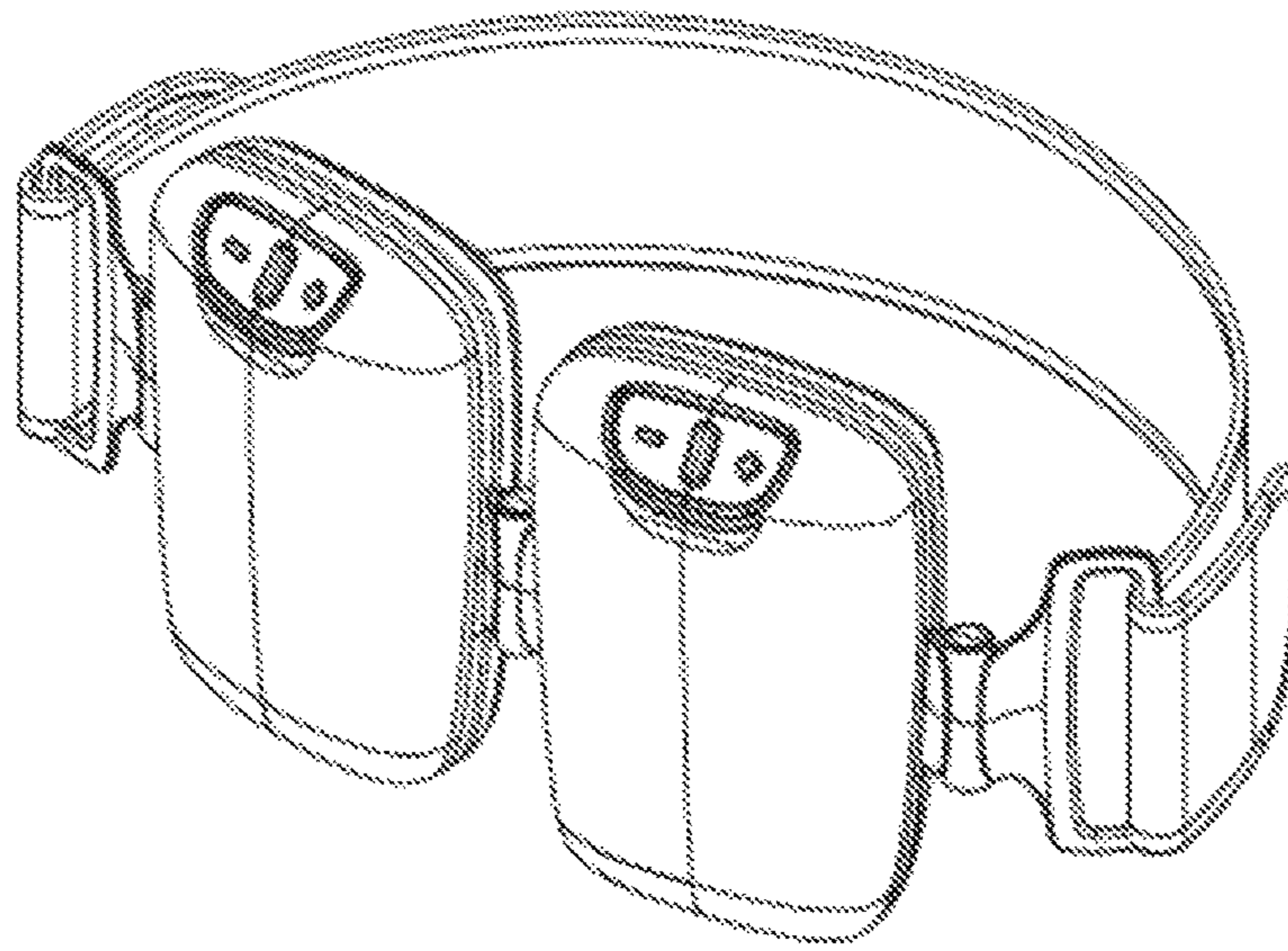


FIG. 3

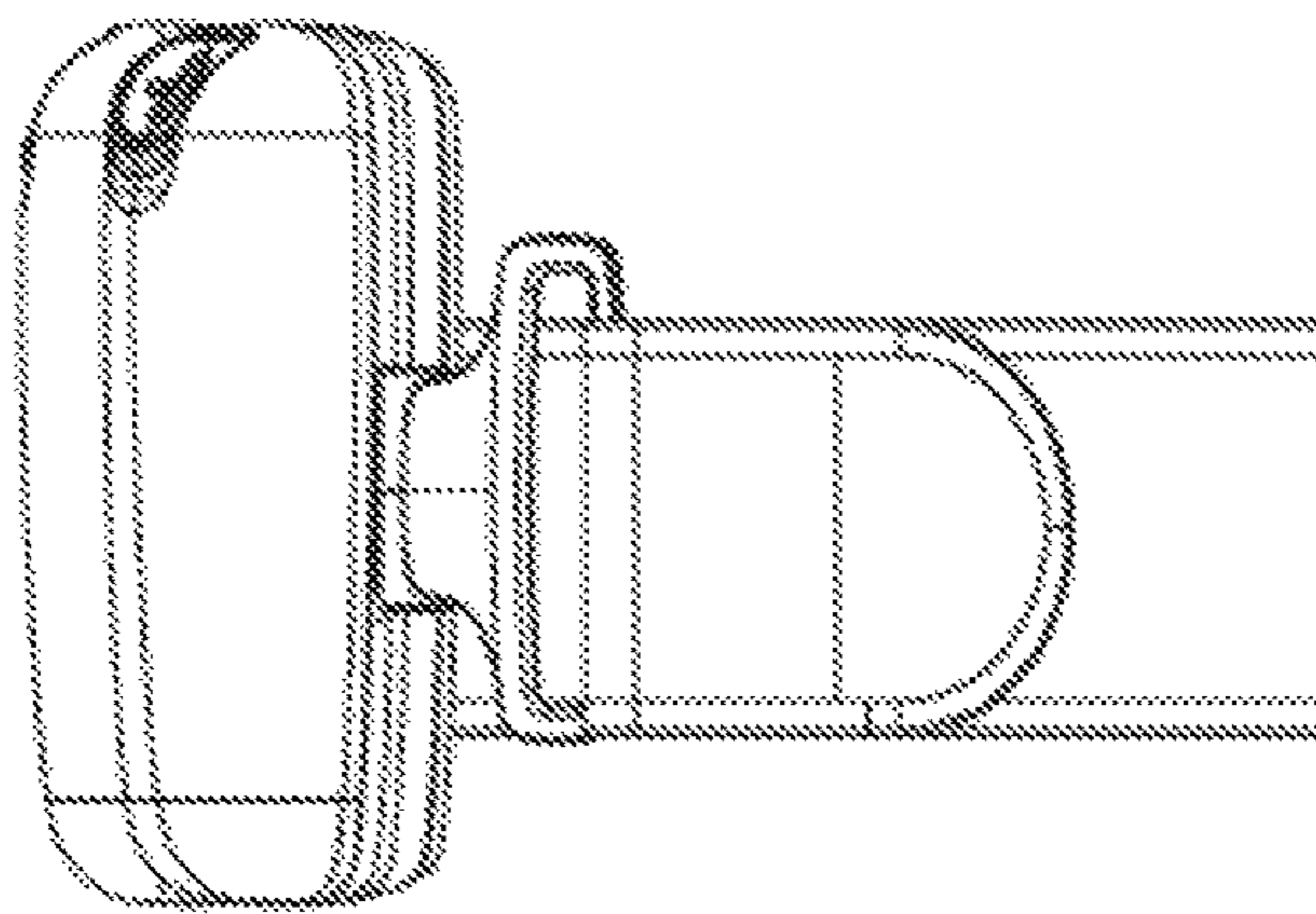


FIG. 4

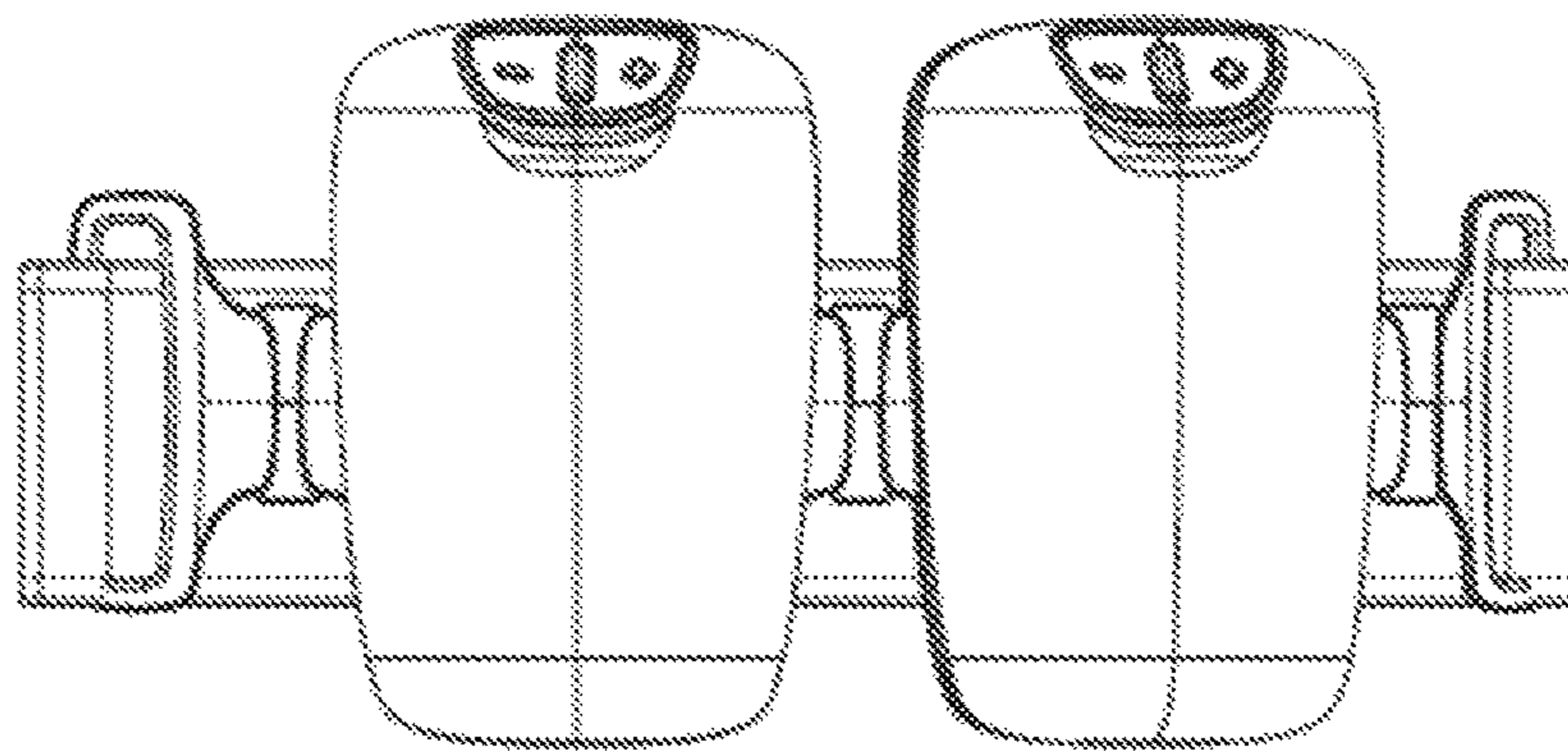


FIG. 5

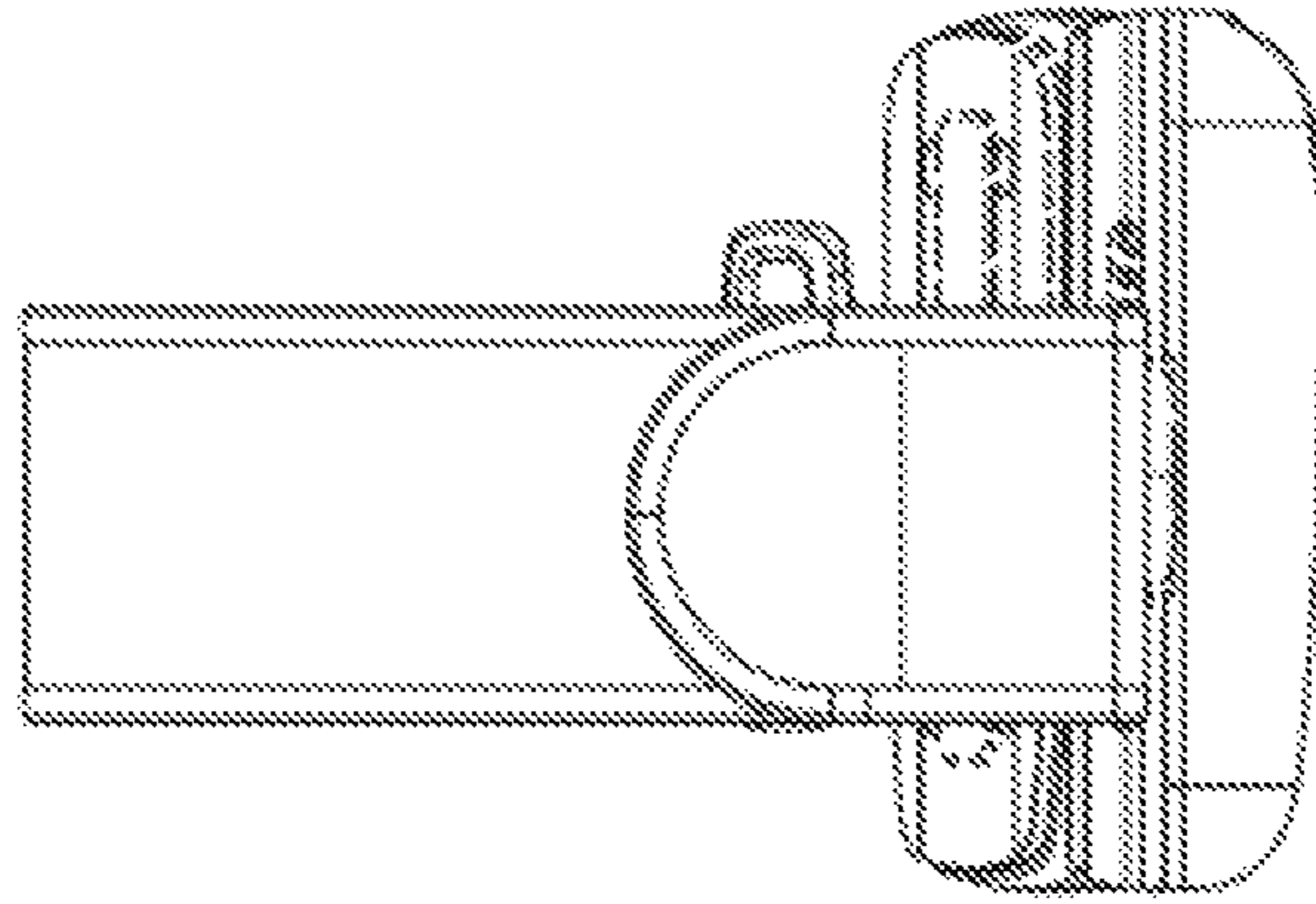


FIG. 6

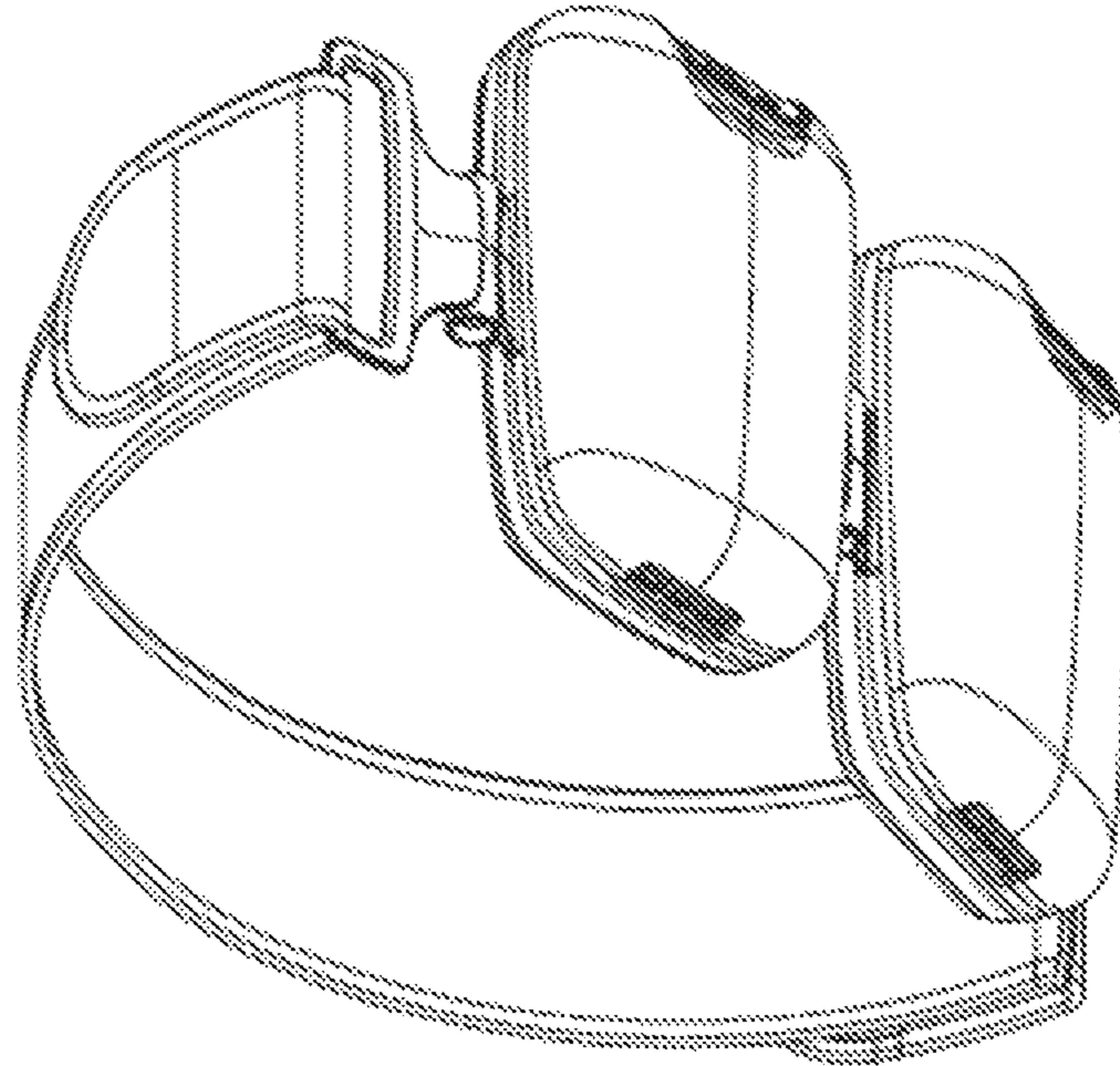


FIG. 7

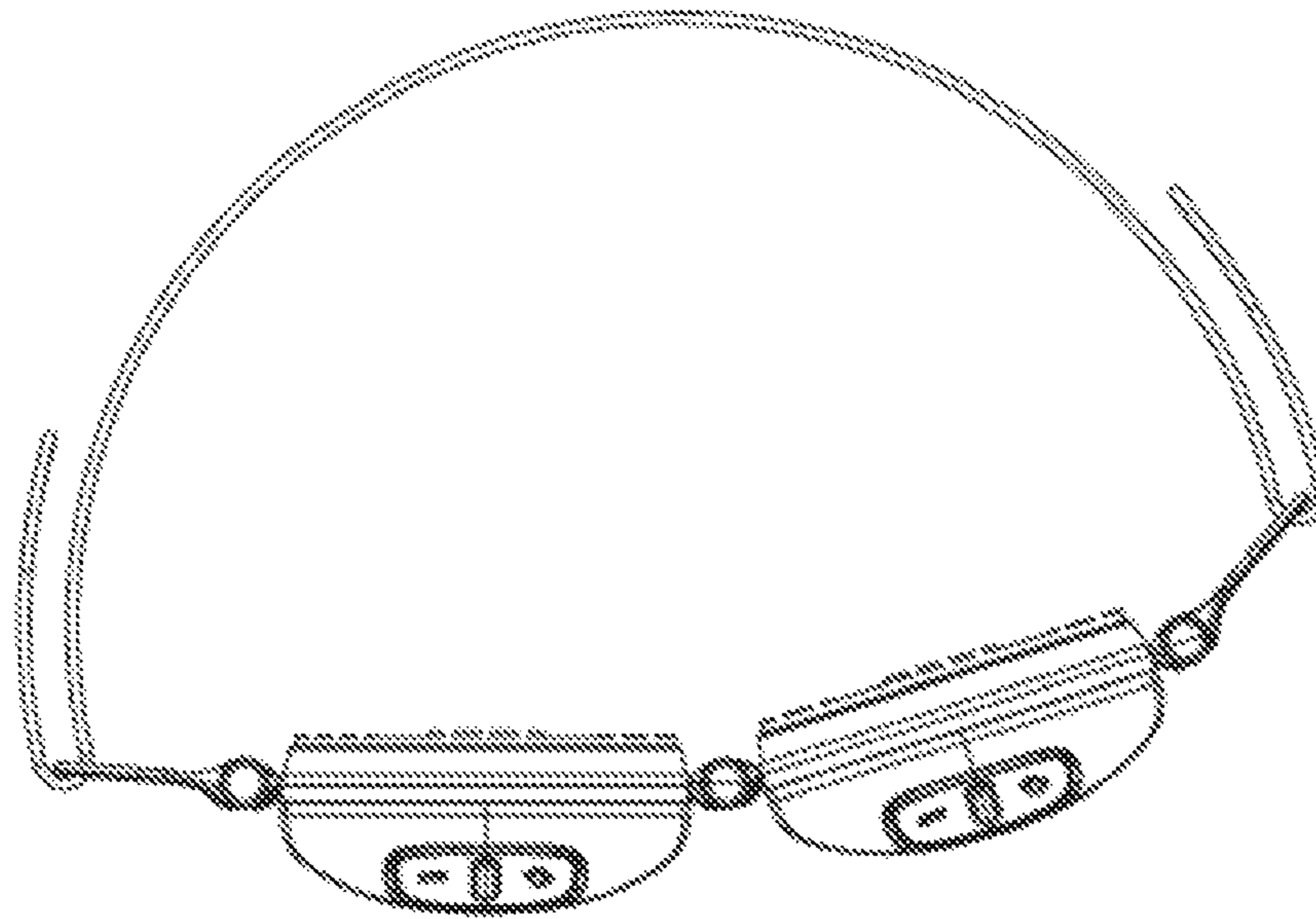


FIG. 8

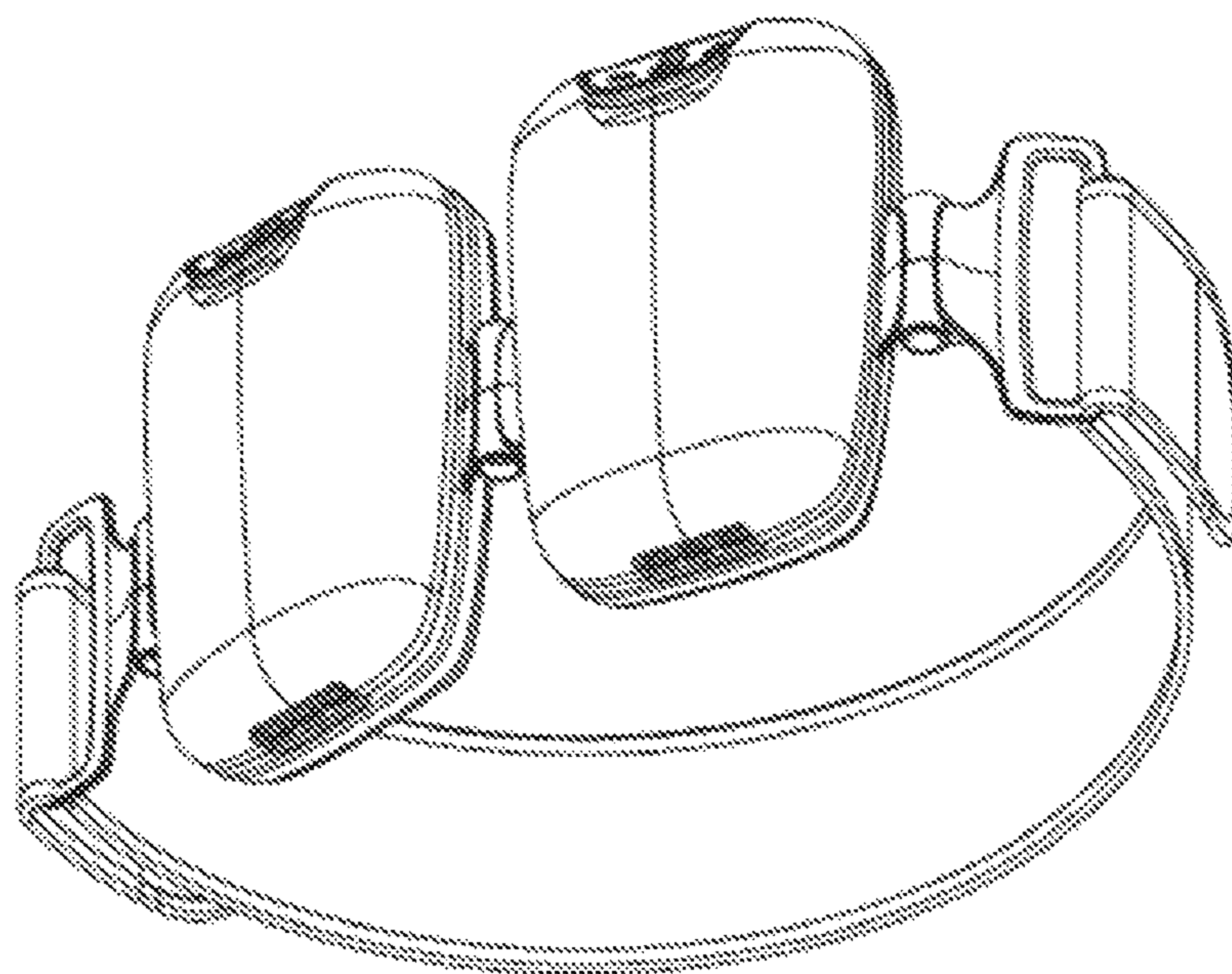


FIG. 9