



US00D828568S

(12) **United States Design Patent** (10) **Patent No.:** **US D828,568 S**
Köhler et al. (45) **Date of Patent:** **** Sep. 11, 2018**

(54) **ULTRASOUND AND ELECTROTHERAPY DEVICE**

(71) Applicant: **ZIMMER MEDIZINSYSTEME GMBH, Neu-Ulm (DE)**

(72) Inventors: **Timm Köhler, Weissenhorn (DE); Ansgar Brossardt, Krailing (DE)**

(73) Assignee: **Zimmer Medizinsysteme GmbH, Neu-Ulm (DE)**

(**) Term: **15 Years**

(21) Appl. No.: **35/501,183**

(22) Filed: **May 12, 2016**

(80) **Hague Agreement Data**

Int. Filing Date: **May 12, 2016**
Int. Reg. No.: **DM/091264**
Int. Reg. Date: **May 12, 2016**
Int. Reg. Pub. Date: **Jul. 8, 2016**

(30) **Foreign Application Priority Data**

Nov. 12, 2015 (EM) 002857003-0003

(51) **LOC (11) Cl.** **24-00**

(52) **U.S. Cl.**
USPC **D24/186**

(58) **Field of Classification Search**
USPC D24/186, 165, 174, 158, 200, 215, 110,
D24/111, 167, 138, 232, 108; D14/150,
D14/344

See application file for complete search history.

(56) **References Cited**

U.S. PATENT DOCUMENTS

D283,916 S * 5/1986 Akiyama D24/165
D287,878 S * 1/1987 Peeler D24/165

D533,279 S * 12/2006 Kobayashi D24/165
D541,941 S * 5/2007 Nakanishi D24/165
D571,013 S * 6/2008 Kitamura D24/165
D574,497 S * 8/2008 Kitamura D24/165
D609,343 S * 2/2010 Omaki D24/165
D641,881 S * 7/2011 Inami D24/165
D665,501 S * 8/2012 Shibata D24/165
D683,027 S * 5/2013 Noguchi D24/165
D683,028 S * 5/2013 Hara D24/165
D691,725 S * 10/2013 Noguchi D24/165
D717,439 S * 11/2014 Noguchi D24/165
D717,440 S * 11/2014 Shibata D24/165
D720,073 S * 12/2014 Shibata D24/165
D720,461 S * 12/2014 Svensson D24/174
D751,205 S * 3/2016 Tan D24/158
D755,974 S * 5/2016 Chen D24/165
D756,526 S * 5/2016 Ho D24/200
D758,607 S * 6/2016 Chen D24/215
D759,230 S * 6/2016 Gordon D24/110
D759,262 S * 6/2016 Chen D24/215

(Continued)

Primary Examiner — Rhea Shields

(74) *Attorney, Agent, or Firm* — Millen, White, Zelano & Branigan, P.C.; William F. Nixon

(57) **CLAIM**

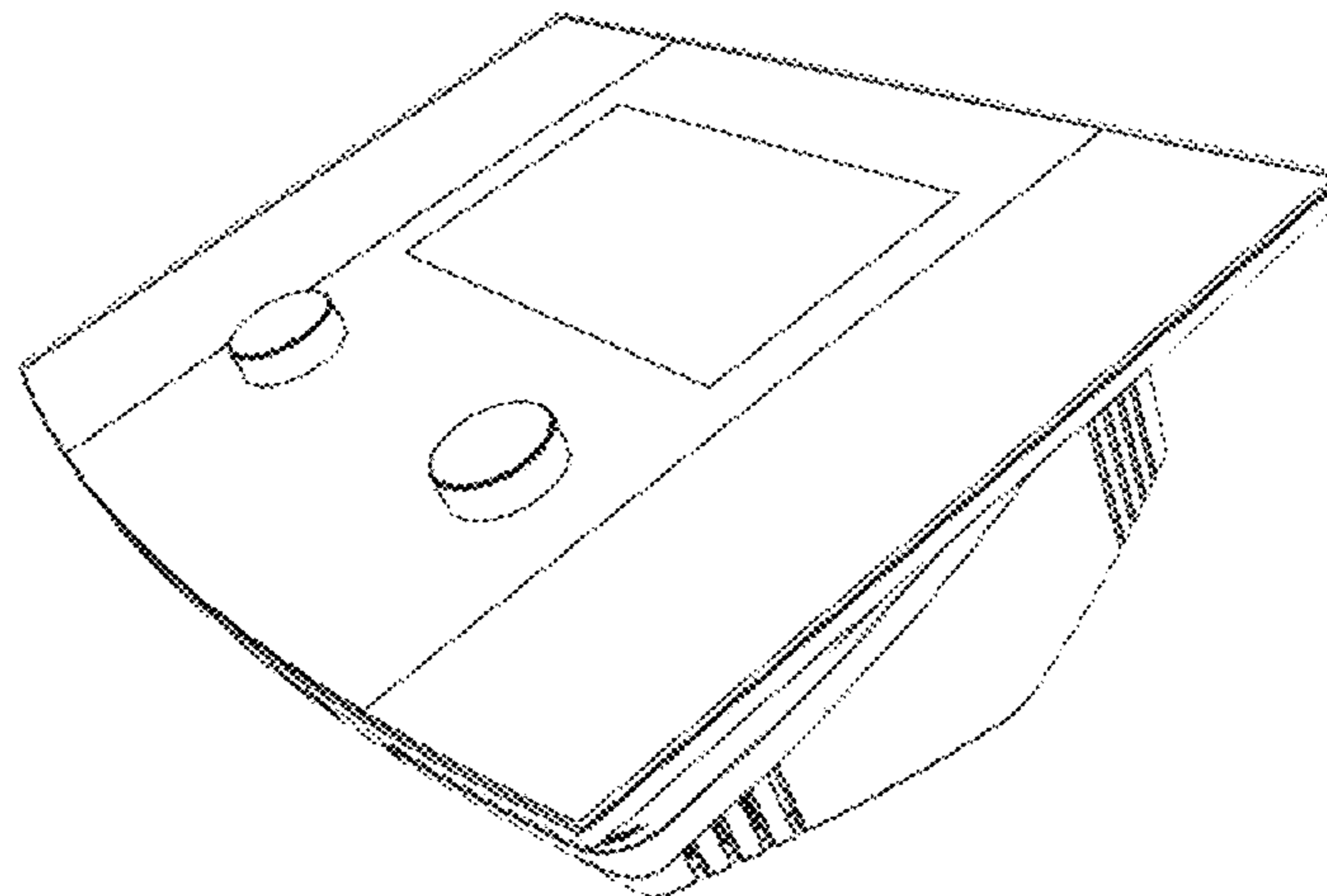
The ornamental design for an ultrasound and therapy device, as shown and described.

DESCRIPTION

- 1. Medical apparatus
- 1.1 : Perspective
- 1.2 : Front
- 1.3 : Left
- 1.4 : Right
- 1.5 : Back
- 1.6 : Top
- 1.7 : Bottom

The broken lines in the drawings depict portions of the ultrasound and electrotherapy device that form no part of the claimed design.

1 Claim, 7 Drawing Sheets



(56)

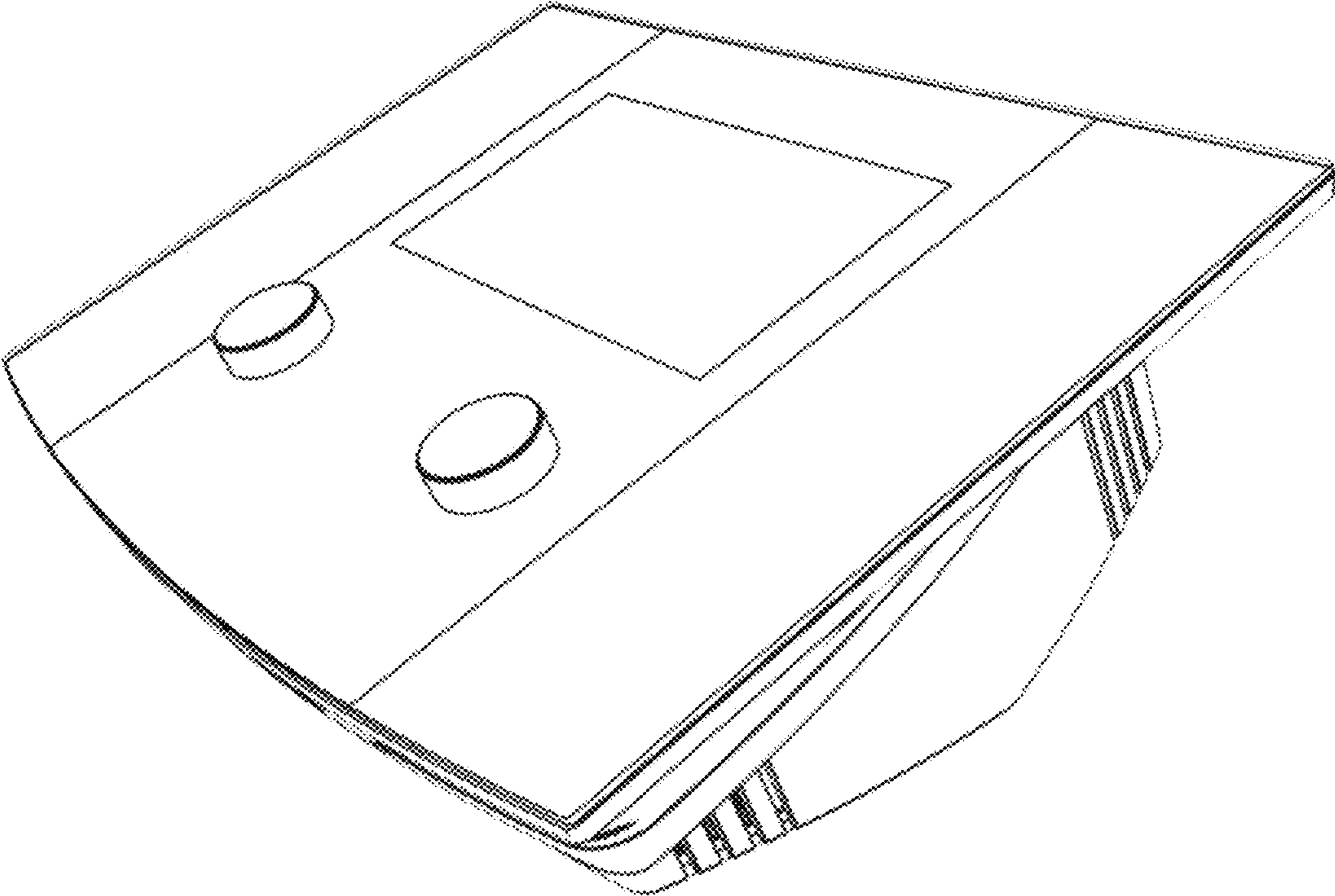
References Cited

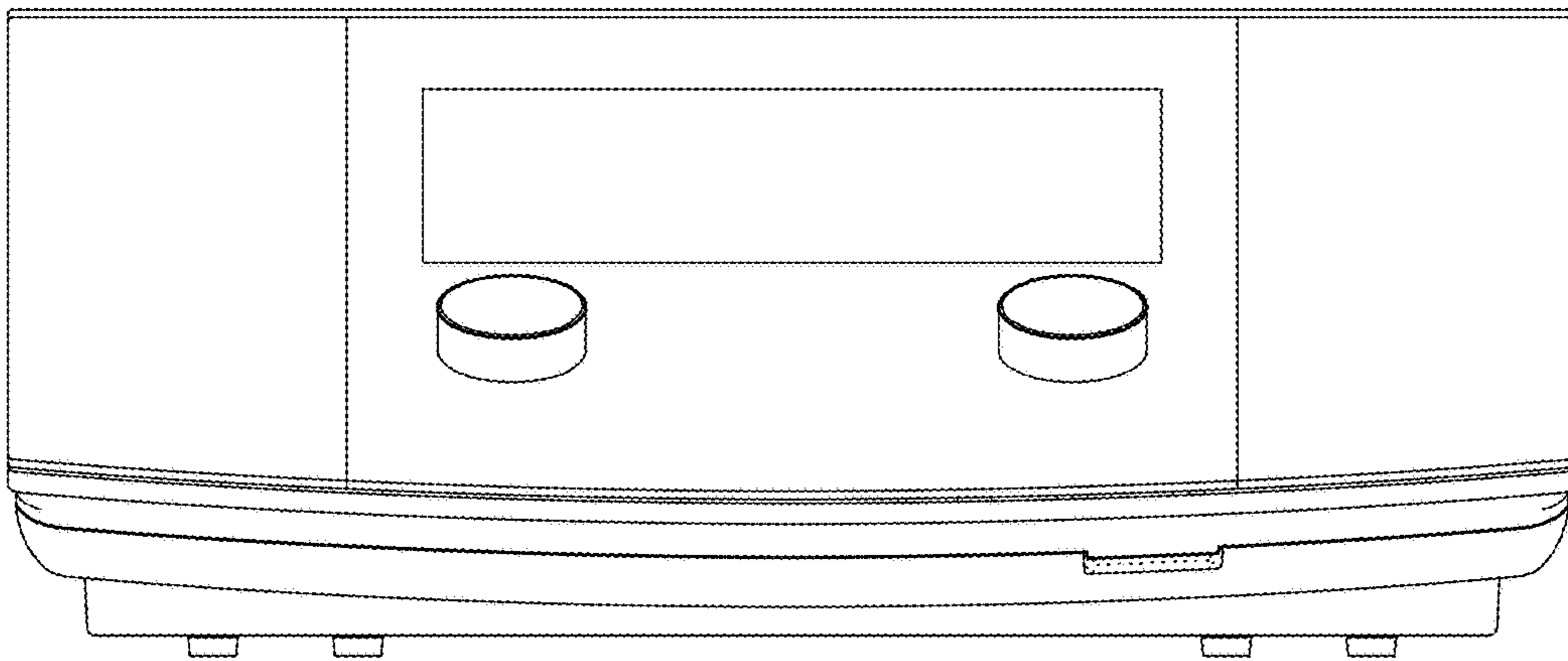
U.S. PATENT DOCUMENTS

| | | | |
|--------------|---------|-----------------|---------|
| D765,258 S * | 8/2016 | Marzynski | D24/186 |
| D765,832 S * | 9/2016 | Hochman | D24/111 |
| D766,442 S * | 9/2016 | Prais | D24/169 |
| D767,768 S * | 9/2016 | Ahmed | D24/186 |
| D770,051 S * | 10/2016 | Eggli | D24/186 |
| D772,227 S * | 11/2016 | Shan | D14/344 |
| D776,821 S * | 1/2017 | Chou | D24/186 |
| D781,425 S * | 3/2017 | Dascoli | D24/167 |
| D783,164 S * | 4/2017 | Tanaka | D24/138 |
| D783,178 S * | 4/2017 | Mead | D24/232 |
| D783,838 S * | 4/2017 | Zhao | D24/186 |
| D789,322 S * | 6/2017 | Ookawa | D14/150 |
| D789,516 S * | 6/2017 | Gill | D24/108 |
| D789,532 S * | 6/2017 | Tanaka | D24/138 |

* cited by examiner

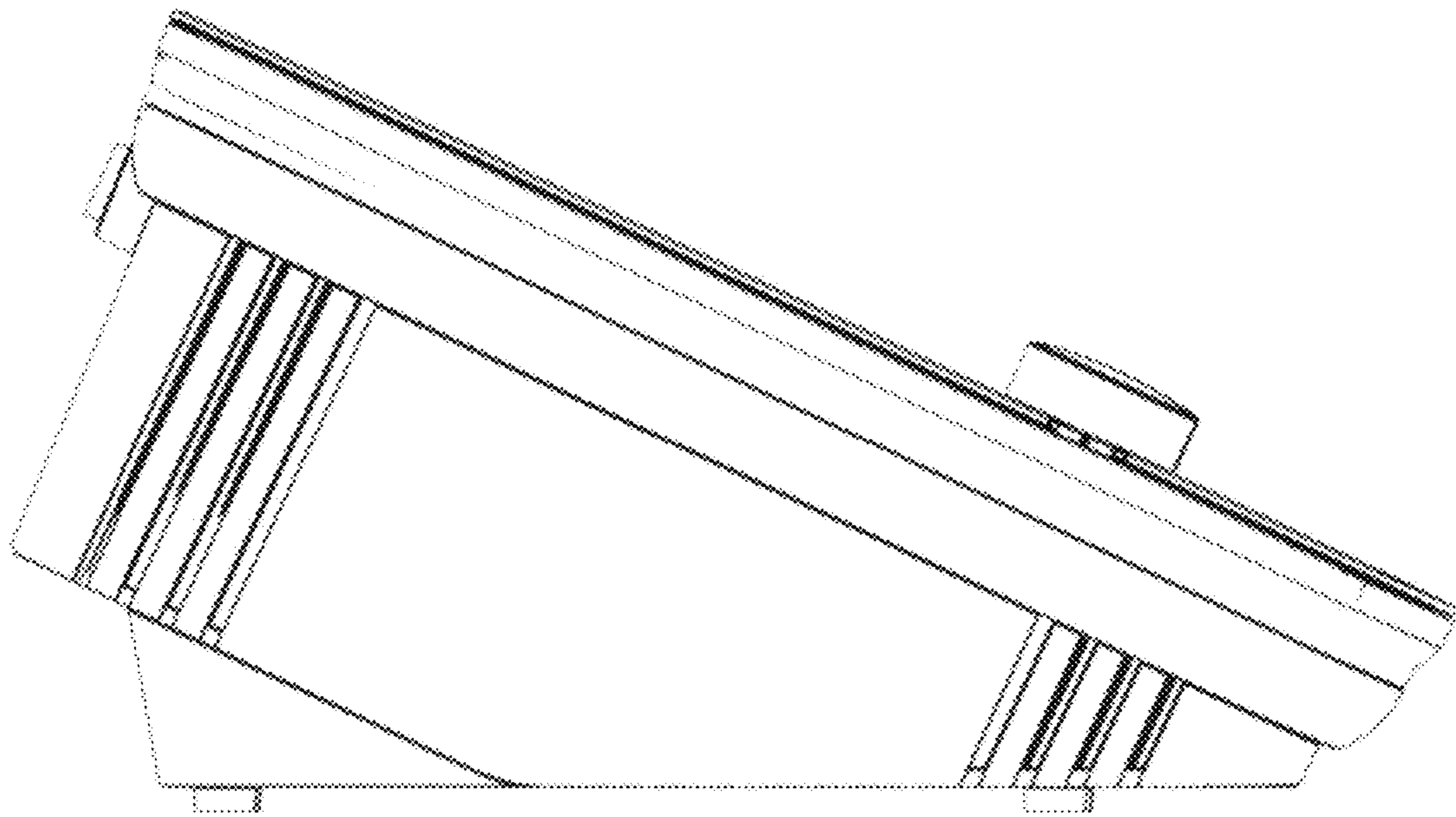
1.1



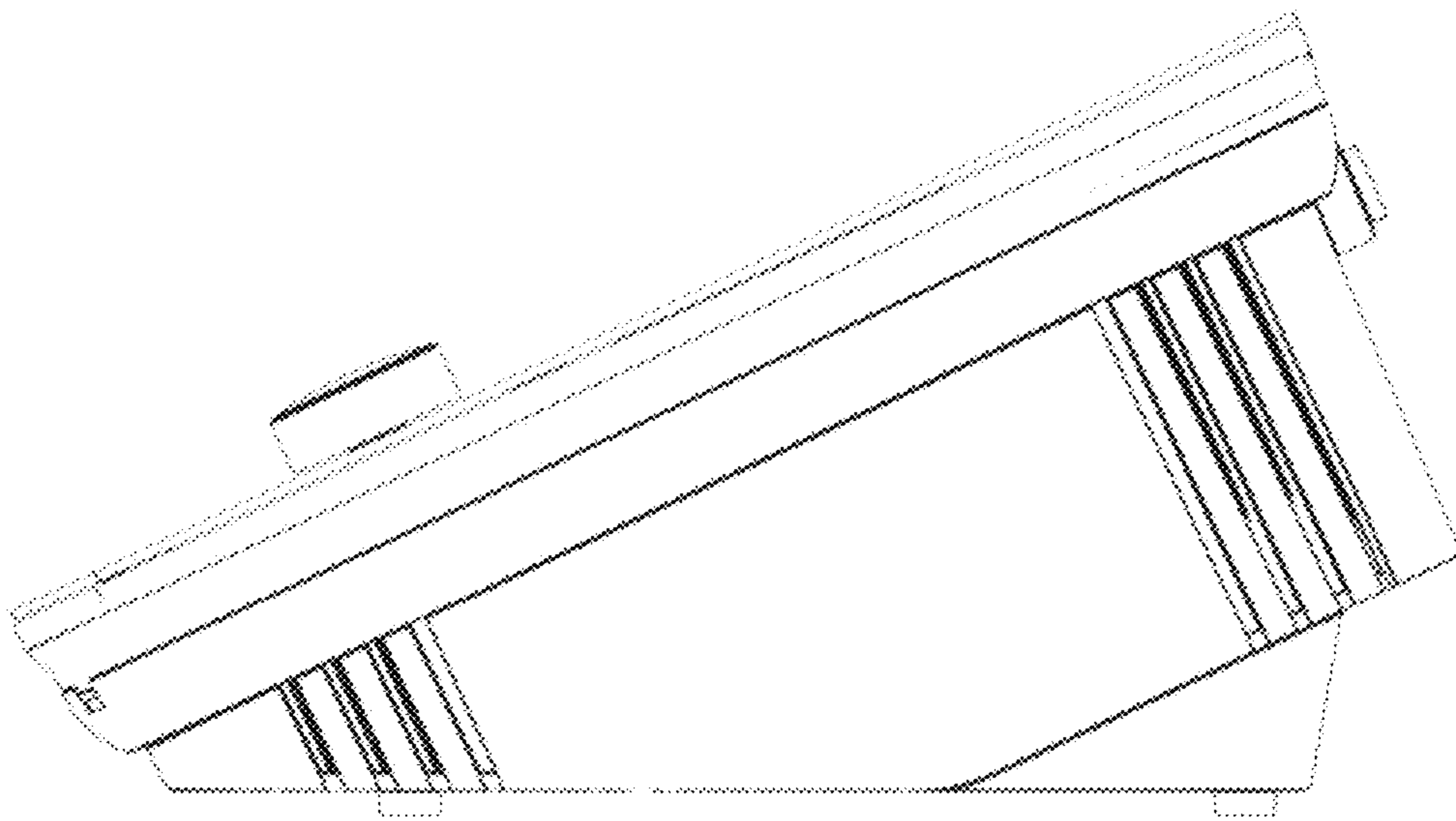


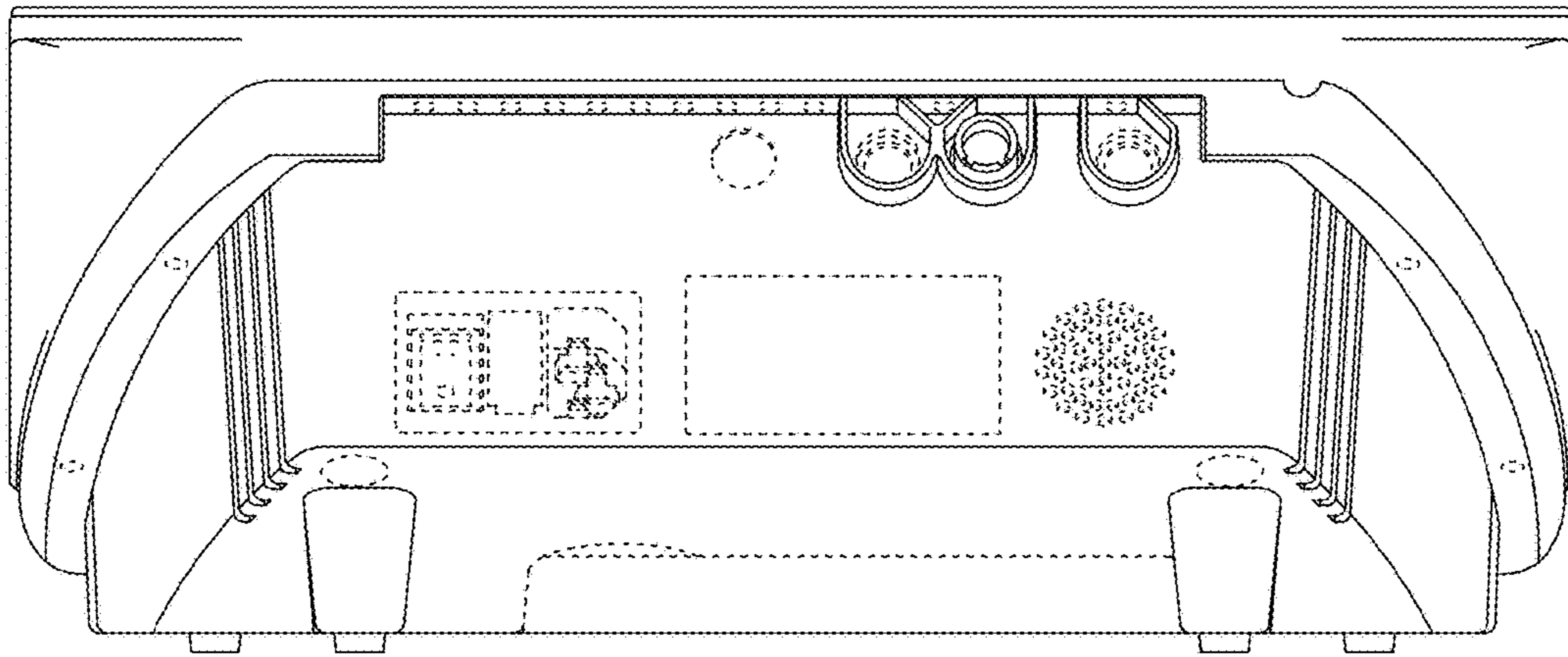
1.2

1.3

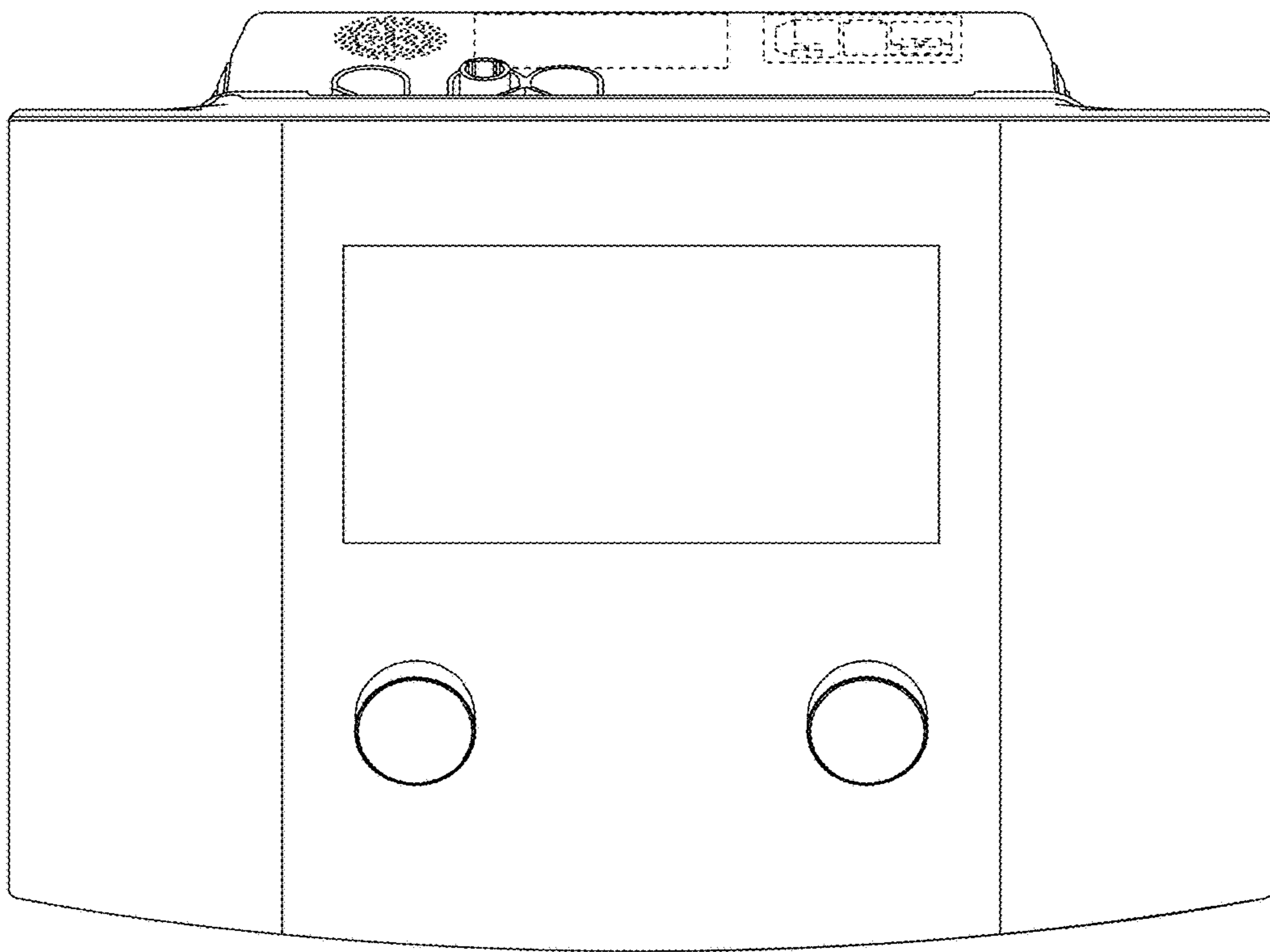


1.4

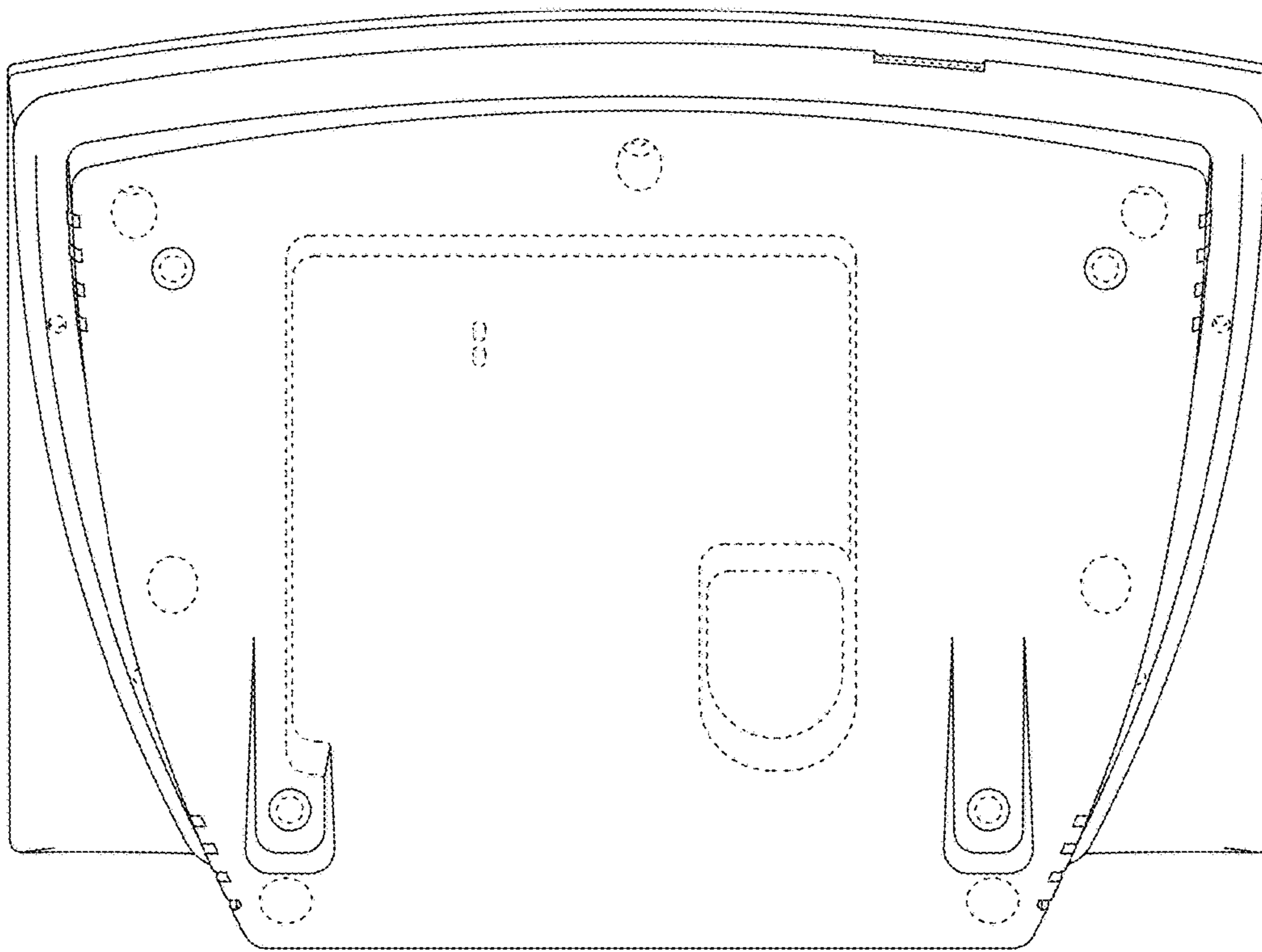




1.5



1.6



1.7