



US00D828567S

(12) **United States Design Patent** (10) **Patent No.:** **US D828,567 S**
Zhou (45) **Date of Patent:** **** Sep. 11, 2018**

(54) **TOOTHBRUSH** D441,861 S * 5/2001 Hafliger D24/111
D778,433 S * 2/2017 Li D24/111
(71) Applicant: **Guangzhou T.K Medical Instrument** D795,419 S * 8/2017 Kohler D24/152
Co., Ltd., Guangzhou (CN)

FOREIGN PATENT DOCUMENTS

(72) Inventor: **Xing Zhou,** Guangzhou (CN) CN 304022124 * 6/2016
CN 304036771 * 7/2016

(73) Assignee: **GUANGZHOU T.K MEDICAL**
INSTRUMENT CO., Guangzhou,
Guangdong (CN)

OTHER PUBLICATIONS

(**) Term: **15 Years** Guangzhou, Certificate of Registration, AU201710084, dated Jan. 31, 2017, 1 pg.
(21) Appl. No.: **29/590,478** Guangzhou, Certificate of Examination, AU201710084, dated Jun. 9, 2017, 2 pgs.
(22) Filed: **Jan. 10, 2017** Guangzhou, Certificate of Registration, CA172480, dated Oct. 12, 2017, 1 pg.
(30) **Foreign Application Priority Data** Guangzhou, Notice of Allowance, TW106300169, dated Jan. 22, 2018, 4 pgs.

Jul. 15, 2016 (CN) 2016 3 0325832 * cited by examiner

(51) **LOC (11) Cl.** **24-02**

(52) **U.S. Cl.**
USPC **D24/176**

(58) **Field of Classification Search**
USPC D24/152, 176-177, 111-113, 108;
D4/108
CPC A61C 15/00; A61C 17/00; A61C 17/005;
A61C 17/02; A61C 17/0202; A61C
17/0205; A61C 17/0211; A61C 17/0217;
A61C 17/028; A61C 17/20; A61C 17/28;
A61C 17/36

See application file for complete search history.

Primary Examiner — Wan Laymon
(74) *Attorney, Agent, or Firm* — Morgan, Lewis & Bockius LLP

(57) **CLAIM**

The ornamental design for a toothbrush, as shown and described.

DESCRIPTION

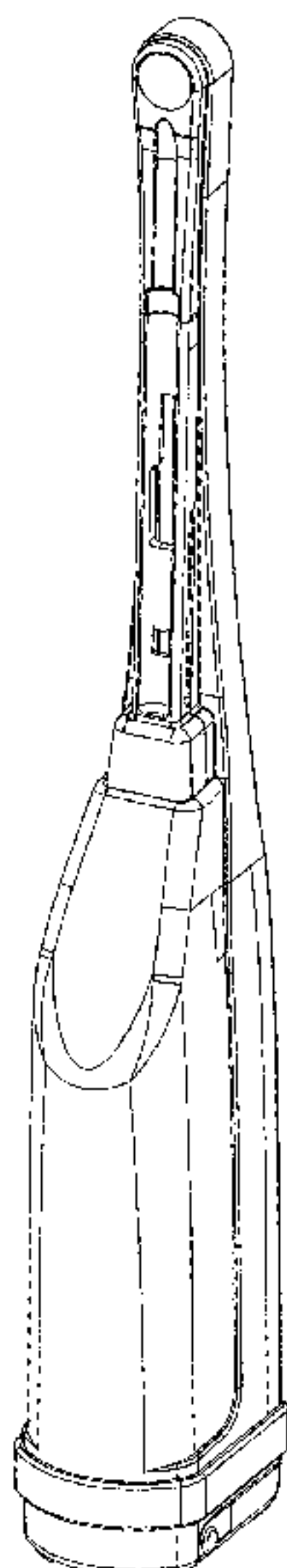
FIG. 1 is a perspective view of a toothbrush;
FIG. 2 is a first side view of the design of FIG. 1;
FIG. 3 is a second side view of the design of FIG. 1;
FIG. 4 is a third side view of the design of FIG. 1;
FIG. 5 is a fourth side view of the design of FIG. 1;
FIG. 6 is a bottom view of the design of FIG. 1; and,
FIG. 7 is a top view of the design of FIG. 1.
The broken lines shown in the drawings represent portions of the toothbrush that form no part of the claimed design.

1 Claim, 7 Drawing Sheets

(56) **References Cited**

U.S. PATENT DOCUMENTS

D346,212 S * 4/1994 Hosl D24/176
D371,242 S * 7/1996 Shimatsu D4/108
D373,631 S * 9/1996 Maeda D24/176
5,634,791 A * 6/1997 Matsuura A61C 17/02
433/87
5,928,505 A * 7/1999 Inakagata A61C 17/02
204/228.1



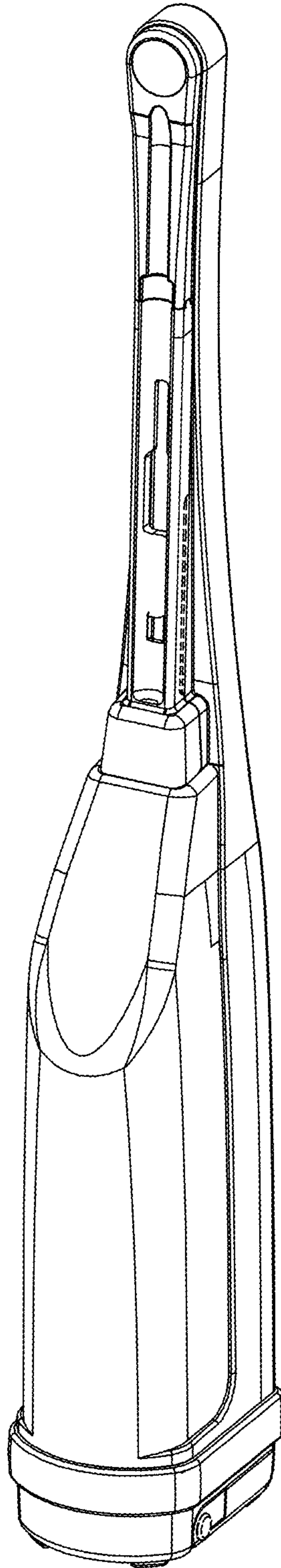


Figure 1

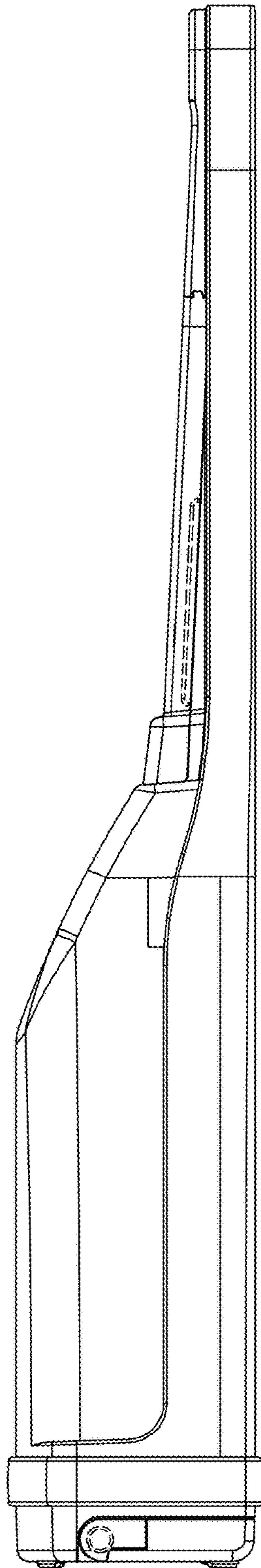


Figure 2

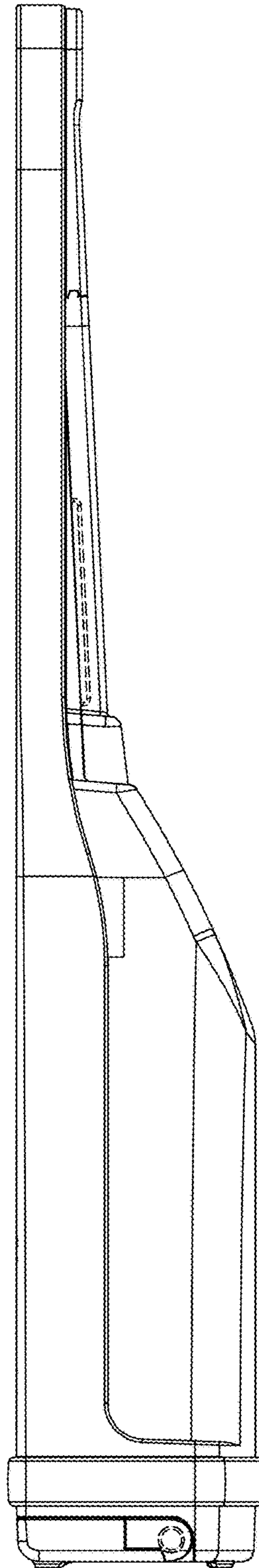


Figure 3

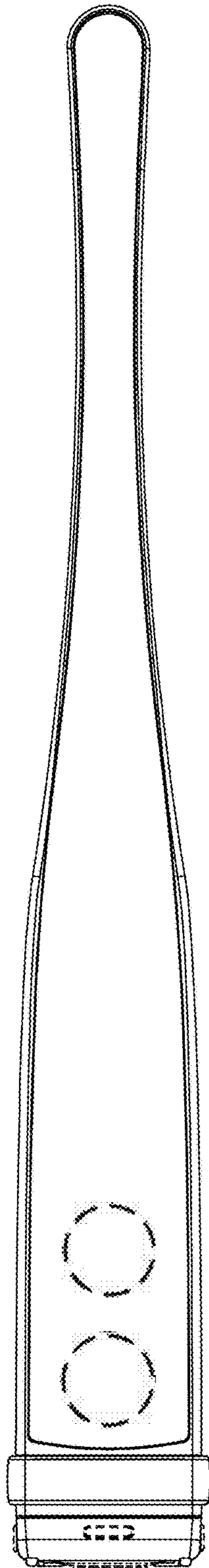


Figure 4

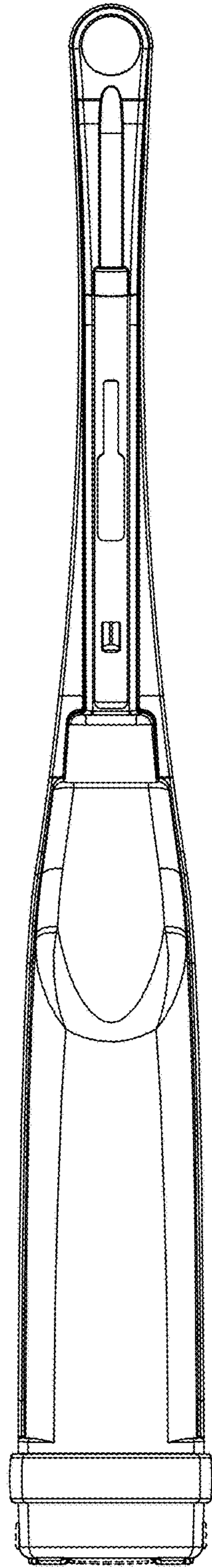


Figure 5

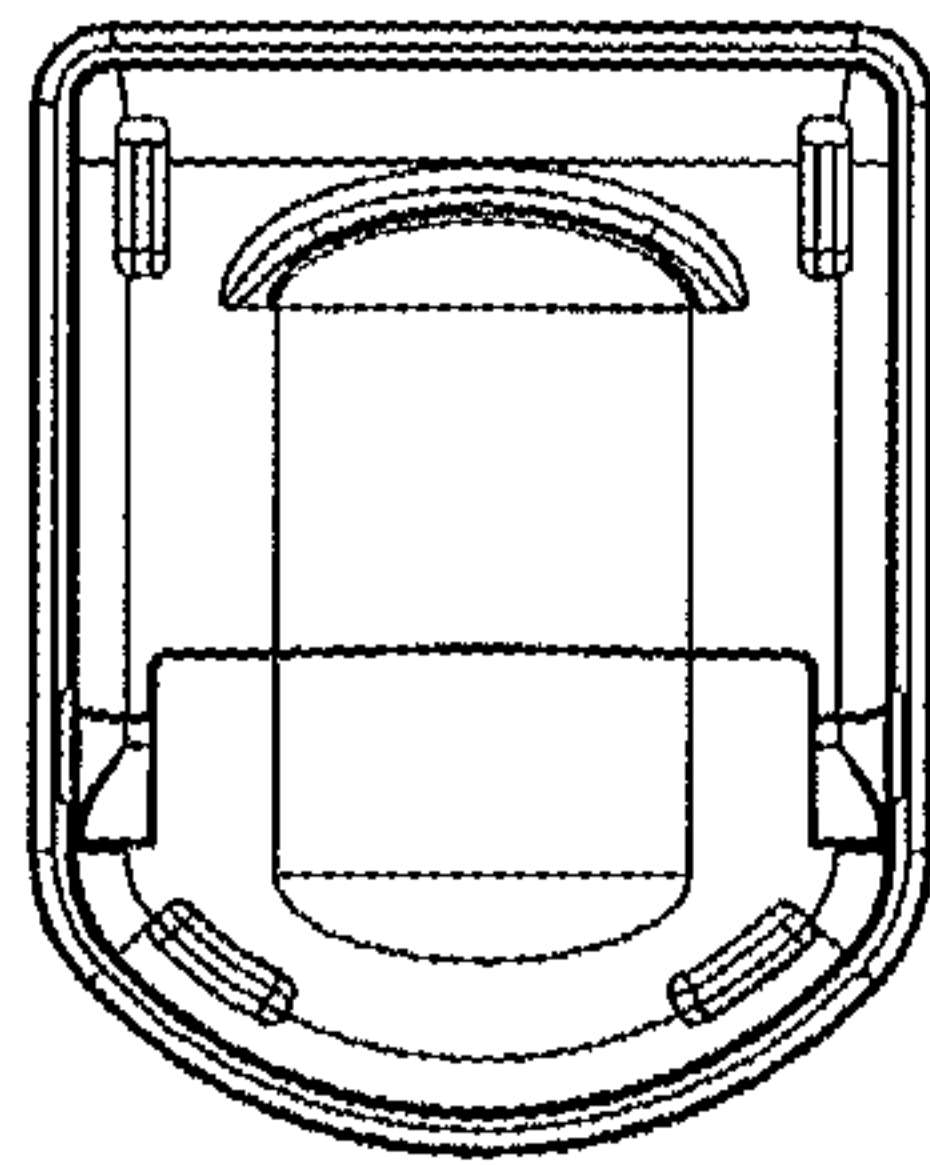


Figure 6

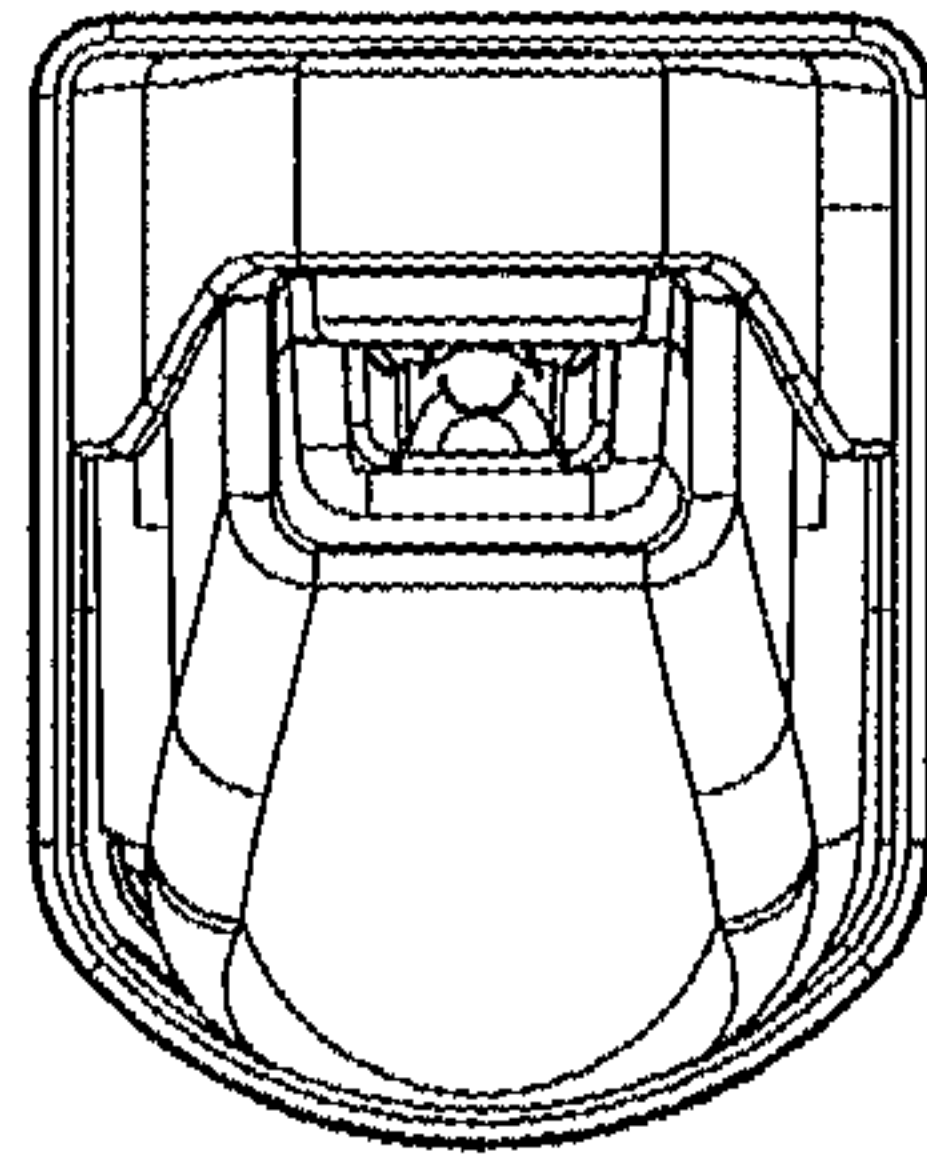


Figure 7